

A

B

C

D

E

F



UNLESS OTHERWISE SPECIFIED:  
DIMENSIONS ARE IN MILLIMETERS  
WEIGHT ARE IN KILOGRAMM

PART NUMBER / DWG NO.:

Swing

	NAME	SIGNATURE	DATE	REVISION
DRAWN			06.04.2010	
APPV'D				

DESCRIPTION:

K110

**Tip**  **Tip Tap**  
**Playgrounds**

TIPTIPTAP OÜ  
Luige keskus,  
Kiili vald,  
75404 Estonia

MATERIAL:

metal

A4

WEIGHT:

SCALE: 1:30

SHEET 1 OF 5

Security area

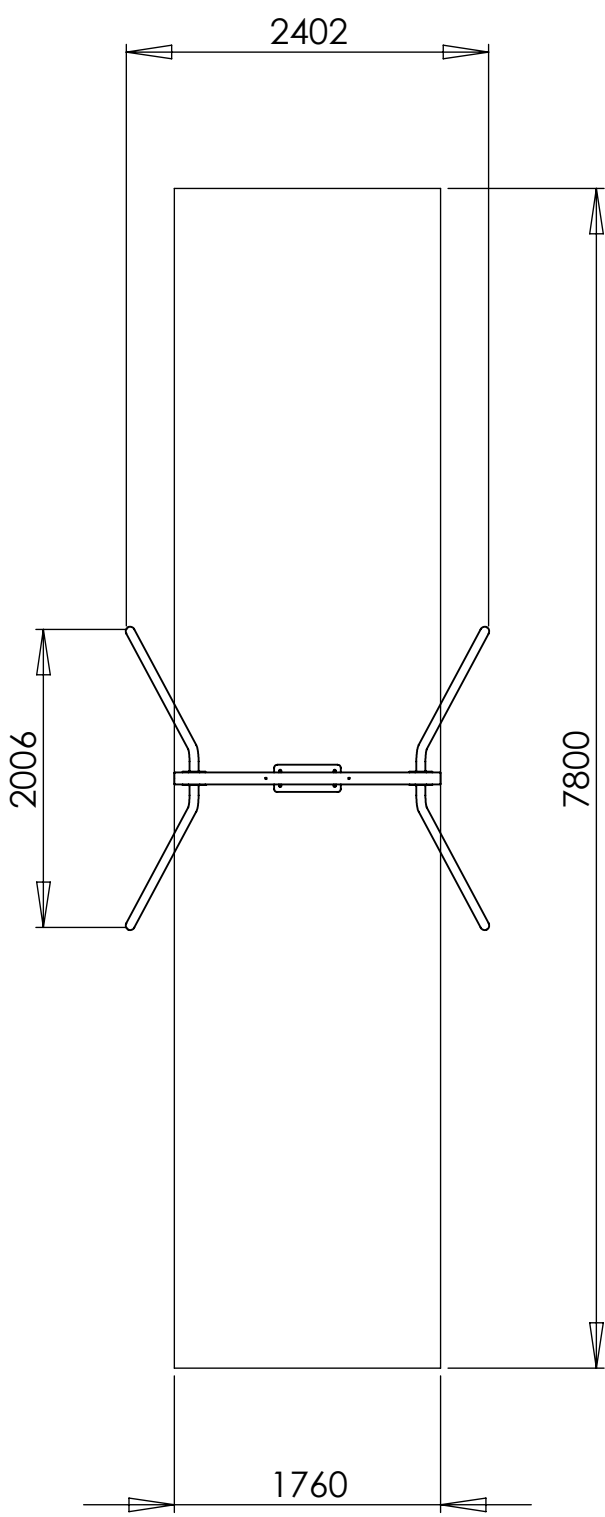
A

B

C

D

E



UNLESS OTHERWISE SPECIFIED:  
 DIMENSIONS ARE IN MILLIMETERS  
 WEIGHT ARE IN KILOGRAMM

	NAME	SIGNATURE	DATE	REVISION
DRAWN			06.04.2010	
APPV'D				

PART NUMBER / DWG NO.:  
 Swing

DESCRIPTION:  
 K110



TIPTIPTAP OÜ  
 Luige keskus,  
 Kiili vald,  
 75404 Estonia

MATERIAL: metal A4

WEIGHT: SCALE: 1:50 SHEET 2 OF 5

F

A

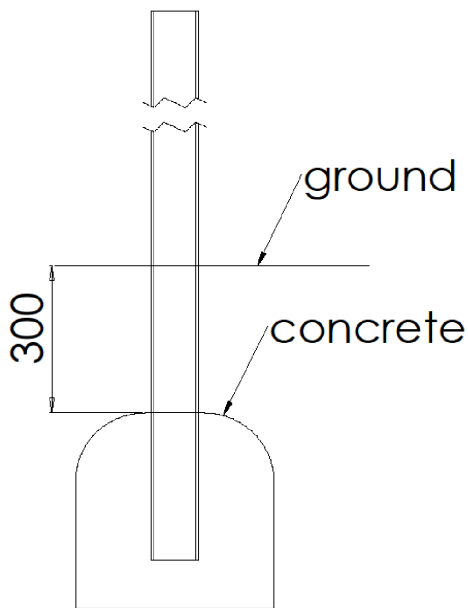
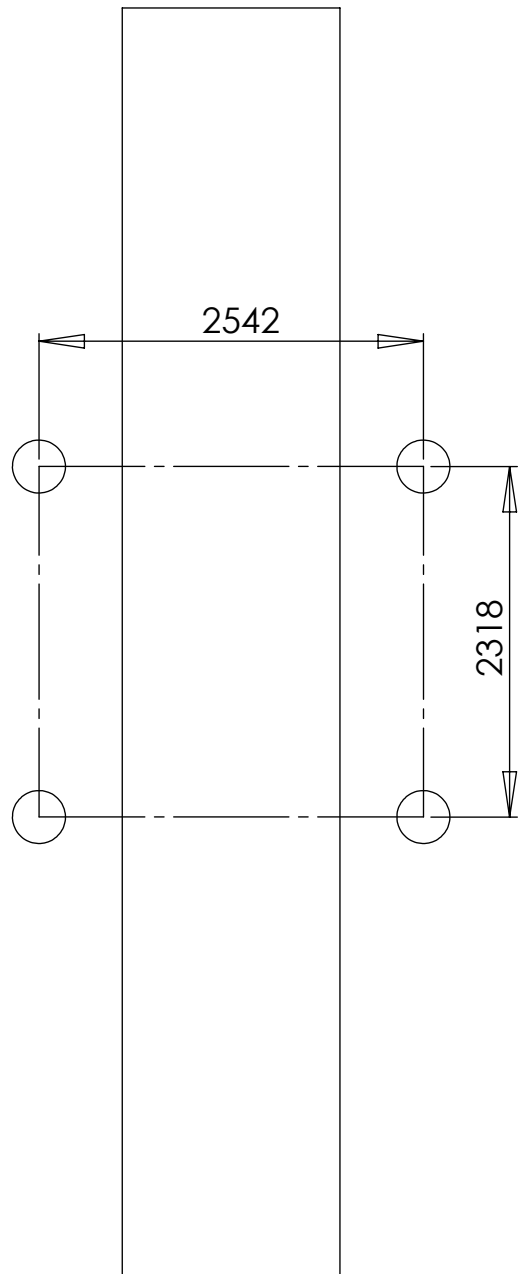
# Foundation

B

C

D

E



UNLESS OTHERWISE SPECIFIED:  
 DIMENSIONS ARE IN MILLIMETERS  
 WEIGHT ARE IN KILOGRAMM

PART NUMBER / DWG NO.:

## Swing

	NAME	SIGNATURE	DATE	REVISION
DRAWN			06.04.2010	
APPV'D				

DESCRIPTION:

### K110

F



TIPTAPTAP OÜ  
 Luige keskus,  
 Kiili vald,  
 75404 Estonia

MATERIAL:

### metal

### A4

WEIGHT:

SCALE: 1:50

SHEET 3 OF 5

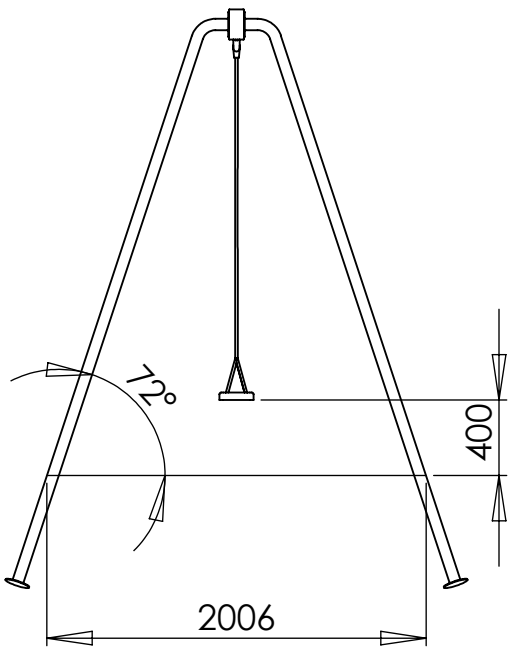
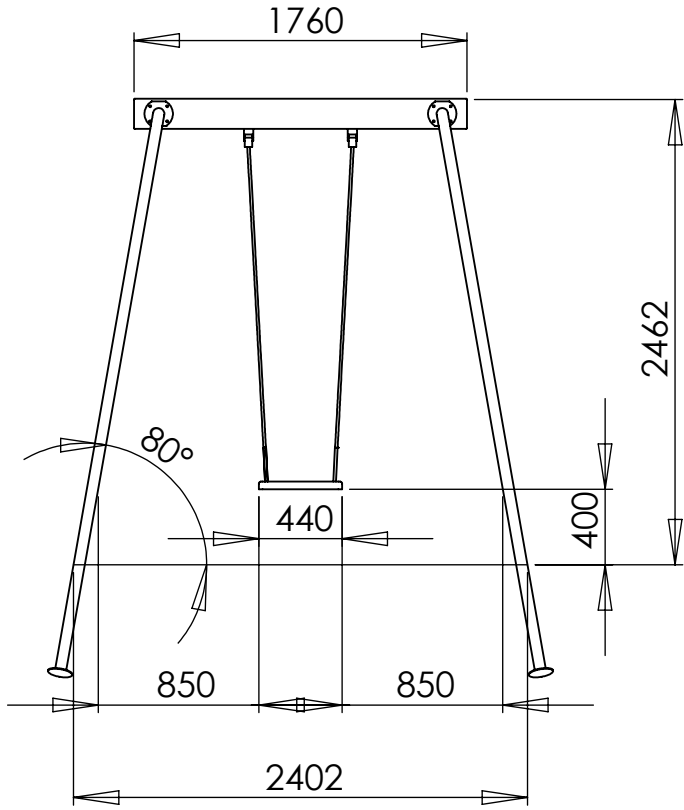
A

B

C

D

E



UNLESS OTHERWISE SPECIFIED:  
 DIMENSIONS ARE IN MILLIMETERS  
 WEIGHT ARE IN KILOGRAMM

PART NUMBER / DWG NO.:  
**Swing**

	NAME	SIGNATURE	DATE	REVISION
DRAWN			06.04.2010	
APPV'D				

DESCRIPTION:  
**K110**

**Tip Tip Tap**  
**Playgrounds**

TIPTIPTAP OÜ  
 Luige keskus,  
 Kiili vald,  
 75404 Estonia

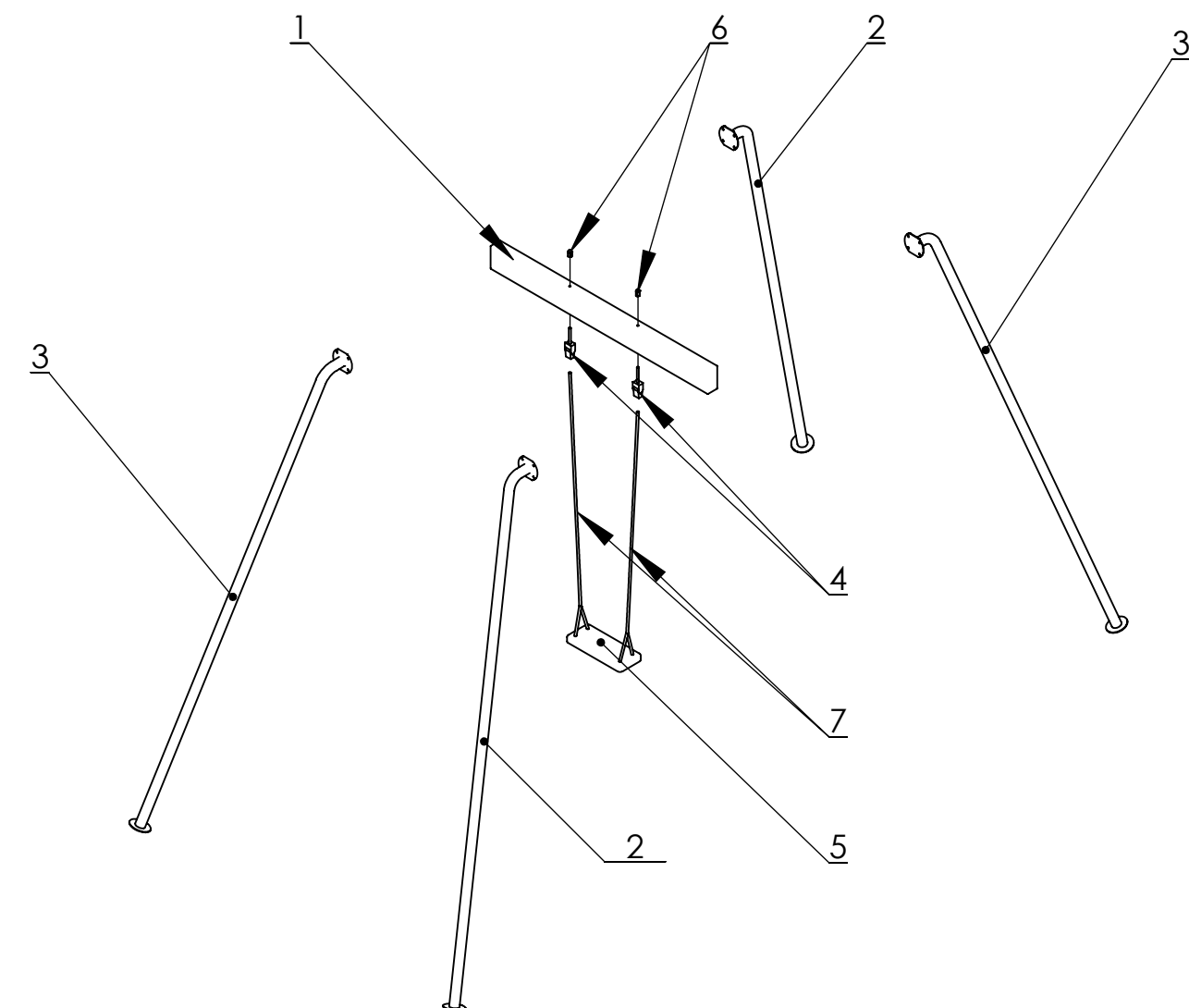
MATERIAL:	metal	A4
WEIGHT:		SCALE: 1:40
		SHEET 4 OF 5

A

B

C

D



ITEM NO.	PART NUMBER	Material	QTY.
1	beam 80x160x1760	galvanized steel, painted	1
2	leg_right	galvanized steel	2
3	leg_left	galvanized steel	2
4	chain fitting	stainless steel	2
5	swing seat	rubber compound with aluminum insert	1
6	chain fitting nut M12	galvanized steel	2
7	seat chain	galvanized steel	2

E

F

UNLESS OTHERWISE SPECIFIED:  
DIMENSIONS ARE IN MILLIMETERS  
WEIGHT ARE IN KILOGRAMM

PART NUMBER / DWG NO.:

Swing

	NAME	SIGNATURE	DATE	REVISION
DRAWN			06.04.2010	
APPV'D				

DESCRIPTION:

K110

MATERIAL:

metal

A4

WEIGHT:

SCALE: 1:40

SHEET 5 OF 5

**Tip Tip Tap**  
Playgrounds

TIPTIPTAP OÜ  
Luige keskus,  
Kiili vald,  
75404 Estonia