

A

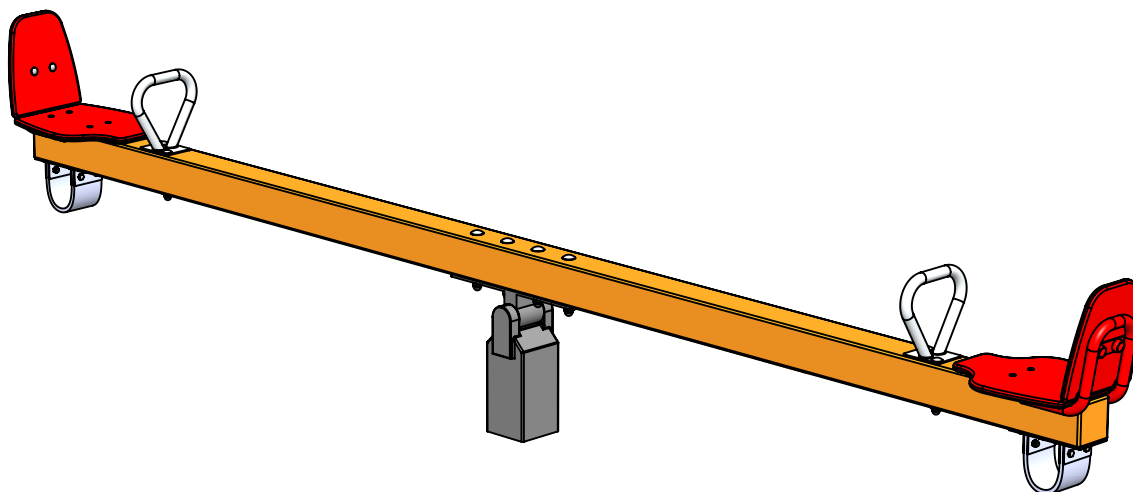
B

C

D

E

F



UNLESS OTHERWISE SPECIFIED:
DIMENSIONS ARE IN MILLIMETERS
WEIGHT ARE IN KILOGRAMM

PART NUMBER / DWG NO.:

K105

	NAME	SIGNATURE	DATE	REVISION
DRAWN	M.Rebase		30.03.2015	
APPV'D				

DESCRIPTION:

Seesaw TODDLER 2 seats with backrest



Tiptaptap OÜ

Tiptaptap OÜ
Veetorni 9,
Jüri alevik, Rae vald,
75301 Harjumaa

MATERIAL:

wood, metal, plastic

A4

WEIGHT:

SCALE: 1:15

SHEET 1 OF 5

safety area

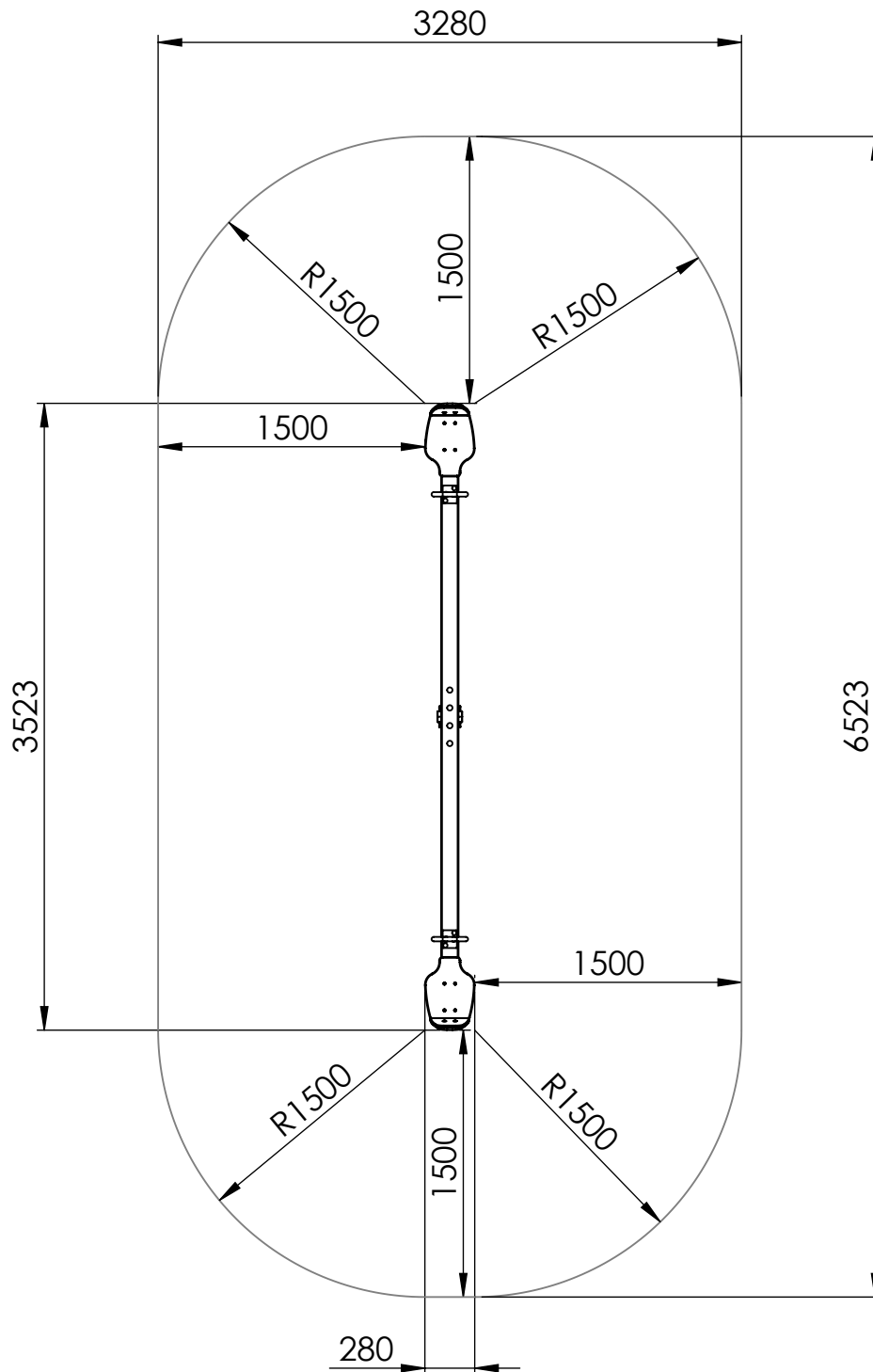
A

B

C

D

E



UNLESS OTHERWISE SPECIFIED:
DIMENSIONS ARE IN MILLIMETERS
WEIGHT ARE IN KILOGRAMM

PART NUMBER / DWG NO.:

K105

	NAME	SIGNATURE	DATE	REVISION
DRAWN	M.Rebase		30.03.2015	
APPV'D				

DESCRIPTION:

Seesaw TODDLER 2 seats with backrest



Tiptap OÜ

Tiptap OÜ
Veetorni 9,
Jüri alevik, Rae vald,
75301 Harjumaa

MATERIAL:

wood, metal, plastic

A4

WEIGHT:

SCALE: 1:40

SHEET 2 OF 5

foundation

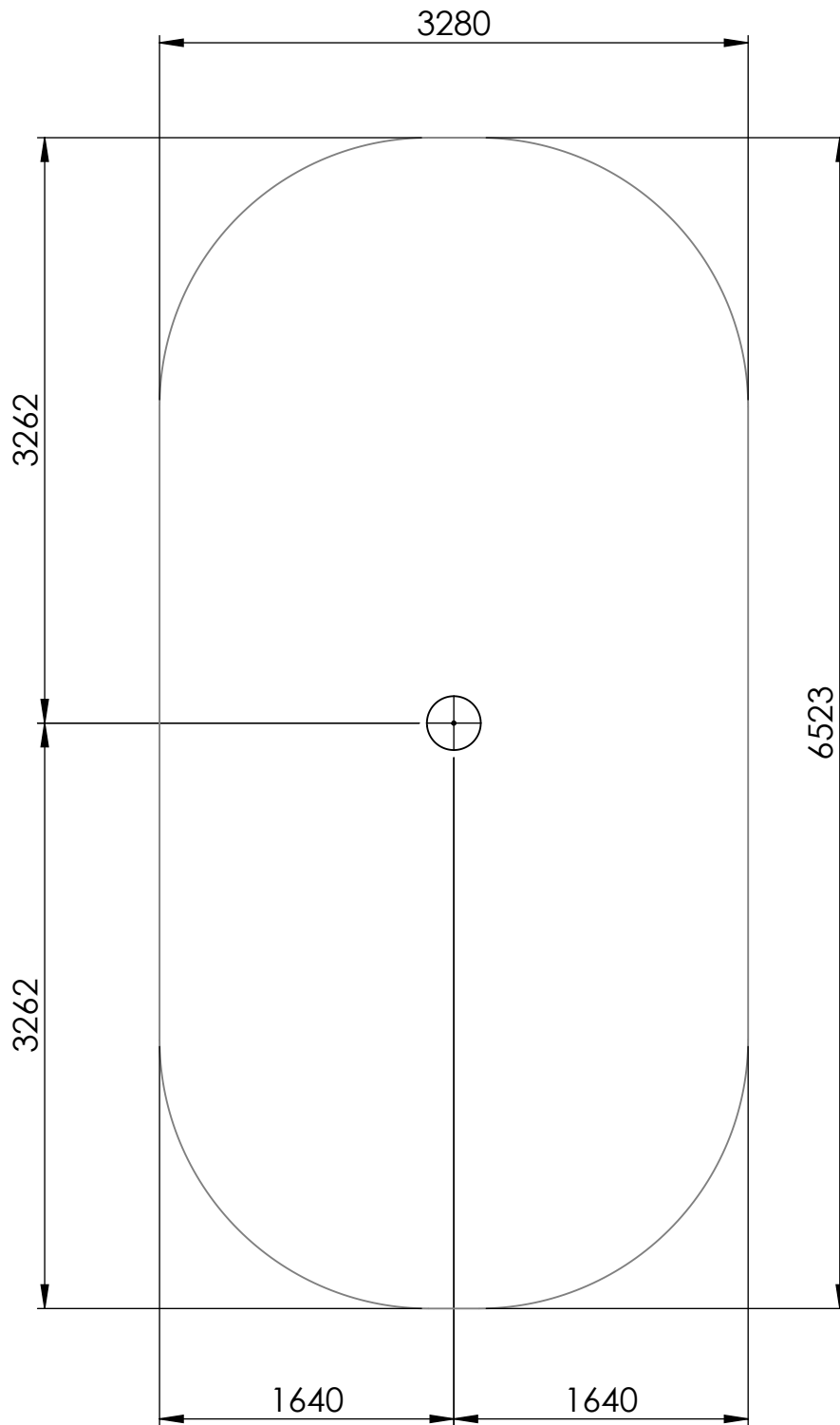
A

B

C

D

E



UNLESS OTHERWISE SPECIFIED:
DIMENSIONS ARE IN MILLIMETERS
WEIGHT ARE IN KILOGRAMM

PART NUMBER / DWG NO.:

K105

	NAME	SIGNATURE	DATE	REVISION
DRAWN	M.Rebase		30.03.2015	
APPV'D				

DESCRIPTION:

Seesaw TODDLER 2 seats with backrest



Tiptap OÜ

Tiptap OÜ
Veetorni 9,
Jüri alevik, Rae vald,
75301 Harjumaa

MATERIAL:

wood, metal, plastic

A4

WEIGHT:

SCALE: 1:40

SHEET 3 OF 5

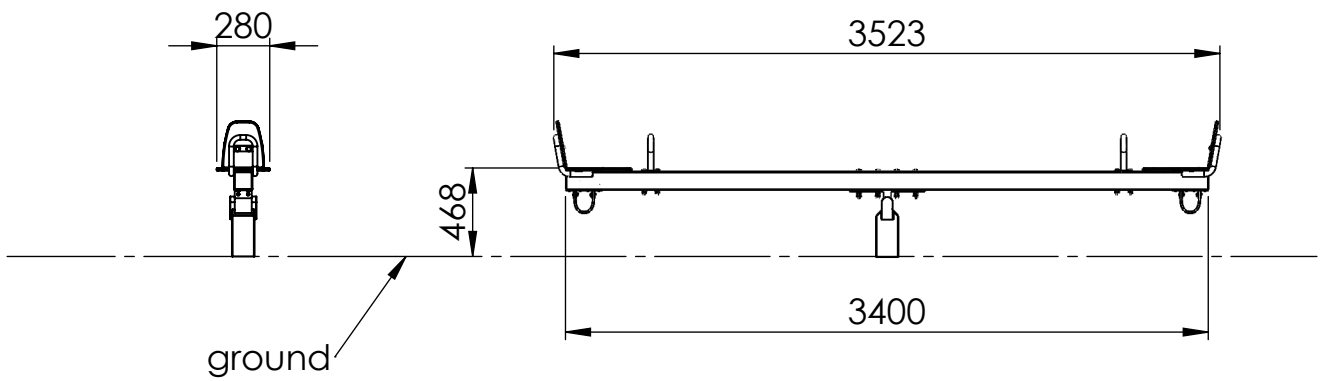
A

B

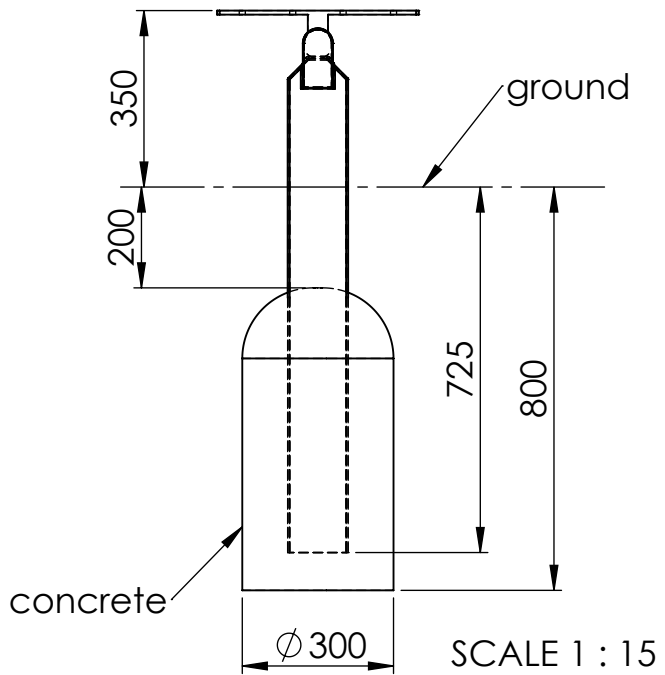
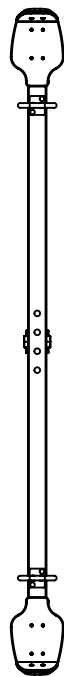
C

D

E



ground



SCALE 1 : 15

UNLESS OTHERWISE SPECIFIED:
 DIMENSIONS ARE IN MILLIMETERS
 WEIGHT ARE IN KILOGRAMM

PART NUMBER / DWG NO.:

K105

	NAME	SIGNATURE	DATE	REVISION
DRAWN	M.Rebase		30.03.2015	
APPV'D				

DESCRIPTION:

Seesaw TODDLER 2 seats with backrest



Tiptaptap OÜ

Tiptaptap OÜ
 Veetorni 9,
 Jüri alevik, Rae vald,
 75301 Harjumaa

MATERIAL:

wood, metal, plastic

A4

WEIGHT:

SCALE: 1:40

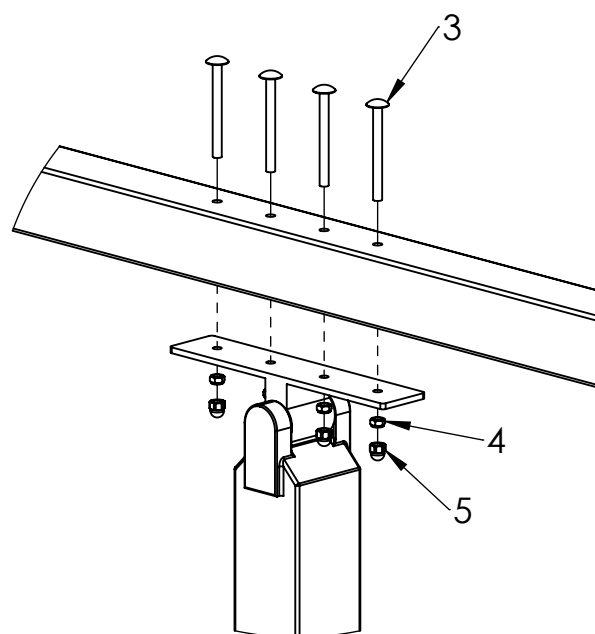
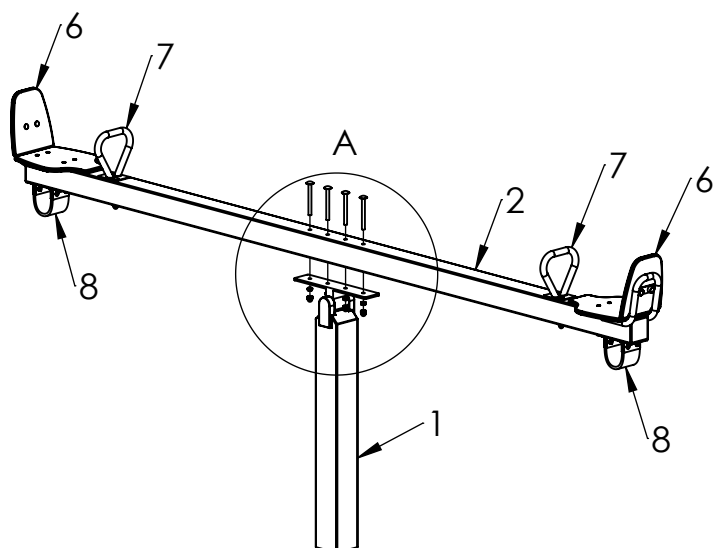
SHEET 4 OF 5

A

B

C

D



DETAIL A
SCALE 1 : 10

ITEM NO.	PART NUMBER	DESCRIPTION	QTY.
1	central console	galvanized steel	1
2	beam 98x98x3400	laminated wood	1
3	bolt DIN603 M12x130	galvanized steel	4
4	nut DIN985 M12	galvanized steel	4
5	domed cap nut DIN1587 M12	galvanized steel	4
6	seat with backrest	painted steel, PE plastic	2
7	handle	stainless steel	2
8	shock-absorber	metal, rubber	2

UNLESS OTHERWISE SPECIFIED:
DIMENSIONS ARE IN MILLIMETERS
WEIGHT ARE IN KILOGRAMM

PART NUMBER / DWG NO.:

K105

	NAME	SIGNATURE	DATE	REVISION
DRAWN	M.Rebase		30.03.2015	
APPV'D				

DESCRIPTION:

Seesaw TODDLER 2 seats with backrest

MATERIAL:

wood, metal, plastic

A4

WEIGHT:

SCALE: 1:30

SHEET 5 OF 5



Tiptiptap OÜ

Tiptiptap OÜ
Veetorni 9,
Jüri alevik, Rae vald,
75301 Harjumaa