

UNLESS OTHERWISE SPECIFIED:
DIMENSIONS ARE IN MILLIMETERS
WEIGHT ARE IN KILOGRAMM

PART NUMBER / DWG NO.:

K104

	NAME	SIGNATURE	DATE	REVISION
DRAWN	M.Rebase		20.10.2014	
APPV'D				

DESCRIPTION:

See-saw TIRTS, 4 seats



Tiptaptap OÜ

Tiptaptap OÜ
Veetorni 9,
Jüri alevik, Rae vald,
75301 Harjumaa

MATERIAL:

wood, metal, plastic

A4

WEIGHT: 48 kg

SCALE: 1:17

SHEET 1 OF 5

safety area

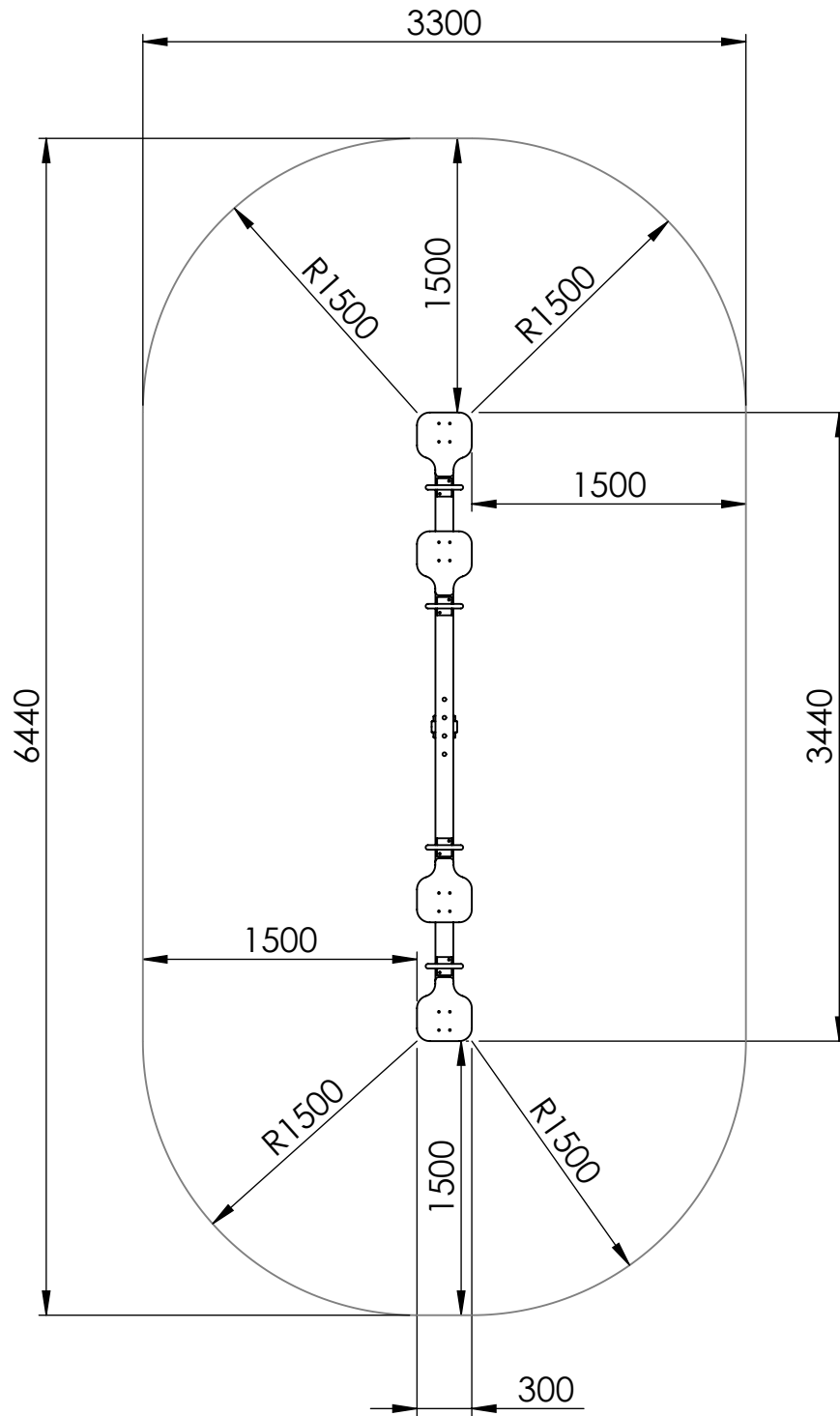
A

B

C

D

E



UNLESS OTHERWISE SPECIFIED:
DIMENSIONS ARE IN MILLIMETERS
WEIGHT ARE IN KILOGRAMM

PART NUMBER / DWG NO.:

K104

	NAME	SIGNATURE	DATE	REVISION
DRAWN	M.Rebase		20.10.2014	
APPV'D				

DESCRIPTION:

See-saw TIRTS, 4 seats



Tiptap OÜ

Tiptap OÜ
Veetorni 9,
Jüri alevik, Rae vald,
75301 Harjumaa

MATERIAL:

wood, metal, plastic

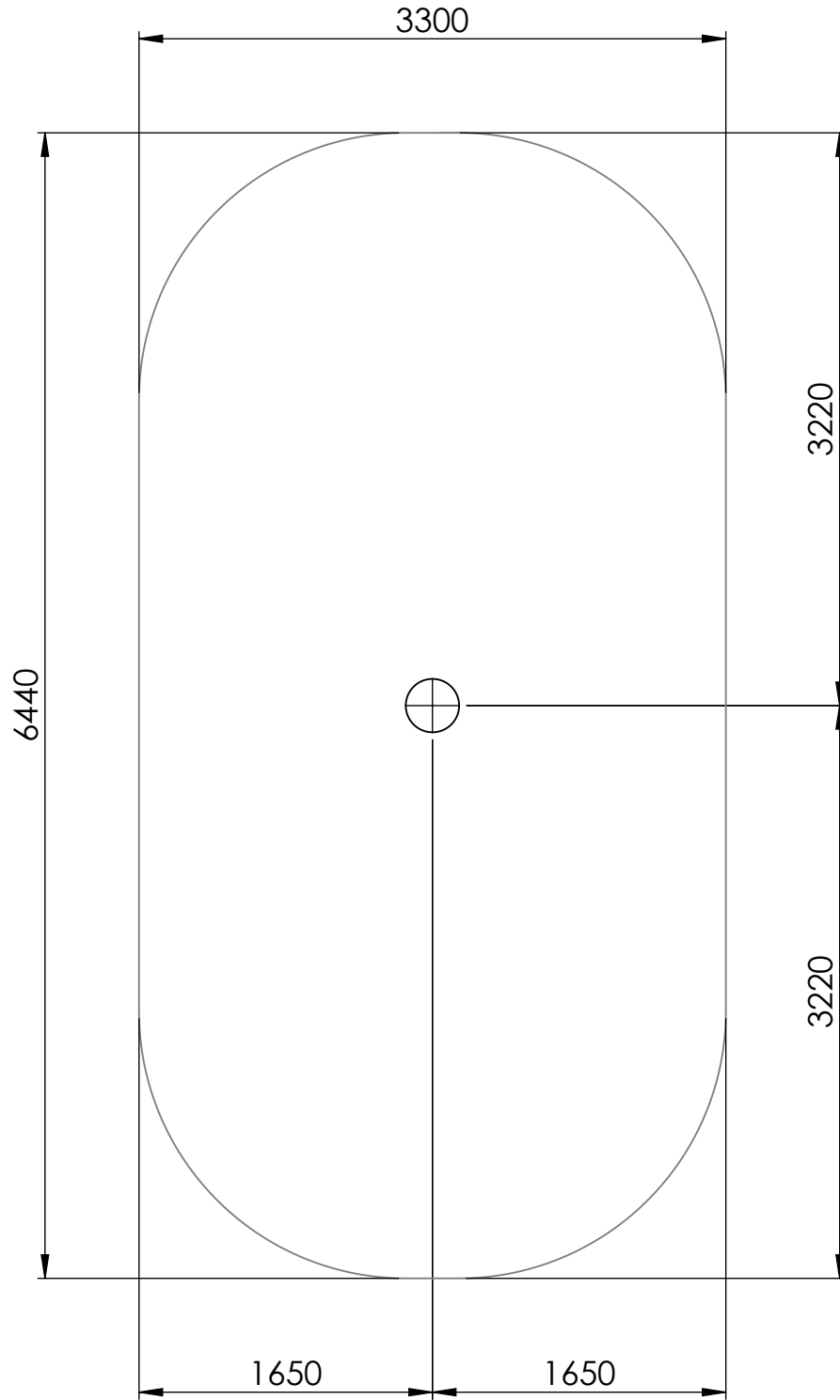
A4

WEIGHT: 48 kg

SCALE: 1:40

SHEET 2 OF 5

foundation



depth of foundation 800mm

UNLESS OTHERWISE SPECIFIED:
DIMENSIONS ARE IN MILLIMETERS
WEIGHT ARE IN KILOGRAMM

PART NUMBER / DWG NO.:

K104

	NAME	SIGNATURE	DATE	REVISION
DRAWN	M.Rebase		20.10.2014	
APPV'D				

DESCRIPTION:

See-saw TIRTS, 4 seats



Tiptap OÜ

Tiptap OÜ
Veetorni 9,
Jüri alevik, Rae vald,
75301 Harjumaa

MATERIAL:

wood, metal, plastic

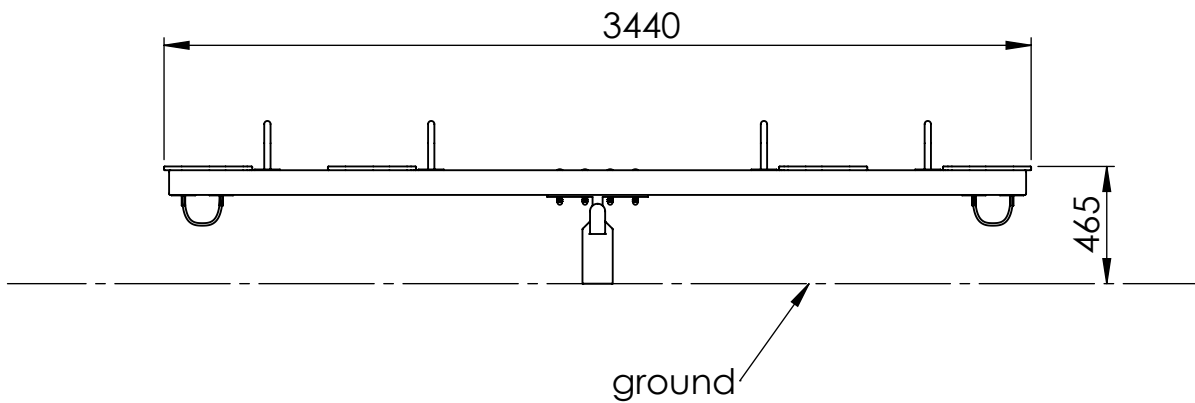
A4

WEIGHT: 48 kg

SCALE: 1:40

SHEET 3 OF 5

A

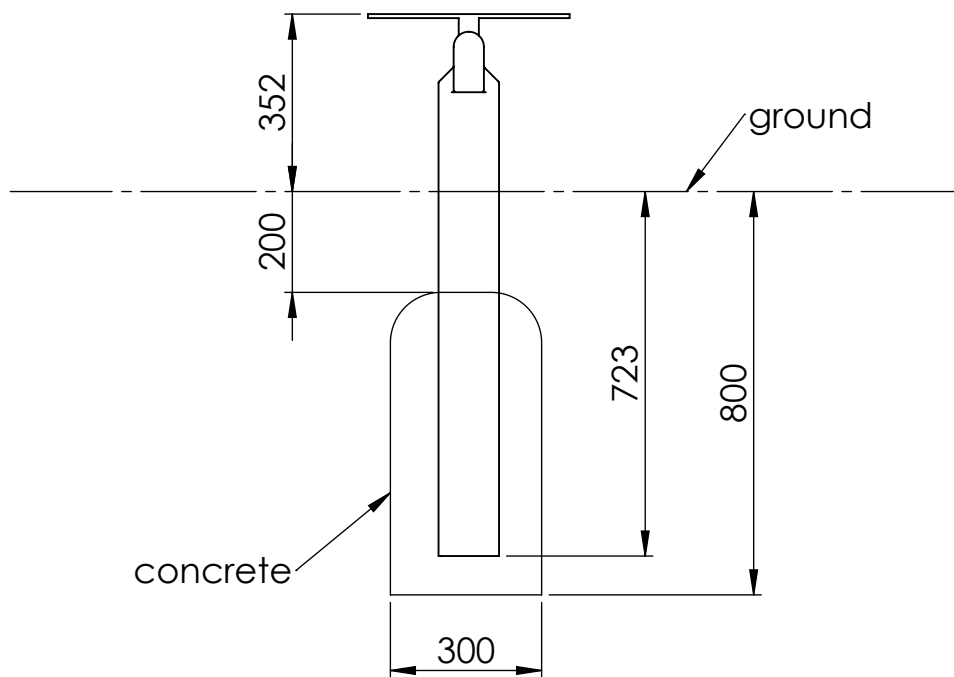


B

C

D

E



UNLESS OTHERWISE SPECIFIED: DIMENSIONS ARE IN MILLIMETERS WEIGHT ARE IN KILOGRAMM				
	NAME	SIGNATURE	DATE	REVISION
DRAWN	M.Rebase		20.10.2014	
APPV'D				

PART NUMBER / DWG NO.: **K104**

DESCRIPTION:
See-saw TIRTS, 4 seats



Tiptiptap OÜ
Veetorni 9,
Jüri alevik, Rae vald,
75301 Harjumaa

MATERIAL: wood, metal, plastic	A4
WEIGHT: 48 kg	SCALE: 1:30
SHEET 4 OF 5	

F

A

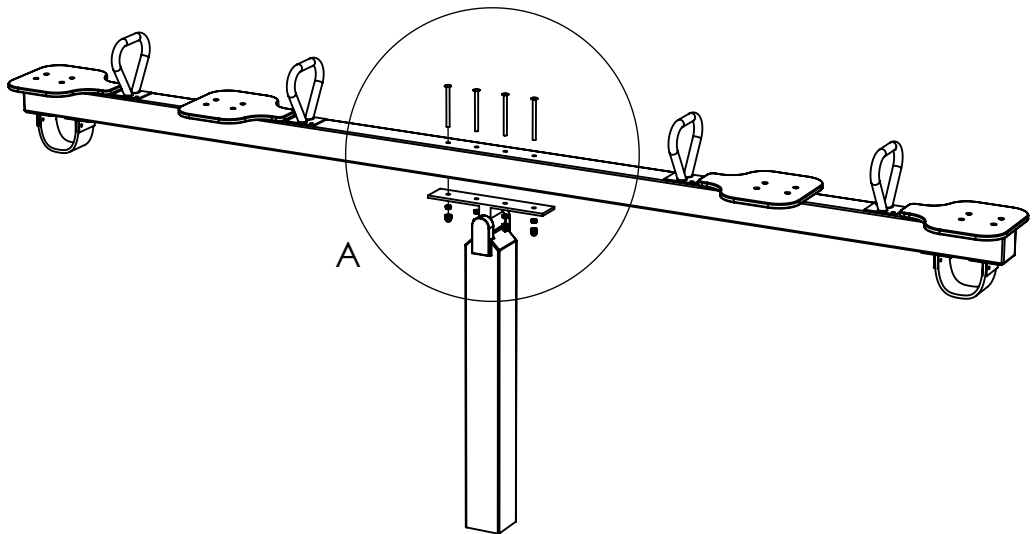
B

C

D

E

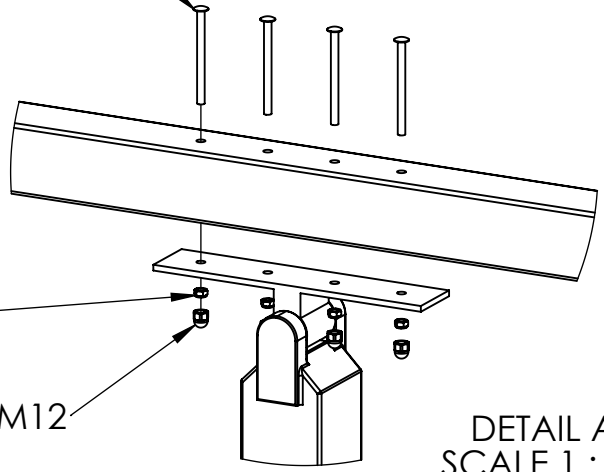
F



bolt DIN603 M12x140

nut DIN985 M12

domed cap nut DIN1587 M12



DETAIL A
SCALE 1 : 10

UNLESS OTHERWISE SPECIFIED: DIMENSIONS ARE IN MILLIMETERS WEIGHT ARE IN KILOGRAMM				
	NAME	SIGNATURE	DATE	REVISION
DRAWN	M.Rebase		20.10.2014	
APPV'D				

PART NUMBER / DWG NO.:	K104
DESCRIPTION:	See-saw TIRTS, 4 seats



Tiptiptap OÜ
Veetorni 9,
Jüri alevik, Rae vald,
75301 Harjumaa

MATERIAL:	wood, metal, plastic	A4
WEIGHT: 48 kg	SCALE: 1:20	SHEET 5 OF 5