

A

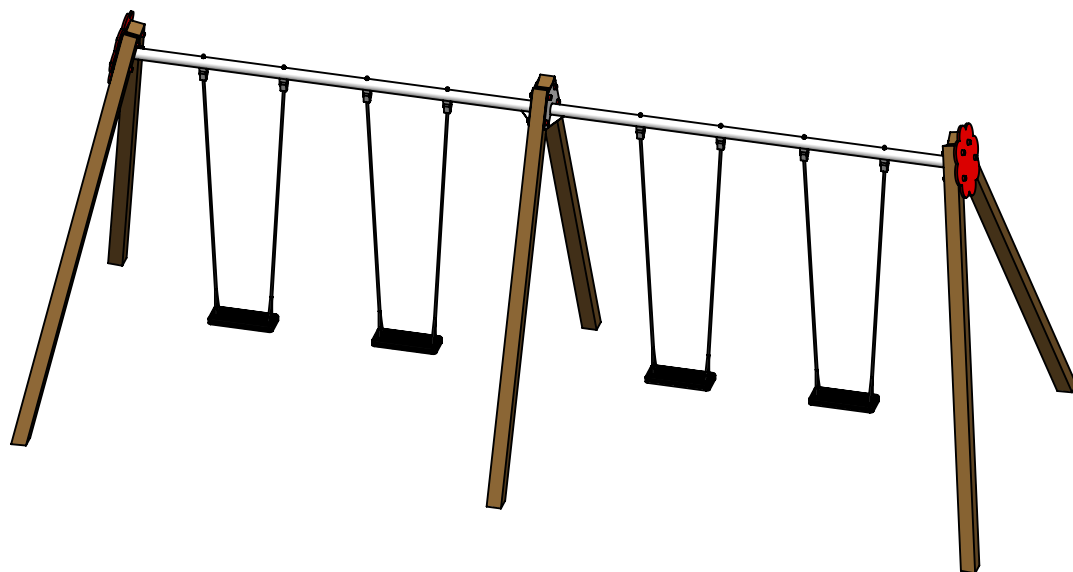
B

C

D

E

F



UNLESS OTHERWISE SPECIFIED:
DIMENSIONS ARE IN MILLIMETERS
WEIGHT ARE IN KILOGRAMM

PART NUMBER / DWG NO.:

K008

	NAME	SIGNATURE	DATE	REVISION
DRAWN	M.Rebase		14.05.2014	
APPV'D				

DESCRIPTION:

Swing construction BELL-FLOWER 4 places



Tiptaptap OÜ

Tiptaptap OÜ
Veetorni 9,
Jüri alevik, Rae vald,
75301 Harjumaa

MATERIAL:

wood, metal, plastic

A4

WEIGHT:

SCALE: 1:50

SHEET 1 OF 8

safety area

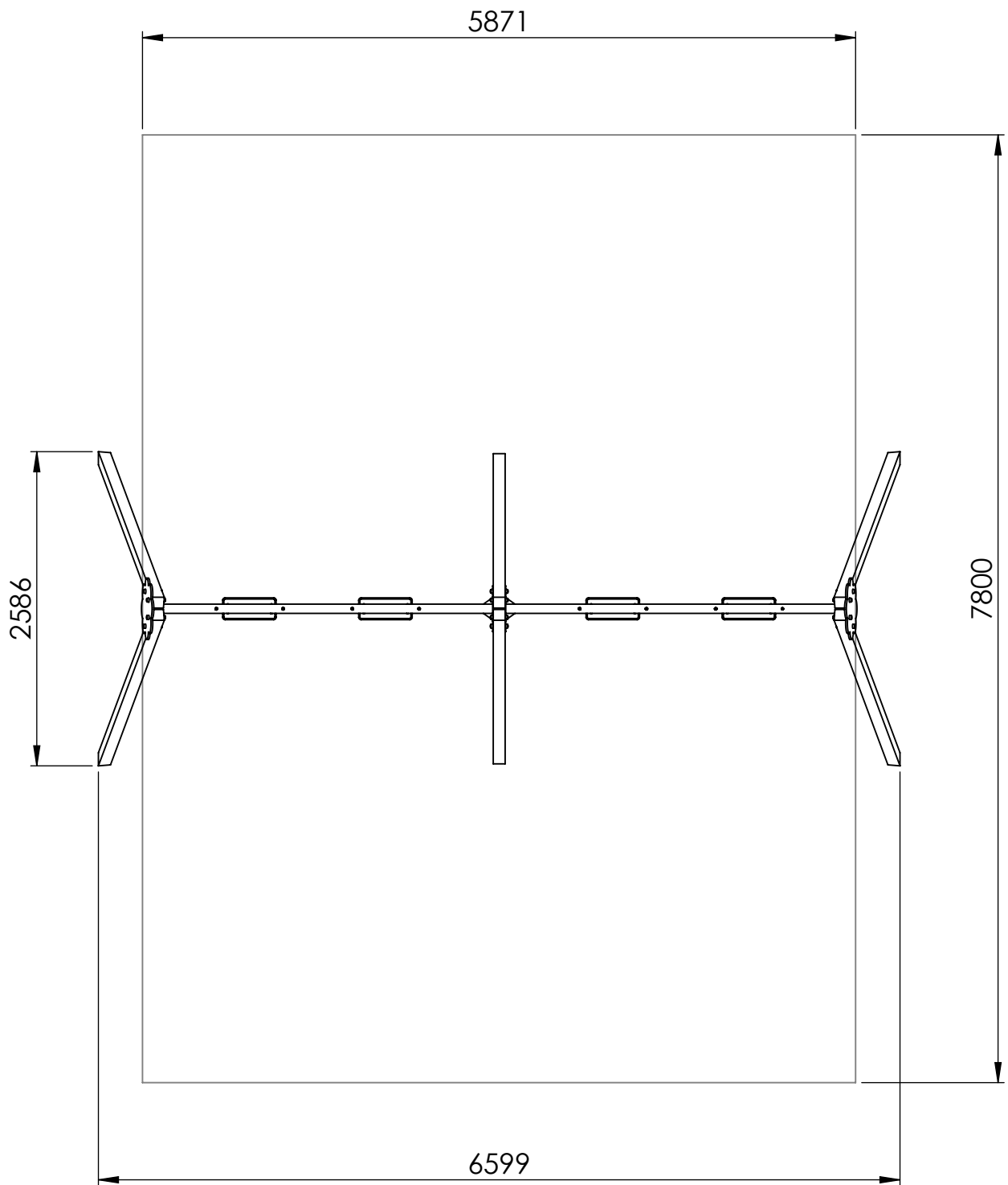
A

B

C

D

E



UNLESS OTHERWISE SPECIFIED:
DIMENSIONS ARE IN MILLIMETERS
WEIGHT ARE IN KILOGRAMM

PART NUMBER / DWG NO.:

K008

	NAME	SIGNATURE	DATE	REVISION
DRAWN	M.Rebase		14.05.2014	
APPV'D				

DESCRIPTION:

Swing construction BELL-FLOWER 4 places

F



Tiptaptap OÜ

Tiptaptap OÜ
Veetorni 9,
Jüri alevik, Rae vald,
75301 Harjumaa

MATERIAL:

wood, metal, plastic

A4

WEIGHT:

SCALE: 1:50

SHEET 2 OF 8

foundation

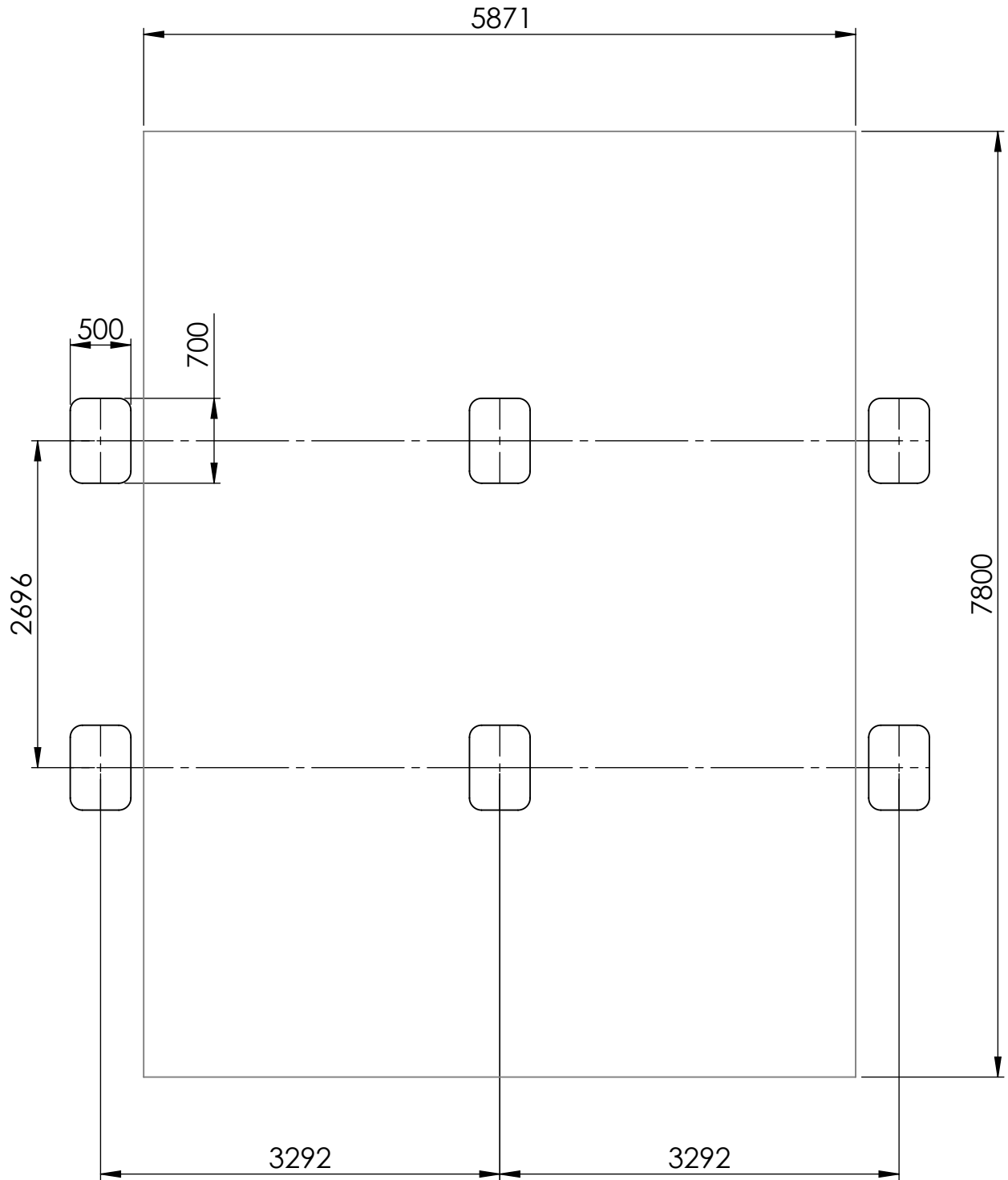
A

B

C

D

E



UNLESS OTHERWISE SPECIFIED:
DIMENSIONS ARE IN MILLIMETERS
WEIGHT ARE IN KILOGRAMM

PART NUMBER / DWG NO.:
K008

	NAME	SIGNATURE	DATE	REVISION
DRAWN	M.Rebase		14.05.2014	
APPV'D				

DESCRIPTION:
Swing construction BELL-FLOWER 4 places



Tiptaptap OÜ
Veetorni 9,
Jüri alevik, Rae vald,
75301 Harjumaa

MATERIAL:	wood, metal, plastic	A4
WEIGHT:	SCALE: 1:50	SHEET 3 OF 8

1

2

3

4

A

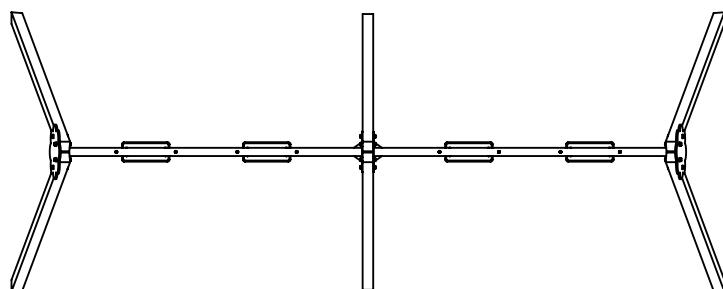
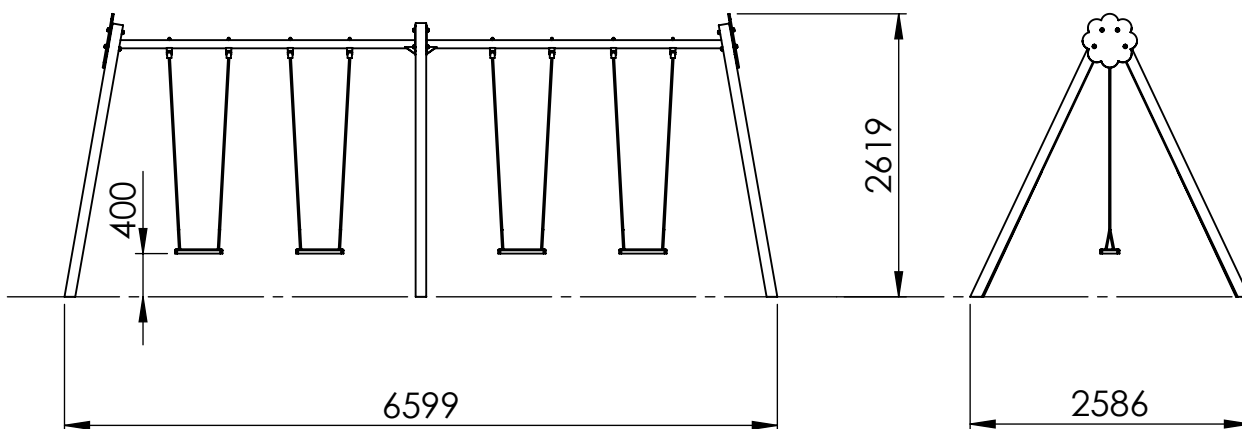
B

C

D

E

F



UNLESS OTHERWISE SPECIFIED:
DIMENSIONS ARE IN MILLIMETERS
WEIGHT ARE IN KILOGRAMM

PART NUMBER / DWG NO.:

K008

	NAME	SIGNATURE	DATE	REVISION
DRAWN	M.Rebase		14.05.2014	
APPV'D				

DESCRIPTION:

Swing construction BELL-FLOWER 4 places



Tiptaptap OÜ

Tiptaptap OÜ
Veetorni 9,
Jüri alevik, Rae vald,
75301 Harjumaa

MATERIAL:

wood, metal, plastic

A4

WEIGHT:

SCALE: 1:70

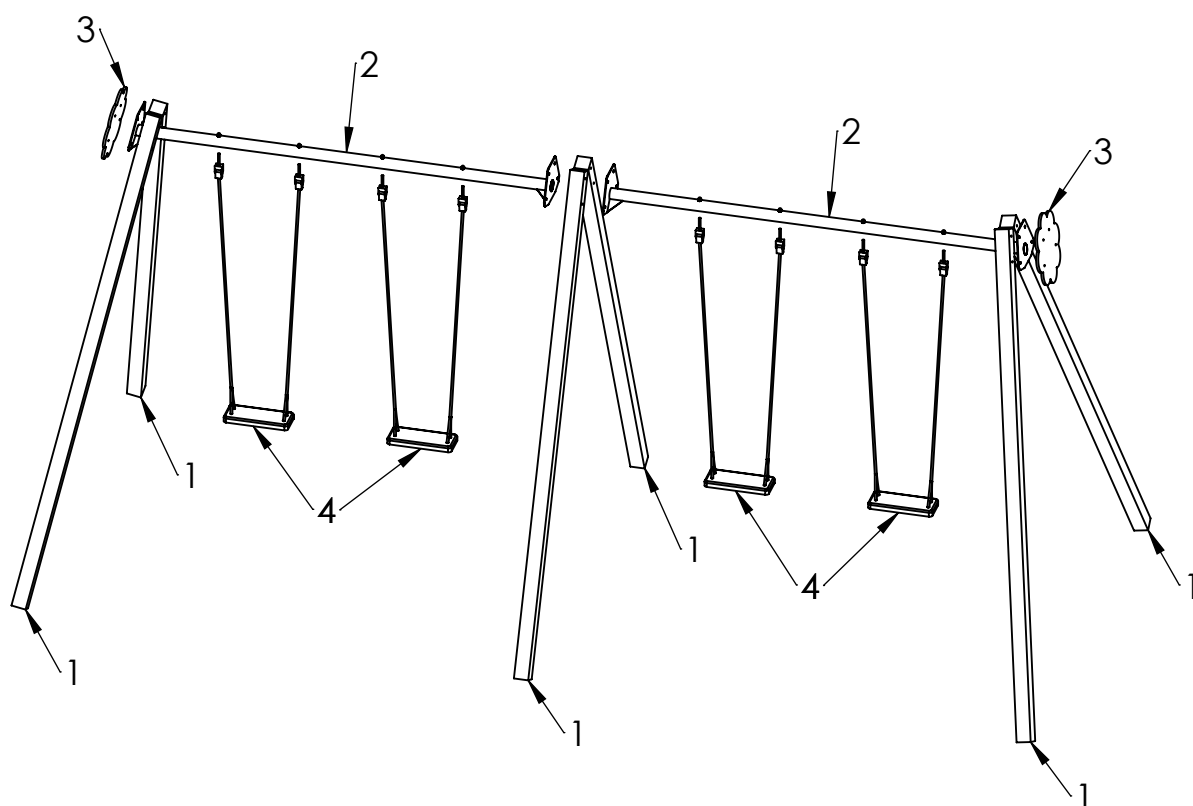
SHEET 4 OF 8

A

B

C

D



E

F

ITEM NO.	PART NUMBER	DESCRIPTION	QTY.
1	post 98x98x3400	laminated wood	6
2	beam 76x2860	galvanized steel	2
3	side fixture	plastic	2
4	seat complete with fittings	rubber compound with aluminium insert	4

UNLESS OTHERWISE SPECIFIED:
DIMENSIONS ARE IN MILLIMETERS
WEIGHT ARE IN KILOGRAMM

PART NUMBER / DWG NO.:

K008

	NAME	SIGNATURE	DATE	REVISION
DRAWN	M.Rebase		14.05.2014	
APPV'D				

DESCRIPTION:

Swing construction BELL-FLOWER 4 places

MATERIAL:

wood, metal, plastic

A4

WEIGHT:

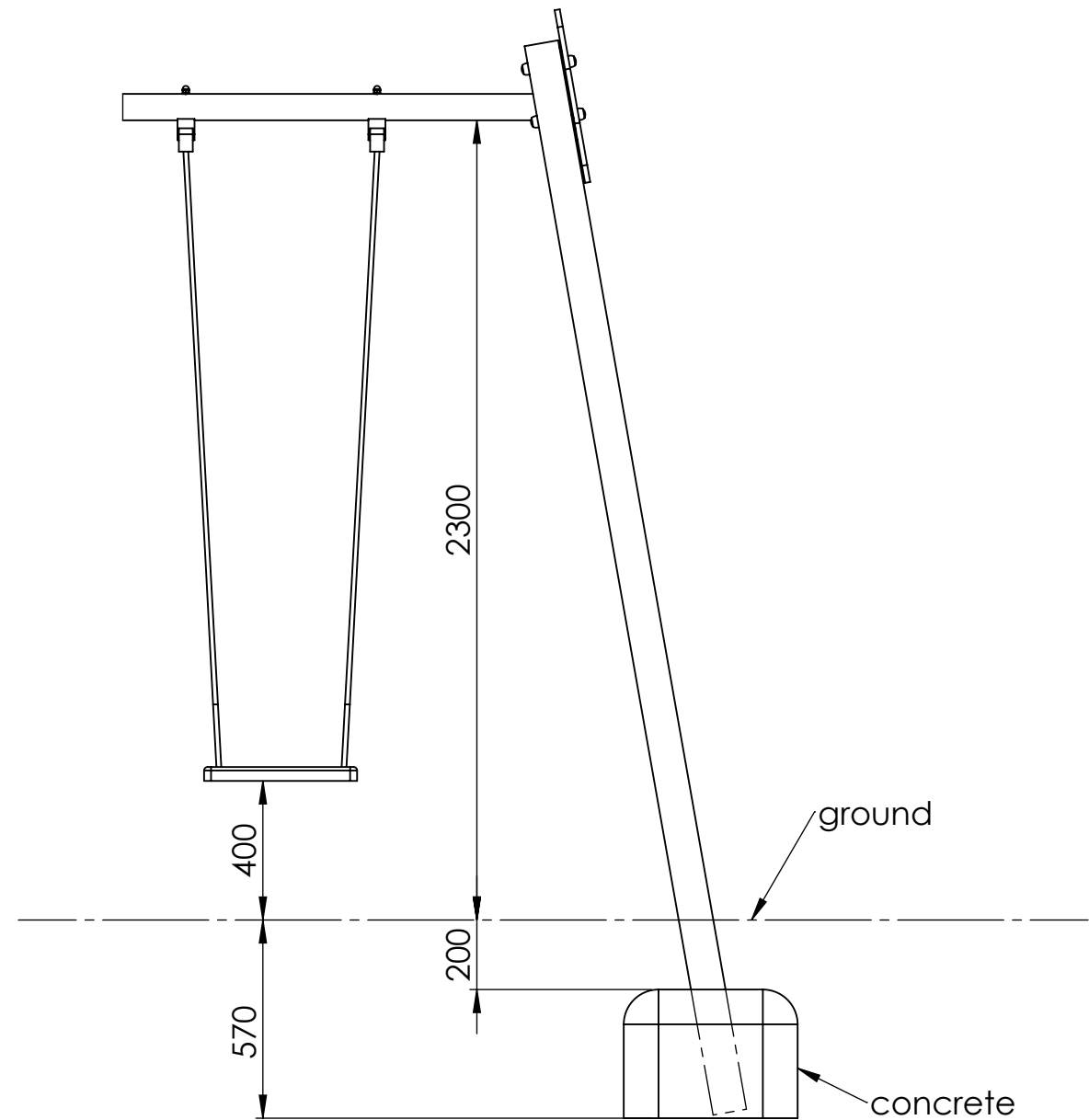
SCALE: 1:50

SHEET 5 OF 8



Tiptaptap OÜ

Tiptaptap OÜ
Veetorni 9,
Jüri alevik, Rae vald,
75301 Harjumaa



UNLESS OTHERWISE SPECIFIED:
DIMENSIONS ARE IN MILLIMETERS
WEIGHT ARE IN KILOGRAMM

PART NUMBER / DWG NO.:

K008

	NAME	SIGNATURE	DATE	REVISION
DRAWN	M.Rebase		14.05.2014	
APPV'D				

DESCRIPTION:

Swing construction BELL-FLOWER 4 places



Tiptiptap OÜ

Tiptiptap OÜ
Veetorni 9,
Jüri alevik, Rae vald,
75301 Harjumaa

MATERIAL:

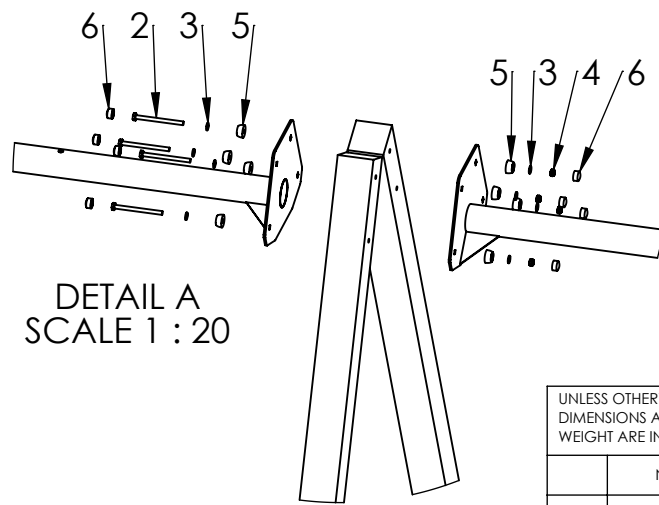
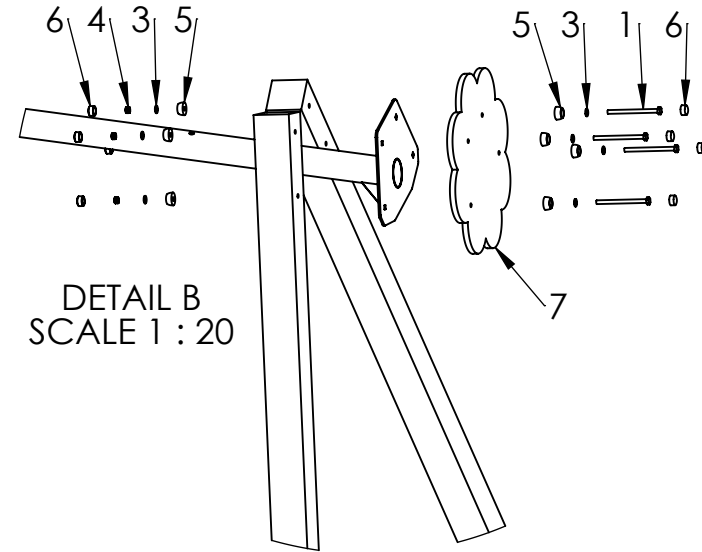
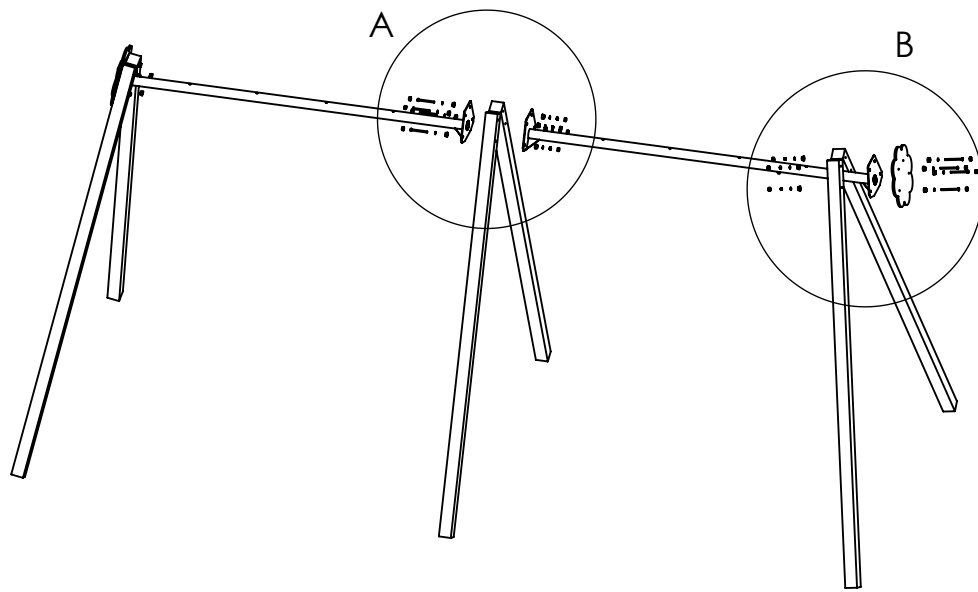
wood, metal, plastic

A4


WEIGHT:

SCALE: 1:100

SHEET 6 OF 8



ITEM NO.	PART NUMBER
1	bolt DIN931 M10x140
2	bolt DIN931 M10x130
3	washer M10
4	nut DIN985 M10
5	nut cover M10
6	nut cover cap M10
7	side fixture

UNLESS OTHERWISE SPECIFIED: DIMENSIONS ARE IN MILLIMETERS WEIGHT ARE IN KILOGRAMM					PART NUMBER / DWG NO.: K008	
	NAME	SIGNATURE	DATE	REVISION	DESCRIPTION: Swing construction BELL-FLOWER 4 places	
DRAWN	M.Rebase		14.05.2014			
APPV'D						
 Tiptaptap OÜ Tiptaptap OÜ Veetorni 9, Jüri alevik, Rae vald, 75301 Harjumaa					MATERIAL:	wood, metal, plastic
					WEIGHT:	

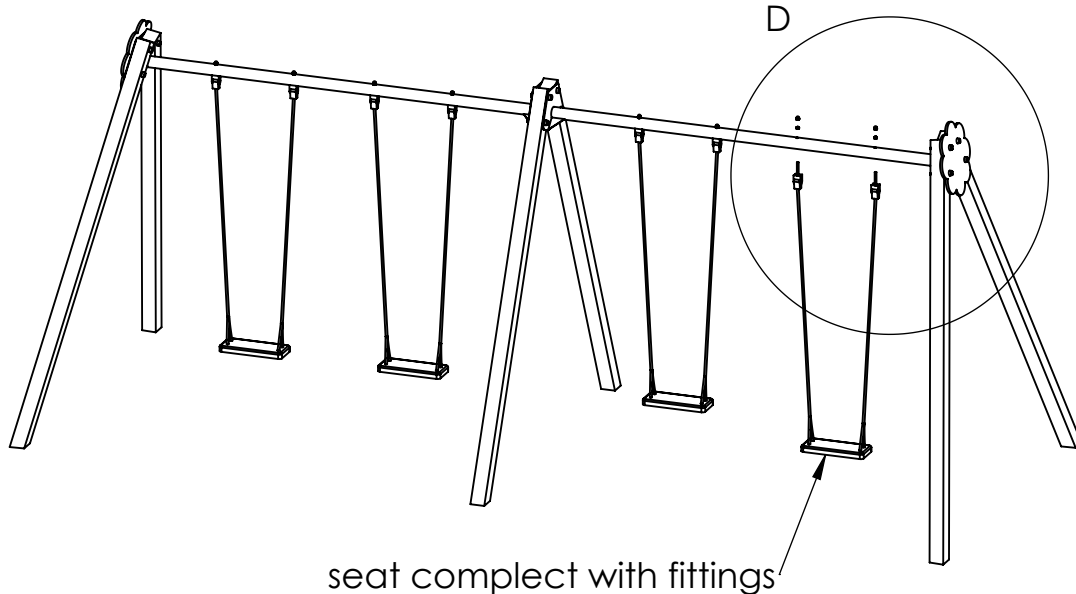
A

B

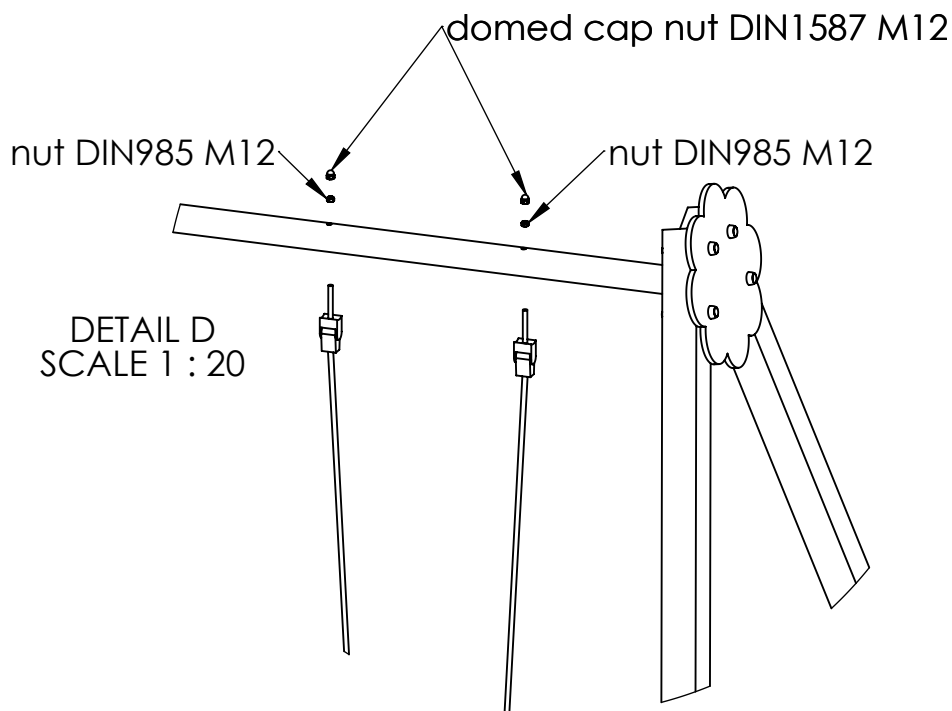
C

D

E



seat complet with fittings



UNLESS OTHERWISE SPECIFIED:
DIMENSIONS ARE IN MILLIMETERS
WEIGHT ARE IN KILOGRAMM

PART NUMBER / DWG NO.:

K008

	NAME	SIGNATURE	DATE	REVISION
DRAWN	M.Rebase		14.05.2014	
APPV'D				

DESCRIPTION:

Swing construction BELL-FLOWER 4 places



Tiptaptap OÜ

Tiptaptap OÜ
Veetorni 9,
Jüri alevik, Rae vald,
75301 Harjumaa

MATERIAL:

wood, metal, plastic

A4

WEIGHT:

SCALE: 1:50

SHEET 8 OF 8