

A

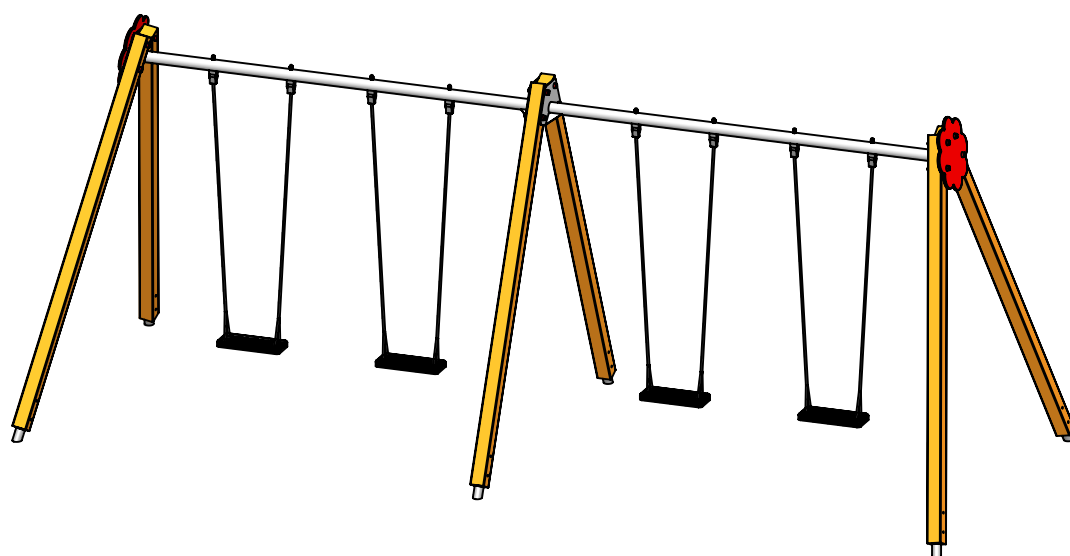
B

C

D

E

F



UNLESS OTHERWISE SPECIFIED:
DIMENSIONS ARE IN MILLIMETERS
WEIGHT ARE IN KILOGRAMM

PART NUMBER / DWG NO.:

K008 Y

	NAME	SIGNATURE	DATE	REVISION
DRAWN	M.Rebase		26.08.2015	
APPV'D				

DESCRIPTION:

Swing construction BELL-FLOWER 4 places



Tiptaptap OÜ

Tiptaptap OÜ
Veetorni 9,
Jüri alevik, Rae vald,
75301 Harjumaa

MATERIAL:

wood, metal, plastic

A4

WEIGHT:

SCALE: 1:50

SHEET 1 OF 9

safety area

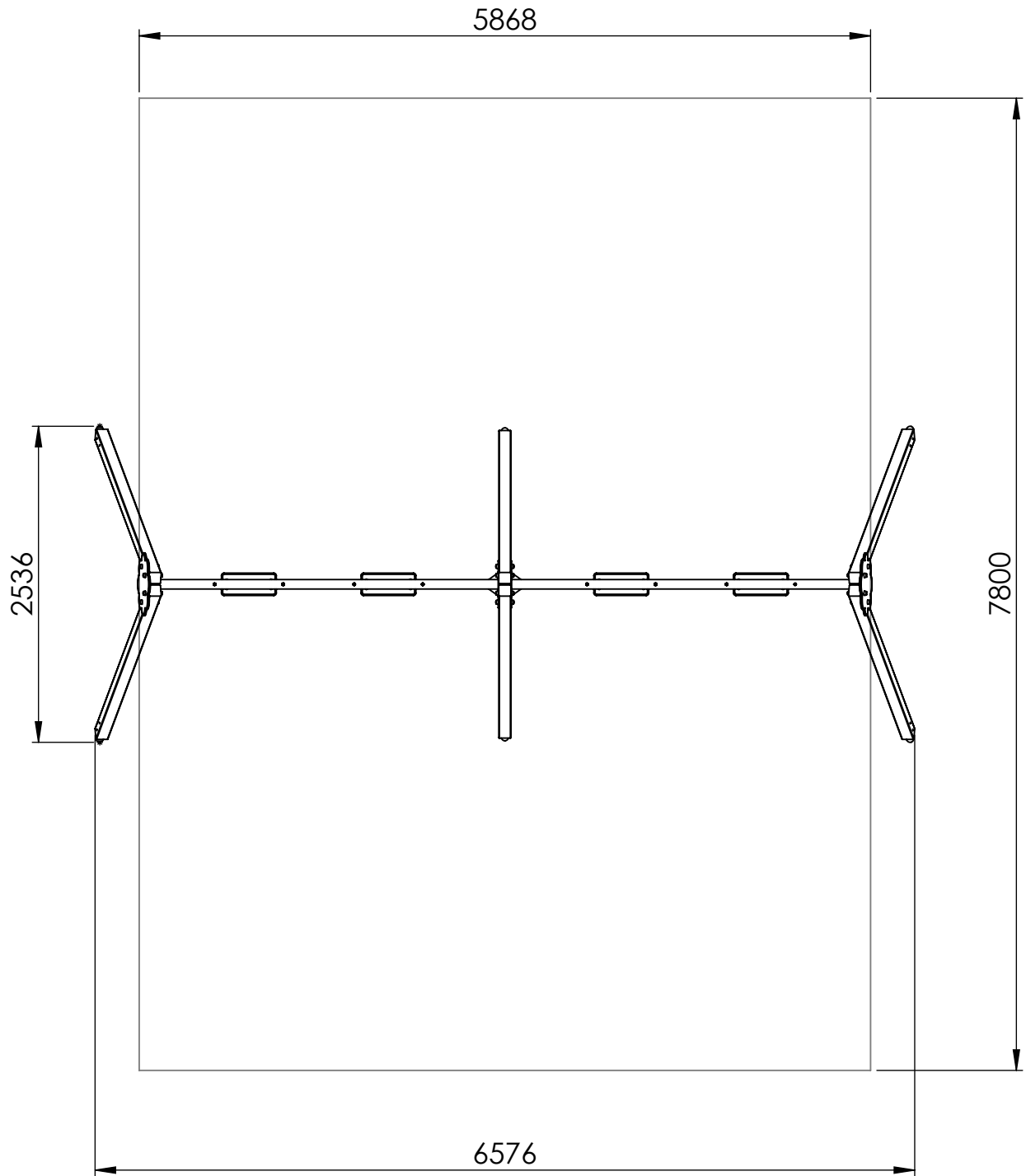
A

B

C

D

E



UNLESS OTHERWISE SPECIFIED:
DIMENSIONS ARE IN MILLIMETERS
WEIGHT ARE IN KILOGRAMM

PART NUMBER / DWG NO.:

K008 Y

	NAME	SIGNATURE	DATE	REVISION
DRAWN	M.Rebase		26.08.2015	
APPV'D				

DESCRIPTION:

Swing construction BELL-FLOWER 4 places

F



Tiptaptap OÜ

Tiptaptap OÜ
Veetorni 9,
Jüri alevik, Rae vald,
75301 Harjumaa

MATERIAL:

wood, metal, plastic

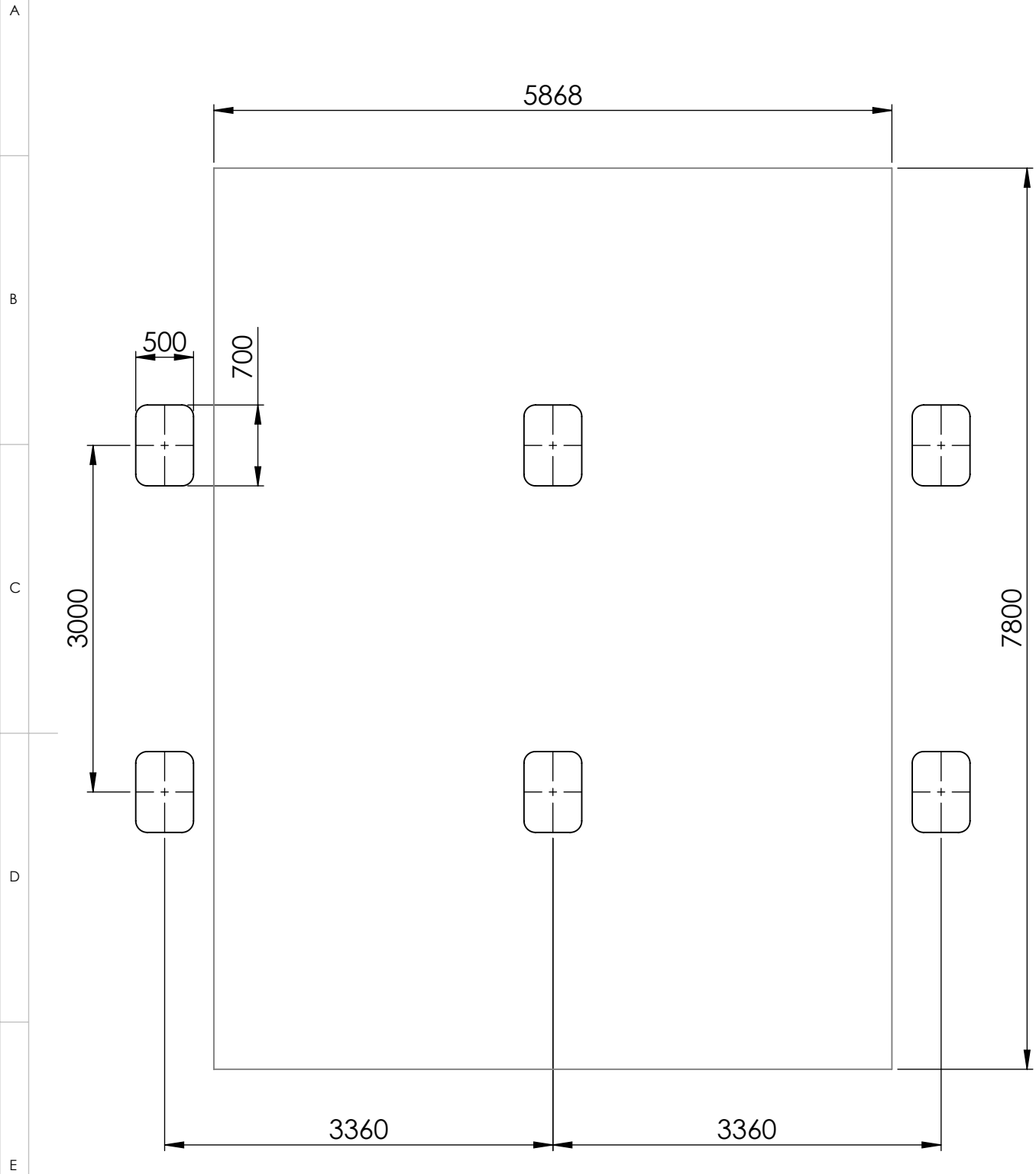
A4

WEIGHT:

SCALE: 1:50

SHEET 2 OF 9

foundation



UNLESS OTHERWISE SPECIFIED:
DIMENSIONS ARE IN MILLIMETERS
WEIGHT ARE IN KILOGRAMM

PART NUMBER / DWG NO.:

K008 Y

	NAME	SIGNATURE	DATE	REVISION
DRAWN	M.Rebase		26.08.2015	
APPV'D				

DESCRIPTION:

Swing construction BELL-FLOWER 4 places



Tiptaptap OÜ

Tiptaptap OÜ
Veetorni 9,
Jüri alevik, Rae vald,
75301 Harjumaa

MATERIAL:

wood, metal, plastic

A4

WEIGHT:

SCALE: 1:50

SHEET 3 OF 9

A

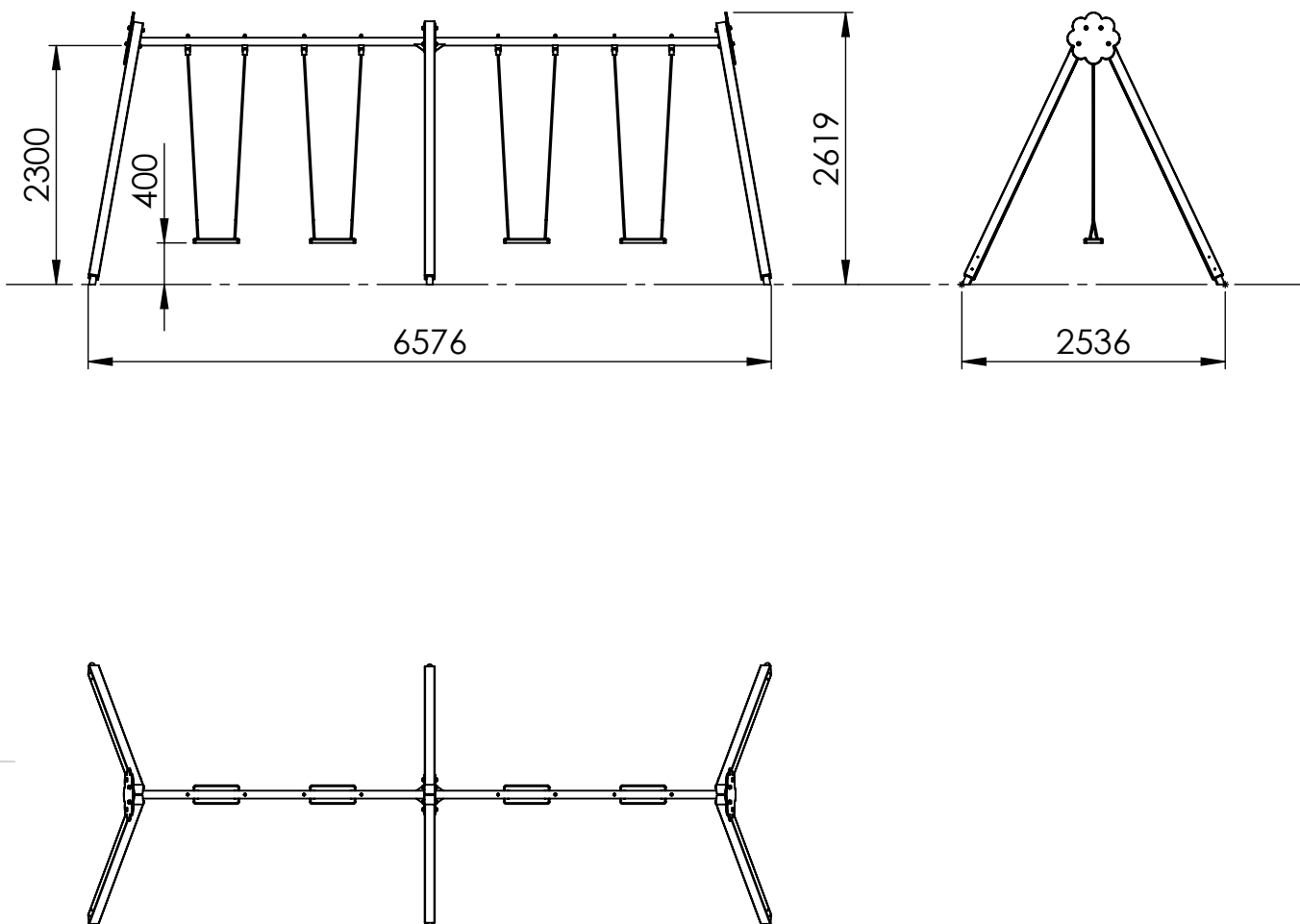
B

C

D

E

F



UNLESS OTHERWISE SPECIFIED:
DIMENSIONS ARE IN MILLIMETERS
WEIGHT ARE IN KILOGRAMM

PART NUMBER / DWG NO.:

K008 Y

	NAME	SIGNATURE	DATE	REVISION
DRAWN	M.Rebase		26.08.2015	
APPV'D				

DESCRIPTION:

Swing construction BELL-FLOWER 4 places

MATERIAL:

wood, metal, plastic

A4

WEIGHT:

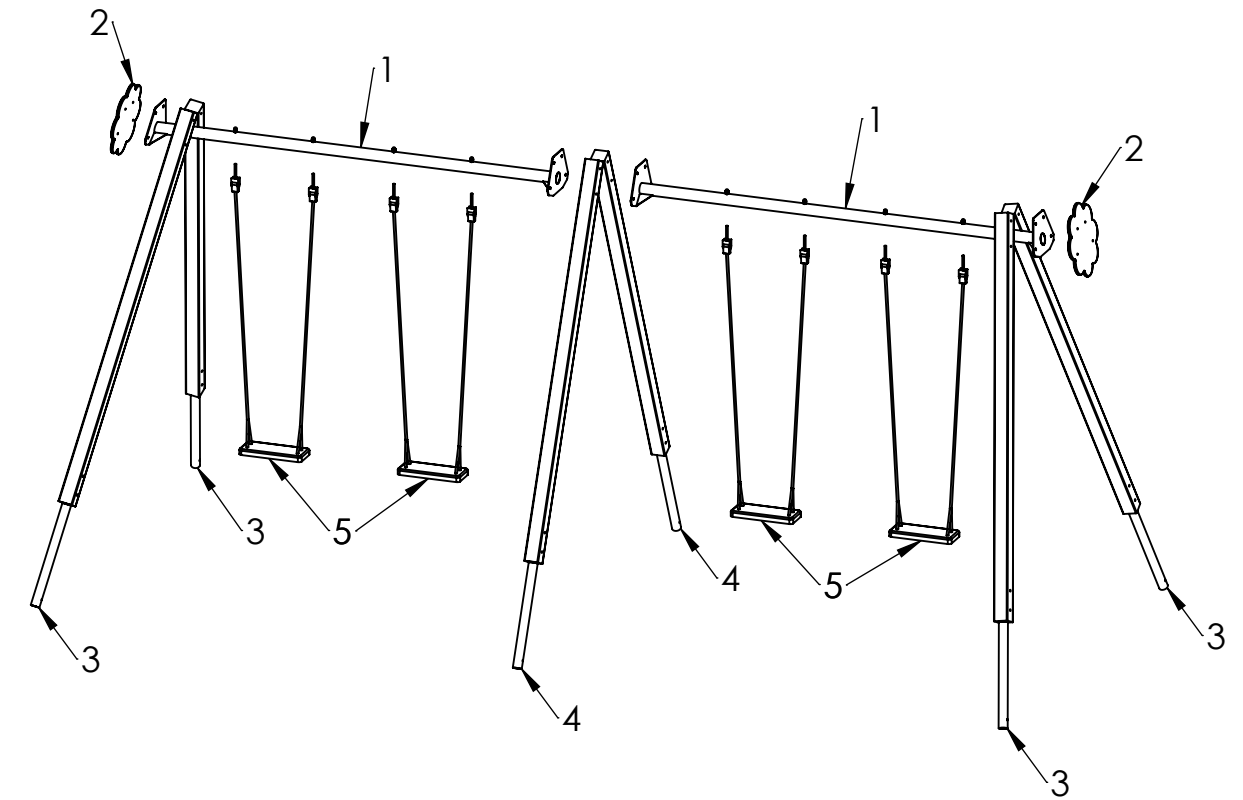
SCALE: 1:70

SHEET 4 OF 9



Tiptiptap OÜ

Tiptiptap OÜ
Veetorni 9,
Jüri alevik, Rae vald,
75301 Harjumaa



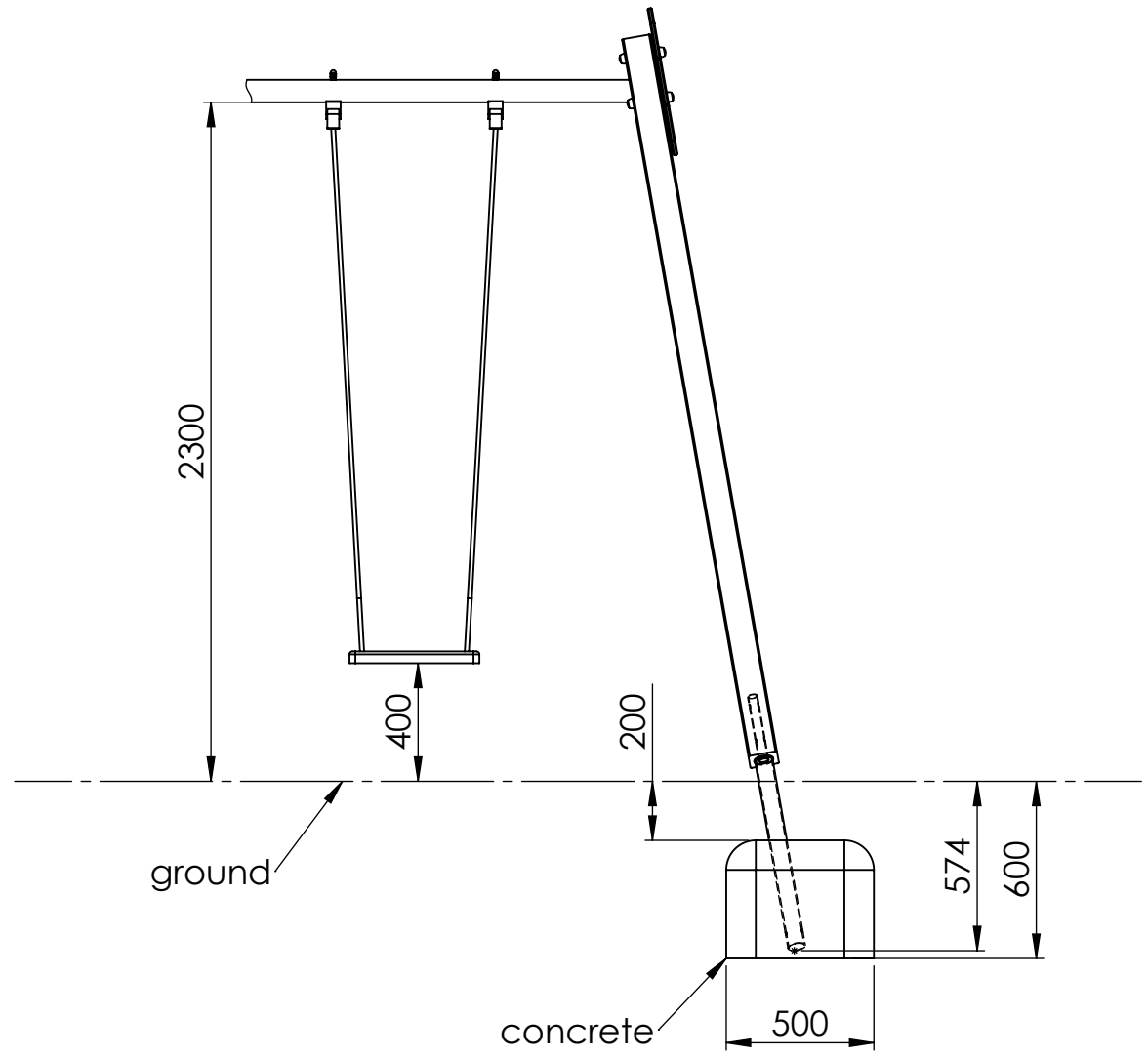
ITEM NO.	PART NUMBER	DESCRIPTION	QTY.
1	beam 76x2860	galvanized steel	2
2	side fixture	plastic	2
3	post 98x98x2720	laminated wood	4
4	post 98x98x2695	laminated wood	2
5	seat complete with fixings	rubber compound with aluminium insert	4

UNLESS OTHERWISE SPECIFIED: DIMENSIONS ARE IN MILLIMETERS WEIGHT ARE IN KILOGRAMM				PART NUMBER / DWG NO.:	
				K008 Y	
				DESCRIPTION:	
				Swing construction BELL-FLOWER 4 places	
				MATERIAL:	A4
				wood, metal, plastic	
				WEIGHT:	SHEET 5 OF 9
				SCALE: 1:50	



Tiptaptap OÜ

Tiptaptap OÜ
Veetorni 9,
Jüri alevik, Rae vald,
75301 Harjumaa



UNLESS OTHERWISE SPECIFIED:
DIMENSIONS ARE IN MILLIMETERS
WEIGHT ARE IN KILOGRAMM

PART NUMBER / DWG NO.:

K008 Y

	NAME	SIGNATURE	DATE	REVISION
DRAWN	M.Rebase		26.08.2015	
APPV'D				

DESCRIPTION:

Swing construction BELL-FLOWER 4 places



Tiptaptap OÜ

Tiptaptap OÜ
Veetorni 9,
Jüri alevik, Rae vald,
75301 Harjumaa

MATERIAL:

wood, metal, plastic

A4

WEIGHT:

SCALE: 1:25

SHEET 6 OF 9

A

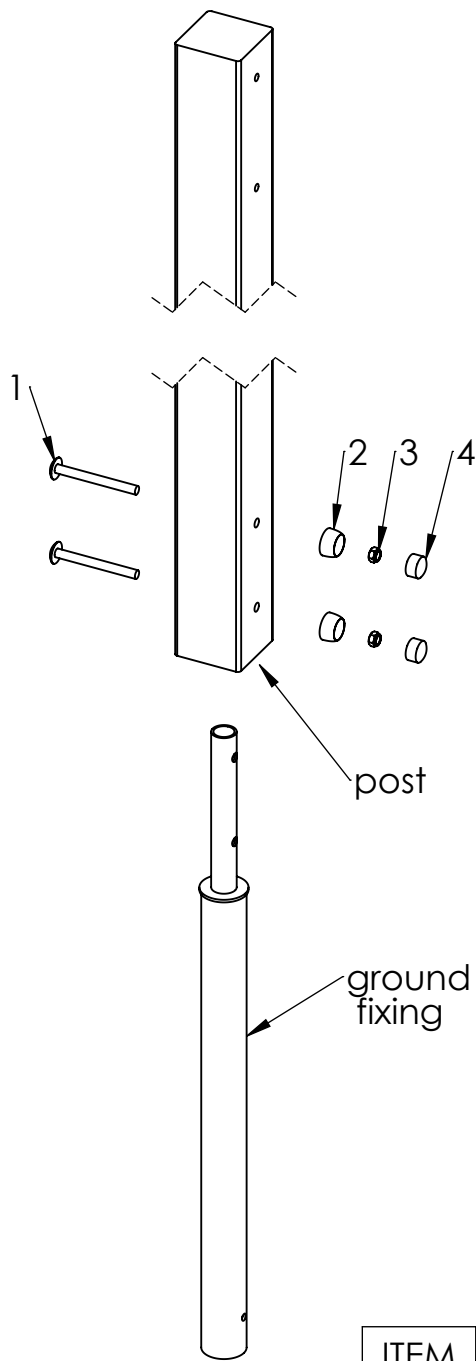
B

C

D

E

F



ITEM NO.	PART NUMBER
1	bolt DIN603 M12x120
2	nut cover M12
3	nut DIN985 M12
4	nut cover cap M12

UNLESS OTHERWISE SPECIFIED:
 DIMENSIONS ARE IN MILLIMETERS
 WEIGHT ARE IN KILOGRAMM

PART NUMBER / DWG NO.:

K008 Y

	NAME	SIGNATURE	DATE	REVISION
DRAWN	M.Rebase		26.08.2015	
APPV'D				

DESCRIPTION:

Swing construction BELL-FLOWER 4 places



Tiptiptap OÜ

Tiptiptap OÜ
 Veetorni 9,
 Jüri alevik, Rae vald,
 75301 Harjumaa

MATERIAL:

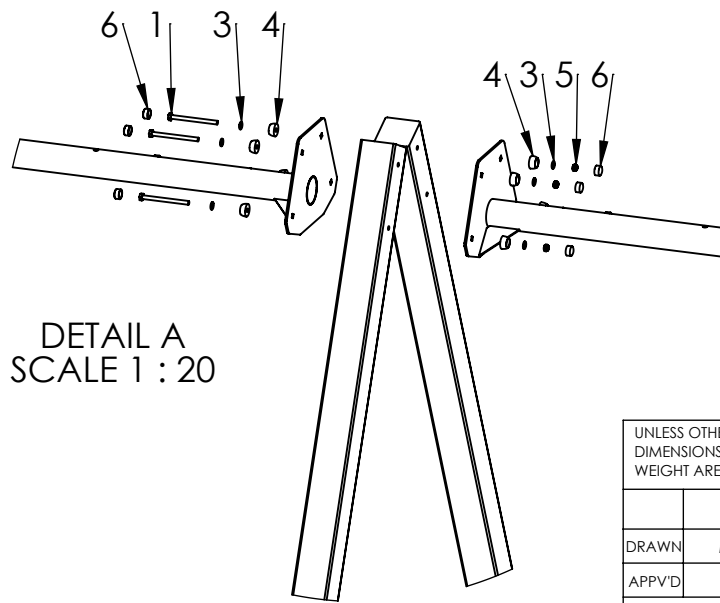
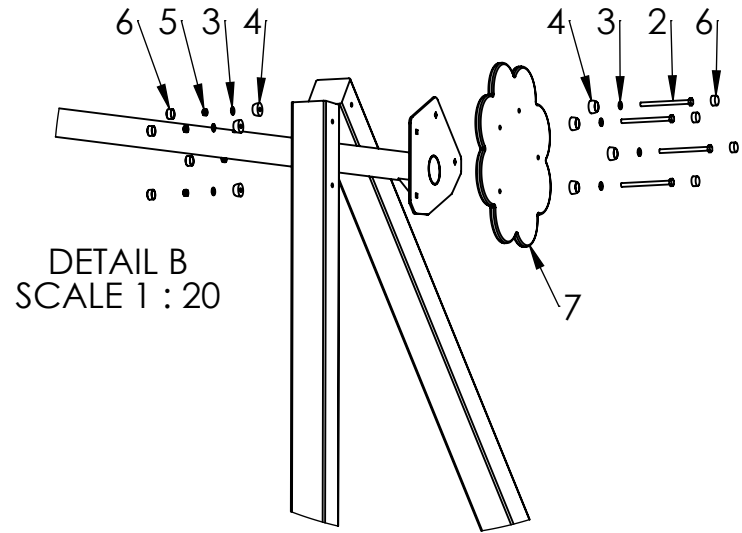
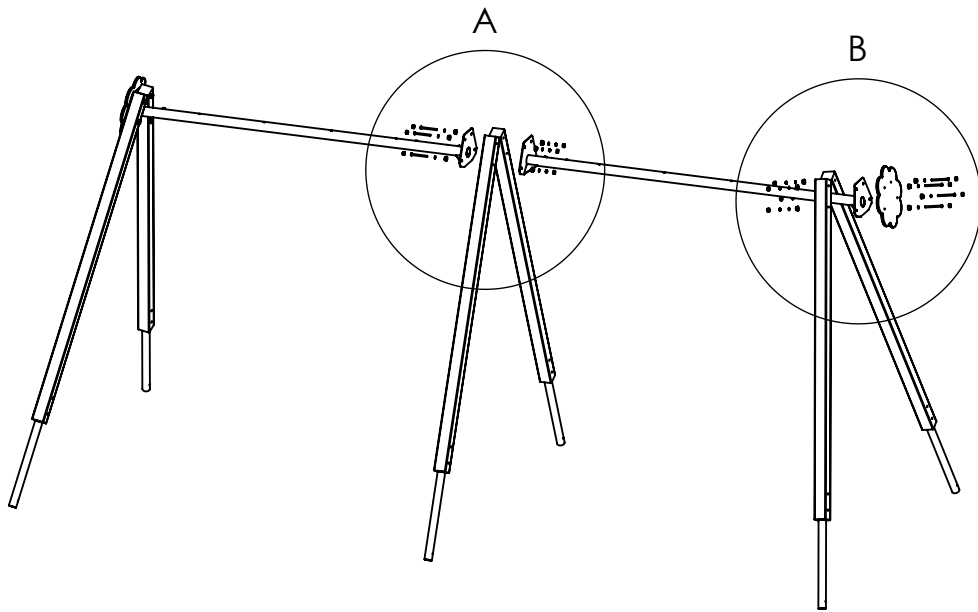
wood, metal, plastic

A4

WEIGHT:

SCALE: 1:10

SHEET 7 OF 9



ITEM NO.	PART NUMBER
1	bolt DIN931 M10x130
2	bolt DIN931 M10x140
3	washer M10
4	nut cover M10
5	nut DIN985 M10
6	nut cover cap M10
7	side fixture

UNLESS OTHERWISE SPECIFIED:
DIMENSIONS ARE IN MILLIMETERS
WEIGHT ARE IN KILOGRAMM

	NAME	SIGNATURE	DATE	REVISION
DRAWN	M.Rebase		26.08.2015	
APPV'D				

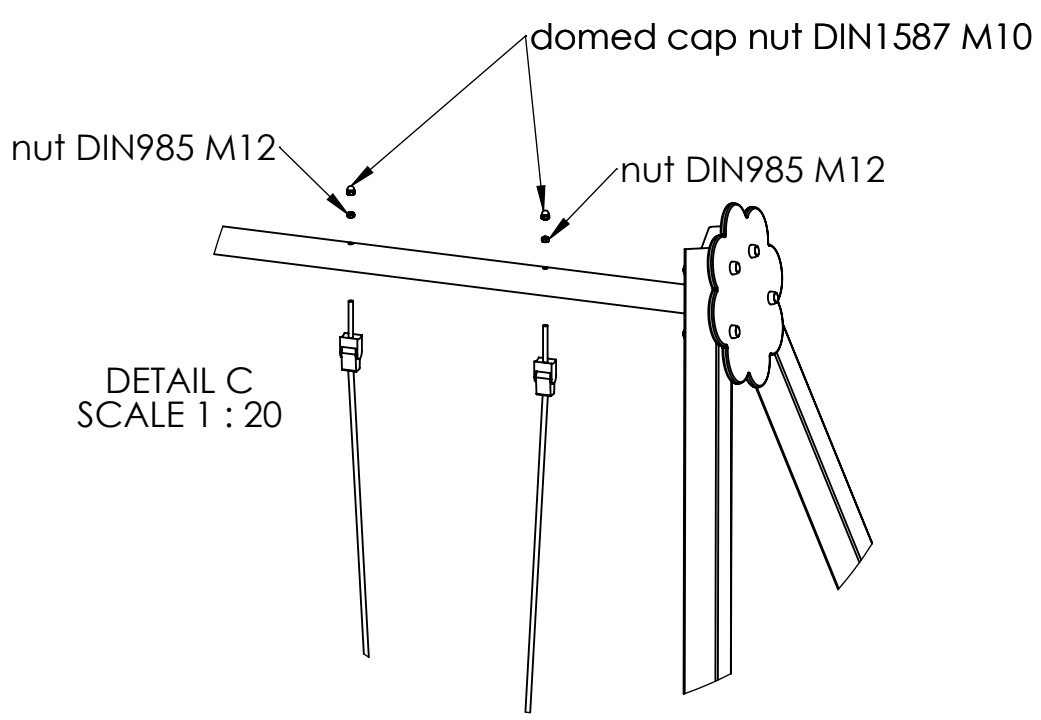
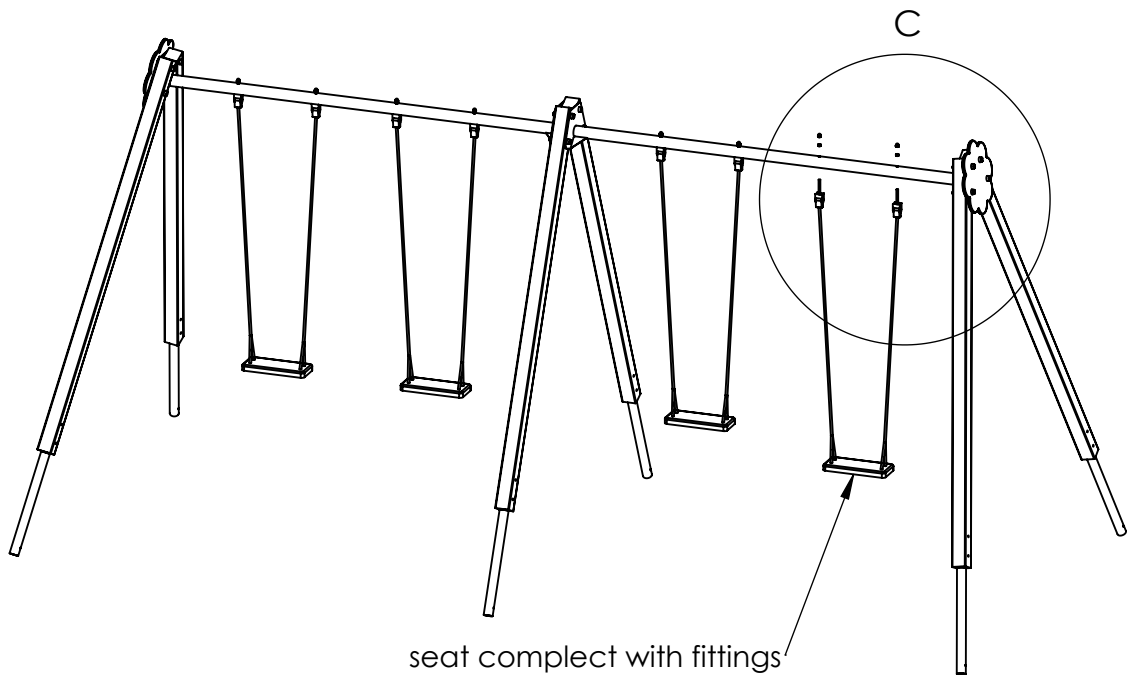
PART NUMBER / DWG NO.:
K008 Y

DESCRIPTION:
Swing construction BELL-FLOWER 4 places



Tiptiptap OÜ
Tiptiptap OÜ
Veetorni 9,
Jüri alevik, Rae vald,
75301 Harjumaa

MATERIAL:	wood, metal, plastic	A4
WEIGHT:	SCALE: 1:60	SHEET 8 OF 9



DETAIL C
SCALE 1 : 20

UNLESS OTHERWISE SPECIFIED:
DIMENSIONS ARE IN MILLIMETERS
WEIGHT ARE IN KILOGRAMM

PART NUMBER / DWG NO.:
K008 Y

	NAME	SIGNATURE	DATE	REVISION
DRAWN	M.Rebase		26.08.2015	
APPV'D				

DESCRIPTION:
Swing construction BELL-FLOWER 4 places



Tiptaptap OÜ
Veetorni 9,
Jüri alevik, Rae vald,
75301 Harjumaa

MATERIAL:	wood, metal, plastic	A4
WEIGHT:	SCALE: 1:50	SHEET 9 OF 9