

A
B
C
D
E
F

1

2

3

4

UNLESS OTHERWISE SPECIFIED:
DIMENSIONS ARE IN MILLIMETERS
WEIGHT ARE IN KILOGRAMM

Lekplatsgrossisten.se

PART NUMBER / DWG NO.:

K008 P

	NAME	SIGNATURE	DATE	REVISION
DRAWN	M.Rebase		04.07.2016	
APPV'D				

DESCRIPTION:

Swing construction DUCAT 4 places



Tiptaptap OÜ

Tiptaptap OÜ
Veetorni 9,
Jüri alevik, Rae vald,
75301 Harjumaa

MATERIAL:

wood, metal, plastic

A4

WEIGHT:

SCALE: 1:45

SHEET 1 OF 9

safety area

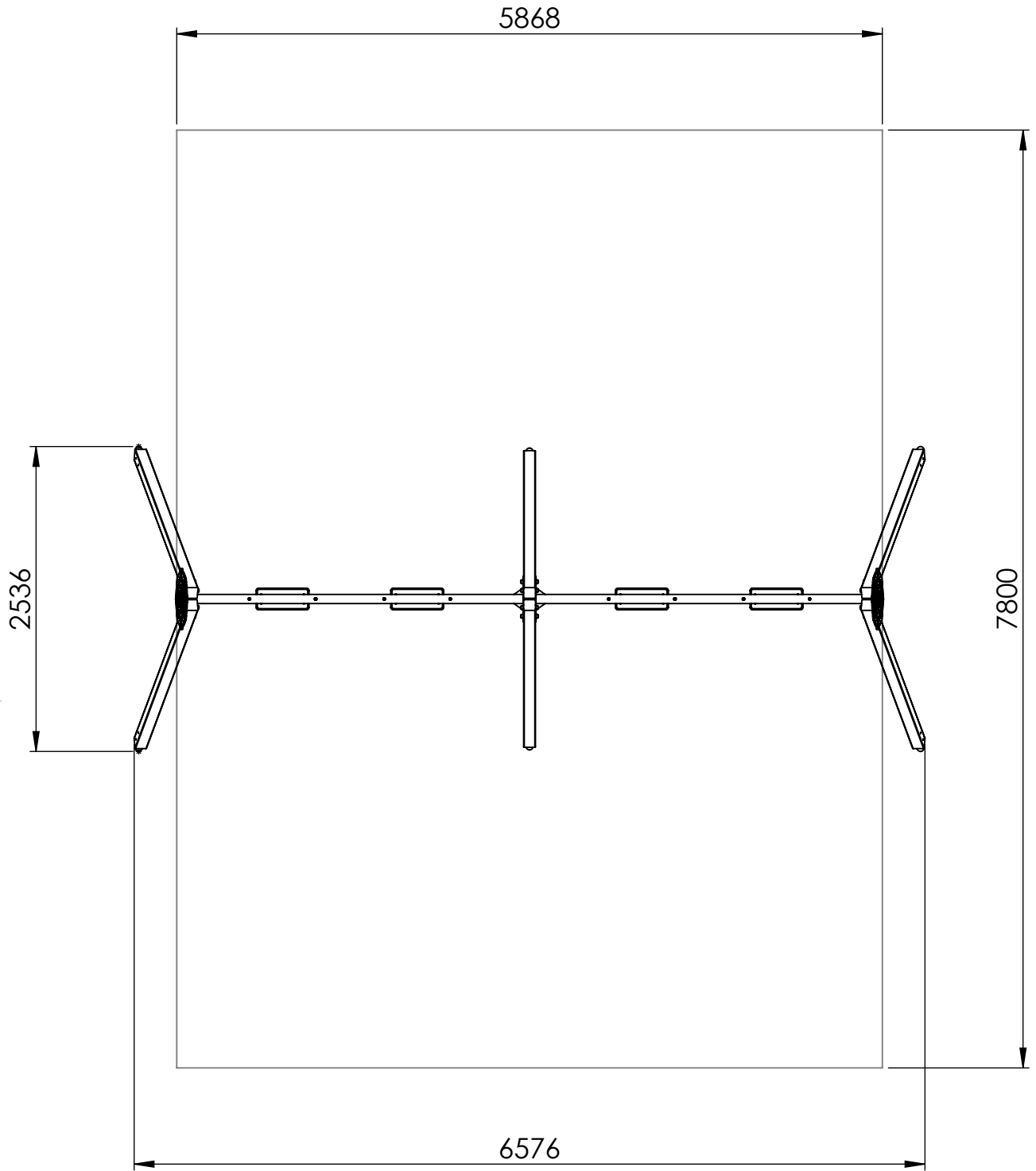
A

B

C

D

E



UNLESS OTHERWISE SPECIFIED:
DIMENSIONS ARE IN MILLIMETERS
WEIGHT ARE IN KILOGRAMM

Lekplatsgrossisten.se

PART NUMBER / DWG NO.:

K008 P

	NAME	SIGNATURE	DATE	REVISION
DRAWN	M.Rebase		04.07.2016	
APPV'D				

DESCRIPTION:

Swing construction DUCAT 4 places

F



Tiptaptap OÜ

Tiptaptap OÜ
Veetorni 9,
Jüri alevik, Rae vald,
75301 Harjumaa

MATERIAL:

wood, metal, plastic

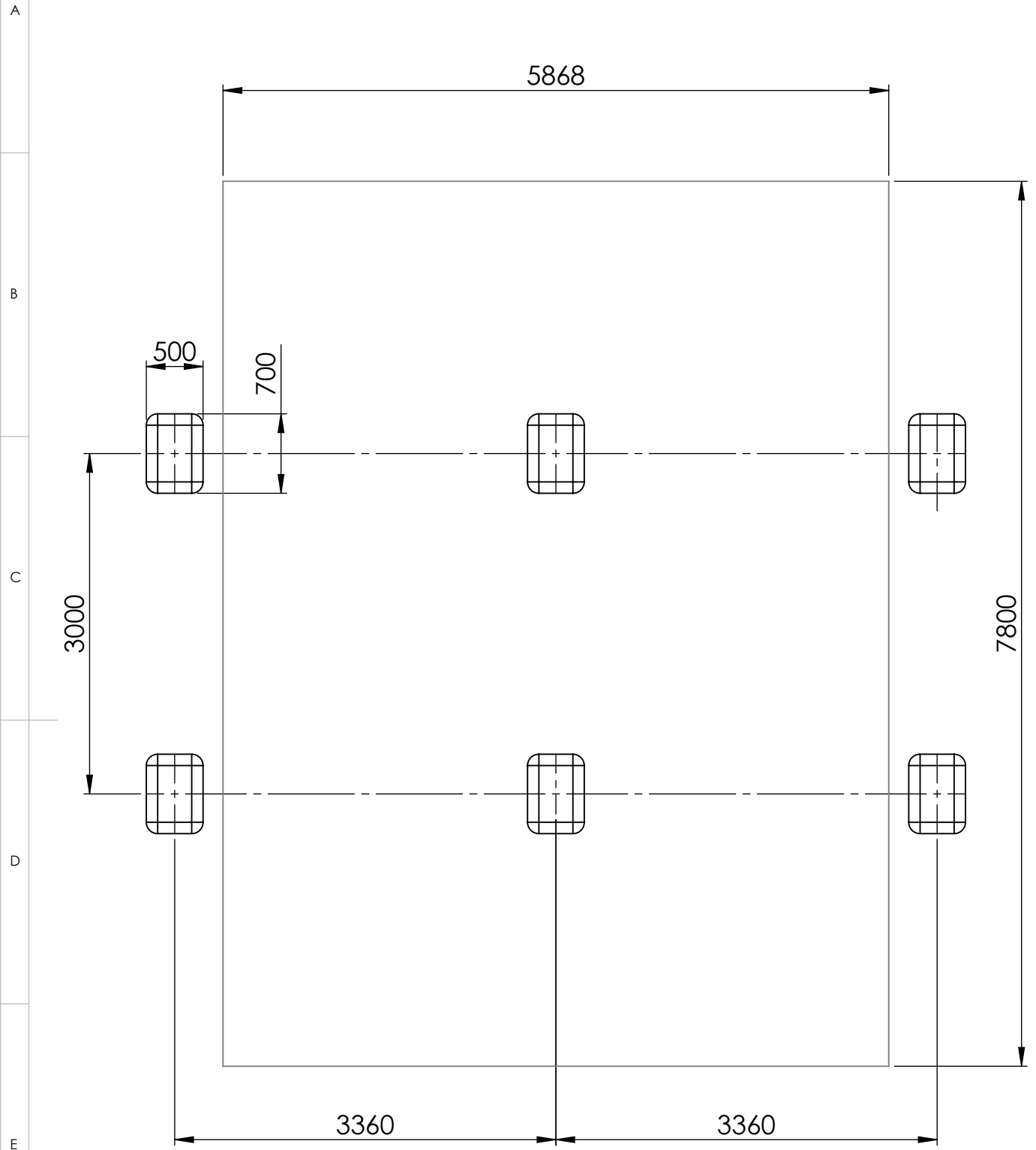
A4

WEIGHT:

SCALE: 1:50

SHEET 2 OF 9

foundation



UNLESS OTHERWISE SPECIFIED:
DIMENSIONS ARE IN MILLIMETERS
WEIGHT ARE IN KILOGRAMM

Lekplatsgrossisten.se

PART NUMBER / DWG NO.:

K008 P

	NAME	SIGNATURE	DATE	REVISION
DRAWN	M.Rebase		04.07.2016	
APPV'D				

DESCRIPTION:

Swing construction DUCAT 4 places



Tiptaptap OÜ

Tiptaptap OÜ
Veetorni 9,
Jüri alevik, Rae vald,
75301 Harjumaa

MATERIAL:

wood, metal, plastic

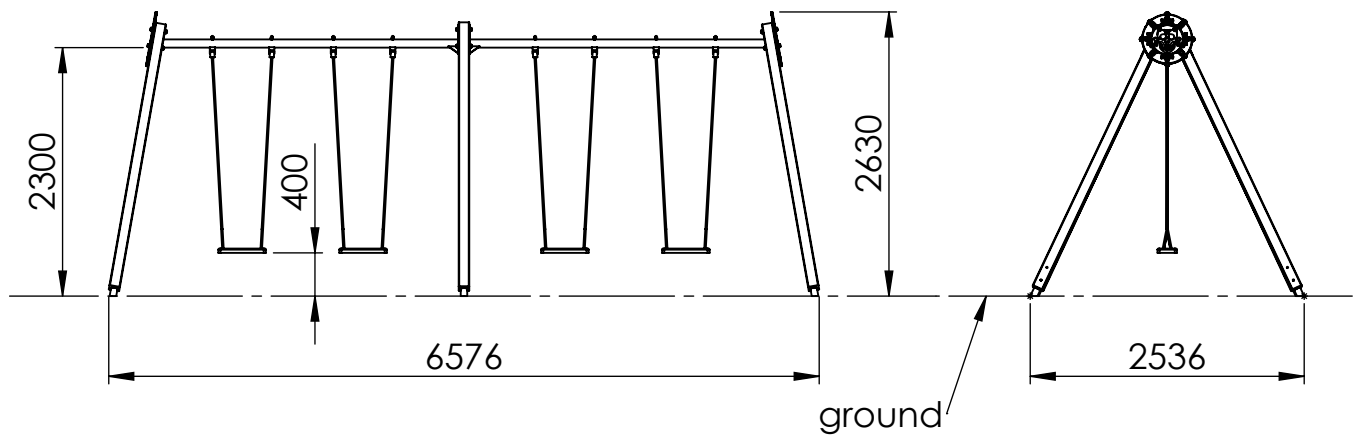
A4

WEIGHT:

SCALE: 1:50

SHEET 3 OF 9

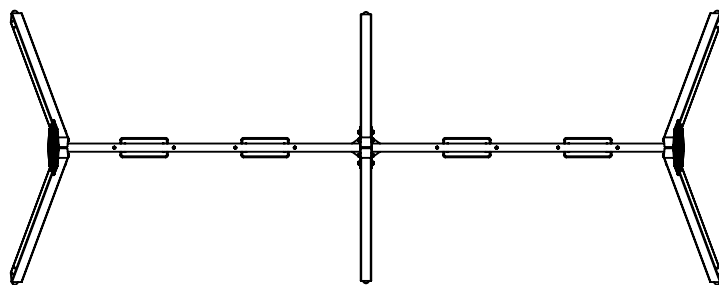
A



B

C

D



E

F

UNLESS OTHERWISE SPECIFIED:
DIMENSIONS ARE IN MILLIMETERS
WEIGHT ARE IN KILOGRAMM

Lekplatsgrossisten.se

PART NUMBER / DWG NO.:

K008 P

	NAME	SIGNATURE	DATE	REVISION
DRAWN	M.Rebase		04.07.2016	
APPV'D				

DESCRIPTION:

Swing construction DUCAT 4 places



Tiptiptap OÜ

Tiptiptap OÜ
Veetorni 9,
Jüri alevik, Rae vald,
75301 Harjumaa

MATERIAL:

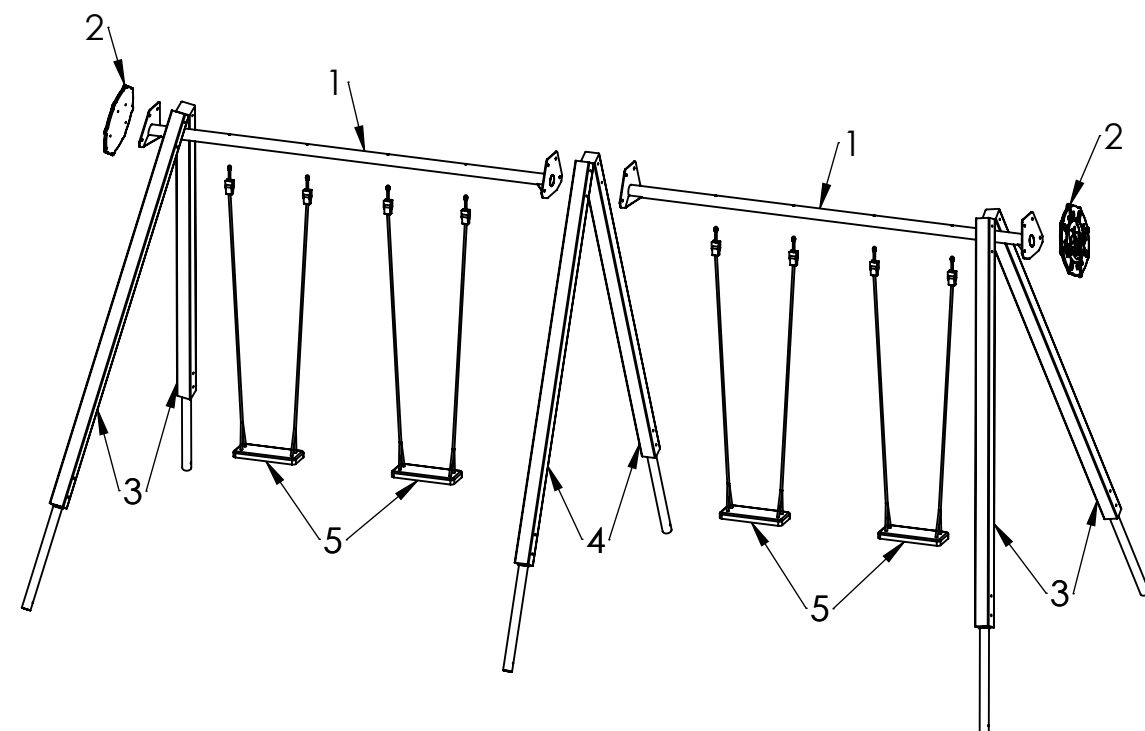
wood, metal, plastic

A4


WEIGHT:

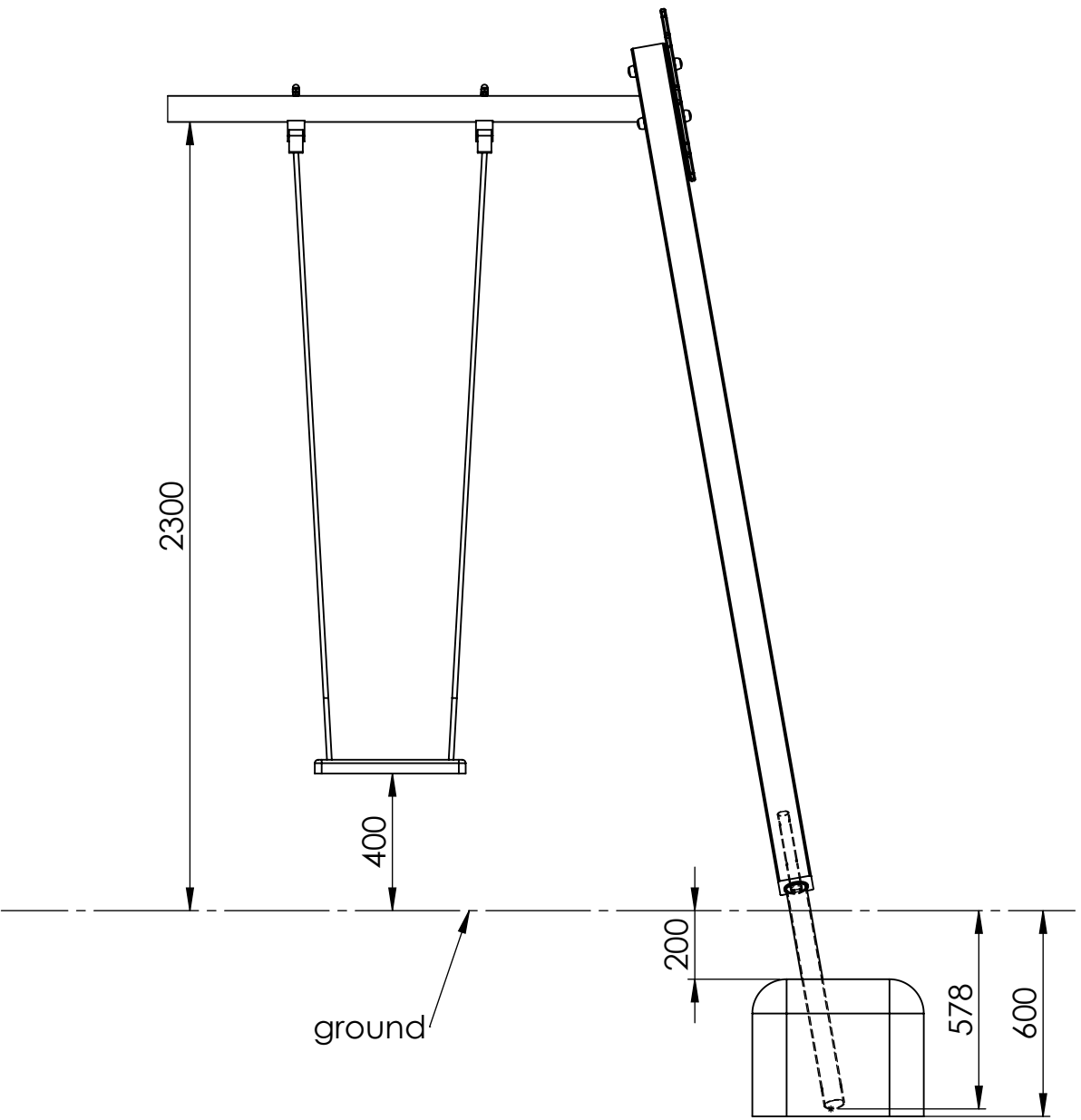
SCALE: 1:70

SHEET 4 OF 9



ITEM NO.	PART NUMBER	DESCRIPTION	QTY.
1	beam 76x2860	galvanized steel	2
2	side fixture	plastic	2
3	post 98x98x2720	laminated wood	4
4	post 98x98x2695	laminated wood	2
5	seat complete with fixings	rubber compound with aluminium insert	4

UNLESS OTHERWISE SPECIFIED: DIMENSIONS ARE IN MILLIMETERS WEIGHT ARE IN KILOGRAMM		Lekplatsgrossisten.se			PART NUMBER / DWG NO.: K008 P		
NAME	SIGNATURE	DATE	REVISION		DESCRIPTION: Swing construction DUCAT 4 places		
DRAWN	M.Rebase	04.07.2016					
APPV'D							
 Tiptaptap OÜ Veetorni 9, Jüri alevik, Rae vald, 75301 Harjumaa		MATERIAL: wood, metal, plastic			A4		
WEIGHT:				SCALE: 1:50		SHEET 5 OF 9	



UNLESS OTHERWISE SPECIFIED:
DIMENSIONS ARE IN MILLIMETERS
WEIGHT ARE IN KILOGRAMM

Lekplatsgrossisten.se

PART NUMBER / DWG NO.:

K008 P

	NAME	SIGNATURE	DATE	REVISION
DRAWN	M.Rebase		04.07.2016	
APPV'D				

DESCRIPTION:

Swing construction DUCAT 4 places



Tiptiptap OÜ

Tiptiptap OÜ
Veetorni 9,
Jüri alevik, Rae vald,
75301 Harjumaa

MATERIAL:

wood, metal, plastic

A4

WEIGHT:

SCALE: 1:20

SHEET 6 OF 9

A

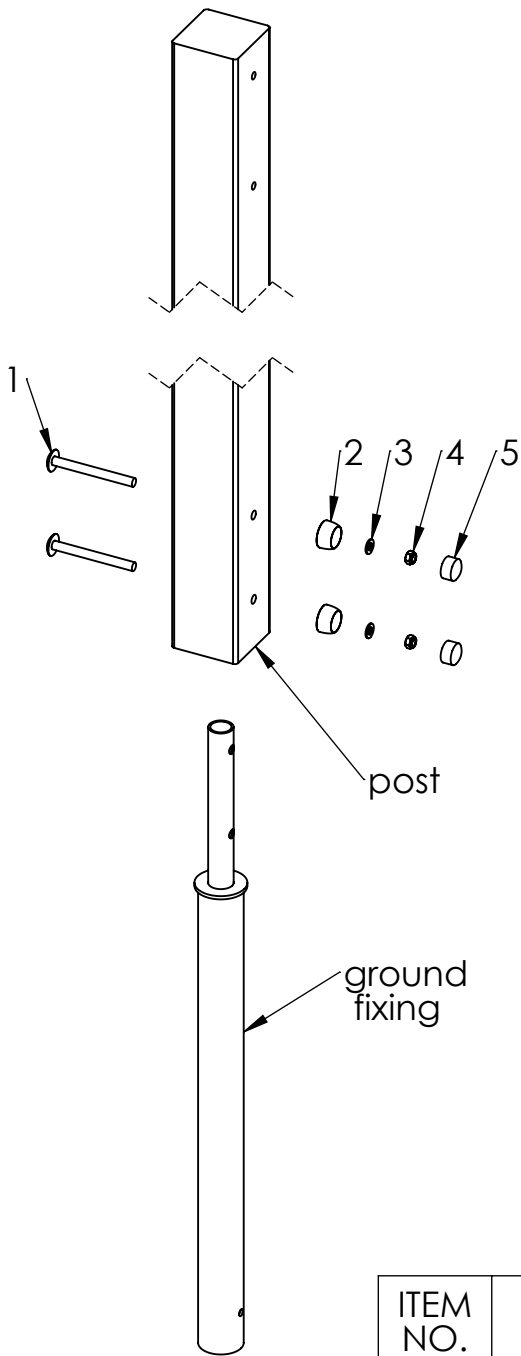
B

C

D

E

F



ITEM NO.	PART NUMBER
1	bolt DIN603 M12x120
2	nut cover M12
3	washer M10
4	nut DIN985 M10
5	nut cover cap M12

UNLESS OTHERWISE SPECIFIED:
DIMENSIONS ARE IN MILLIMETERS
WEIGHT ARE IN KILOGRAMM

Lekplatsgrossisten.se

PART NUMBER / DWG NO.:

K008 P

NAME	SIGNATURE	DATE	REVISION
DRAWN M.Rebase		04.07.2016	
APPV'D			

DESCRIPTION:

Swing construction DUCAT 4 places



Tiptiptap OÜ

Tiptiptap OÜ
Veetorni 9,
Jüri alevik, Rae vald,
75301 Harjumaa

MATERIAL:

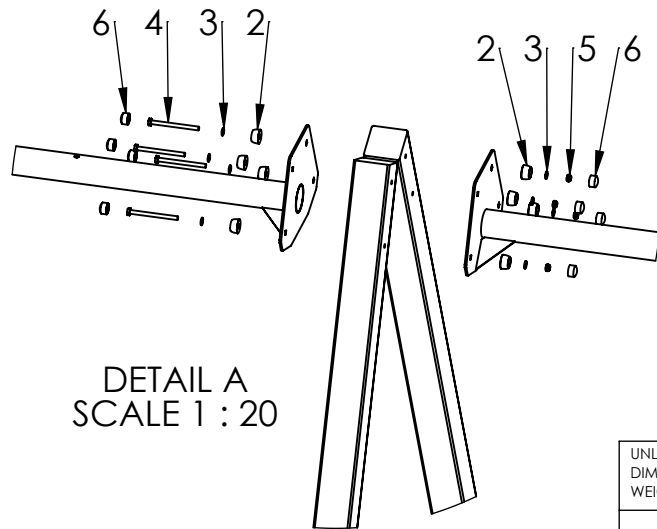
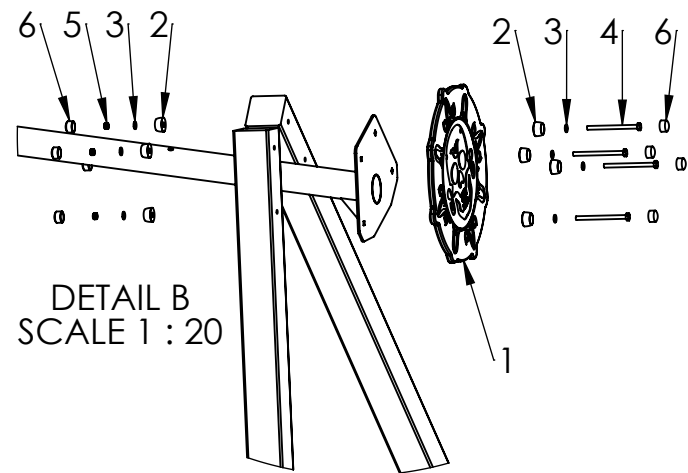
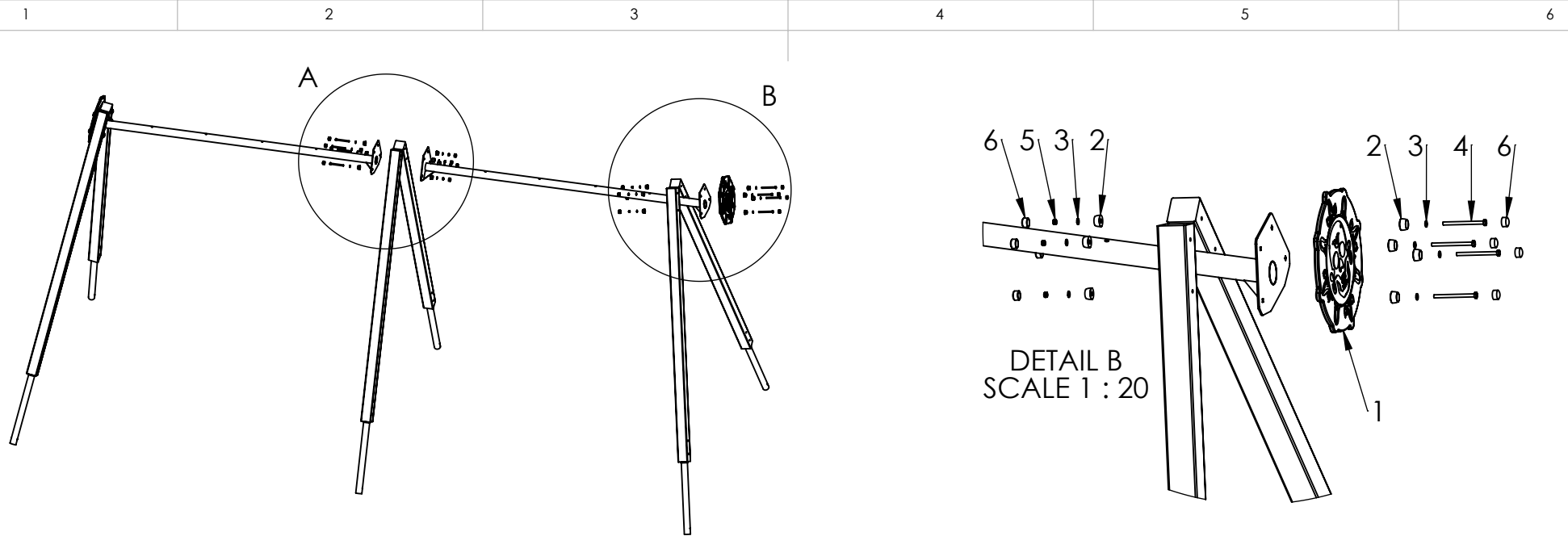
wood, metal, plastic

A4


WEIGHT:

SCALE: 1:10

SHEET 7 OF 9



ITEM NO.	PART NUMBER
1	side fixture
2	nut cover M12
3	washer M10
4	bolt DIN931 M10x140
5	nut DIN985 M10
6	nut cover cap M12

UNLESS OTHERWISE SPECIFIED: DIMENSIONS ARE IN MILLIMETERS WEIGHT ARE IN KILOGRAMM				Lekplatsgrossisten.se		PART NUMBER / DWG NO.: K008 P	
	NAME	SIGNATURE	DATE	REVISION		DESCRIPTION: Swing construction DUCAT 4 places	
DRAWN	M.Rebase		04.07.2016				
APPV'D							
 Tiptaptap OÜ		Tiptaptap OÜ Veetorni 9, Jüri alevik, Rae vald, 75301 Harjumaa				MATERIAL: wood, metal, plastic	
		WEIGHT:		SCALE: 1:60		A4	
						SHEET 8 OF 9	

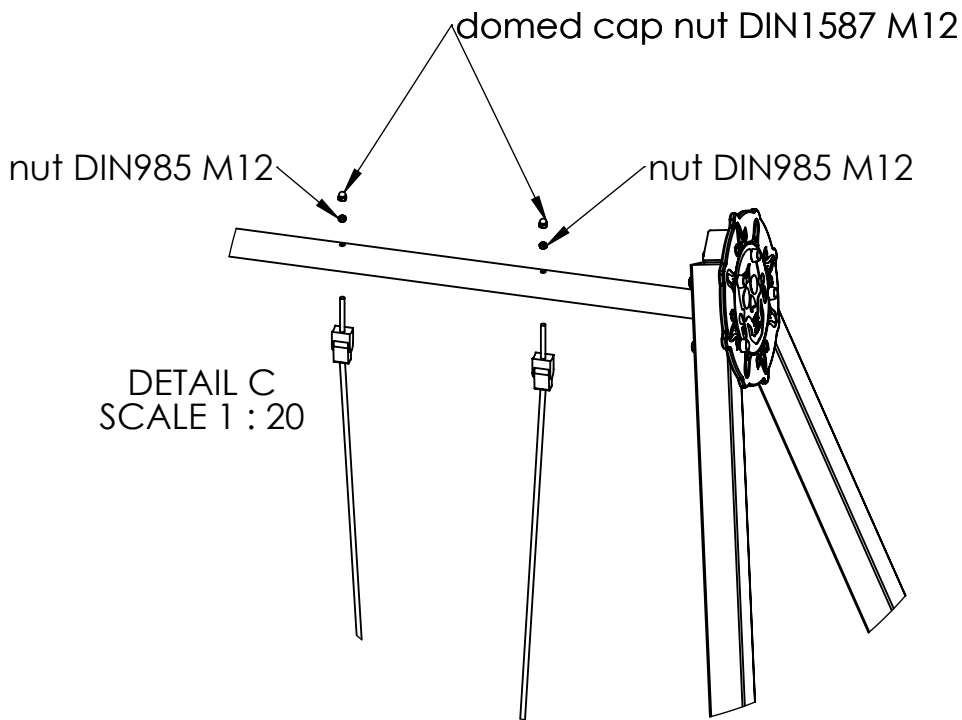
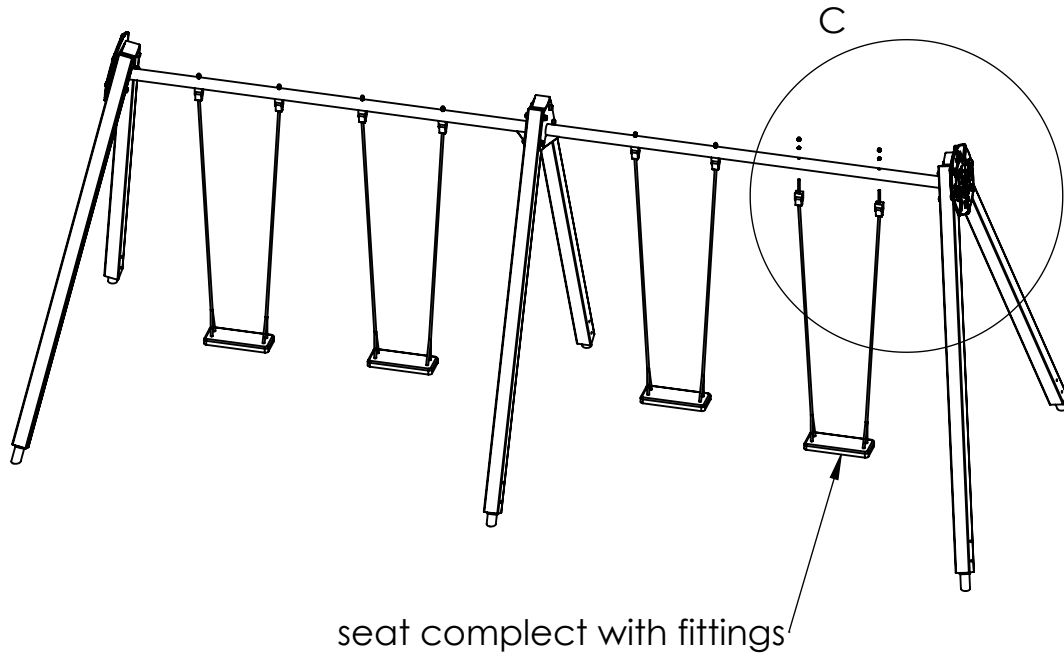
A

B

C

D

E



UNLESS OTHERWISE SPECIFIED:
DIMENSIONS ARE IN MILLIMETERS
WEIGHT ARE IN KILOGRAMM

Lekplatsgrossisten.se

PART NUMBER / DWG NO.:

K008 P

	NAME	SIGNATURE	DATE	REVISION
DRAWN	M.Rebase		04.07.2016	
APPV'D				

DESCRIPTION:

Swing construction DUCAT 4 places



Tiptaptap OÜ

Tiptaptap OÜ
Veetorni 9,
Jüri alevik, Rae vald,
75301 Harjumaa

MATERIAL:

wood, metal, plastic

A4

WEIGHT:

SCALE: 1:50

SHEET 9 OF 9