

A

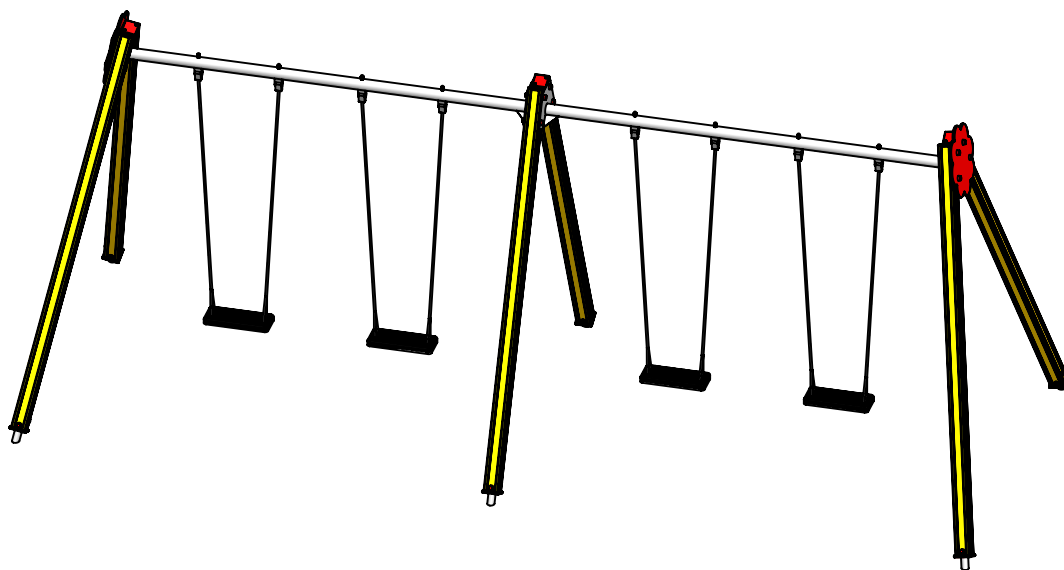
B

C

D

E

F



UNLESS OTHERWISE SPECIFIED:
DIMENSIONS ARE IN MILLIMETERS
WEIGHT ARE IN KILOGRAMM

PART NUMBER / DWG NO.:

K008 AL

	NAME	SIGNATURE	DATE	REVISION
DRAWN	M.Rebase		25.06.2015	
APPV'D				

DESCRIPTION:

Swing construction BELL-FLOWER 4 places



Tiptaptap OÜ

Tiptaptap OÜ
Veetorni 9,
Jüri alevik, Rae vald,
75301 Harjumaa

MATERIAL:

wood, metal, plastic

A4

WEIGHT:

SCALE: 1:50

SHEET 1 OF 9

safety area

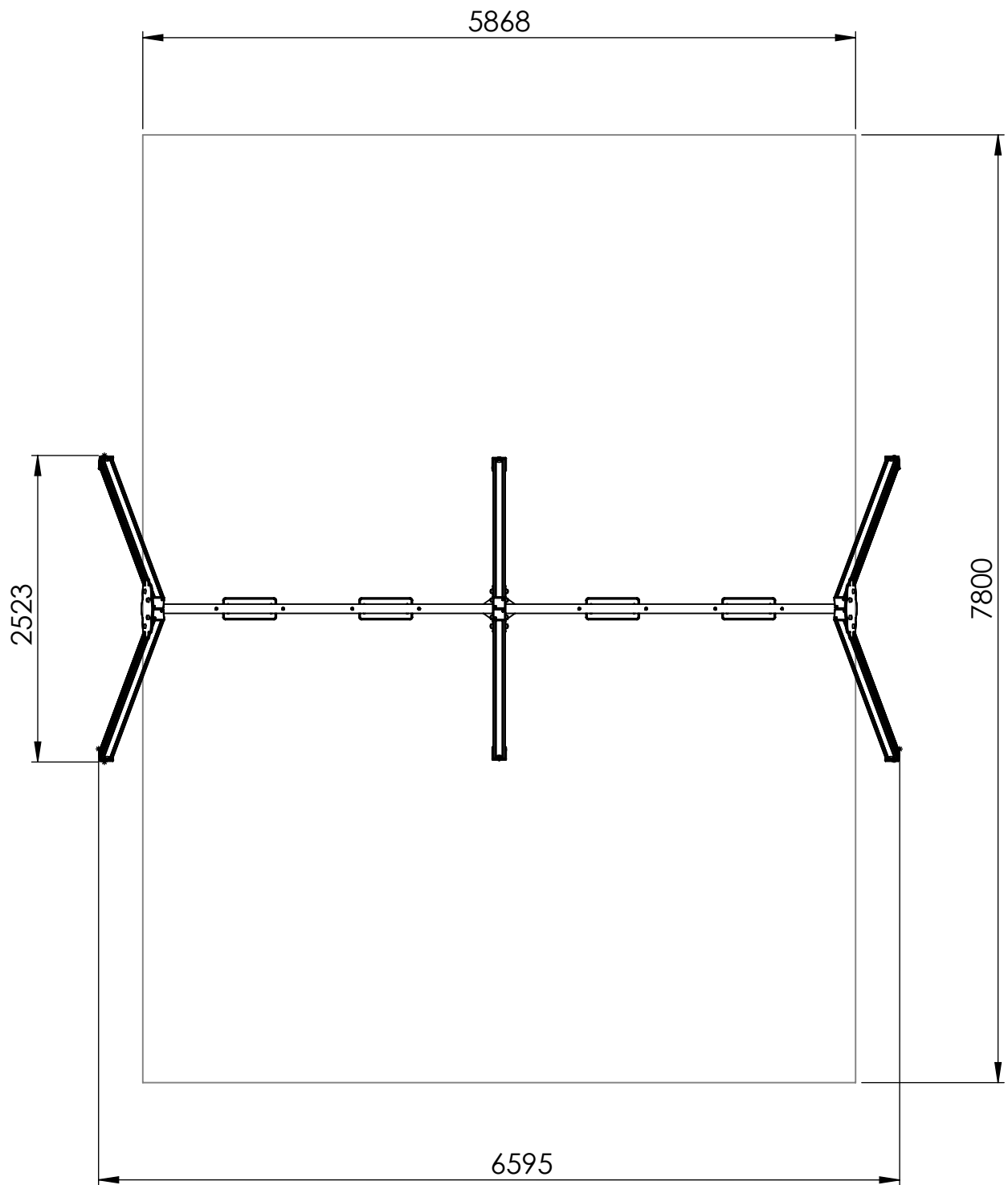
A

B

C

D

E



UNLESS OTHERWISE SPECIFIED:
DIMENSIONS ARE IN MILLIMETERS
WEIGHT ARE IN KILOGRAMM

PART NUMBER / DWG NO.:

K008 AL

	NAME	SIGNATURE	DATE	REVISION
DRAWN	M.Rebase		25.06.2015	
APPV'D				

DESCRIPTION:

Swing construction BELL-FLOWER 4 places

F



Tiptaptap OÜ

Tiptaptap OÜ
Veetorni 9,
Jüri alevik, Rae vald,
75301 Harjumaa

MATERIAL:

wood, metal, plastic

A4

WEIGHT:

SCALE: 1:50

SHEET 2 OF 9

foundation

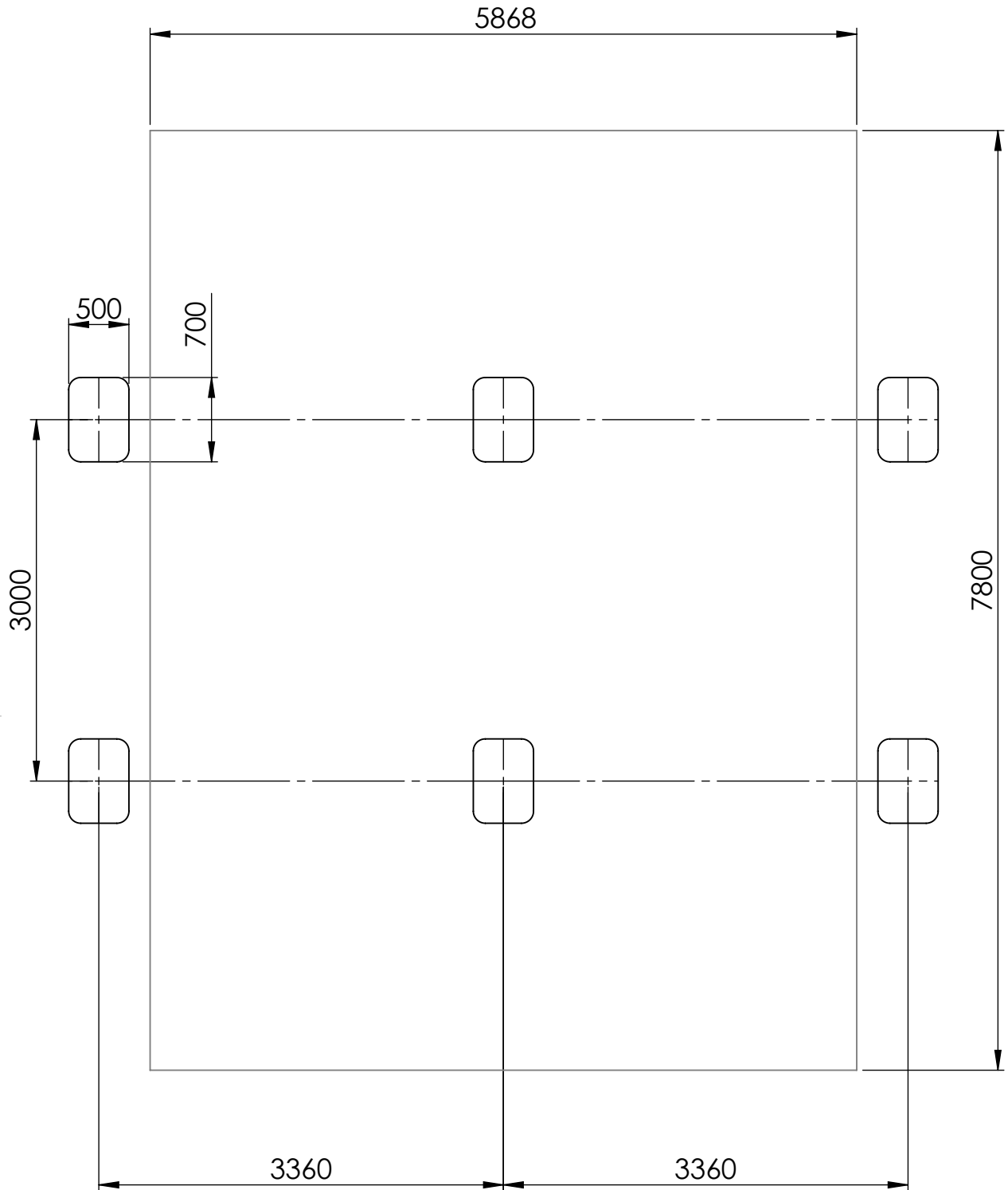
A

B

C

D

E



UNLESS OTHERWISE SPECIFIED:
DIMENSIONS ARE IN MILLIMETERS
WEIGHT ARE IN KILOGRAMM

PART NUMBER / DWG NO.:
K008 AL

	NAME	SIGNATURE	DATE	REVISION
DRAWN	M.Rebase		25.06.2015	
APPV'D				

DESCRIPTION:
Swing construction BELL-FLOWER 4 places

 **Tiptaptap** OÜ
Veetorni 9,
Jüri alevik, Rae vald,
75301 Harjumaa

MATERIAL:	wood, metal, plastic	A4
WEIGHT:	SCALE: 1:50	SHEET 3 OF 9

A

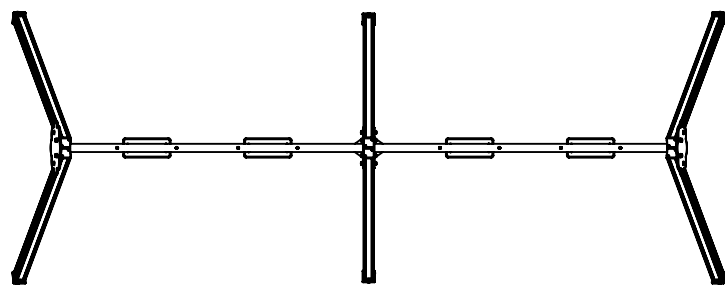
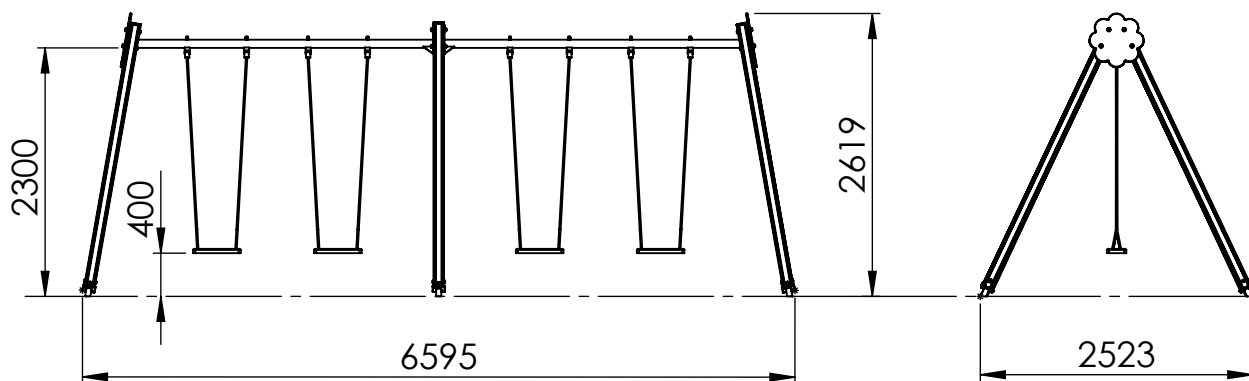
B

C

D

E

F



UNLESS OTHERWISE SPECIFIED:
DIMENSIONS ARE IN MILLIMETERS
WEIGHT ARE IN KILOGRAMM

PART NUMBER / DWG NO.:

K008 AL

	NAME	SIGNATURE	DATE	REVISION
DRAWN	M.Rebase		25.06.2015	
APPV'D				

DESCRIPTION:

Swing construction BELL-FLOWER 4 places

MATERIAL:

wood, metal, plastic

A4

WEIGHT:

SCALE: 1:70

SHEET 4 OF 9



Tiptaptap OÜ

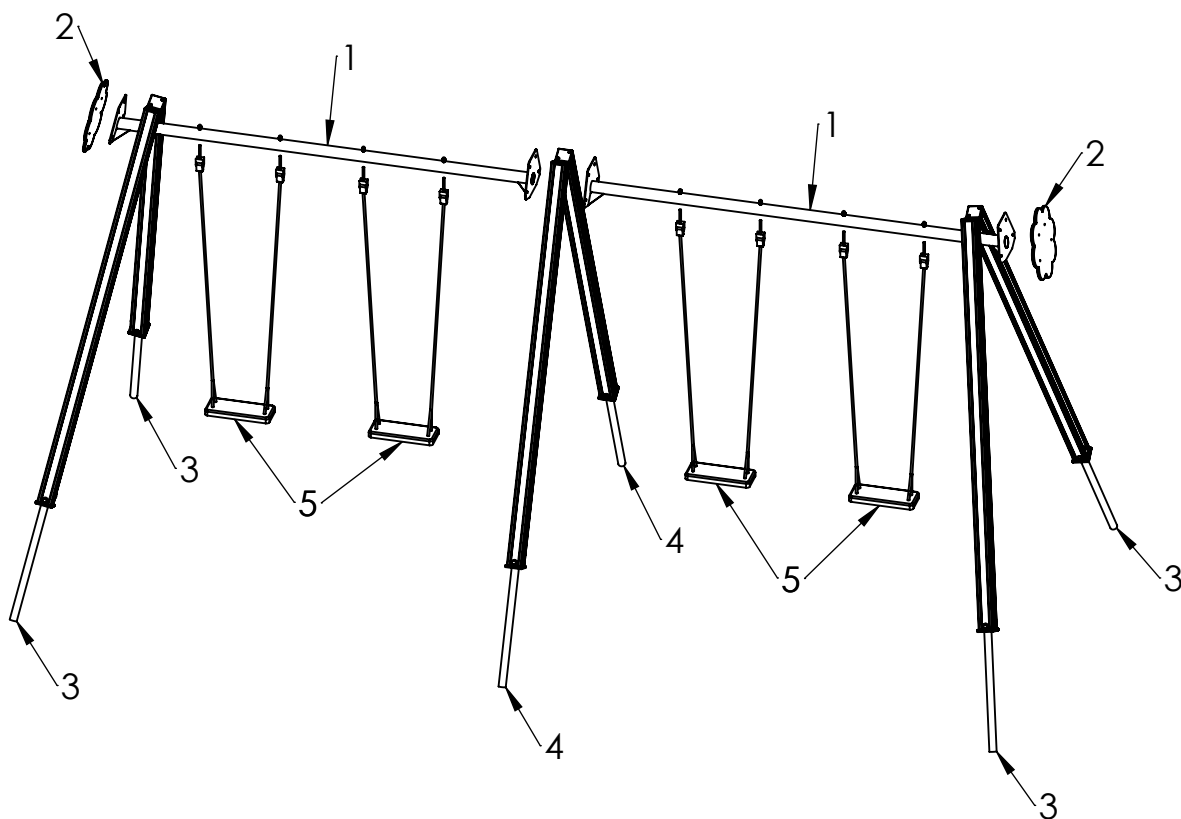
Tiptaptap OÜ
Veetorni 9,
Jüri alevik, Rae vald,
75301 Harjumaa

A


B

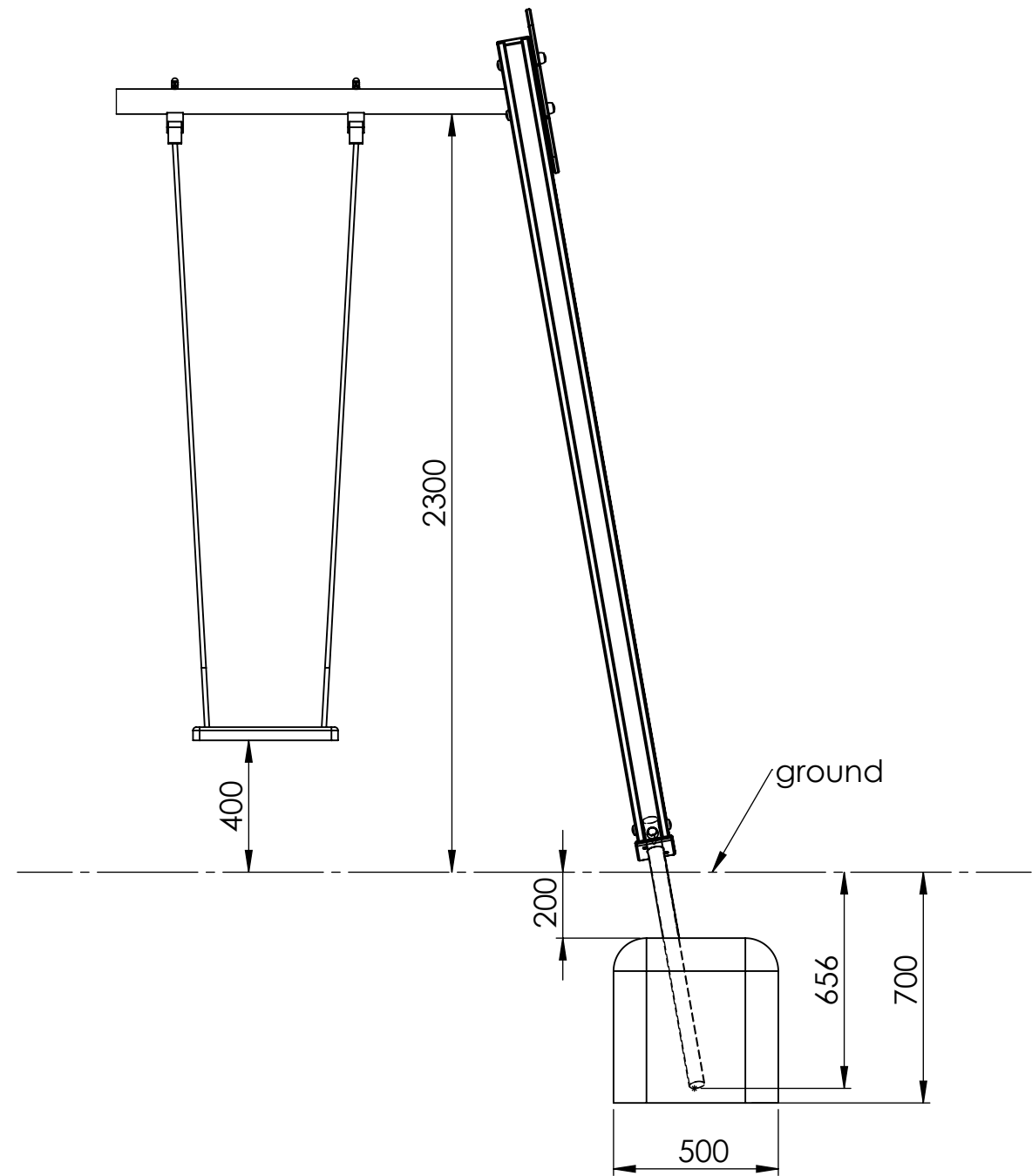
C

D



ITEM NO.	PART NUMBER	DESCRIPTION	QTY.
1	beam 76x2860	galvanized steel	2
2	side fixture	plastic	2
3	post 98x98x2720	aluminium, PE plastic	4
4	post 98s98s2695	aluminium, PE plastic	2
5	seat complet with fixings	rubber compound with aluminium insert	4

UNLESS OTHERWISE SPECIFIED: DIMENSIONS ARE IN MILLIMETERS WEIGHT ARE IN KILOGRAMM				PART NUMBER / DWG NO.: K008 AL	
	NAME	SIGNATURE	DATE	REVISION	
DRAWN	M.Rebase		25.06.2015		
APPV'D					
 Tiptaptap OÜ Veetorni 9, Jüri alevik, Rae vald, 75301 Harjumaa				DESCRIPTION: Swing construction BELL-FLOWER 4 places	
				MATERIAL:	wood, metal, plastic
				WEIGHT:	A4
				SCALE: 1:50	SHEET 5 OF 9



UNLESS OTHERWISE SPECIFIED:
DIMENSIONS ARE IN MILLIMETERS
WEIGHT ARE IN KILOGRAMM

PART NUMBER / DWG NO.:

K008 AL

	NAME	SIGNATURE	DATE	REVISION
DRAWN	M.Rebase		25.06.2015	
APPV'D				

DESCRIPTION:

Swing construction BELL-FLOWER 4 places



Tiptaptap OÜ

Tiptaptap OÜ
Veetorni 9,
Jüri alevik, Rae vald,
75301 Harjumaa

MATERIAL:

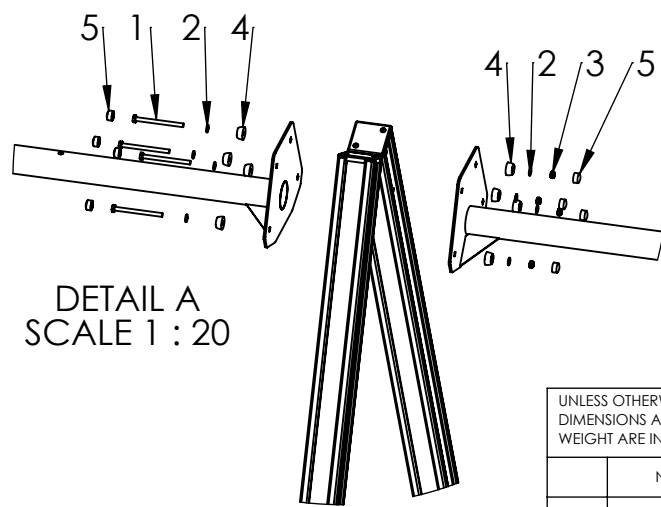
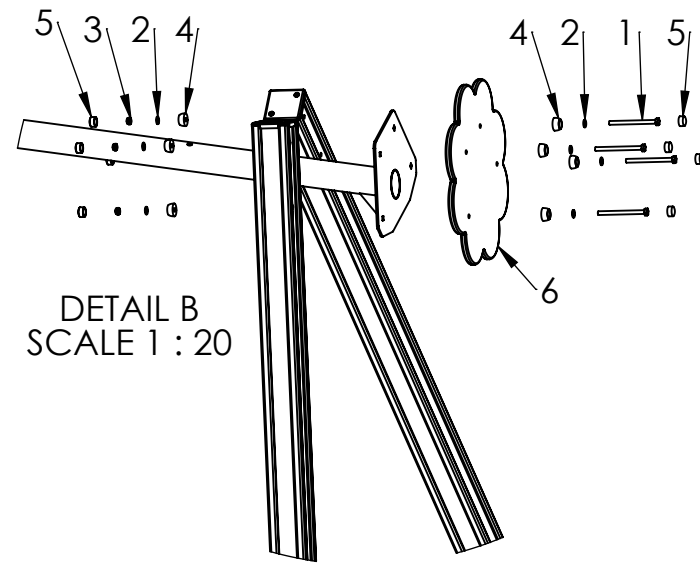
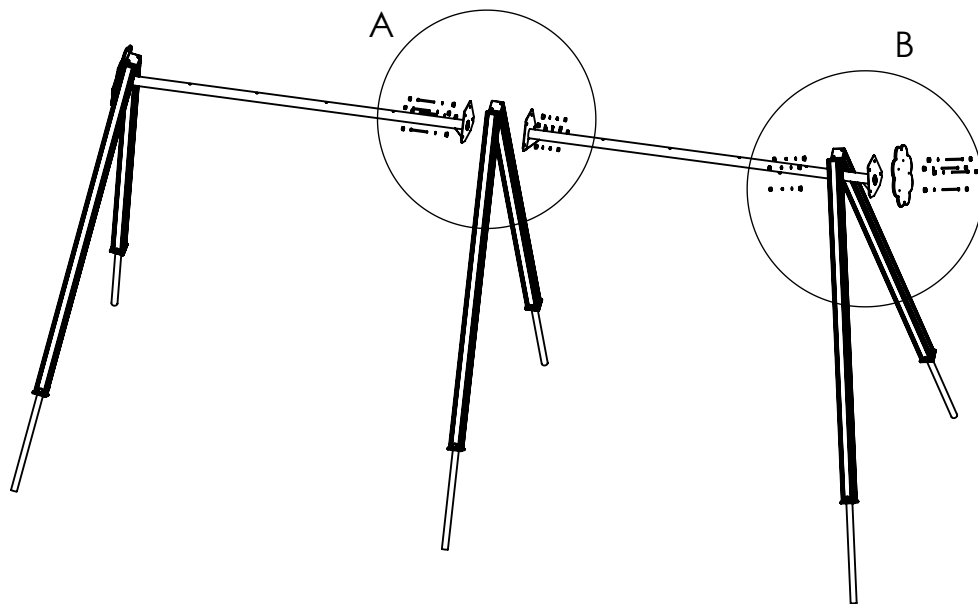
wood, metal, plastic

A4

WEIGHT:

SCALE: 1:100

SHEET 6 OF 9



ITEM NO.	PART NUMBER
1	bolt DIN931 M10x130
2	washer M10
3	nut DIN985 M10
4	nut cover M10
5	nut cover cap M10
6	side fixture

UNLESS OTHERWISE SPECIFIED:
DIMENSIONS ARE IN MILLIMETERS
WEIGHT ARE IN KILOGRAMM

	NAME	SIGNATURE	DATE	REVISION
DRAWN	M.Rebase		25.06.2015	
APPV'D				

PART NUMBER / DWG NO.:

K008 AL

DESCRIPTION:

Swing construction BELL-FLOWER 4 places

MATERIAL:

wood, metal, plastic

A4

WEIGHT:

SCALE: 1:60

SHEET 7 OF 9



Tiptiptap OÜ

Tiptiptap OÜ
Veetorni 9,
Jüri alevik, Rae vald,
75301 Harjumaa

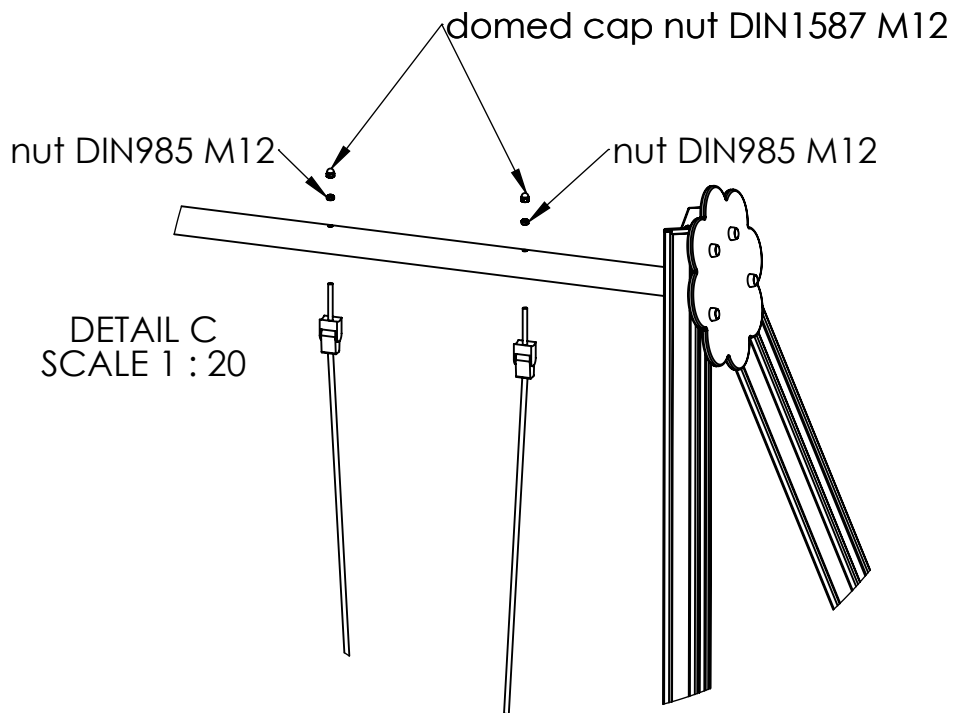
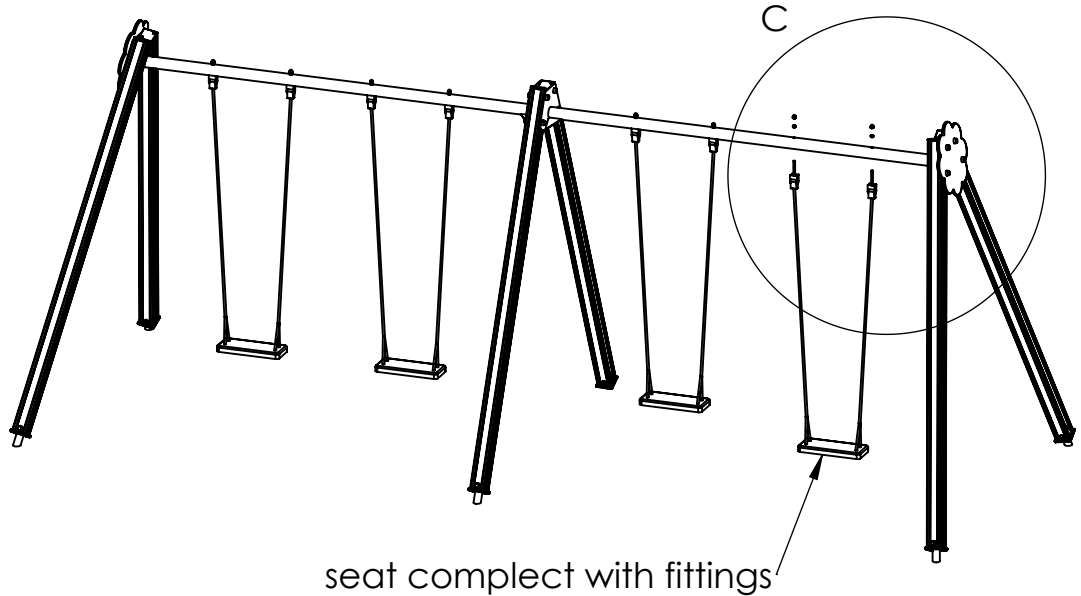
A

B

C

D

E



UNLESS OTHERWISE SPECIFIED:
DIMENSIONS ARE IN MILLIMETERS
WEIGHT ARE IN KILOGRAMM

PART NUMBER / DWG NO.:
K008 AL

	NAME	SIGNATURE	DATE	REVISION
DRAWN	M.Rebase		25.06.2015	
APPV'D				

DESCRIPTION:
Swing construction BELL-FLOWER 4 places



Tiptaptap OÜ
Veetorni 9,
Jüri alevik, Rae vald,
75301 Harjumaa

MATERIAL:	wood, metal, plastic	A4
WEIGHT:		SCALE: 1:50
		SHEET 8 OF 9

A

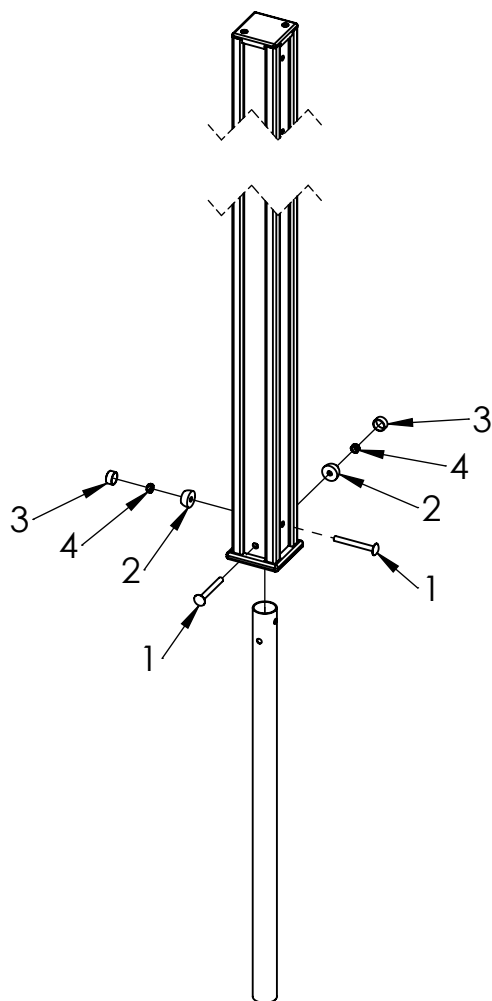
B

C

D

E

F



ITEM NO.	PART NUMBER
1	bolt DIN603 M10x90
2	nut cover M10
3	nut cover cap M10
4	nut DIN985 M10

UNLESS OTHERWISE SPECIFIED:
DIMENSIONS ARE IN MILLIMETERS
WEIGHT ARE IN KILOGRAMM

PART NUMBER / DWG NO.:

K008 AL

	NAME	SIGNATURE	DATE	REVISION
DRAWN	M.Rebase		25.06.2015	
APPV'D				

DESCRIPTION:

Swing construction BELL-FLOWER 4 places
connecting ground fixing to post

MATERIAL:

wood, metal, plastic

A4

WEIGHT:

SCALE: 1:15

SHEET 9 OF 9



Tiptiptap OÜ

Tiptiptap OÜ
Veetorni 9,
Jüri alevik, Rae vald,
75301 Harjumaa