

A

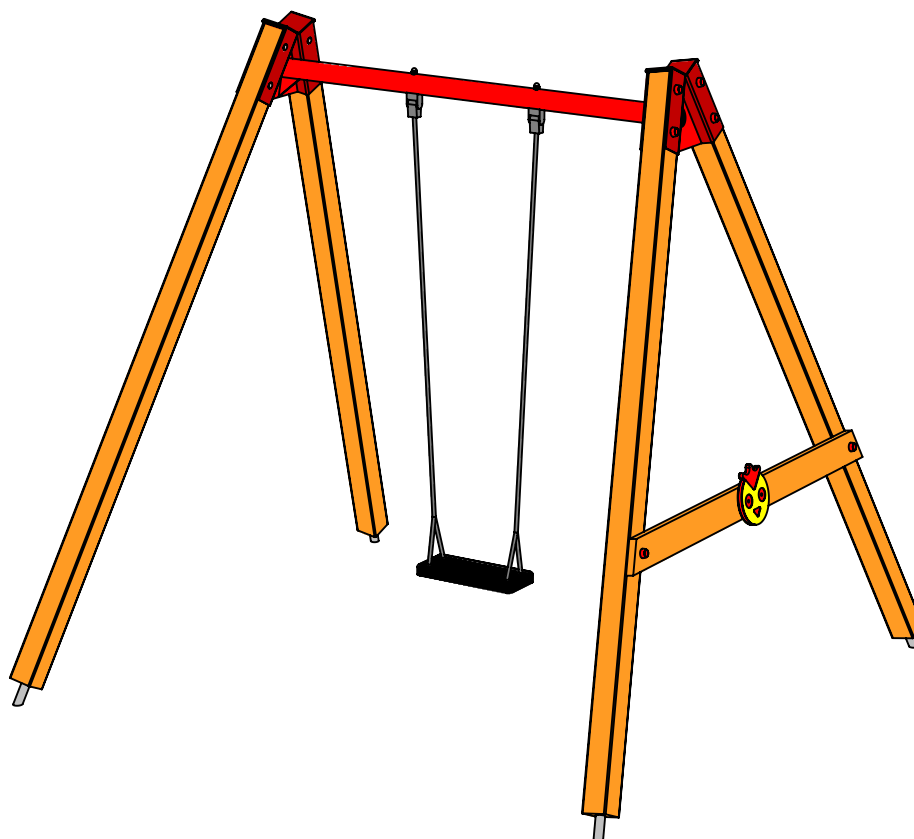
B

C

D

E

F



UNLESS OTHERWISE SPECIFIED:
DIMENSIONS ARE IN MILLIMETERS
WEIGHT ARE IN KILOGRAMM

PART NUMBER / DWG NO.:

K003

	NAME	SIGNATURE	DATE	REVISION
DRAWN	M.Rebase		6.12.2013	
APPV'D				

DESCRIPTION:

Swing construction BABY BIRD



Tiptaptap OÜ

Tiptaptap OÜ
Veetorni 9,
Jüri alevik, Rae vald,
75301 Harjumaa

MATERIAL:

wood, metal, plastic

A4

WEIGHT:

SCALE: 1:25

SHEET 1 OF 9

safety area

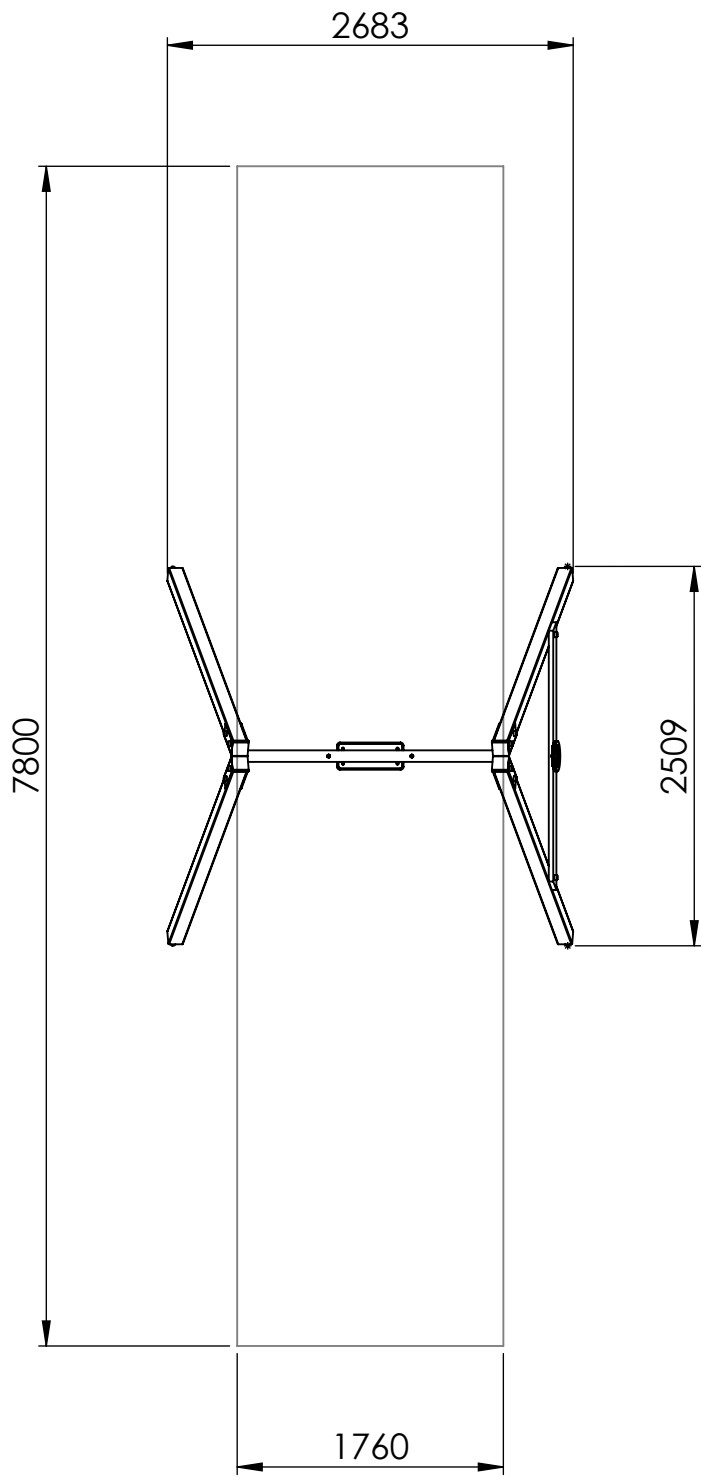
A

B

C

D

E



UNLESS OTHERWISE SPECIFIED:
 DIMENSIONS ARE IN MILLIMETERS
 WEIGHT ARE IN KILOGRAMM

PART NUMBER / DWG NO.:
K003

	NAME	SIGNATURE	DATE	REVISION
DRAWN	M.Rebase		6.12.2013	
APPV'D				

DESCRIPTION:
Swing construction BABY BIRD

 **Tiptaptap** OÜ
 Veetorni 9,
 Jüri alevik, Rae vald,
 75301 Harjumaa

MATERIAL:	wood, metal, plastic	A4
WEIGHT:		SCALE: 1:25
		SHEET 2 OF 9

foundation

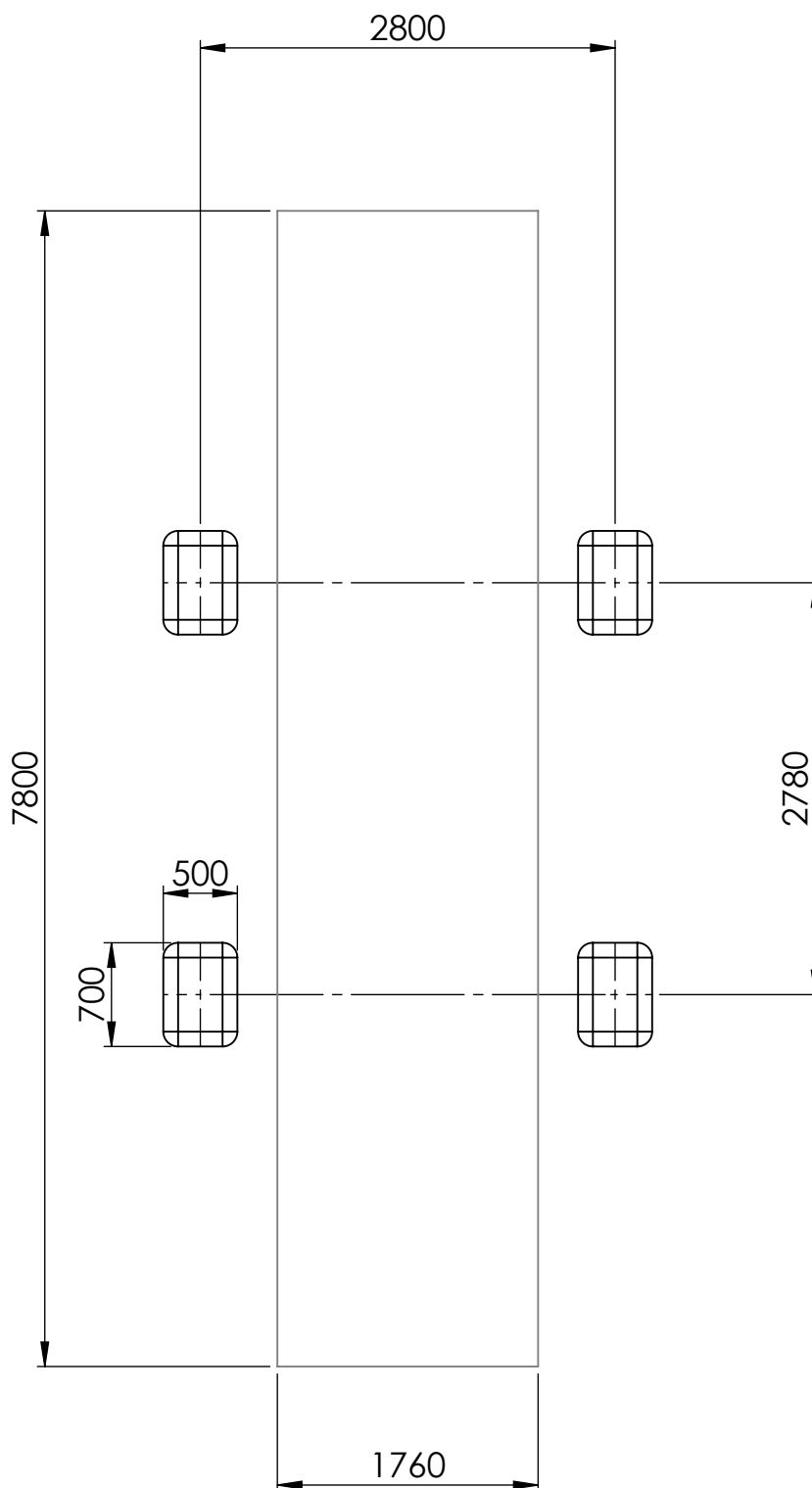
A

B

C

D

E



UNLESS OTHERWISE SPECIFIED:
DIMENSIONS ARE IN MILLIMETERS
WEIGHT ARE IN KILOGRAMM

PART NUMBER / DWG NO.:

K003

	NAME	SIGNATURE	DATE	REVISION
DRAWN	M.Rebase		6.12.2013	
APPV'D				

DESCRIPTION:

Swing construction BABY BIRD

F



Tiptaptap OÜ

Tiptaptap OÜ
Veetorni 9,
Jüri alevik, Rae vald,
75301 Harjumaa

MATERIAL:

wood, metal, plastic

A4

WEIGHT:

SCALE: 1:25

SHEET 3 OF 9

A

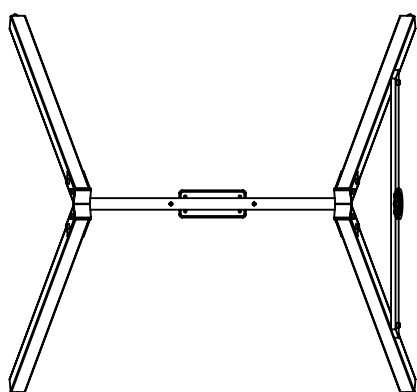
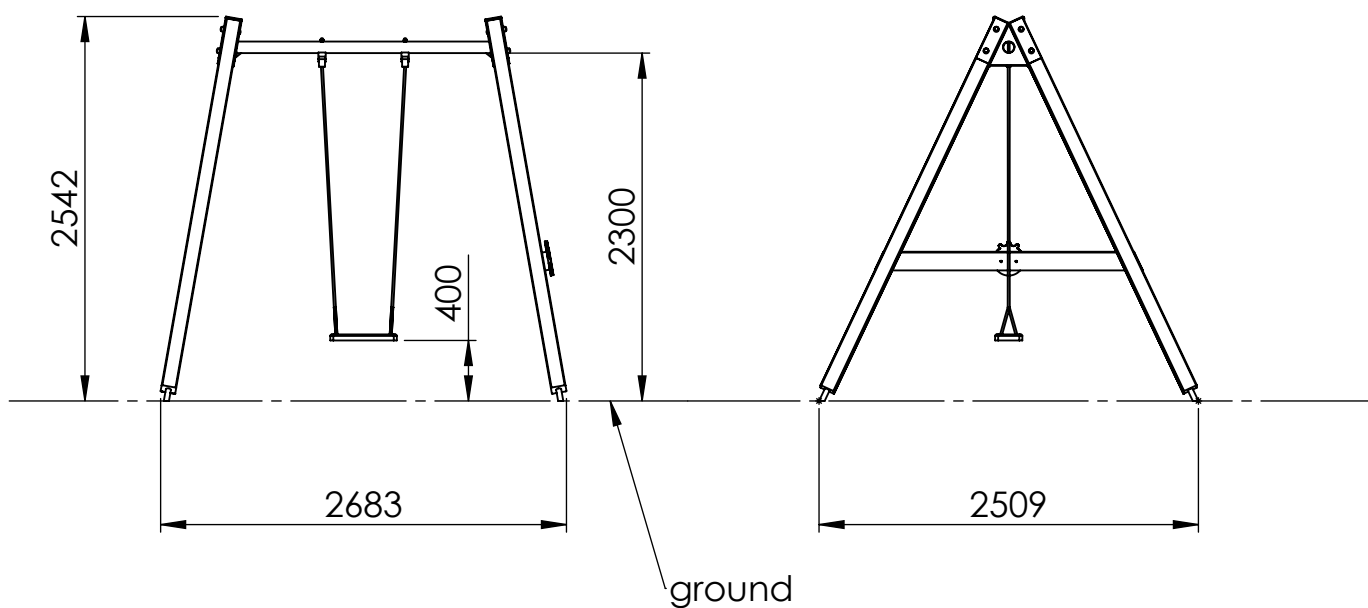
B

C

D

E

F



UNLESS OTHERWISE SPECIFIED:
DIMENSIONS ARE IN MILLIMETERS
WEIGHT ARE IN KILOGRAMM

PART NUMBER / DWG NO.:

K003

	NAME	SIGNATURE	DATE	REVISION
DRAWN	M.Rebase		6.12.2013	
APPV'D				

DESCRIPTION:

Swing construction BABY BIRD



Tiptaptap OÜ

Tiptaptap OÜ
Veetorni 9,
Jüri alevik, Rae vald,
75301 Harjumaa

MATERIAL:

wood, metal, plastic

A4

WEIGHT:

SCALE: 1:50

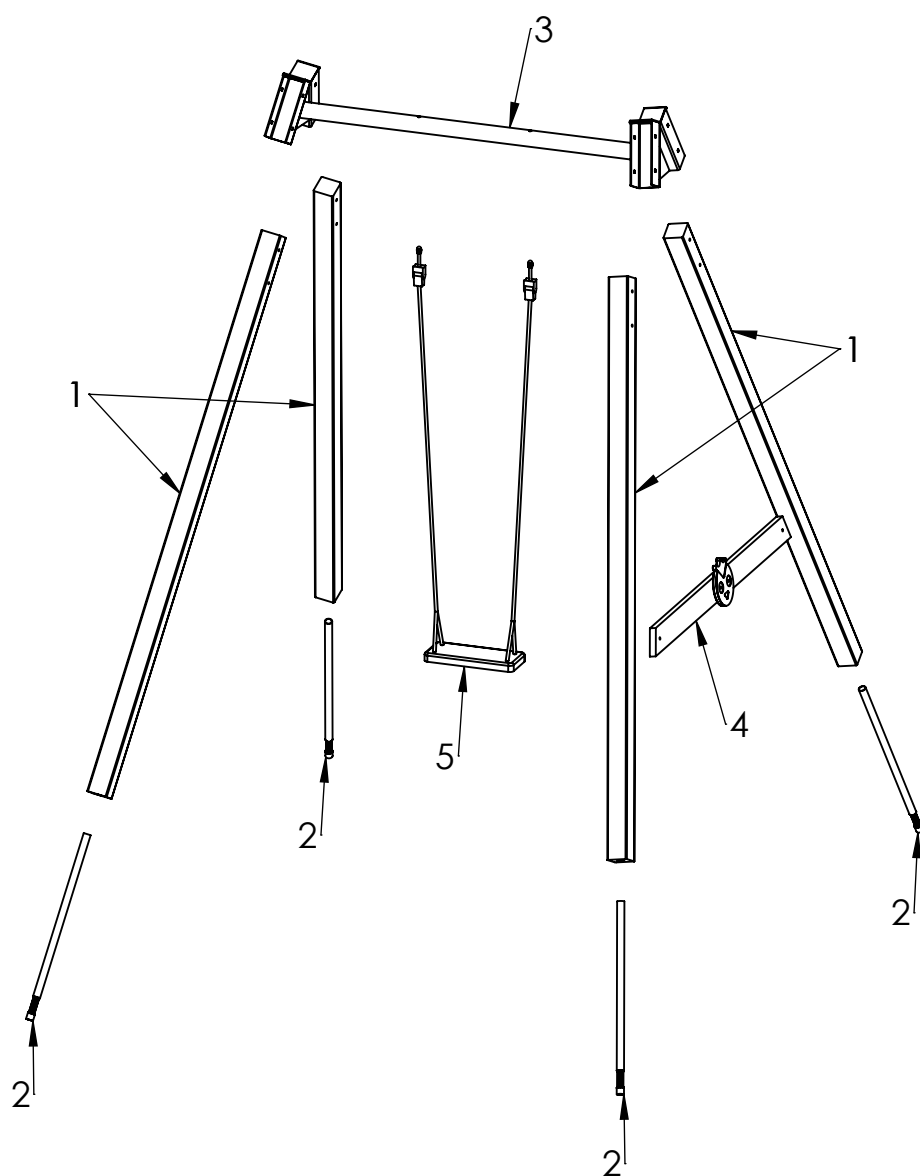
SHEET 4 OF 9

A


B

C

D



ITEM NO.	PART NUMBER	DESCRIPTION	QTY.
1	post 98x98x2720	laminated wood	4
2	metal ground fixing L_900	galvanized steel	4
3	beam 76x1930	galvanized painted steel	1
4	board 30x120x1770	laminated wood	1
5	seat complete with fittings	rubber compound with aluminium insert	1

UNLESS OTHERWISE SPECIFIED: DIMENSIONS ARE IN MILLIMETERS WEIGHT ARE IN KILOGRAMM				PART NUMBER / DWG NO.: K003	
	NAME	SIGNATURE	DATE	REVISION	
DRAWN	M.Rebase		6.12.2013		
APPV'D					
 Tiptiptap OÜ Veetorni 9, Jüri alevik, Rae vald, 75301 Harjumaa				DESCRIPTION: Swing construction BABY BIRD	
				MATERIAL:	wood, metal, plastic
				WEIGHT:	A4
				SCALE: 1:35	SHEET 5 OF 9

A

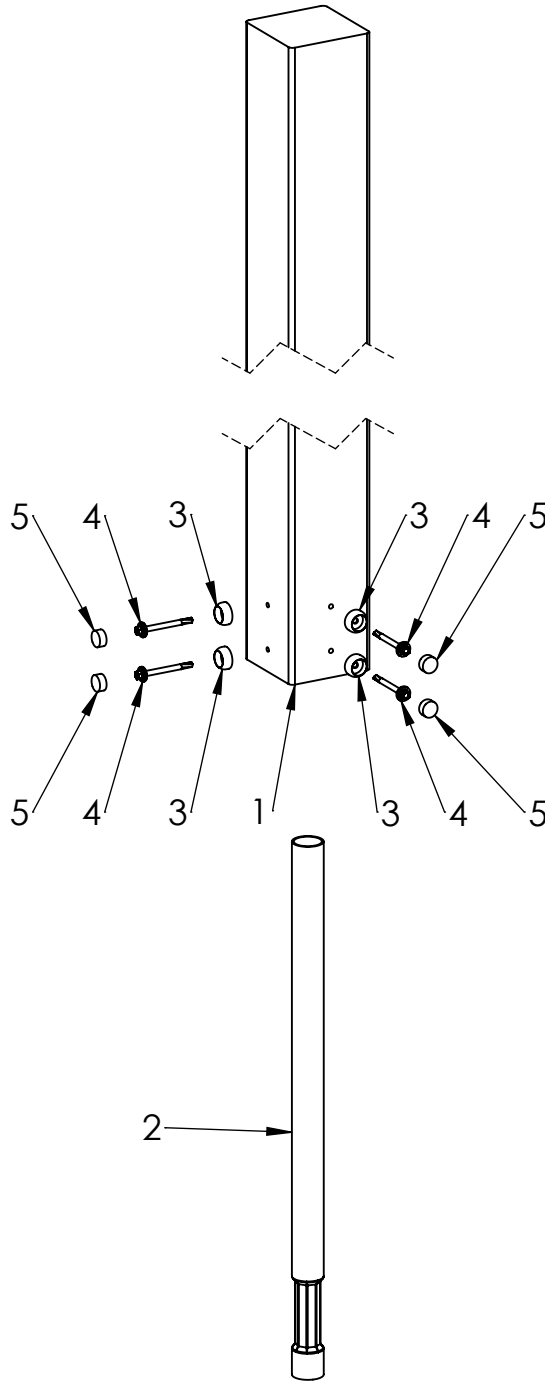
B

C

D

E

F



ITEM NO.	PART NUMBER
1	post 98x98x2100
2	metal ground fixing L_900
3	nut cover M6
4	screw DIN7504K 5,5x68
5	nut cover cap M6

UNLESS OTHERWISE SPECIFIED:
DIMENSIONS ARE IN MILLIMETERS
WEIGHT ARE IN KILOGRAMM

PART NUMBER / DWG NO.:

K003

	NAME	SIGNATURE	DATE	REVISION
DRAWN	M.Rebase		6.12.2013	
APPV'D				

DESCRIPTION:

Swing construction BABY BIRD
connecting metal ground fixing to post



Tiptaptap OÜ

Tiptaptap OÜ
Veetorni 9,
Jüri alevik, Rae vald,
75301 Harjumaa

MATERIAL:

wood, metal, plastic

A4

WEIGHT:

SCALE: 1:8

SHEET 6 OF 9

A

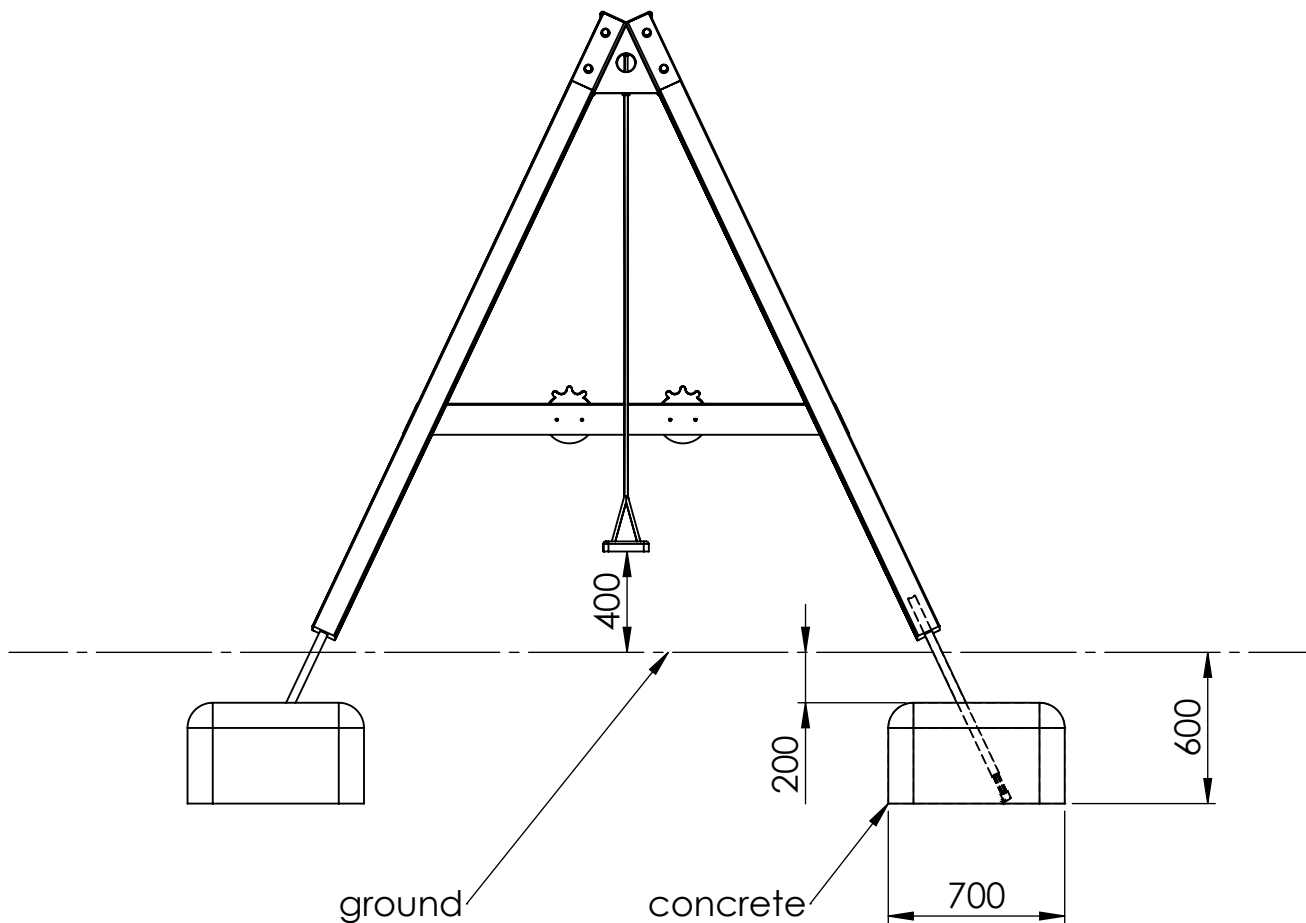
B

C

D

E

F



UNLESS OTHERWISE SPECIFIED:
 DIMENSIONS ARE IN MILLIMETERS
 WEIGHT ARE IN KILOGRAMM

PART NUMBER / DWG NO.:

K003

	NAME	SIGNATURE	DATE	REVISION
DRAWN	M.Rebase		6.12.2013	
APPV'D				

DESCRIPTION:

Swing construction BABY BIRD



Tiptiptap OÜ

Tiptiptap OÜ
 Veetorni 9,
 Jüri alevik, Rae vald,
 75301 Harjumaa

MATERIAL:

wood, metal, plastic

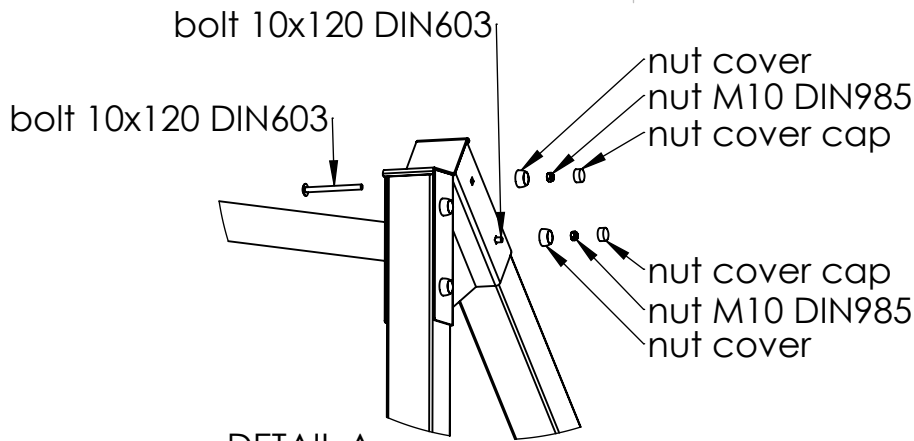
A4

WEIGHT:

SCALE: 1:30

SHEET 7 OF 9

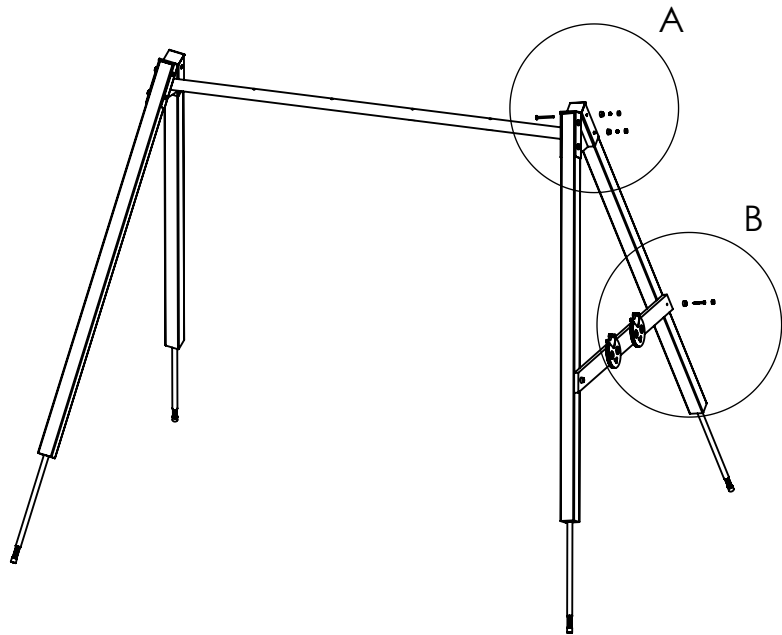
A



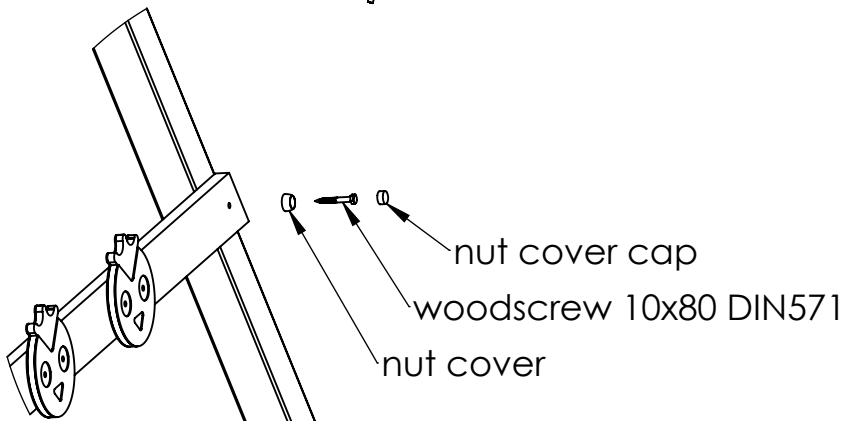
DETAIL A
SCALE 1 : 15

B

C



D



DETAIL B
SCALE 1 : 15

E

F

UNLESS OTHERWISE SPECIFIED:
DIMENSIONS ARE IN MILLIMETERS
WEIGHT ARE IN KILOGRAMM

PART NUMBER / DWG NO.:

K003

NAME	SIGNATURE	DATE	REVISION
DRAWN M.Rebase		6.12.2013	
APPV'D			

DESCRIPTION:

Swing construction BABY BIRD



Tiptaptap OÜ

Tiptaptap OÜ
Veetorni 9,
Jüri alevik, Rae vald,
75301 Harjumaa

MATERIAL:

wood, metal, plastic

A4

WEIGHT:

SCALE: 1:50

SHEET 8 OF 9

A

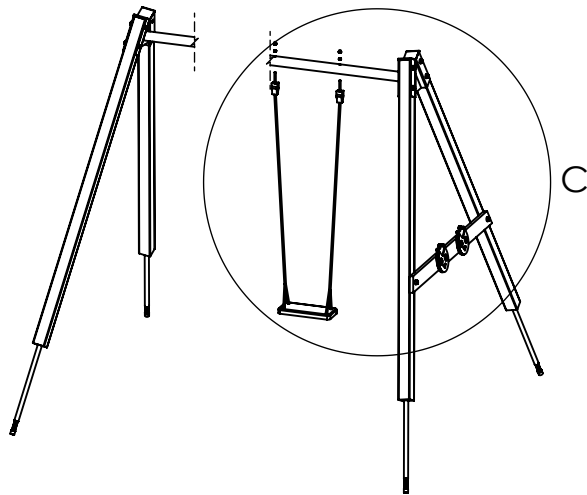
B

C

D

E

F

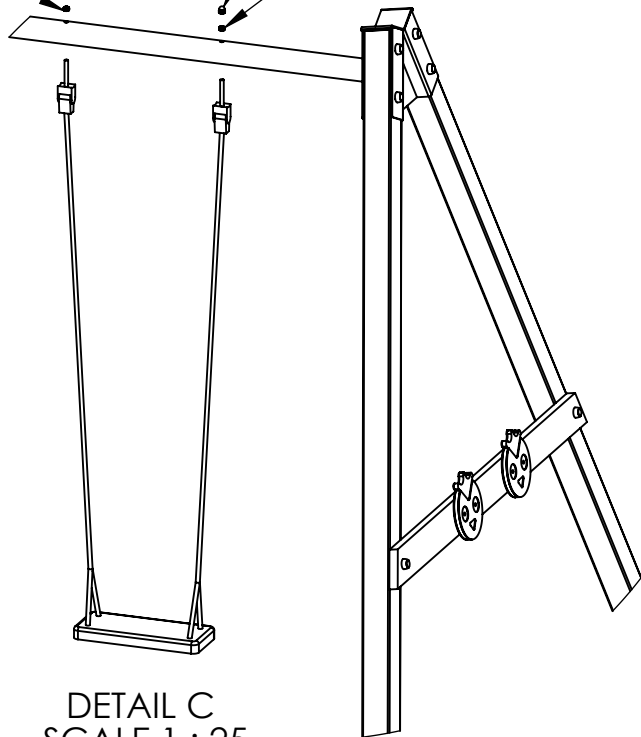


domed cap nut M12 DIN 1587

domed cap nut M12 DIN1587

nut M12 DIN985

nut M12 DIN985



DETAIL C
SCALE 1 : 25

UNLESS OTHERWISE SPECIFIED:
DIMENSIONS ARE IN MILLIMETERS
WEIGHT ARE IN KILOGRAMM

PART NUMBER / DWG NO.:

K003

	NAME	SIGNATURE	DATE	REVISION
DRAWN	M.Rebase		6.12.2013	
APPV'D				

DESCRIPTION:

Swing construction BABY BIRD



Tiptiptap OÜ

Tiptiptap OÜ
Veetorni 9,
Jüri alevik, Rae vald,
75301 Harjumaa

MATERIAL:

wood, metal, plastic

A4

WEIGHT:

SCALE: 1:60

SHEET 9 OF 9