

A

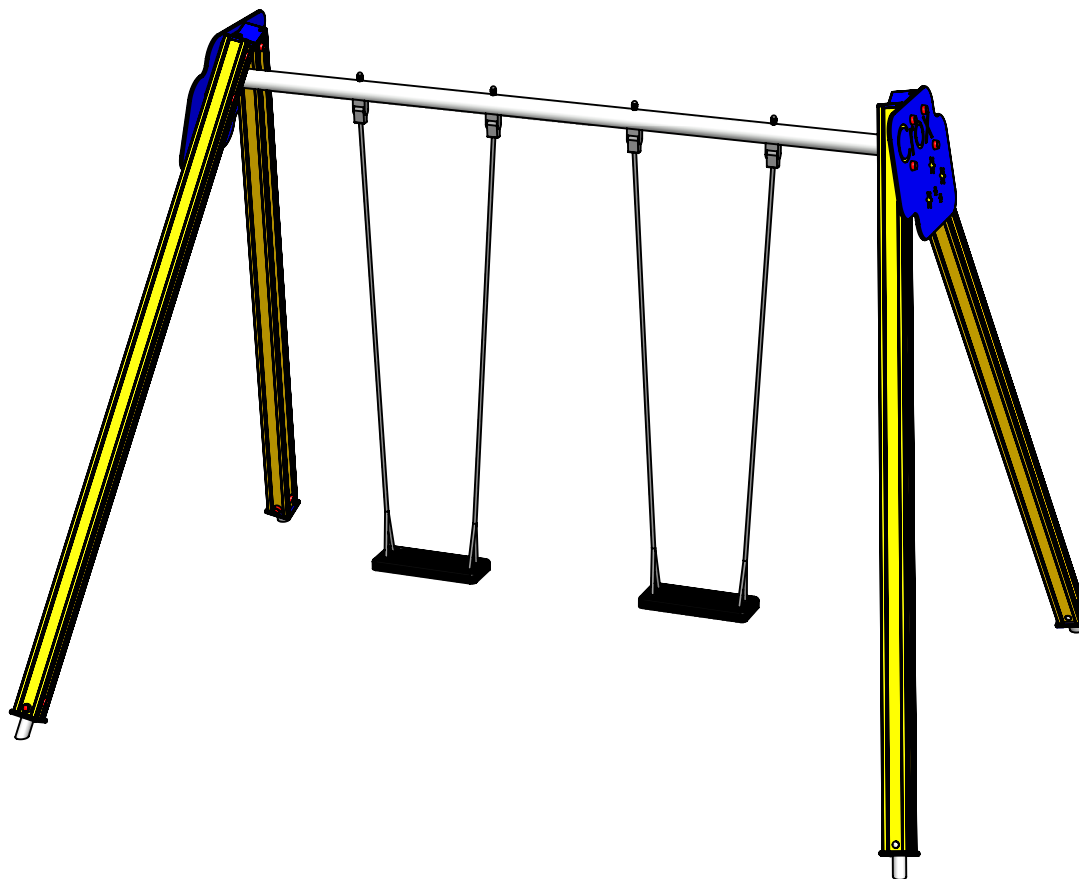
B

C

D

E

F



UNLESS OTHERWISE SPECIFIED:
DIMENSIONS ARE IN MILLIMETERS
WEIGHT ARE IN KILOGRAMM

PART NUMBER / DWG NO.:

K002 Z AL

	NAME	SIGNATURE	DATE	REVISION
DRAWN	M.Rebase		26.06.2015	
APPV'D				

DESCRIPTION:

Swing construction CROX, 2 places



Tiptaptap OÜ

Tiptaptap OÜ
Veetorni 9,
Jüri alevik, Rae vald,
75301 Harjumaa

MATERIAL:

wood, metal, plastic

A4

WEIGHT:

SCALE: 1:25

SHEET 1 OF 8

safety area

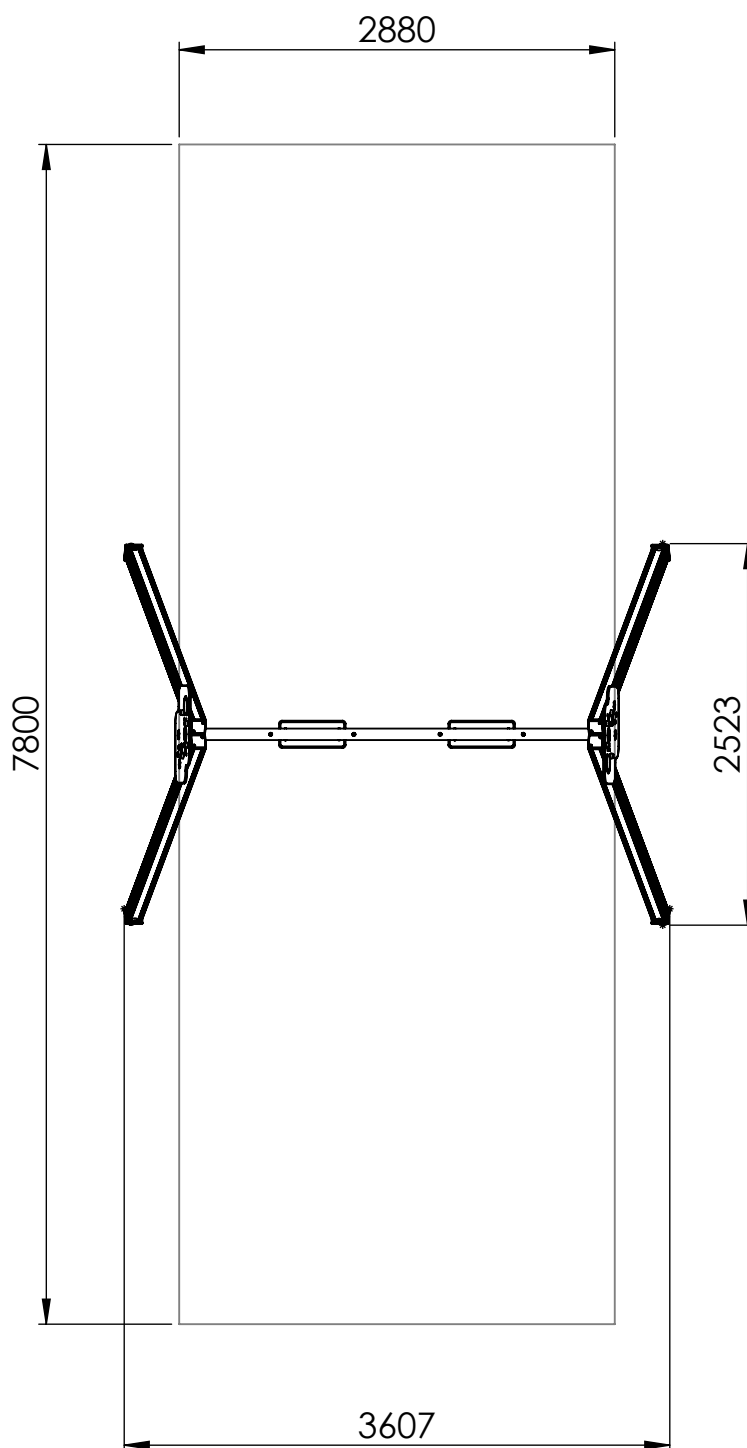
A

B

C

D

E



UNLESS OTHERWISE SPECIFIED:
DIMENSIONS ARE IN MILLIMETERS
WEIGHT ARE IN KILOGRAMM

PART NUMBER / DWG NO.:

K002 Z AL

	NAME	SIGNATURE	DATE	REVISION
DRAWN	M.Rebase		26.06.2015	
APPV'D				

DESCRIPTION:

Swing construction CROX, 2 places

F



Tiptiptap OÜ

Tiptiptap OÜ
Veetorni 9,
Jüri alevik, Rae vald,
75301 Harjumaa

MATERIAL:

wood, metal, plastic

A4

WEIGHT:

SCALE: 1:50

SHEET 2 OF 8

foundation

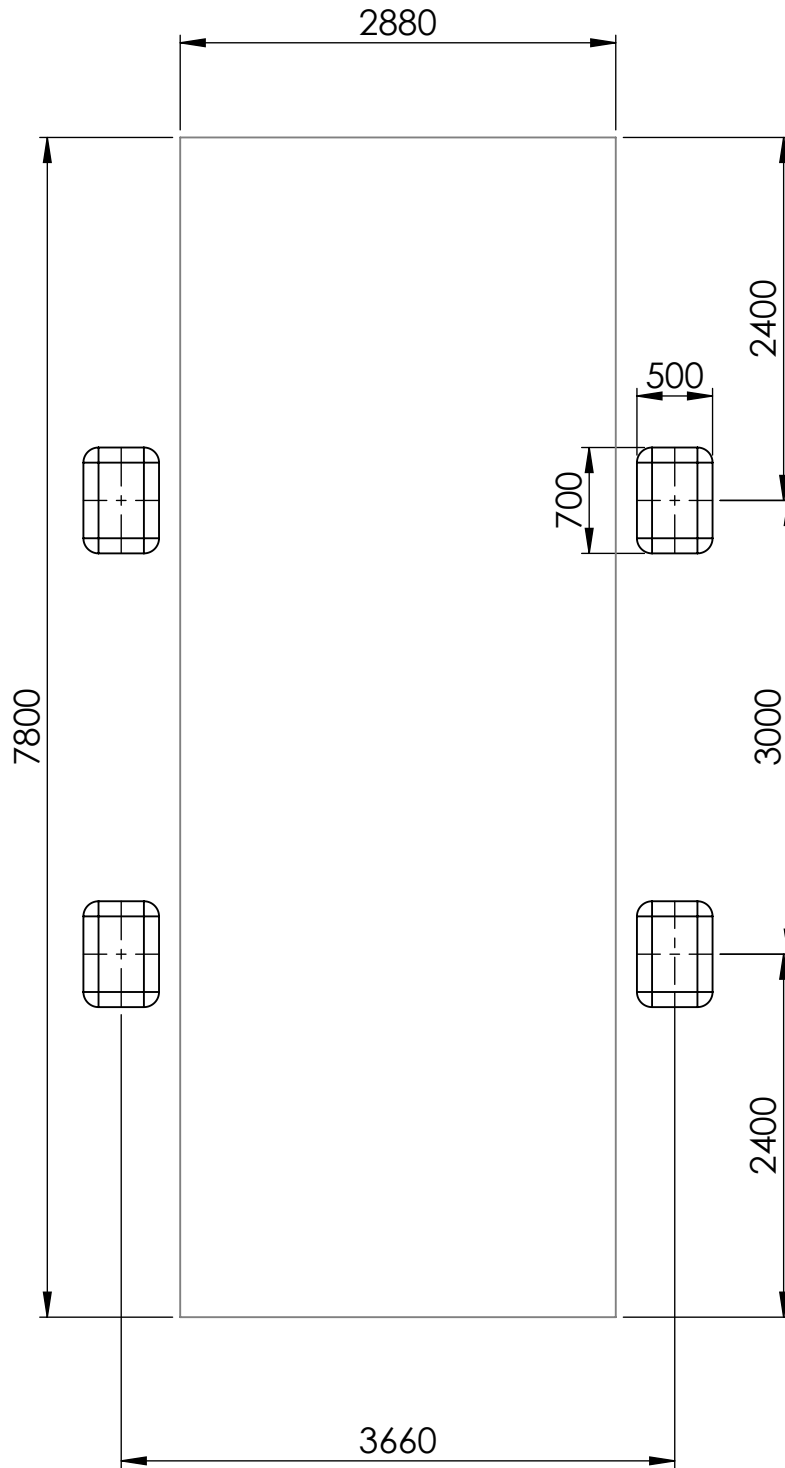
A

B

C

D

E



UNLESS OTHERWISE SPECIFIED:
DIMENSIONS ARE IN MILLIMETERS
WEIGHT ARE IN KILOGRAMM

PART NUMBER / DWG NO.:

K002 Z AL

	NAME	SIGNATURE	DATE	REVISION
DRAWN	M.Rebase		26.06.2015	
APPV'D				

DESCRIPTION:

Swing construction CROX, 2 places

F



Tiptaptap OÜ

Tiptaptap OÜ
Veetorni 9,
Jüri alevik, Rae vald,
75301 Harjumaa

MATERIAL:

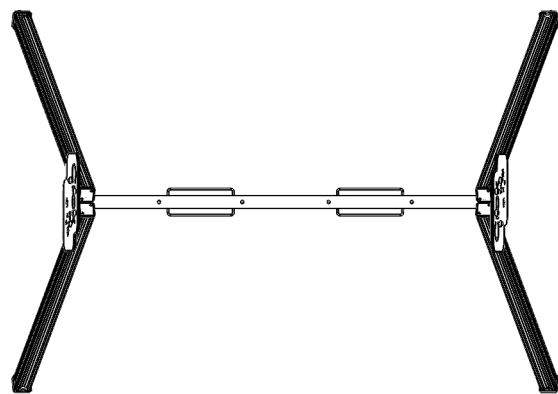
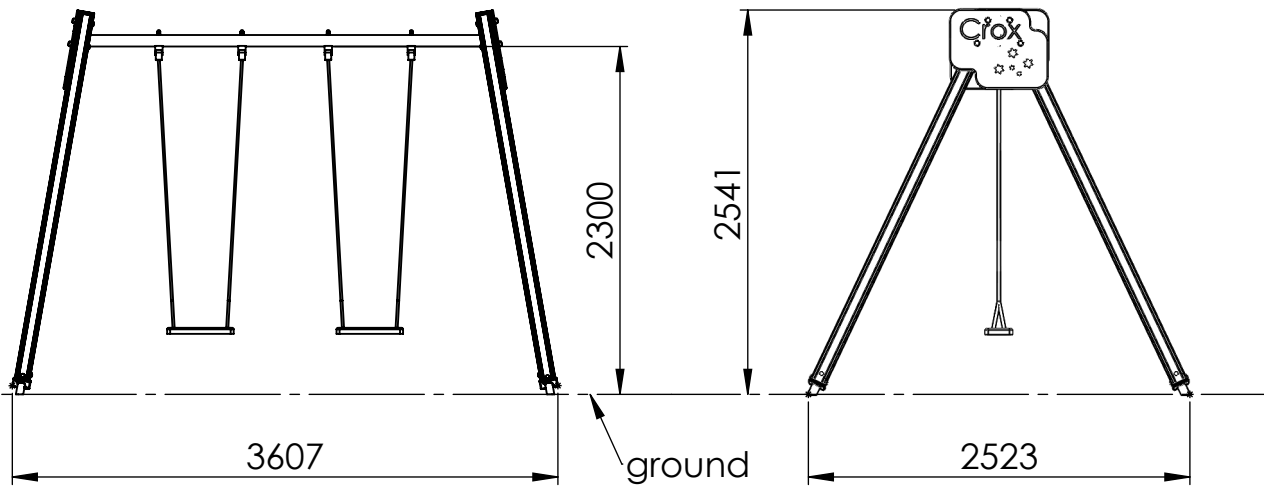
wood, metal, plastic

A4

WEIGHT:

SCALE: 1:50

SHEET 3 OF 8



UNLESS OTHERWISE SPECIFIED:
DIMENSIONS ARE IN MILLIMETERS
WEIGHT ARE IN KILOGRAMM

PART NUMBER / DWG NO.:

K002 Z AL

	NAME	SIGNATURE	DATE	REVISION
DRAWN	M.Rebase		26.06.2015	
APPV'D				

DESCRIPTION:

Swing construction CROX, 2 places



Tiptaptap OÜ

Tiptaptap OÜ
Veetorni 9,
Jüri alevik, Rae vald,
75301 Harjumaa

MATERIAL:

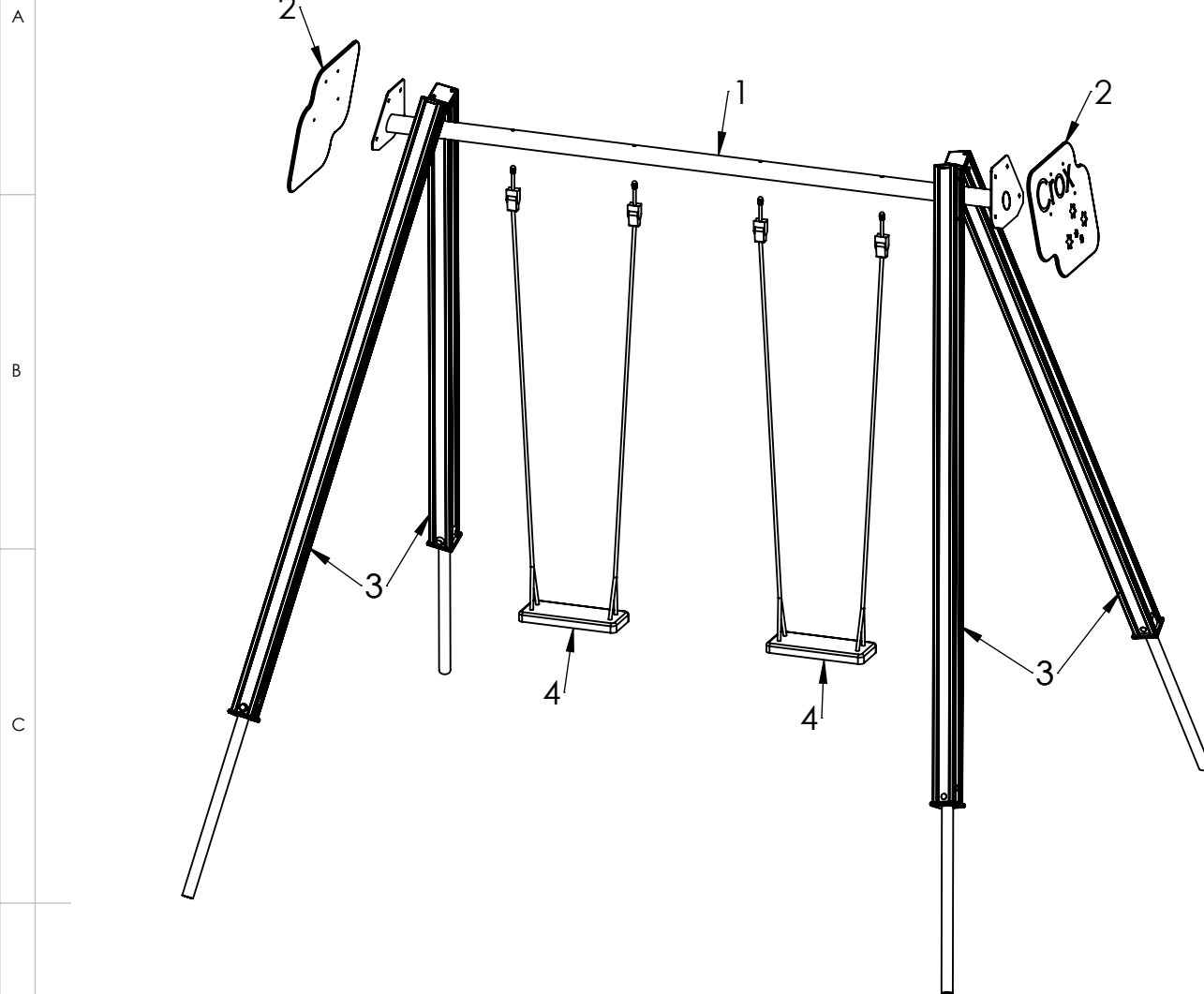
wood, metal, plastic

A4

WEIGHT:

SCALE: 1:50

SHEET 4 OF 8



D

E

F

ITEM NO.	PART NUMBER	DESCRIPTION	QTY.
1	beam 76x2828	galvanized steel	1
2	side fixture "CROX"	PE plastic	2
3	post 98x98x2720	aluminium, PE plastic	4
4	seat complete with fixings	rubber compound with aluminium insert	2

UNLESS OTHERWISE SPECIFIED:
DIMENSIONS ARE IN MILLIMETERS
WEIGHT ARE IN KILOGRAMM

PART NUMBER / DWG NO.:

K002 Z AL

	NAME	SIGNATURE	DATE	REVISION
DRAWN	M.Rebase		26.06.2015	
APPV'D				

DESCRIPTION:

Swing construction CROX, 2 places

MATERIAL:

wood, metal, plastic

A4

WEIGHT:

SCALE: 1:30

SHEET 5 OF 8



Tiptiptap OÜ

Tiptiptap OÜ
Veetorni 9,
Jüri alevik, Rae vald,
75301 Harjumaa

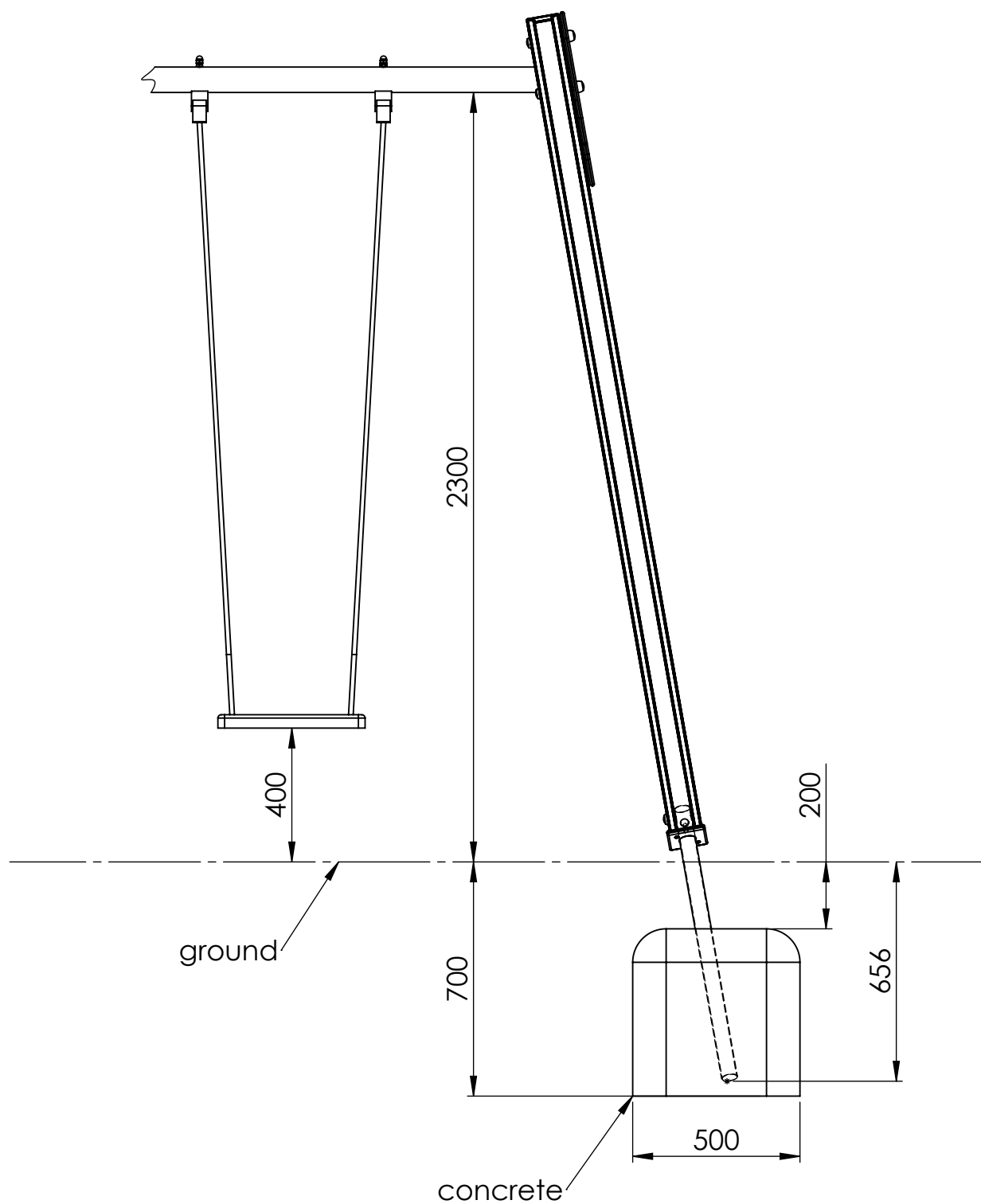
A

B

C

D

E



UNLESS OTHERWISE SPECIFIED:
DIMENSIONS ARE IN MILLIMETERS
WEIGHT ARE IN KILOGRAMM

PART NUMBER / DWG NO.:

K002 Z AL

	NAME	SIGNATURE	DATE	REVISION
DRAWN	M.Rebase		26.06.2015	
APPV'D				

DESCRIPTION:

Swing construction CROX, 2 places

F



Tiptiptap OÜ

Tiptiptap OÜ
Veetorni 9,
Jüri alevik, Rae vald,
75301 Harjumaa

MATERIAL:

wood, metal, plastic

A4

WEIGHT:

SCALE: 1:18

SHEET 6 OF 8

A

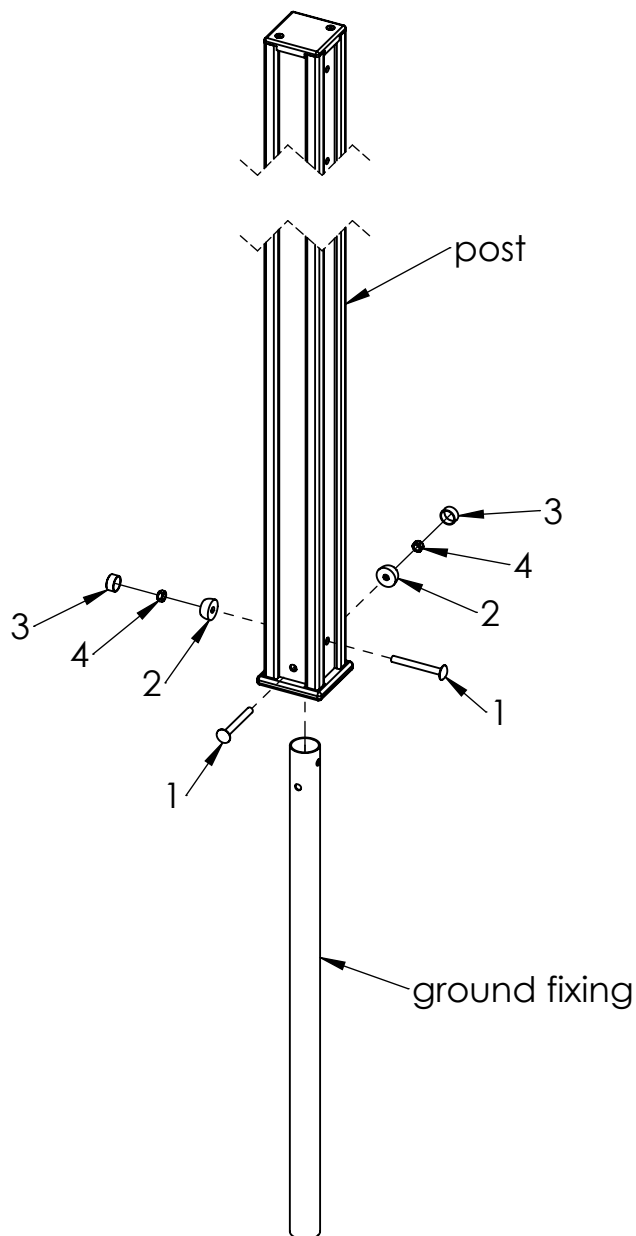
B

C

D

E

F



ITEM NO.	PART NUMBER
1	bolt DIN603 M10x90
2	nut cover M10
3	nut cover cap M10
4	nut DIN985 M10

UNLESS OTHERWISE SPECIFIED:
DIMENSIONS ARE IN MILLIMETERS
WEIGHT ARE IN KILOGRAMM

PART NUMBER / DWG NO.:

K002 Z AL

	NAME	SIGNATURE	DATE	REVISION
DRAWN	M.Rebase		26.06.2015	
APPV'D				

DESCRIPTION:

Swing construction CROX, 2 places
connecting ground fixing to post

MATERIAL:

wood, metal, plastic

A4

WEIGHT:

SCALE: 1:12

SHEET 7 OF 8

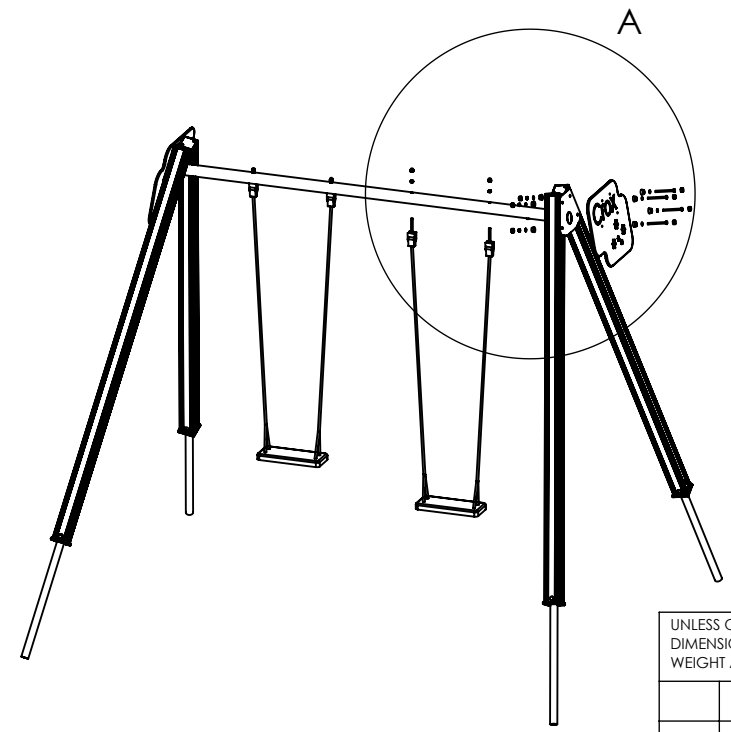
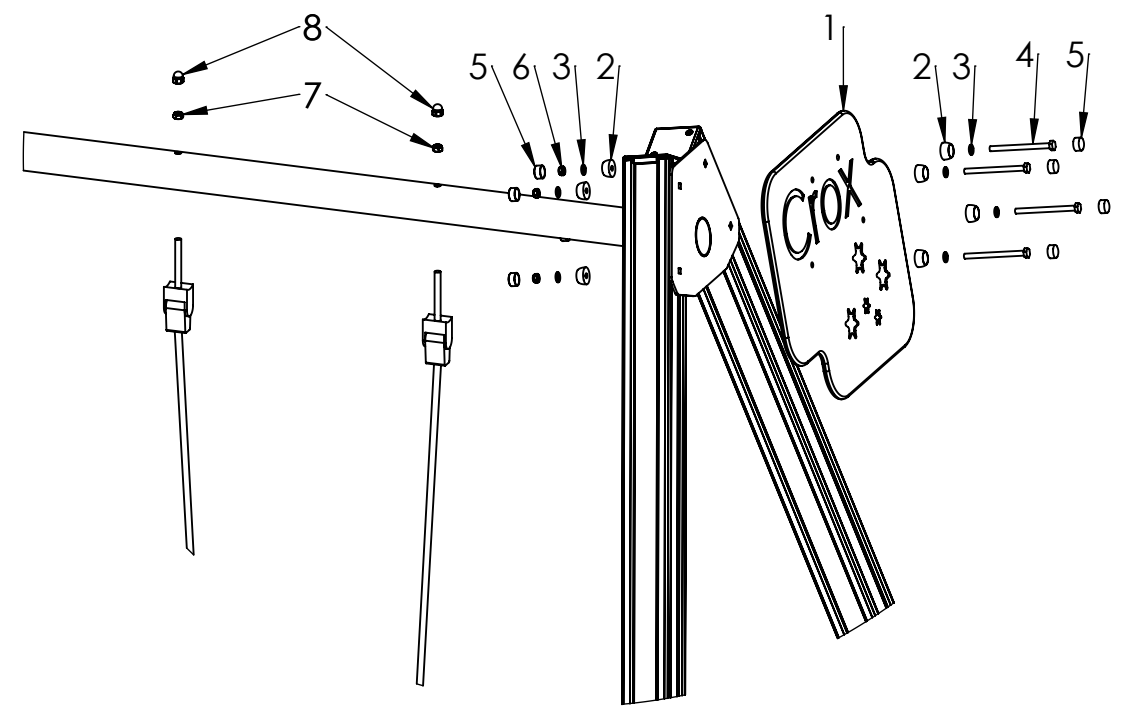


Tiptaptap OÜ

Tiptaptap OÜ
Veetorni 9,
Jüri alevik, Rae vald,
75301 Harjumaa

ITEM NO.	PART NUMBER
1	side fixture "CROX"
2	nut cover M10
3	washer M10
4	bolt DIN931 M10x130
5	nut cover cap M10
6	nut DIN985 M10
7	nut DIN985 M12
8	domed cap nut DIN1587 M12

DETAIL A
SCALE 1 : 15



UNLESS OTHERWISE SPECIFIED:
DIMENSIONS ARE IN MILLIMETERS
WEIGHT ARE IN KILOGRAMM

	NAME	SIGNATURE	DATE	REVISION
DRAWN	M.Rebase		26.06.2015	
APPV'D				

PART NUMBER / DWG NO.:
K002 Z AL

DESCRIPTION:
Swing construction CROX, 2 places



Tiptaptap OÜ
Tiptaptap OÜ
Veetorni 9,
Jüri alevik, Rae vald,
75301 Harjumaa

MATERIAL: wood, metal, plastic

WEIGHT: SCALE: 1:50 SHEET 8 OF 8