

A

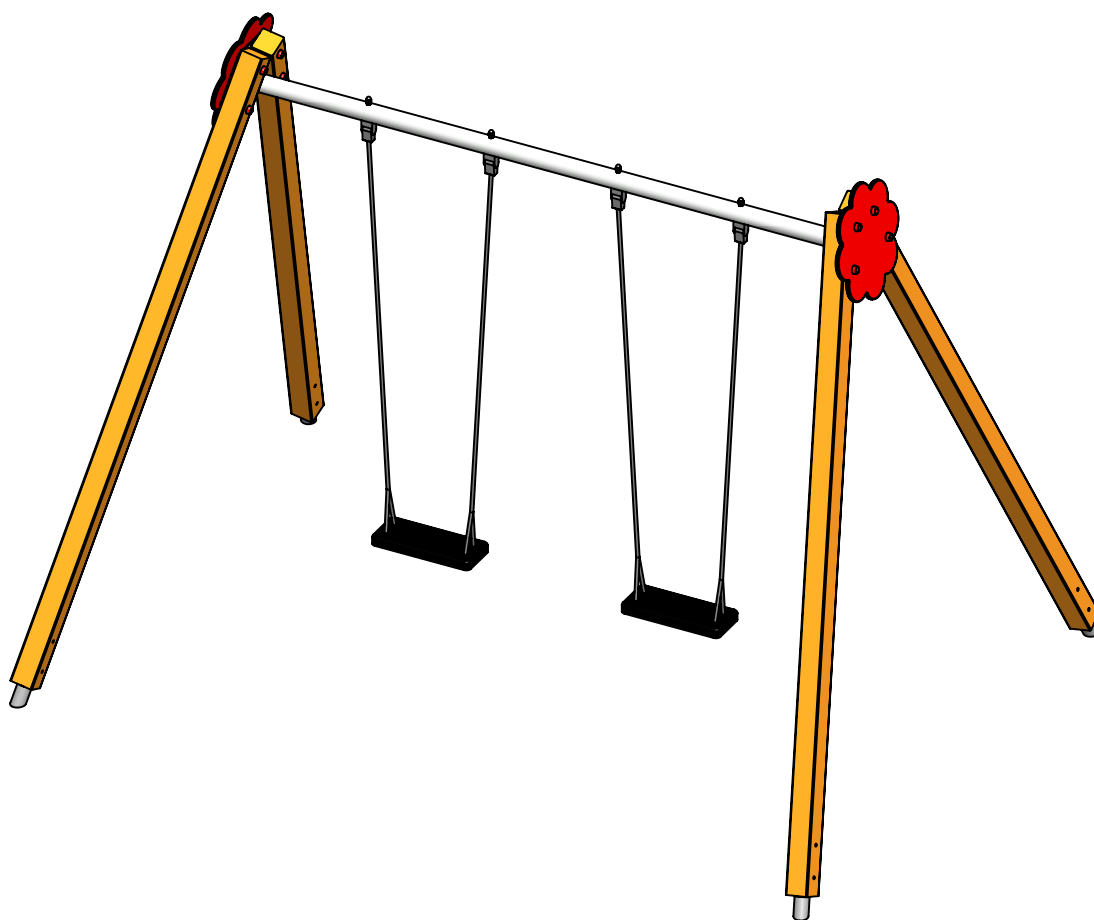
B

C

D

E

F



UNLESS OTHERWISE SPECIFIED:
DIMENSIONS ARE IN MILLIMETERS
WEIGHT ARE IN KILOGRAMM

PART NUMBER / DWG NO.:

K002 Y

	NAME	SIGNATURE	DATE	REVISION
DRAWN	M.Rebase		03.03.2015	
APPV'D				

DESCRIPTION:

Swing construction BELL-FLOWER



Tiptaptap OÜ

Tiptaptap OÜ
Veetorni 9,
Jüri alevik, Rae vald,
75301 Harjumaa

MATERIAL:

wood, metal, plastic

A4

WEIGHT:

SCALE: 1:30

SHEET 1 OF 9

safety area

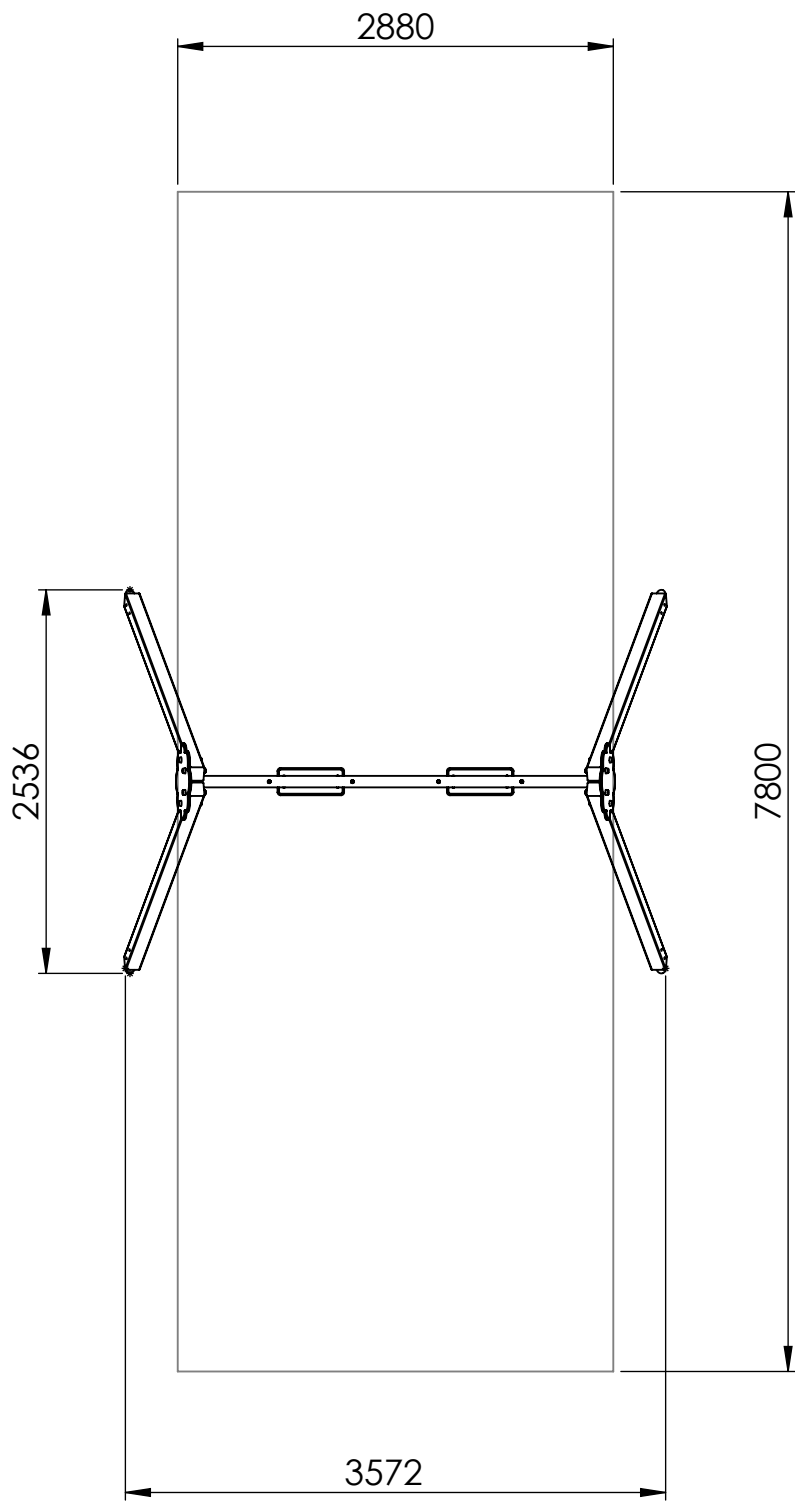
A

B

C

D

E



UNLESS OTHERWISE SPECIFIED:
 DIMENSIONS ARE IN MILLIMETERS
 WEIGHT ARE IN KILOGRAMM

PART NUMBER / DWG NO.:
K002 Y

	NAME	SIGNATURE	DATE	REVISION
DRAWN	M.Rebase		03.03.2015	
APPV'D				

DESCRIPTION:
Swing construction BELL-FLOWER

 **Tiptaptap** OÜ
 Veetorni 9,
 Jüri alevik, Rae vald,
 75301 Harjumaa

MATERIAL:	wood, metal, plastic	A4
WEIGHT:	SCALE: 1:50	SHEET 2 OF 9

foundation

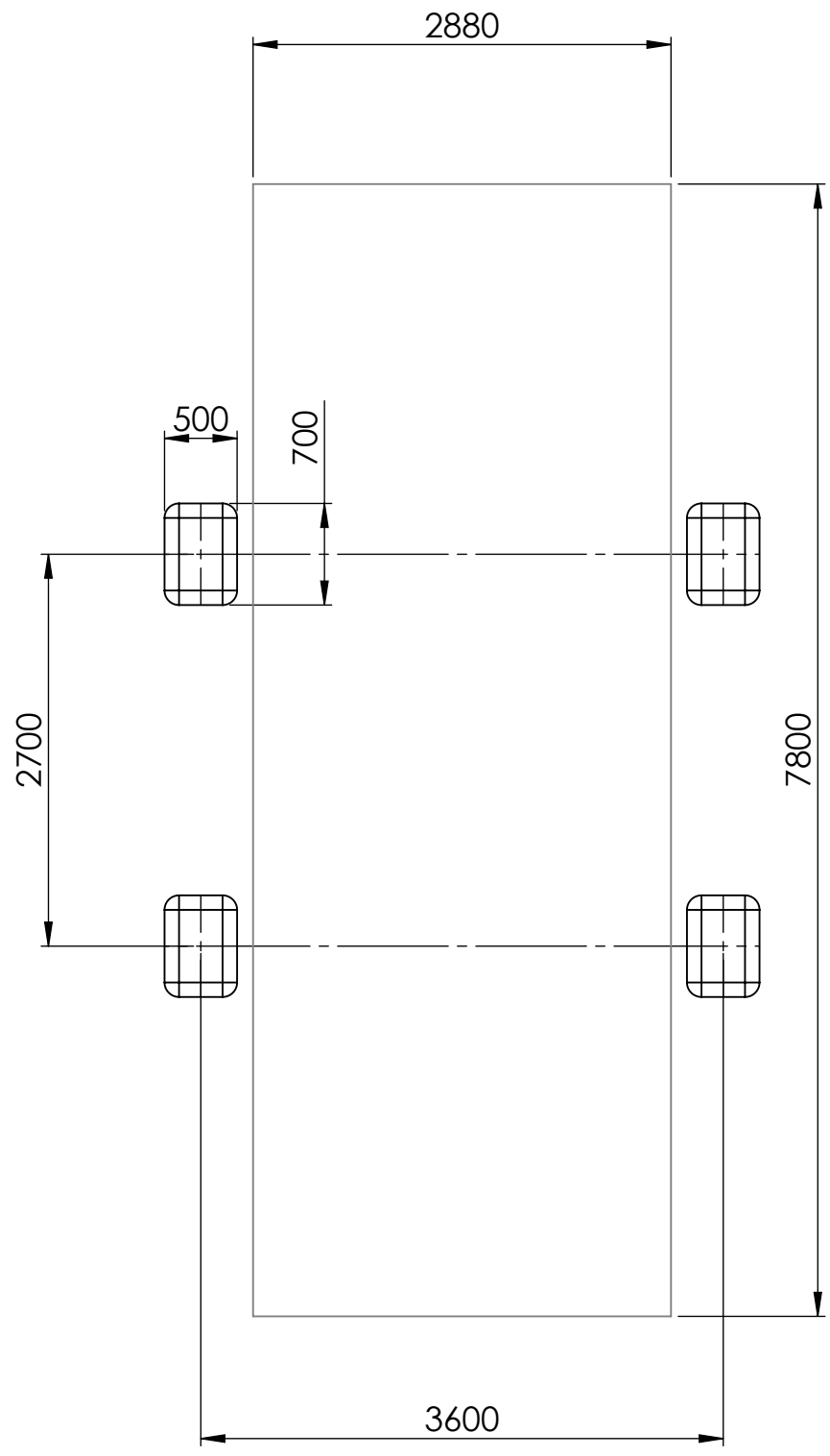
A

B

C

D

E



UNLESS OTHERWISE SPECIFIED:
 DIMENSIONS ARE IN MILLIMETERS
 WEIGHT ARE IN KILOGRAMM

PART NUMBER / DWG NO.:
K002 Y

	NAME	SIGNATURE	DATE	REVISION
DRAWN	M.Rebase		03.03.2015	
APPV'D				

DESCRIPTION:
Swing construction BELL-FLOWER



Tiptaptap OÜ
 Veetorni 9,
 Jüri alevik, Rae vald,
 75301 Harjumaa

MATERIAL:	wood, metal, plastic	A4
WEIGHT:	SCALE: 1:50	SHEET 3 OF 9

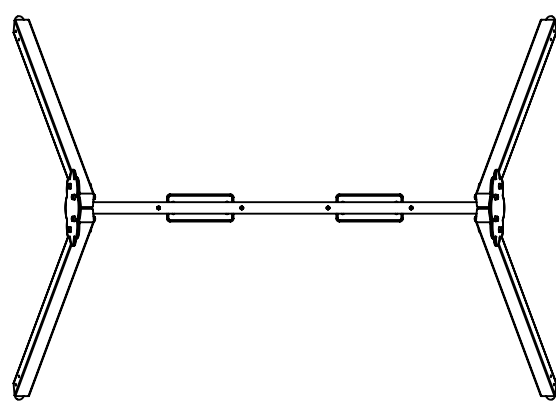
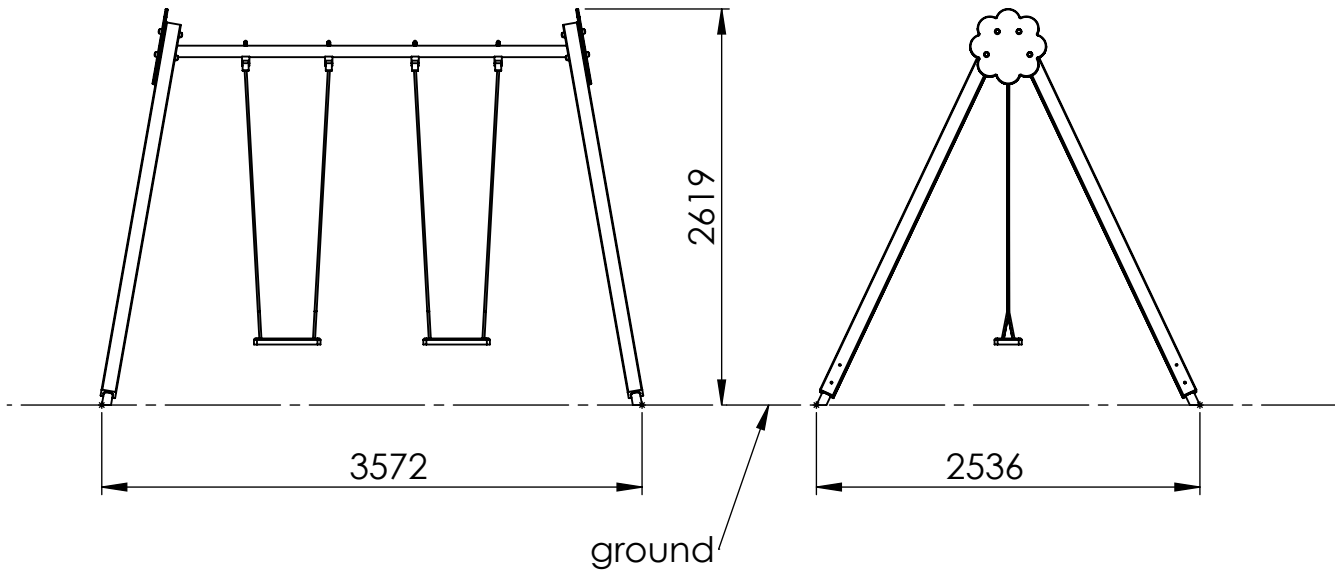
A

B

C

D

E



UNLESS OTHERWISE SPECIFIED:
 DIMENSIONS ARE IN MILLIMETERS
 WEIGHT ARE IN KILOGRAMM

	NAME	SIGNATURE	DATE	REVISION
DRAWN	M.Rebase		03.03.2015	
APPV'D				

PART NUMBER / DWG NO.:
K002 Y

DESCRIPTION:
Swing construction BELL-FLOWER

 **Tiptaptap** OÜ
 Veetorni 9,
 Jüri alevik, Rae vald,
 75301 Harjumaa

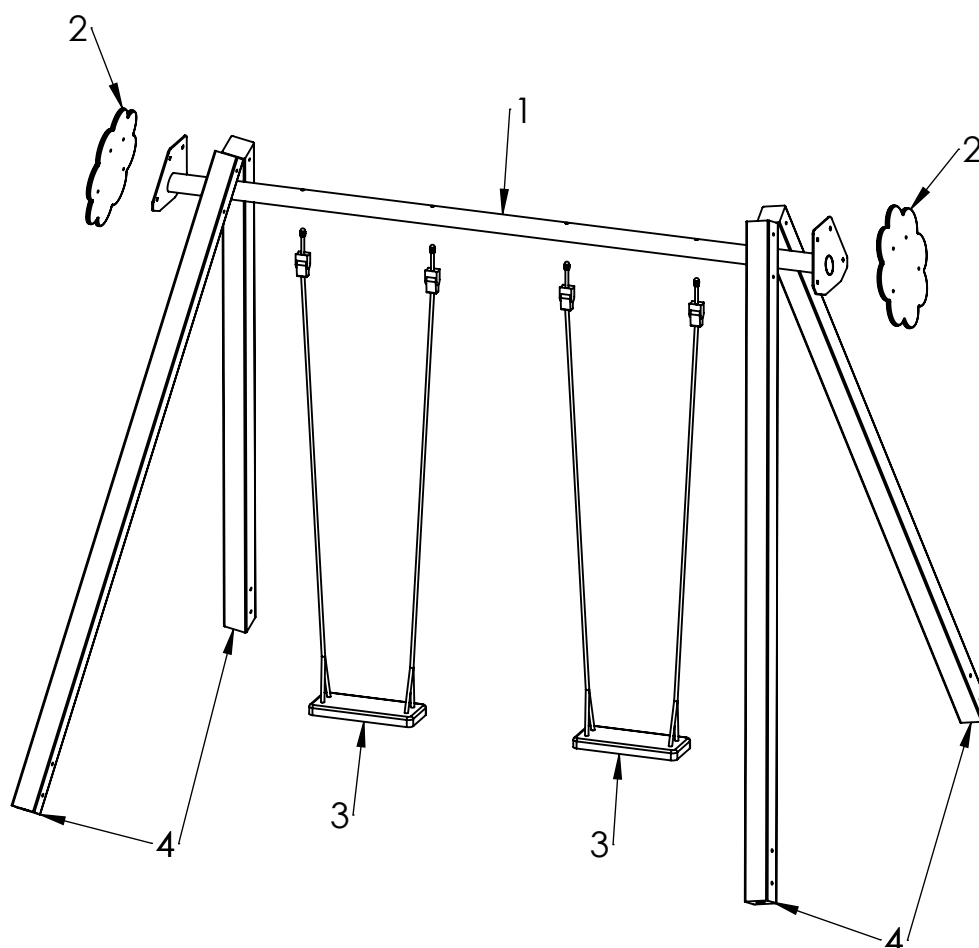
MATERIAL:	wood, metal, plastic	A4
WEIGHT:	SCALE: 1:50	SHEET 4 OF 9

A

B

C

D



E

F

ITEM NO.	PART NUMBER	DESCRIPTION	QTY.
1	beam 76x2828	galvanized steel	1
2	side fixture	plastic	2
3	seat complete with fixings	rubber compound with aluminium insert	2
4	post 98x98x2720	laminated wood	4

UNLESS OTHERWISE SPECIFIED:
DIMENSIONS ARE IN MILLIMETERS
WEIGHT ARE IN KILOGRAMM

PART NUMBER / DWG NO.:

K002 Y

	NAME	SIGNATURE	DATE	REVISION
DRAWN	M.Rebase		03.03.2015	
APPV'D				

DESCRIPTION:

Swing construction BELL-FLOWER

MATERIAL:

wood, metal, plastic

A4

WEIGHT:

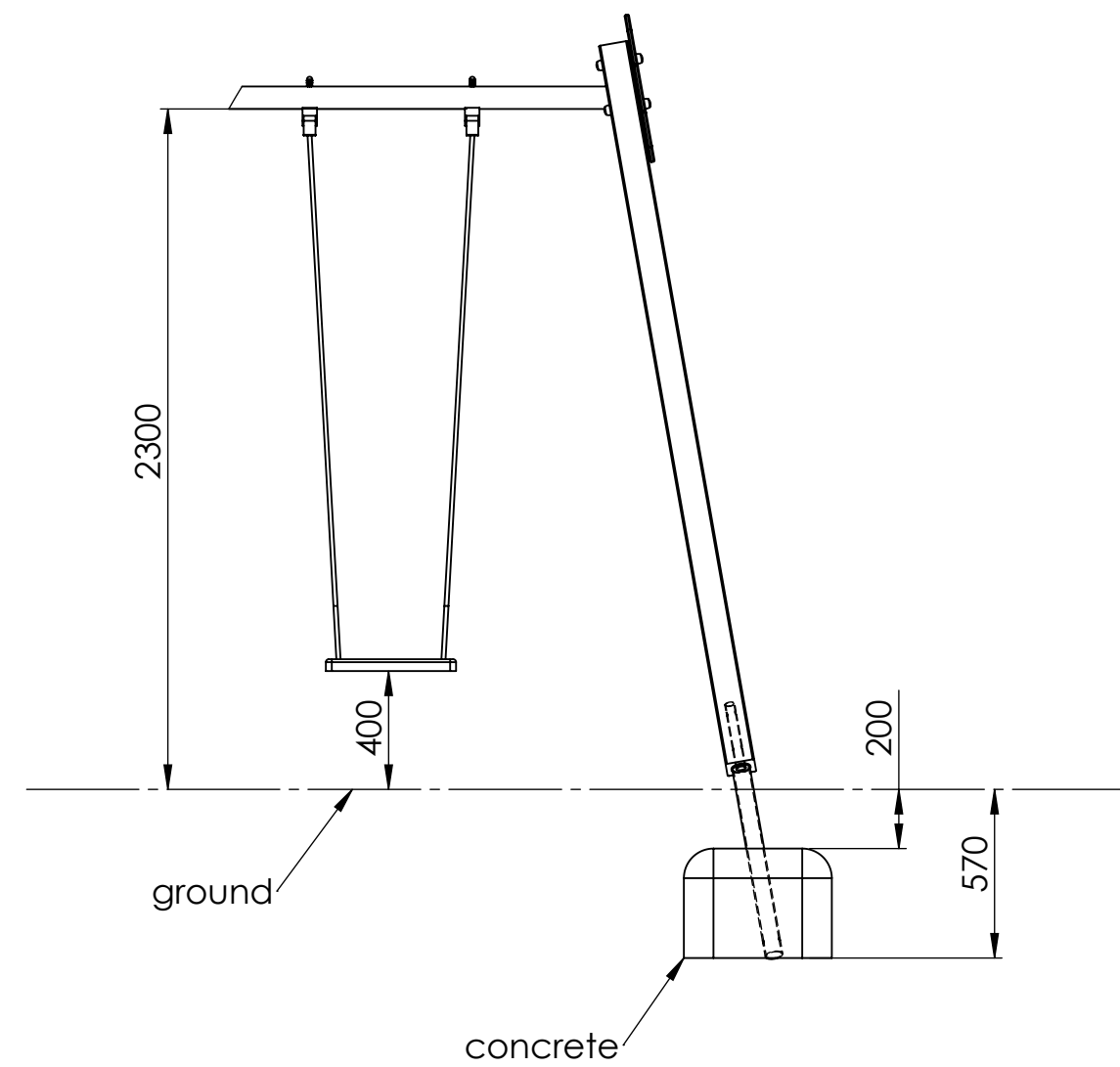
SCALE: 1:30

SHEET 5 OF 9



Tiptap OÜ

Tiptap OÜ
Veetorni 9,
Jüri alevik, Rae vald,
75301 Harjumaa



UNLESS OTHERWISE SPECIFIED:
 DIMENSIONS ARE IN MILLIMETERS
 WEIGHT ARE IN KILOGRAMM

PART NUMBER / DWG NO.:
K002 Y

	NAME	SIGNATURE	DATE	REVISION
DRAWN	M.Rebase		03.03.2015	
APPV'D				

DESCRIPTION:
Swing construction BELL-FLOWER


Tiptaptap OÜ
 Veetorni 9,
 Jüri alevik, Rae vald,
 75301 Harjumaa

MATERIAL:	wood, metal, plastic	A4
WEIGHT:		SCALE: 1:25
		SHEET 6 OF 9

A

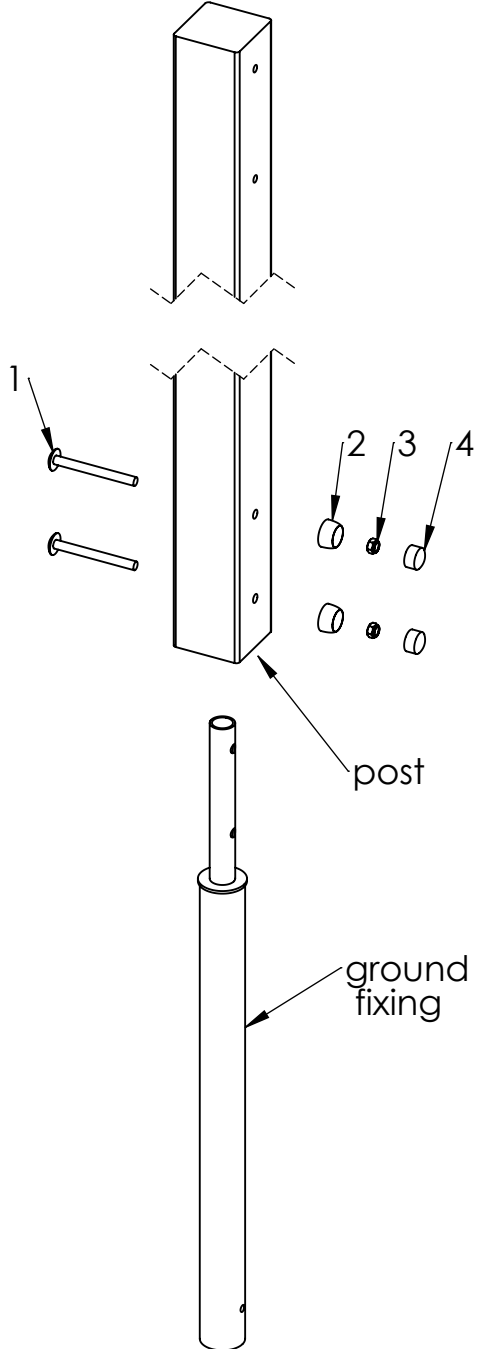
B

C

D

E

F



ITEM NO.	PART NUMBER
1	bolt DIN603 M12x120
2	nut cover M12
3	nut DIN985 M12
4	nut cover cap M12

UNLESS OTHERWISE SPECIFIED: DIMENSIONS ARE IN MILLIMETERS WEIGHT ARE IN KILOGRAMM				
	NAME	SIGNATURE	DATE	REVISION
DRAWN	M.Rebase		03.03.2015	
APPV'D				

PART NUMBER / DWG NO.:	K002 Y
DESCRIPTION:	Swing construction BELL-FLOWER



Tiptiptap OÜ
 Veetorni 9,
 Jüri alevik, Rae vald,
 75301 Harjumaa

MATERIAL:	wood, metal, plastic	A4
WEIGHT:	SCALE: 1:10	SHEET 7 OF 9

A

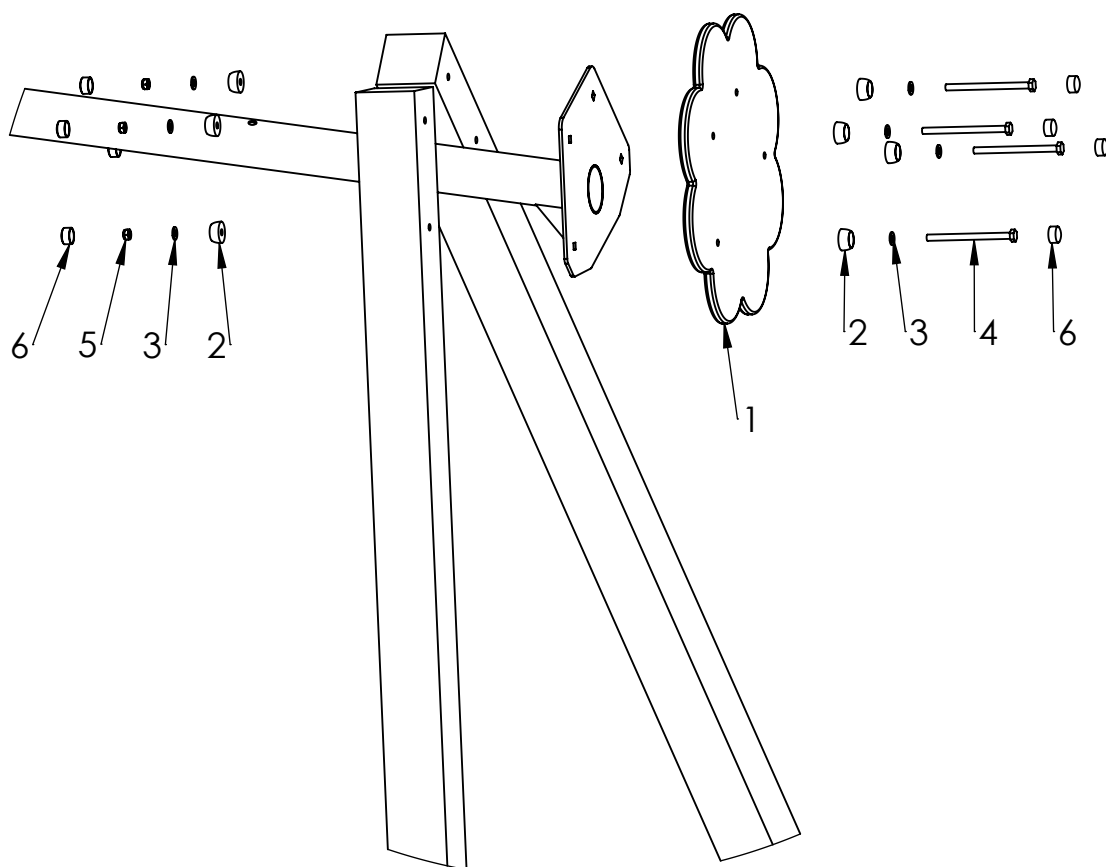
B

C

D

E

F



ITEM NO.	PART NUMBER
1	side fixture
2	nut cover M10
3	washer M10
4	bolt DIN931 M10x140
5	nut DIN985 M10
6	nut cover cap M10

UNLESS OTHERWISE SPECIFIED:
DIMENSIONS ARE IN MILLIMETERS
WEIGHT ARE IN KILOGRAMM

PART NUMBER / DWG NO.:

K002 Y

	NAME	SIGNATURE	DATE	REVISION
DRAWN	M.Rebase		03.03.2015	
APPV'D				

DESCRIPTION:

Swing construction BELL-FLOWER

MATERIAL:

wood, metal, plastic

A4

WEIGHT:

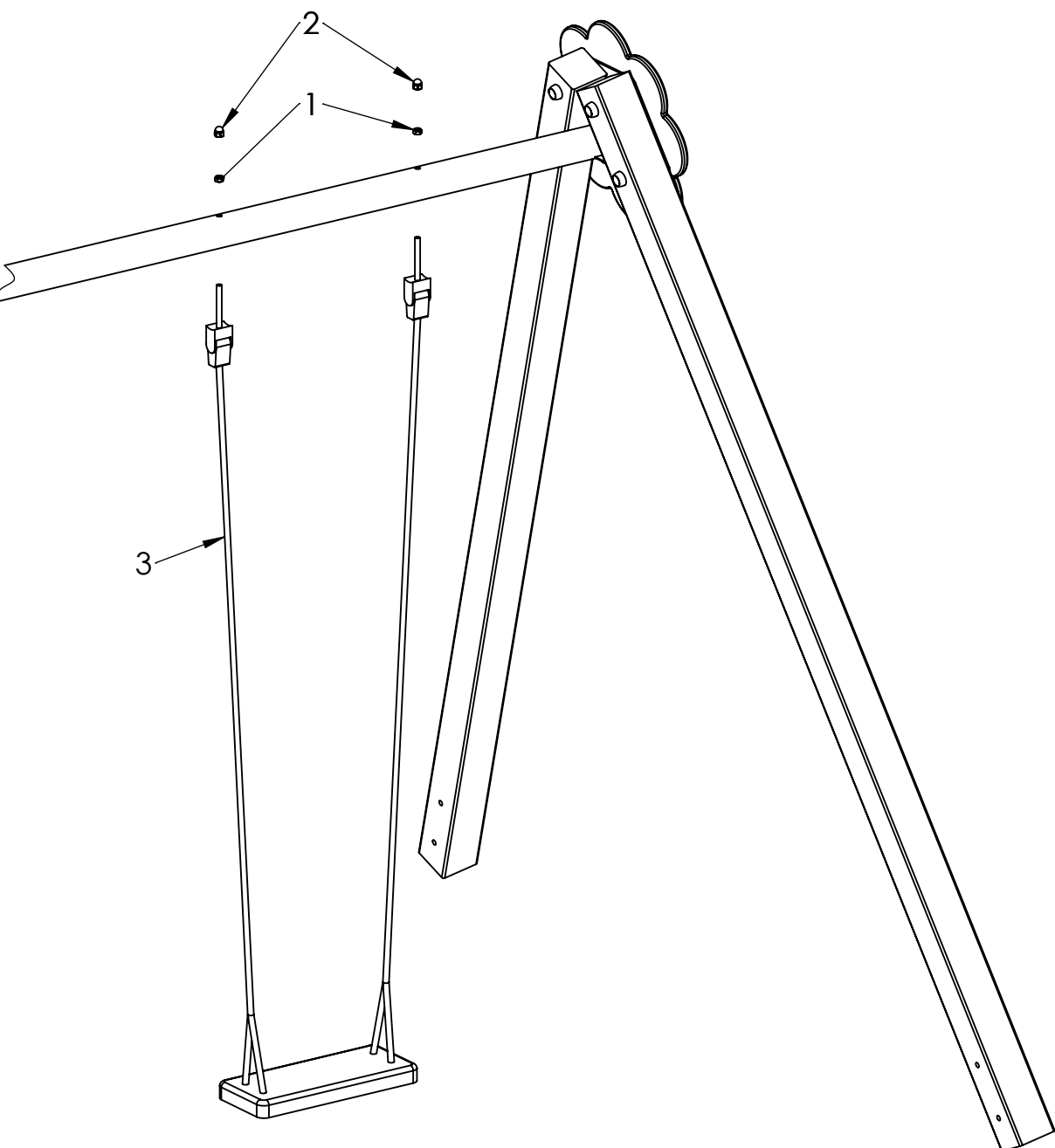
SCALE: 1:100

SHEET 8 OF 9



Tiptap OÜ

Tiptap OÜ
Veetorni 9,
Jüri alevik, Rae vald,
75301 Harjumaa



ITEM NO.	PART NUMBER
1	nut DIN985 M12
2	domed cap nut DIN1587 M12
3	seat complect with fittings

UNLESS OTHERWISE SPECIFIED:
DIMENSIONS ARE IN MILLIMETERS
WEIGHT ARE IN KILOGRAMM

PART NUMBER / DWG NO.:
K002 Y

	NAME	SIGNATURE	DATE	REVISION
DRAWN	M.Rebase		03.03.2015	
APPV'D				

DESCRIPTION:
Swing construction BELL-FLOWER



Tiptiptap OÜ
Veetorni 9,
Jüri alevik, Rae vald,
75301 Harjumaa

MATERIAL:	wood, metal, plastic	A4
WEIGHT:	SCALE: 1:15	SHEET 9 OF 9