

A

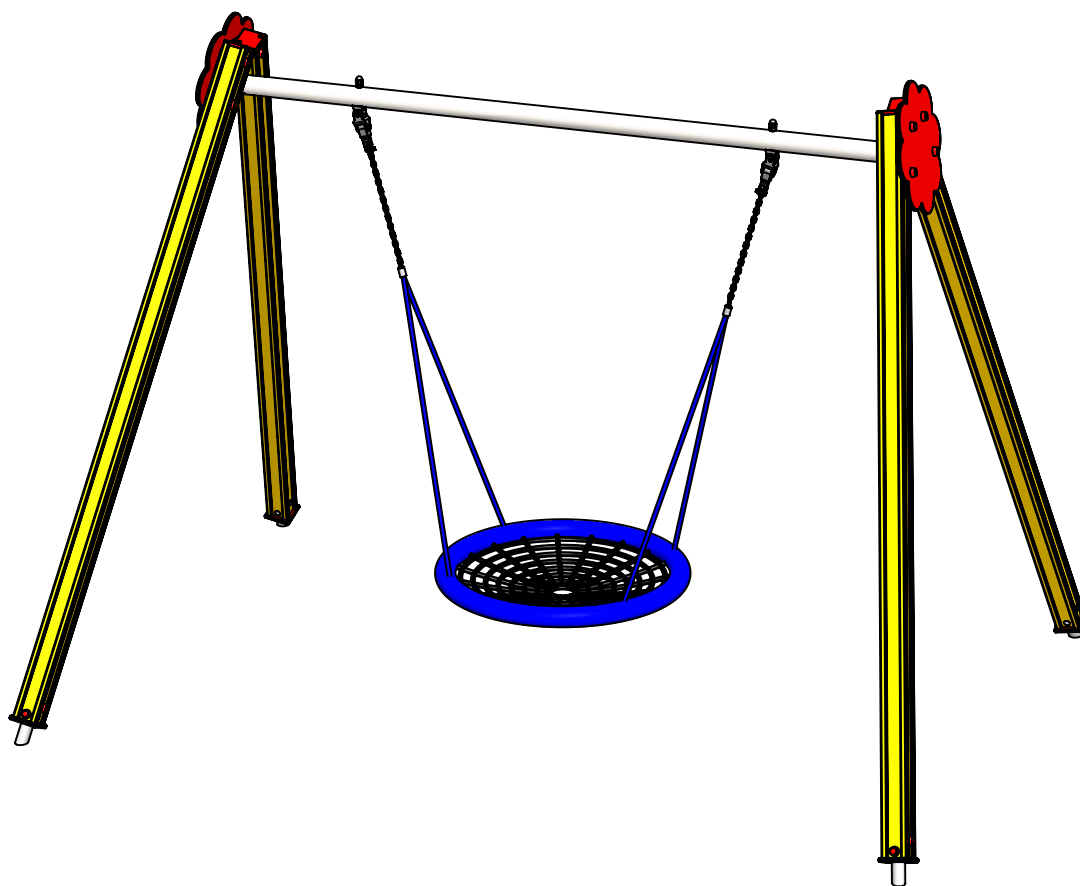
B

C

D

E

F



UNLESS OTHERWISE SPECIFIED:
DIMENSIONS ARE IN MILLIMETERS
WEIGHT ARE IN KILOGRAMM

Lekplatsgrossisten.se

PART NUMBER / DWG NO.:

K002 AL

	NAME	SIGNATURE	DATE	REVISION
DRAWN	M.Rebase		18.06.2015	
APPV'D				

DESCRIPTION:

Swing construction BELL-FLOWER



Tiptaptap OÜ

Tiptaptap OÜ
Veetorni 9,
Jüri alevik, Rae vald,
75301 Harjumaa

MATERIAL:

wood, metal, plastic

A4

WEIGHT:

SCALE: 1:25

SHEET 1 OF 8

safety area

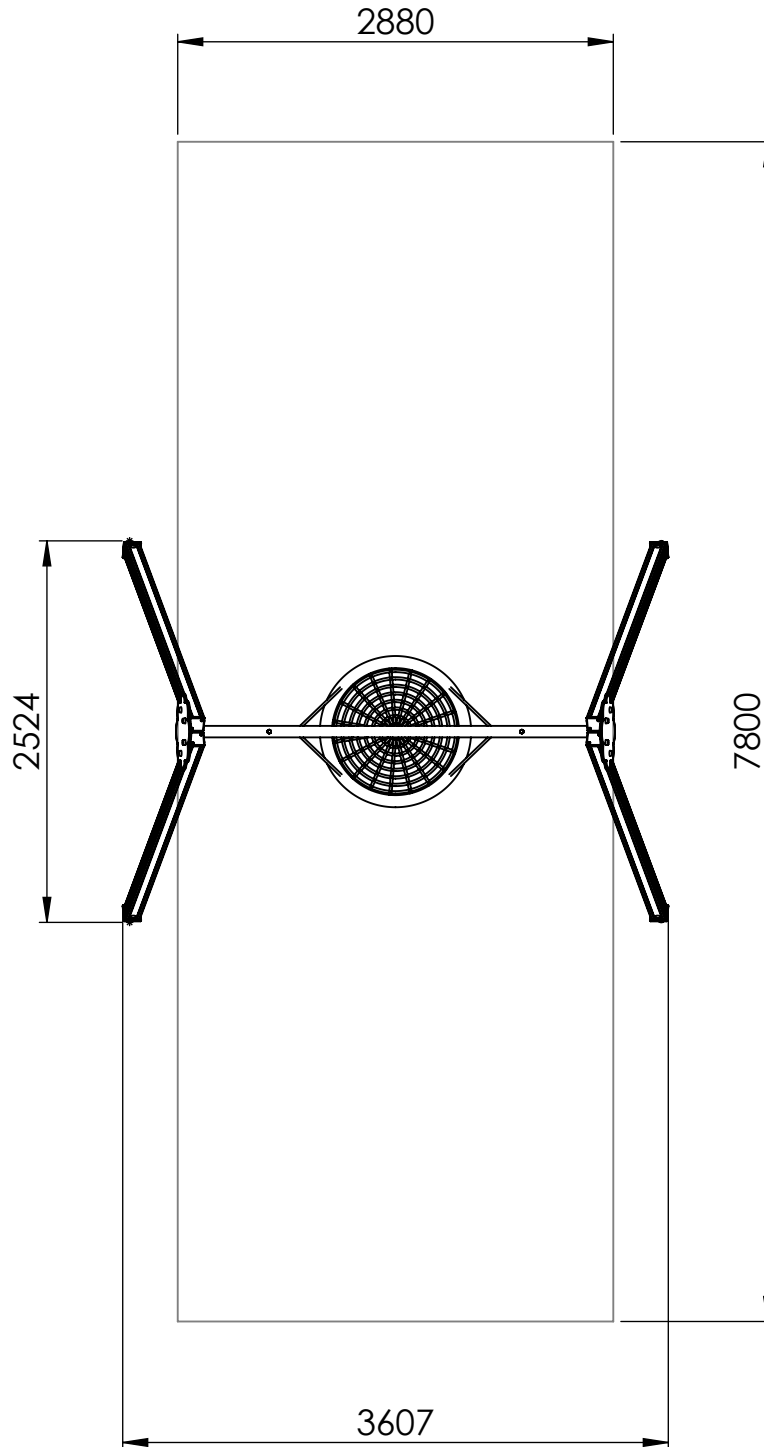
A

B

C

D

E



UNLESS OTHERWISE SPECIFIED:
DIMENSIONS ARE IN MILLIMETERS
WEIGHT ARE IN KILOGRAMM

Lekplatsgrossisten.se

PART NUMBER / DWG NO.:

K002 AL

	NAME	SIGNATURE	DATE	REVISION
DRAWN	M.Rebase		18.06.2015	
APPV'D				

DESCRIPTION:

Swing construction BELL-FLOWER

F



Tiptaptap OÜ

Tiptaptap OÜ
Veetorni 9,
Jüri alevik, Rae vald,
75301 Harjumaa

MATERIAL:

wood, metal, plastic

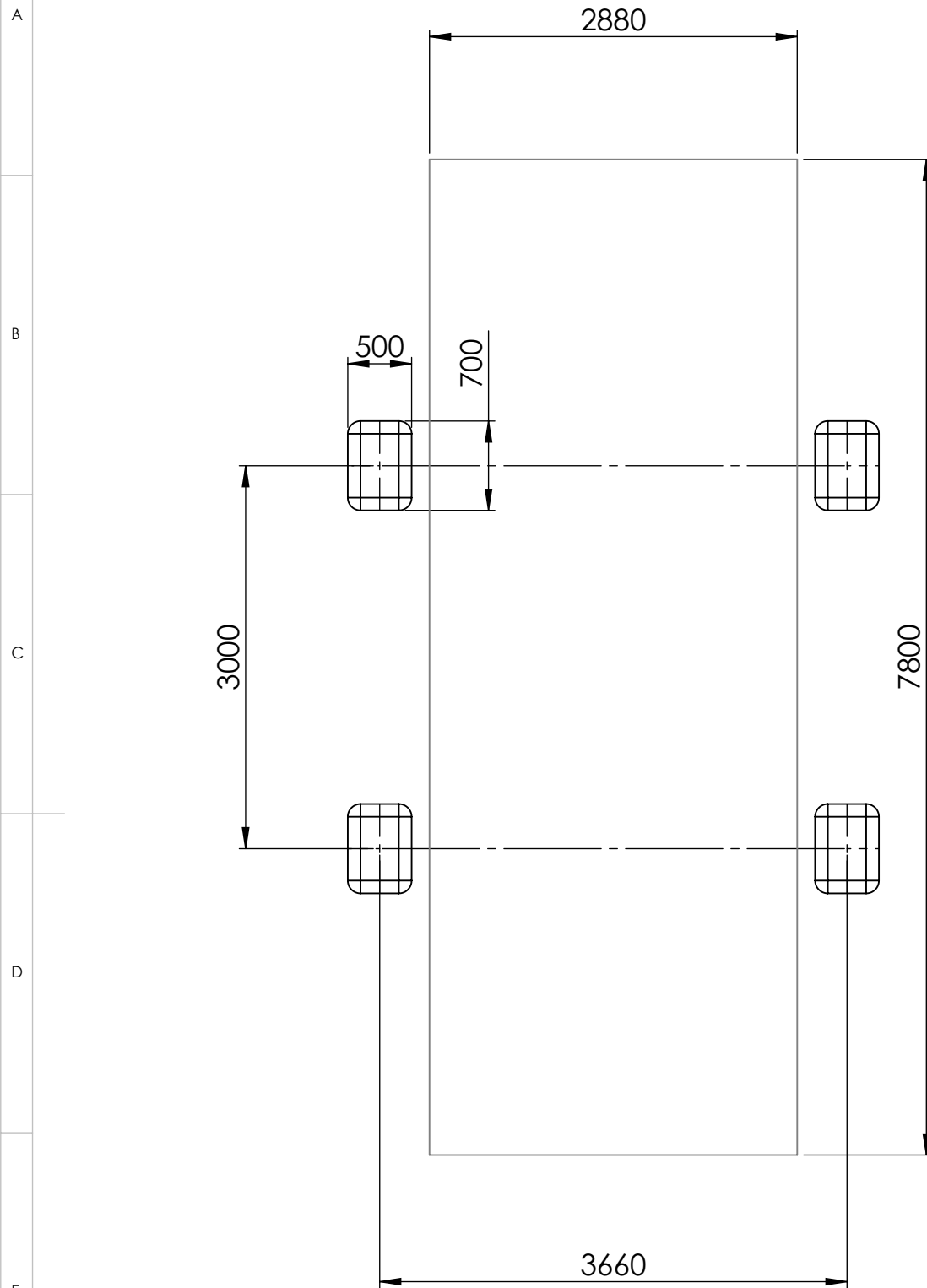
A4

WEIGHT:

SCALE: 1:50

SHEET 2 OF 8

foundation



UNLESS OTHERWISE SPECIFIED:
DIMENSIONS ARE IN MILLIMETERS
WEIGHT ARE IN KILOGRAMM

Lekplatsgrossisten.se

PART NUMBER / DWG NO.:

K002 AL

	NAME	SIGNATURE	DATE	REVISION
DRAWN	M.Rebase		18.06.2015	
APPV'D				

DESCRIPTION:

Swing construction BELL-FLOWER



Tiptaptap OÜ

Tiptaptap OÜ
Veetorni 9,
Jüri alevik, Rae vald,
75301 Harjumaa

MATERIAL:

wood, metal, plastic

A4

WEIGHT:

SCALE: 1:50

SHEET 3 OF 8

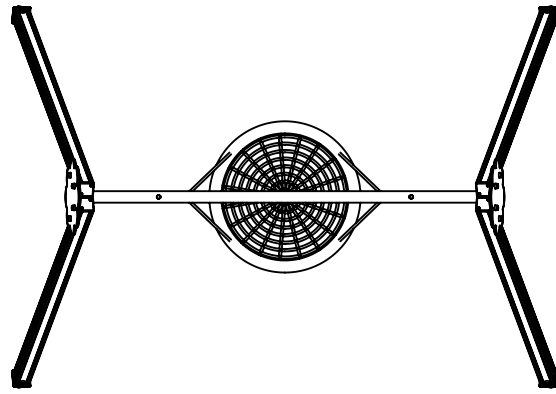
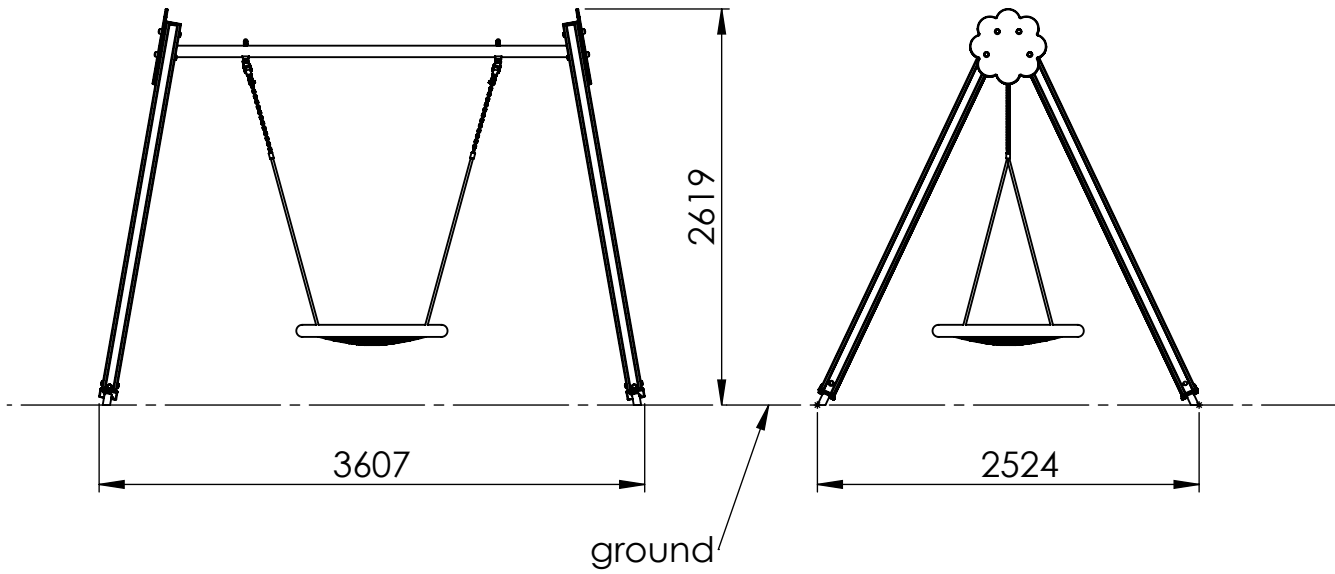
A

B

C

D

E



UNLESS OTHERWISE SPECIFIED:
DIMENSIONS ARE IN MILLIMETERS
WEIGHT ARE IN KILOGRAMM

Lekplatsgrossisten.se

PART NUMBER / DWG NO.:
K002 AL

	NAME	SIGNATURE	DATE	REVISION
DRAWN	M.Rebase		18.06.2015	
APPV'D				

DESCRIPTION:
Swing construction BELL-FLOWER


 **Tiptaptap** OÜ
Veetorni 9,
Jüri alevik, Rae vald,
75301 Harjumaa

MATERIAL:	wood, metal, plastic	A4
WEIGHT:	SCALE: 1:50	SHEET 4 OF 8

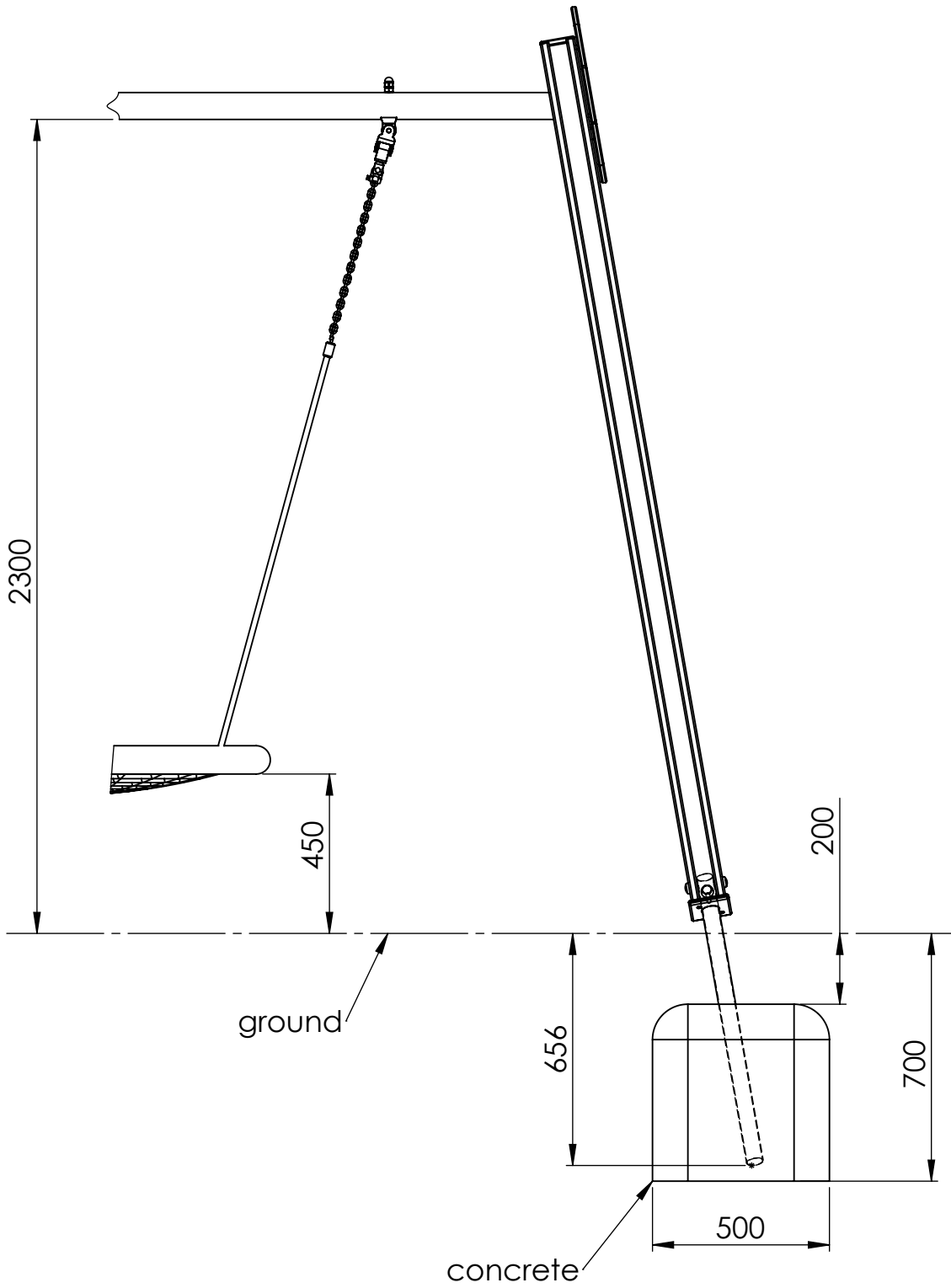


D

ITEM NO.	PART NUMBER	DESCRIPTION	QTY.
1	98x98x2720	aluminium, PE plastic	4
2	side fixture	plastic	2
3	beam 76x2828[As Machined]	galvanized steel	1
4	rope swing set BIRD NEST	PE covered steel wire, metal	1

UNLESS OTHERWISE SPECIFIED: DIMENSIONS ARE IN MILLIMETERS WEIGHT ARE IN KILOGRAMM		Lekplatsgrossisten.se			PART NUMBER / DWG NO.:		K002 AL	
	NAME	SIGNATURE	DATE	REVISION	DESCRIPTION: Swing construction BELL-FLOWER			
DRAWN	M.Rebase		18.06.2015					
APPV'D								
 Tiptaptap OÜ Veetorni 9, Jüri alevik, Rae vald, 75301 Harjumaa		Tiptaptap OÜ Veetorni 9, Jüri alevik, Rae vald, 75301 Harjumaa			MATERIAL:		wood, metal, plastic	
WEIGHT:		SCALE: 1:30		SHEET 5 OF 8		A4		

F



UNLESS OTHERWISE SPECIFIED:
DIMENSIONS ARE IN MILLIMETERS
WEIGHT ARE IN KILOGRAMM

Lekplatsgrossisten.se

PART NUMBER / DWG NO.:
K002 AL

	NAME	SIGNATURE	DATE	REVISION
DRAWN	M.Rebase		18.06.2015	
APPV'D				

DESCRIPTION:
Swing construction BELL-FLOWER

Tiptiptap OÜ
Veetorni 9,
Jüri alevik, Rae vald,
75301 Harjumaa

MATERIAL:	wood, metal, plastic	A4
WEIGHT:	SCALE: 1:18	SHEET 6 OF 8

A

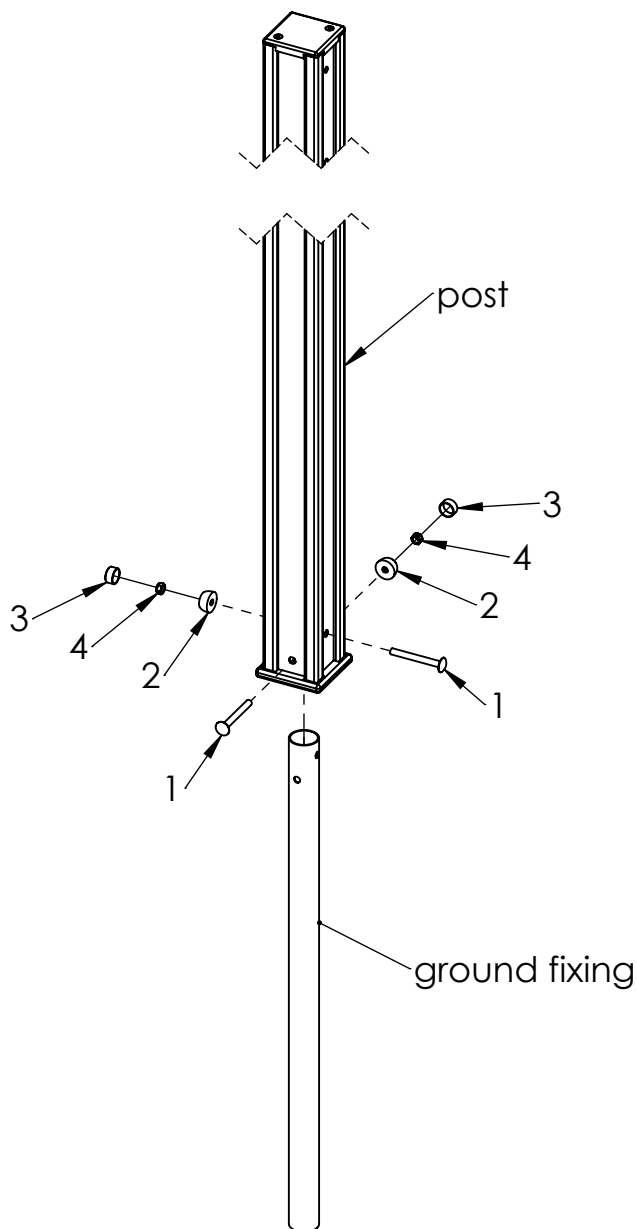
B

C

D

E

F



ITEM NO.	PART NUMBER
1	bolt DIN603 M10x90
2	nut cover M10
3	nut cover cap M10
4	nut DIN985 M10

UNLESS OTHERWISE SPECIFIED:
DIMENSIONS ARE IN MILLIMETERS
WEIGHT ARE IN KILOGRAMM

Lekplatsgrossisten.se

PART NUMBER / DWG NO.:

K002 AL

	NAME	SIGNATURE	DATE	REVISION
DRAWN	M.Rebase		18.06.2015	
APPV'D				

DESCRIPTION:

Swing construction BELL-FLOWER
connecting ground fixing to post



Tiptaptap OÜ

Tiptaptap OÜ
Veetorni 9,
Jüri alevik, Rae vald,
75301 Harjumaa

MATERIAL:

wood, metal, plastic

A4

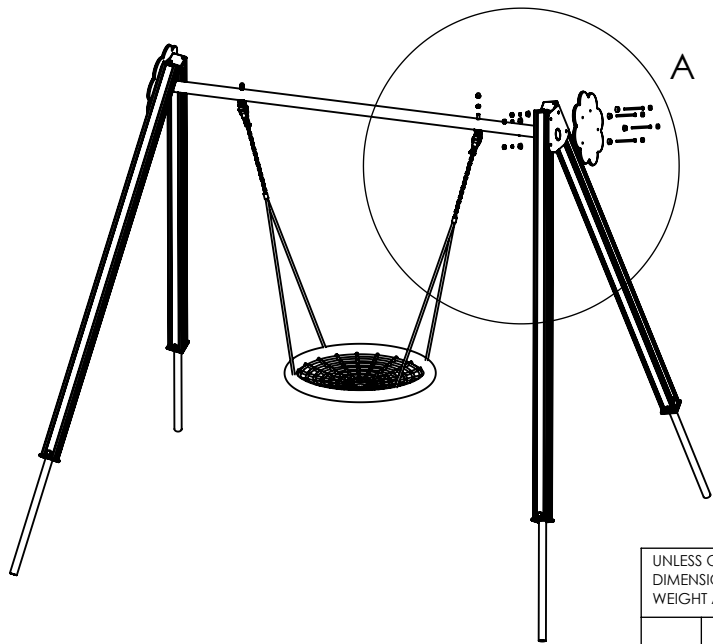
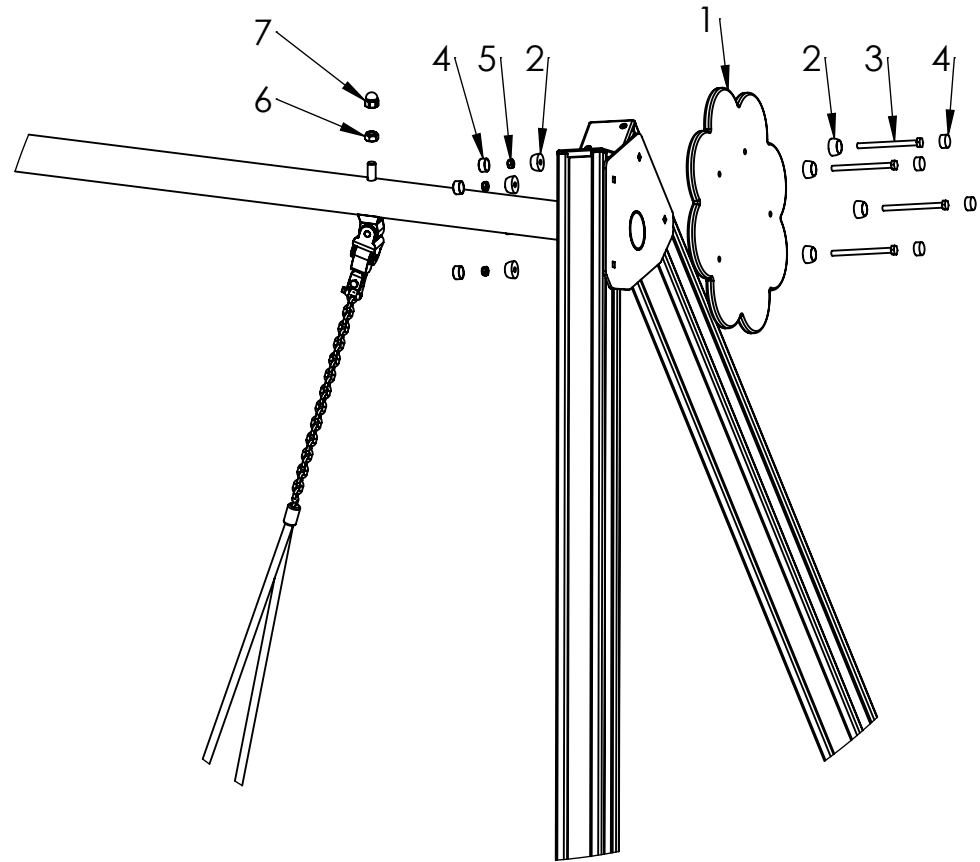
WEIGHT:


SCALE: 1:12

SHEET 7 OF 8

ITEM NO.	PART NUMBER
1	side fixture
2	nut cover M10
3	bolt DIN931 M10x130
4	nut cover cap M10
5	nut DIN985 M10
6	nut DIN985 M16
7	domed cap nut DIN1587 M16

DETAIL A
SCALE 1 : 15



UNLESS OTHERWISE SPECIFIED: DIMENSIONS ARE IN MILLIMETERS WEIGHT ARE IN KILOGRAMM		Lekplatsgrossisten.se			PART NUMBER / DWG NO.: K002 AL	
	NAME	SIGNATURE	DATE	REVISION	DESCRIPTION: Swing construction BELL-FLOWER	
DRAWN	M.Rebase		18.06.2015			
APPV'D						
 Tiptaptap OÜ Tiptaptap OÜ Veetorni 9, Jüri alevik, Rae vald, 75301 Harjumaa		MATERIAL: wood, metal, plastic			A4	
WEIGHT:		SCALE: 1:50			SHEET 8 OF 8	