

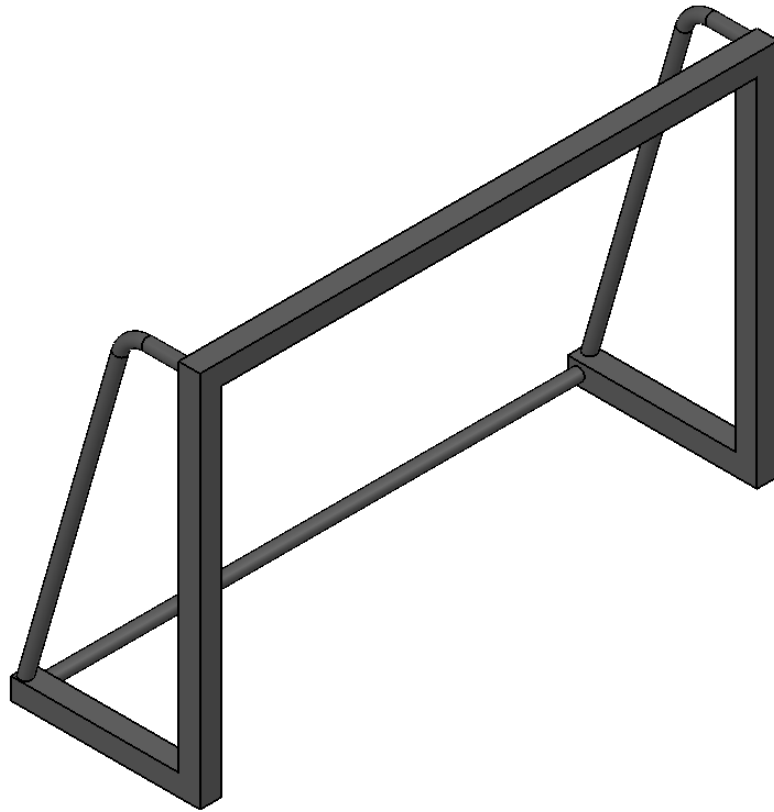
5

6

7

8

9



I B @GGC H: 9FK -G9 CD97 ÷ 98.
 8 A 9BGC BG5F9-B A @A 9HFG
 K 9< <H5F9 B ? @C : F5A A "

D5FHB I A 69F #8K : 'BC "

>DJ \$\$\$%

	B5A 9	G: B5H F9	85H9	F9J GCB
8F5K B	F"9XY`		' %\$+&\$%	
5DDJ B				

89G7 F-DHC B.

6Ug_YHVU``[UHY



Tiptiptap OÜ

HdhdHd`C y
 J YYrc fb]- Ž
 >- f]U`Yj]žFUy`j U`Xž
 +)' \$%<Uf† a UU

A 5H9F-5@

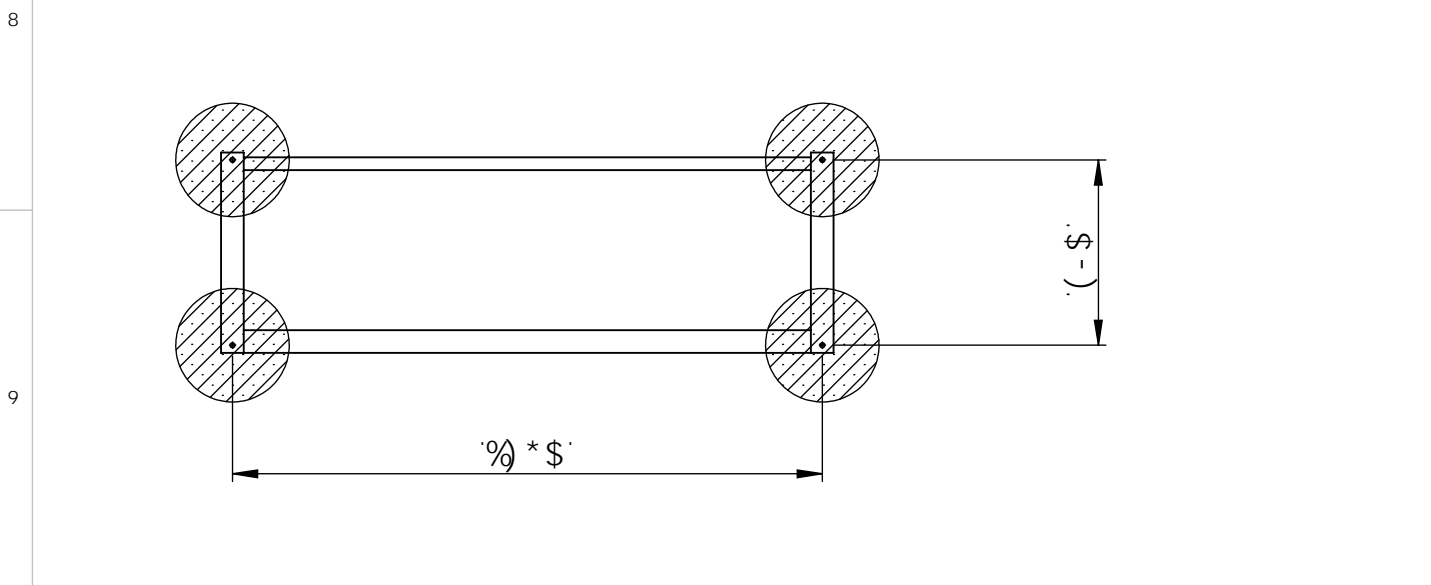
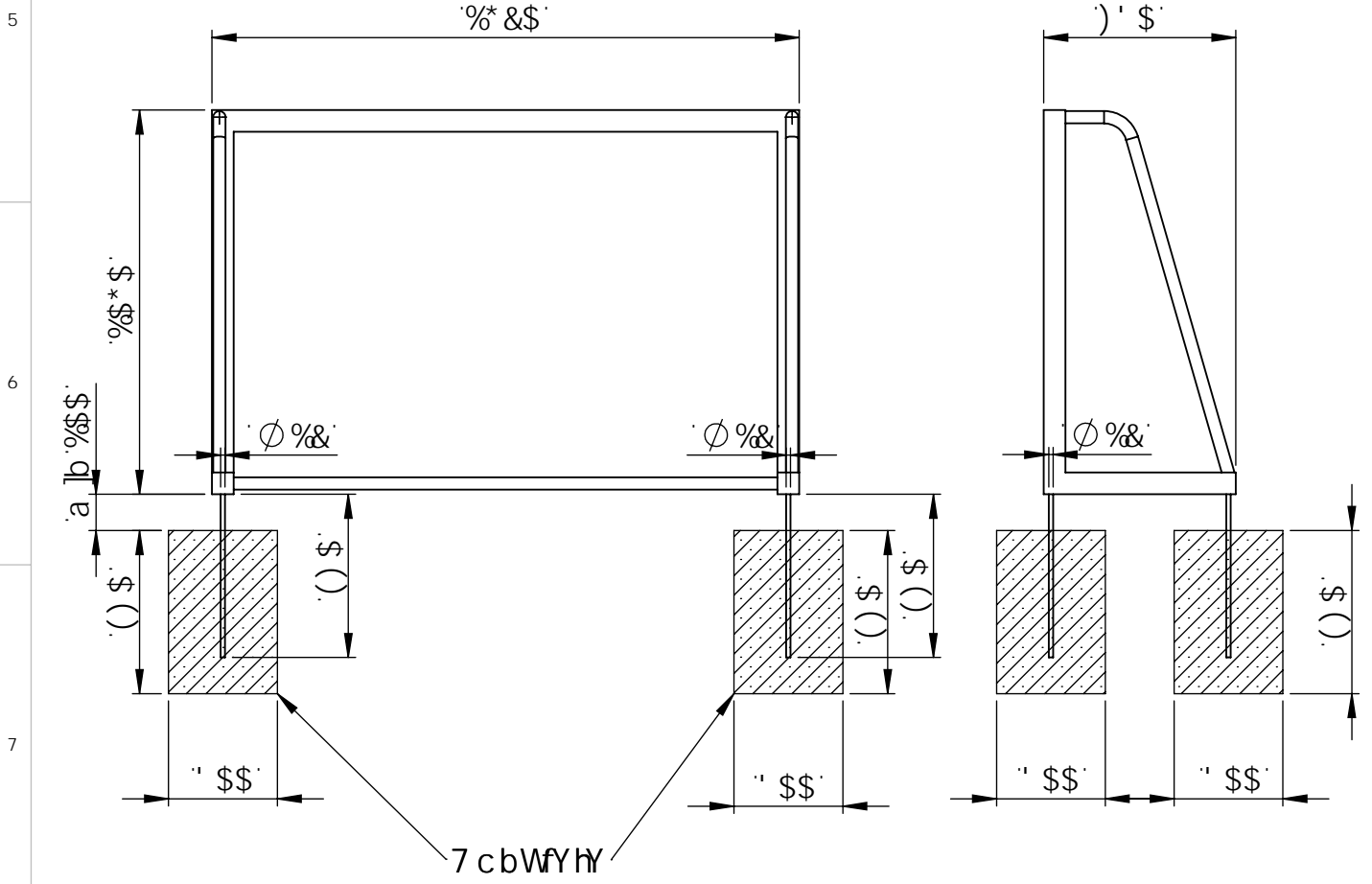
'a YHU`

5(

K 9< <H`

G7 5 @. %%)

G< 99H% C : &



I B @GGC H: 9FK -G9 CD97 = 98. 8 A 9BGC BG5F9-B A @A 9HFG K 9= <H5F9-B ? @C; F5A A "				D5FHBI A 69F #8K; "BC". >DJ \$\$\$%	
	B5A 9	G= B5H F9	85H9	F9J -GC B	
8F5K B	F"9XY"		' %\$+&\$%	89G7 F-DHC B.	
5DDJ @				6Ug_YHVU` `[UHY	
				A 5HPF-5@ 'a YHU'	
HdhhdUd`C y JYYhc fb]- ž >- f]U`Yj]žFUy j U`Xž +)' %\$<Uf† a UU				5(G7 5@. %&\$ G< 99H&C: &	
K 9= <H"				G7 5@. %&\$	
G< 99H&C: &				G< 99H&C: &	