

A

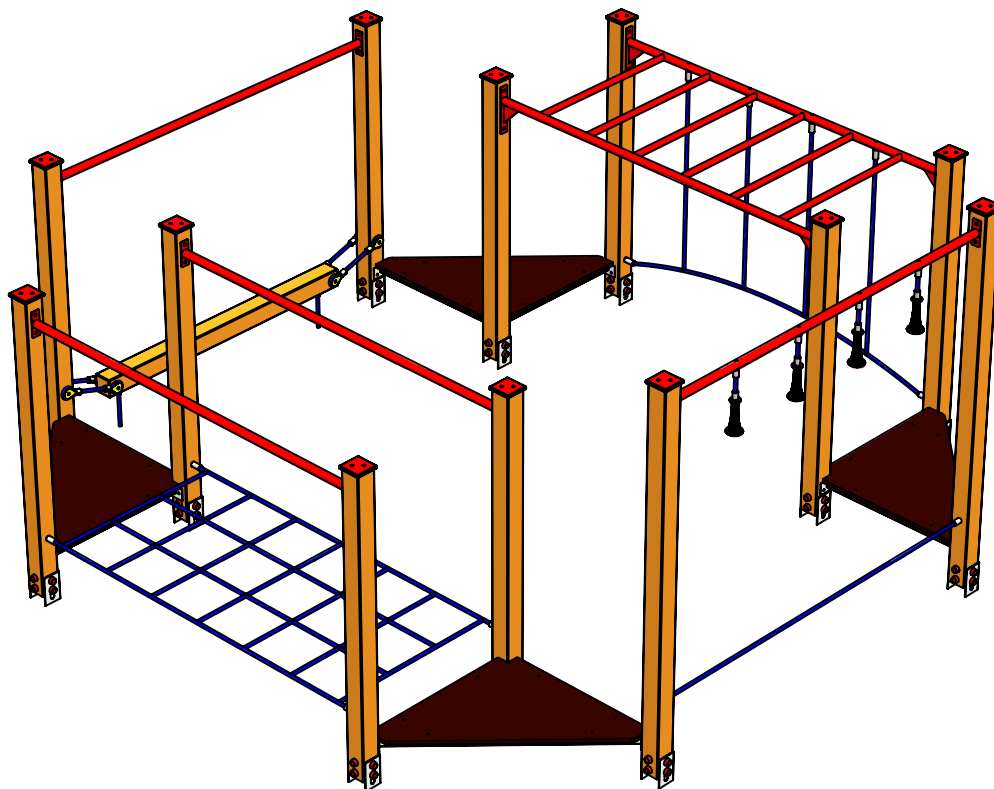
B

C

D

E

F



UNLESS OTHERWISE SPECIFIED:
DIMENSIONS ARE IN MILLIMETERS
WEIGHT ARE IN KILOGRAMM

PART NUMBER / DWG NO.:

TKR001-4

	NAME	SIGNATURE	DATE	REVISION
DRAWN	M.Rebase		3.12.2015	
APPV'D				

DESCRIPTION:

Balance track 4



Tiptaptap OÜ

Tiptaptap OÜ
Veetorni 9,
Jüri alevik, Rae vald,
75301 Harjumaa

MATERIAL:

wood, metal, plastic

A4

WEIGHT:

SCALE: 1:30

SHEET 1 OF 11

safety area

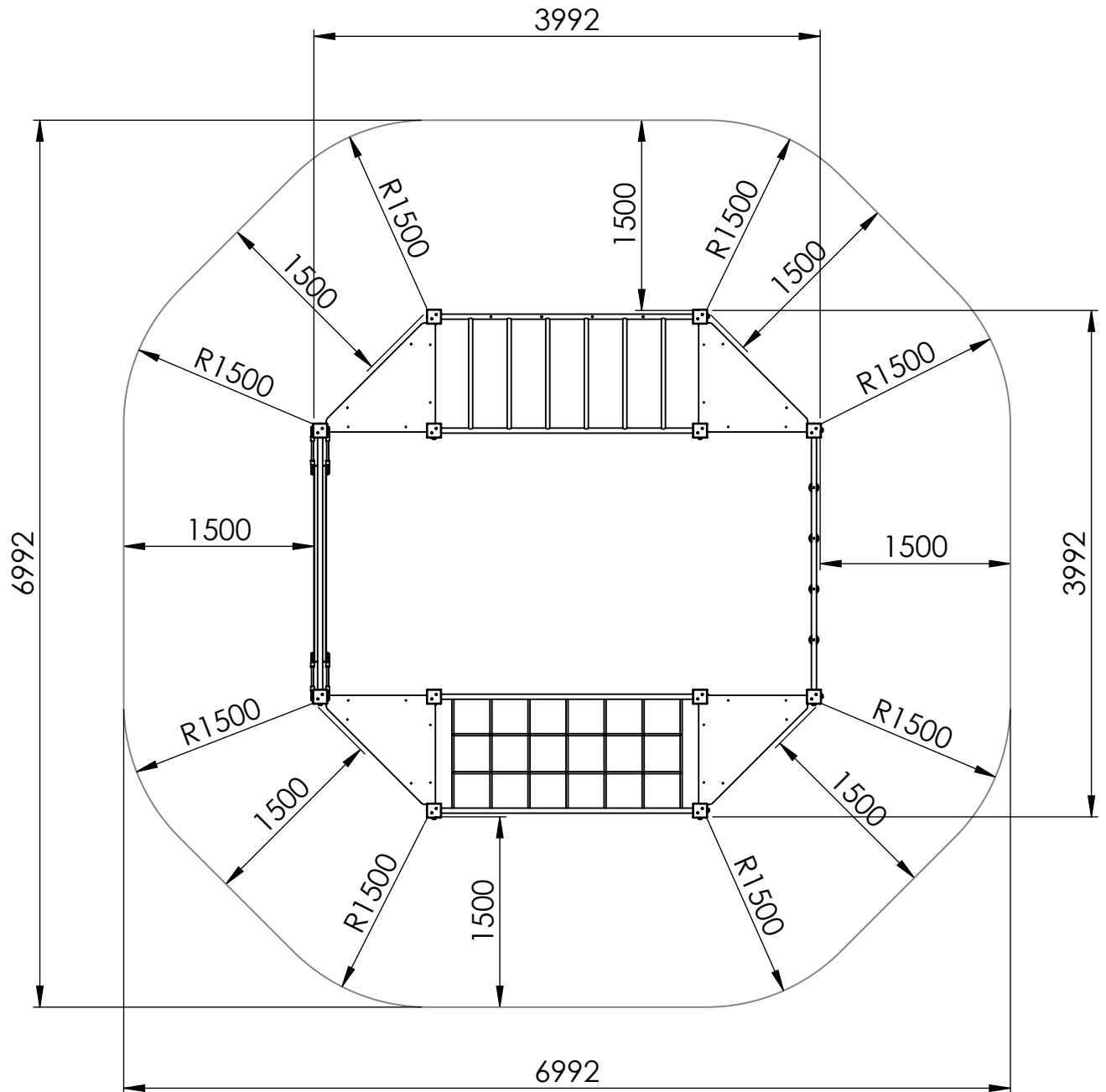
A

B

C

D

E



UNLESS OTHERWISE SPECIFIED:
DIMENSIONS ARE IN MILLIMETERS
WEIGHT ARE IN KILOGRAMM

PART NUMBER / DWG NO.:

TKR001-4

	NAME	SIGNATURE	DATE	REVISION
DRAWN	M.Rebase		3.12.2015	
APPV'D				

DESCRIPTION:

Balance track 4



Tiptaptap OÜ

Tiptaptap OÜ
Veetorni 9,
Jüri alevik, Rae vald,
75301 Harjumaa

MATERIAL:

wood, metal, plastic

A4

WEIGHT:

SCALE: 1:50

SHEET 2 OF 11

safety area

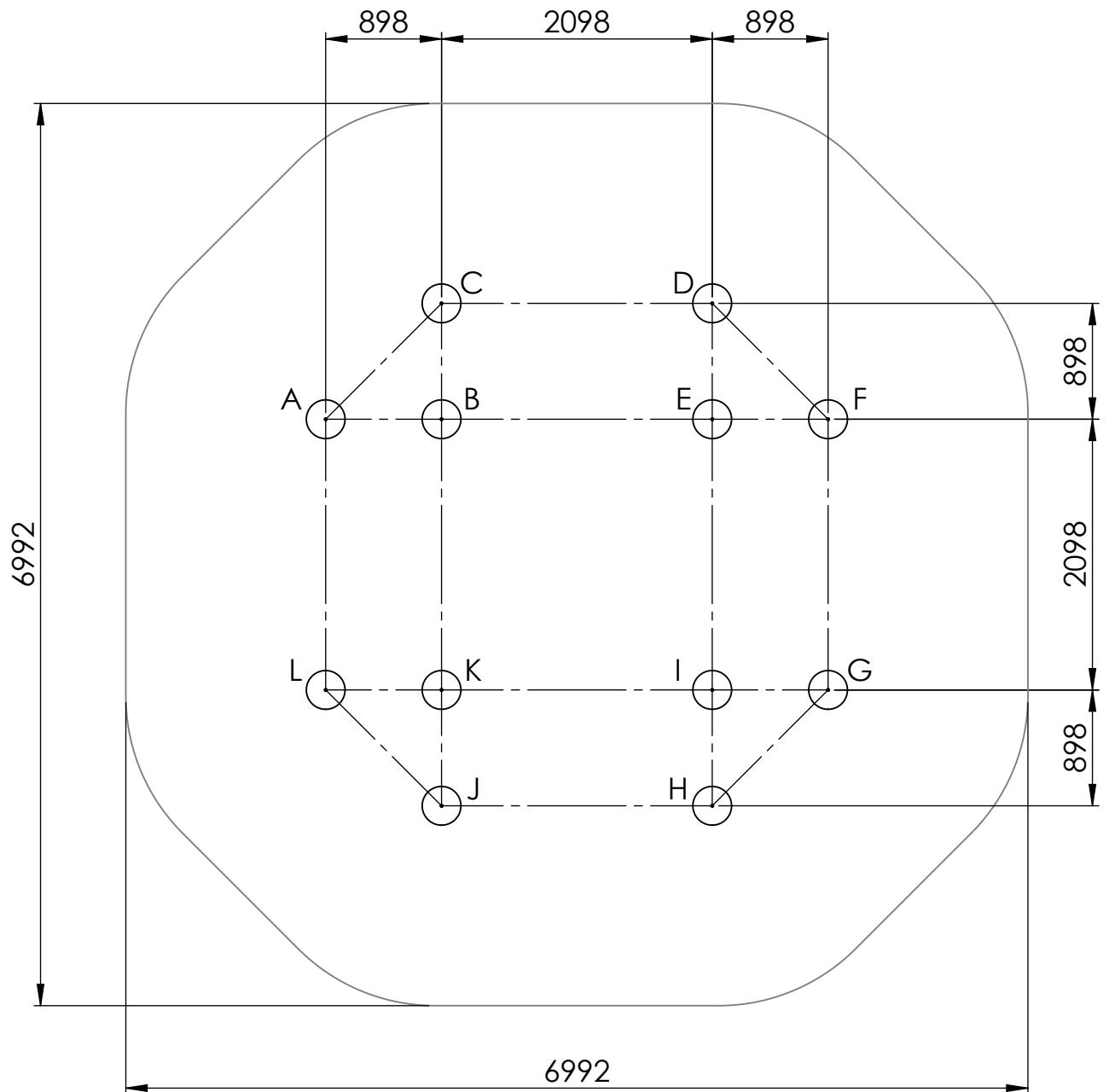
A

B

C

D

E



UNLESS OTHERWISE SPECIFIED: DIMENSIONS ARE IN MILLIMETERS WEIGHT ARE IN KILOGRAMM				
	NAME	SIGNATURE	DATE	REVISION
DRAWN	M.Rebase		3.12.2015	
APPV'D				

PART NUMBER / DWG NO.:
TKR001-4

DESCRIPTION:
Balance track 4

 **Tiptaptap** OÜ
Veetorni 9,
Jüri alevik, Rae vald,
75301 Harjumaa

MATERIAL:	wood, metal, plastic	A4
WEIGHT:	SCALE: 1:50	SHEET 3 OF 11

A

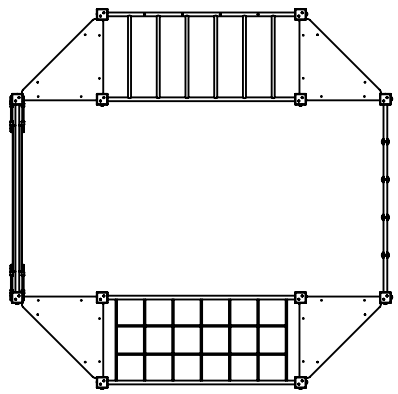
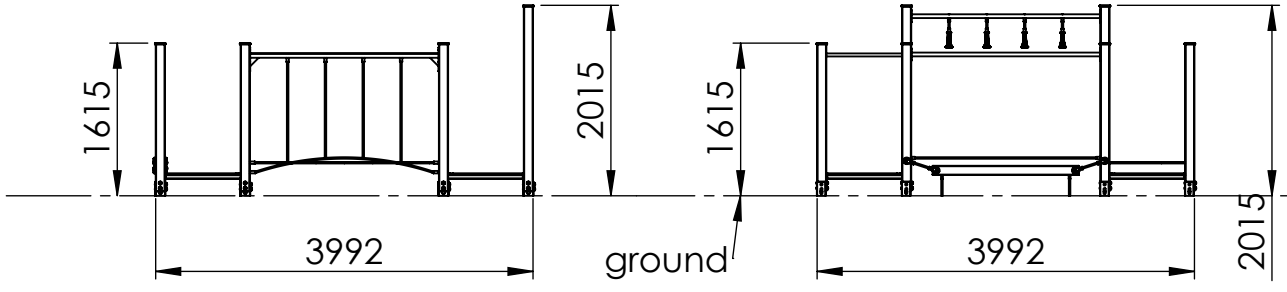
B

C

D

E

F



UNLESS OTHERWISE SPECIFIED:
DIMENSIONS ARE IN MILLIMETERS
WEIGHT ARE IN KILOGRAMM

	NAME	SIGNATURE	DATE	REVISION
DRAWN	M.Rebase		3.12.2015	
APPV'D				

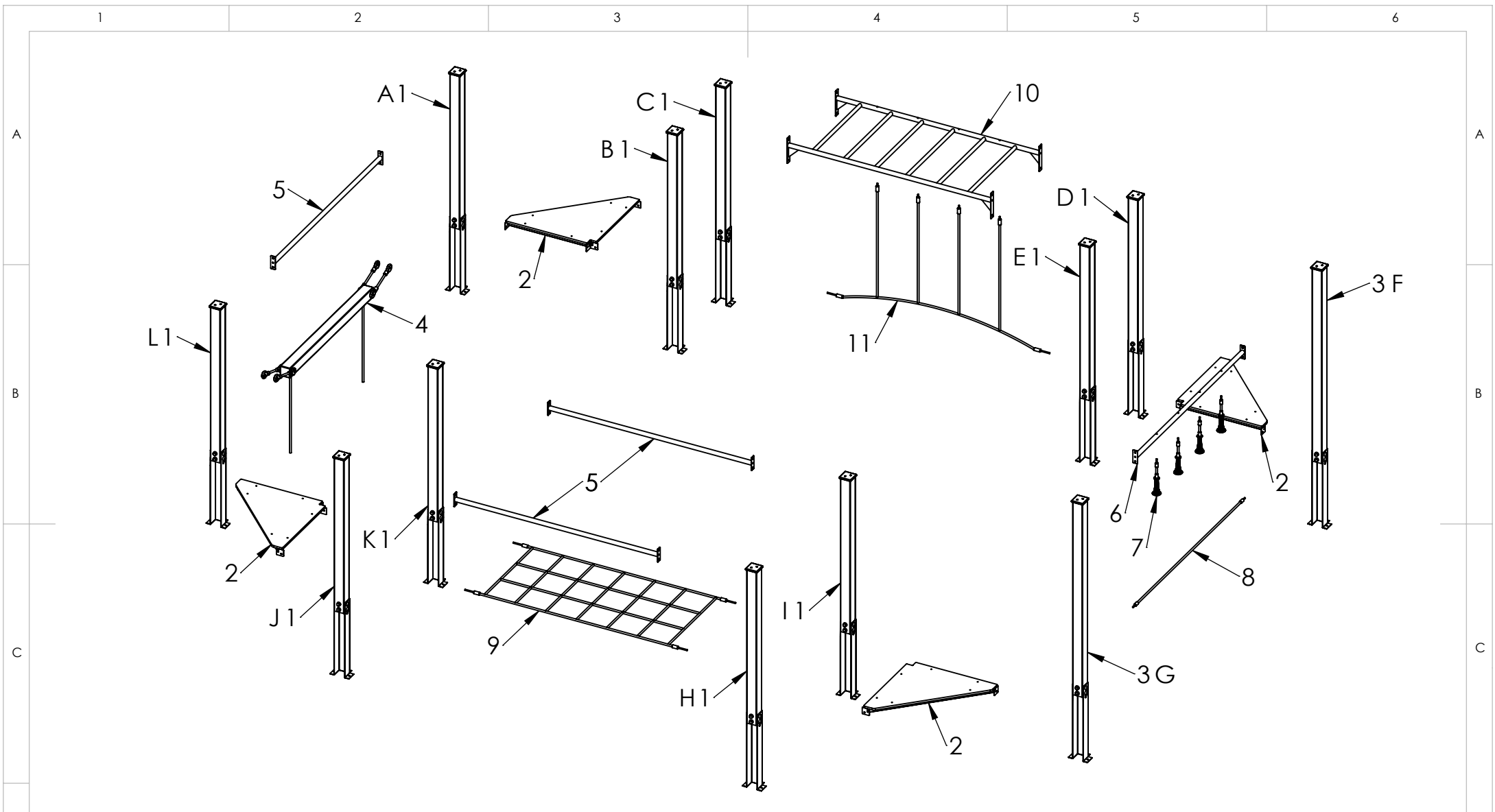
PART NUMBER / DWG NO.:
TKR001-4

DESCRIPTION:
Balance track 4



Tiptiptap OÜ
Veetorni 9,
Jüri alevik, Rae vald,
75301 Harjumaa

MATERIAL:	wood, metal, plastic	A4
WEIGHT:	SCALE: 1:80	SHEET 4 OF 11



UNLESS OTHERWISE SPECIFIED:
 DIMENSIONS ARE IN MILLIMETERS
 WEIGHT ARE IN KILOGRAMM

	NAME	SIGNATURE	DATE	REVISION
DRAWN	M.Rebase		3.12.2015	
APPV'D				

PART NUMBER / DWG NO.:
TKR001-4

DESCRIPTION:
Balance track 4




Tiptaptap OÜ
 Veetorni 9,
 Jüri alevik, Rae vald,
 75301 Harjumaa

MATERIAL:	wood, metal, plastic	A4
WEIGHT:		SCALE: 1:45
		SHEET 5 OF 11

ITEM NO.	PART NUMBER	DESCRIPTION	QTY.
1	post 98x98x1550	laminated wood	10
2	triangle platform	plywood, metal	4
3	post 98x98x1950	laminated wood	2
4	balancing beam	laminated wood	1
5	beam 40x2000	painted steel	3
6	beam 40x2000, 4 holes	painted steel	1
7	handle	PP covered steel wire, plastic	4
8	rope L-2000	PP covered steel wire	1
9	net 898x2000	PP covered steel wire	1
10	horizontal ladder	painted steel	1
11	net 1175x2000	PP covered steel wire	1



UNLESS OTHERWISE SPECIFIED: DIMENSIONS ARE IN MILLIMETERS WEIGHT ARE IN KILOGRAMM				PART NUMBER / DWG NO.:		TKR001-4	
	NAME	SIGNATURE	DATE	REVISION		DESCRIPTION:	
DRAWN	M.Rebase		3.12.2015			Balance track 4	
APPV'D						MATERIAL:	
 Tiptiptap OÜ Tiptiptap OÜ Veetorni 9, Jüri alevik, Rae vald, 75301 Harjumaa				wood, metal, plastic		A4	
				WEIGHT:		SCALE: 1:45	
						SHEET 6 OF 11	

A

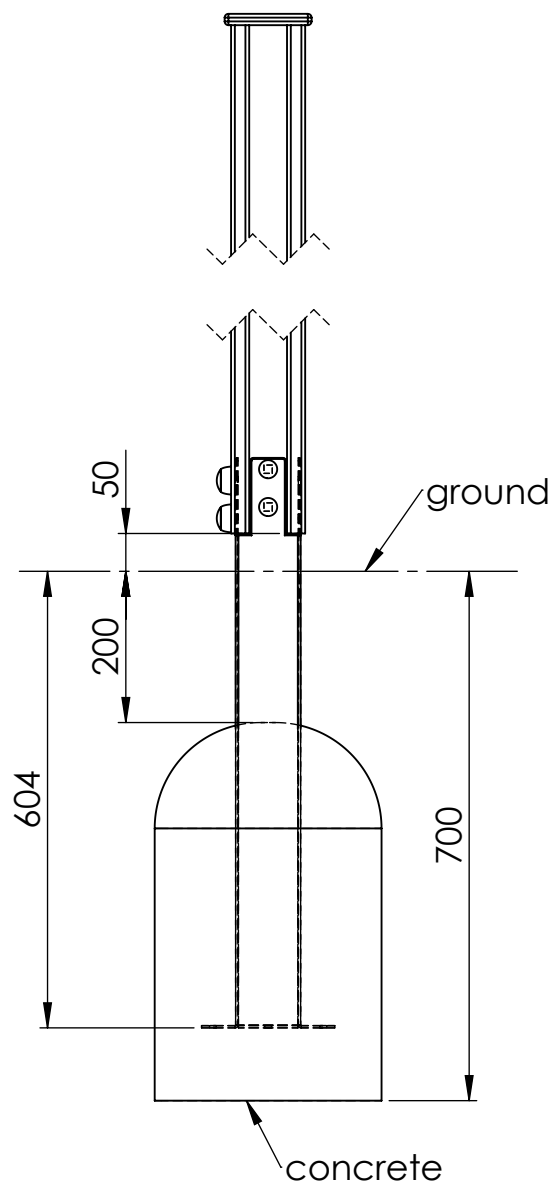
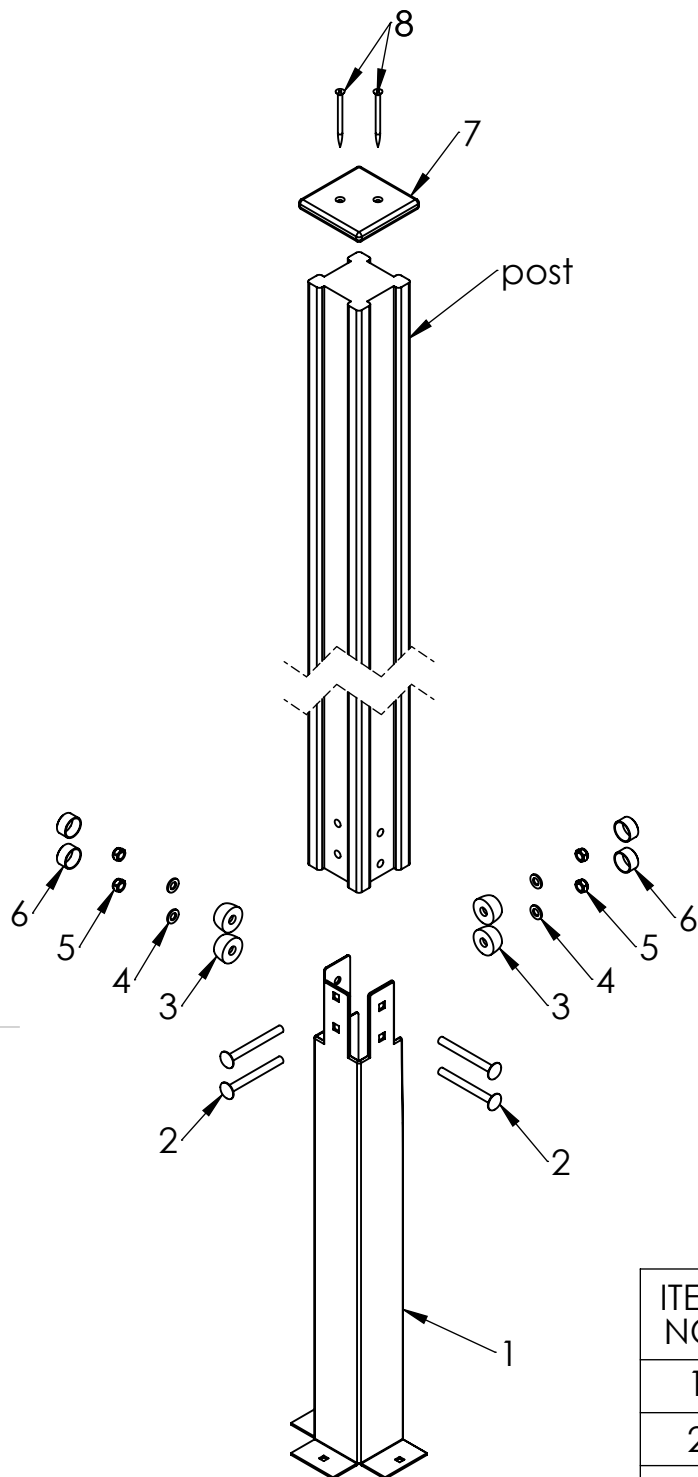
B

C

D

E

F



ITEM NO.	PART NUMBER
1	ground fixing
2	bolt DIN603 M10x100
3	nut cover M12
4	washer M10
5	nut DIN985 M10
6	nut cover cap M12
7	plastic cap 115x115
8	woodscrew 6 x 90

UNLESS OTHERWISE SPECIFIED:
DIMENSIONS ARE IN MILLIMETERS
WEIGHT ARE IN KILOGRAMM

	NAME	SIGNATURE	DATE	REVISION
DRAWN	M.Rebase		3.12.2015	
APPV'D				

PART NUMBER / DWG NO.:

TKR001-4

DESCRIPTION:

Balance track 4

MATERIAL:

wood, metal, plastic

A4

WEIGHT:

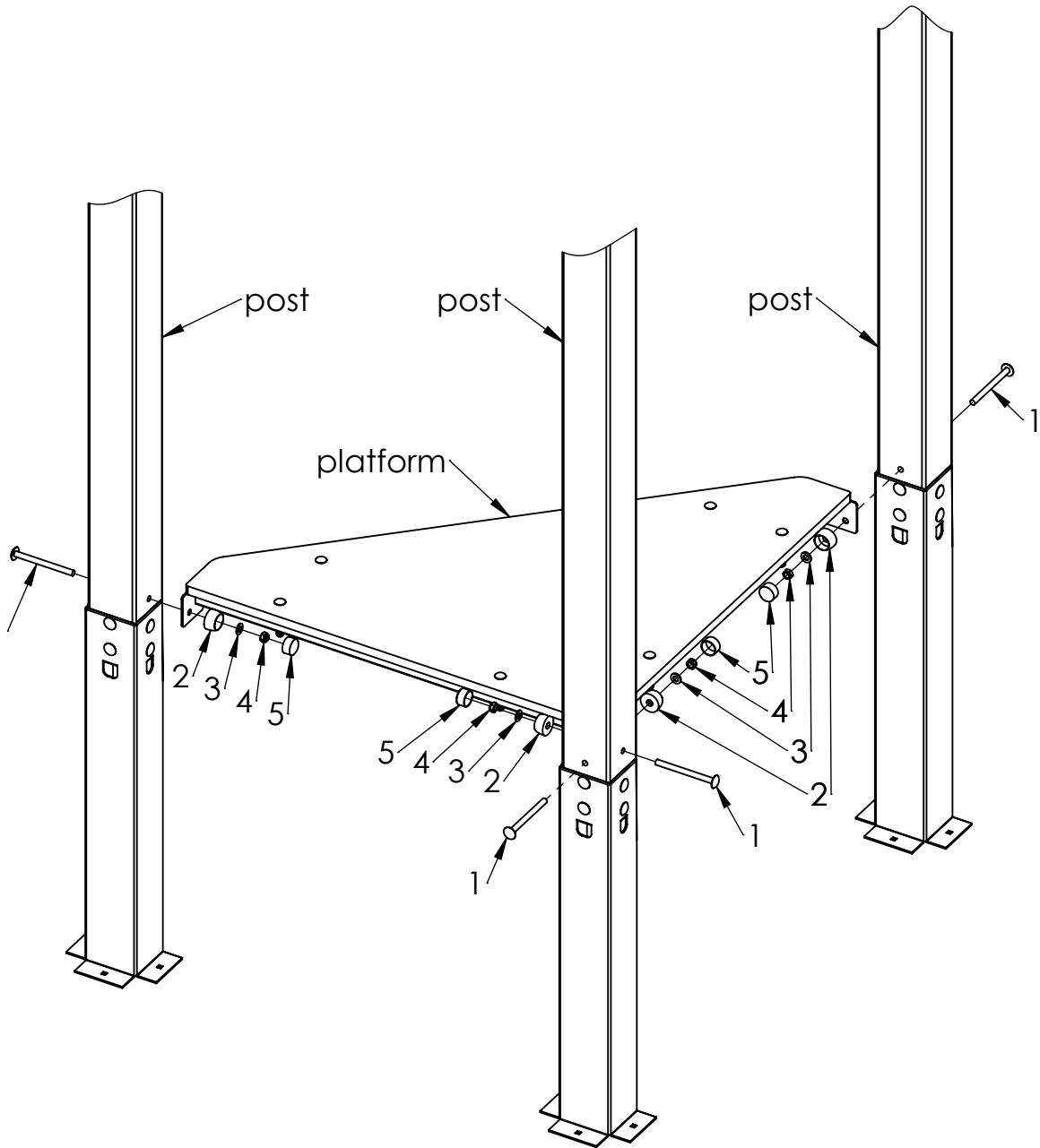
SCALE: 1:10

SHEET 7 OF 11



Tiptap OÜ

Tiptap OÜ
Veetorni 9,
Jüri alevik, Rae vald,
75301 Harjumaa



ITEM NO.	PART NUMBER
1	bolt DIN603 M10x120
2	nut cover M12
3	washer M10
4	nut DIN985 M10
5	nut cover cap M12

UNLESS OTHERWISE SPECIFIED: DIMENSIONS ARE IN MILLIMETERS WEIGHT ARE IN KILOGRAMM				
	NAME	SIGNATURE	DATE	REVISION
DRAWN	M.Rebase		3.12.2015	
APPV'D				

PART NUMBER / DWG NO.:		TKR001-4	
DESCRIPTION:			
Balance track 4 connecting platform to post			
MATERIAL:		wood, metal, plastic	A4
WEIGHT:		SCALE: 1:12	SHEET 8 OF 11


Tiptiptap OÜ
 Veetorni 9,
 Jüri alevik, Rae vald,
 75301 Harjumaa

A

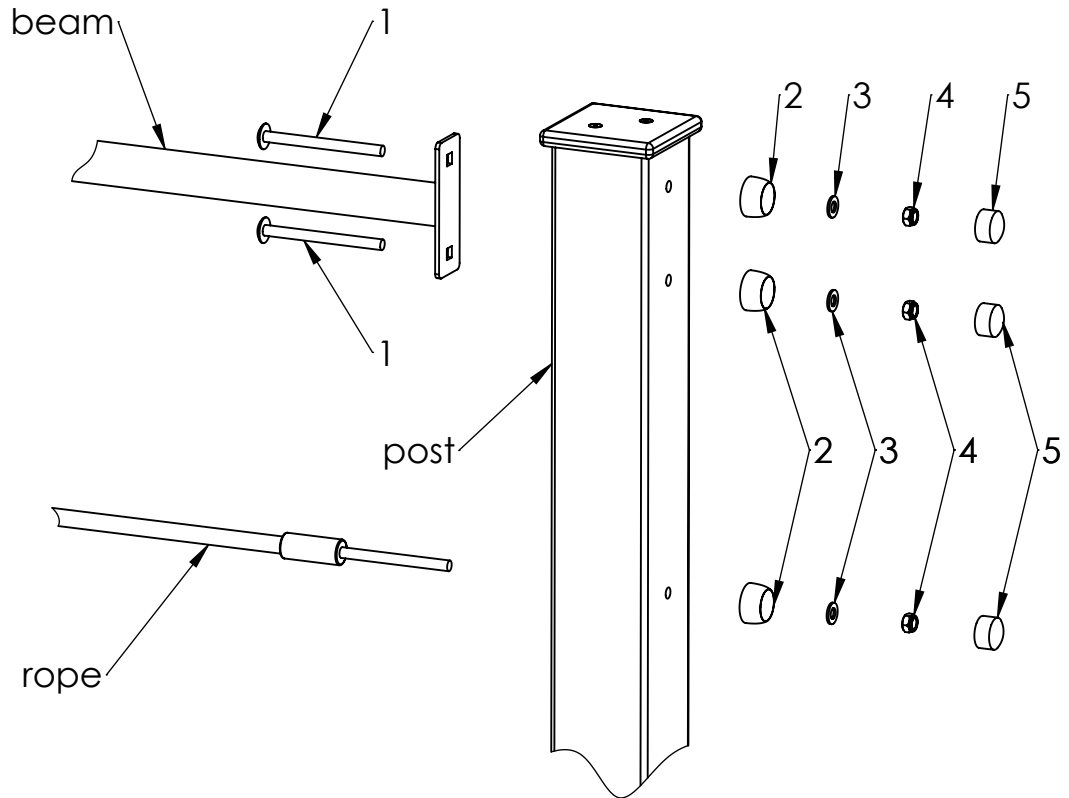
B

C

D

E

F



ITEM NO.	PART NUMBER
1	bolt DIN603 M10x120
2	nut cover M12
3	washer M10
4	nut DIN985 M10
5	nut cover cap M12

UNLESS OTHERWISE SPECIFIED: DIMENSIONS ARE IN MILLIMETERS WEIGHT ARE IN KILOGRAMM				
	NAME	SIGNATURE	DATE	REVISION
DRAWN	M.Rebase		23.03.2015	
APPV'D				

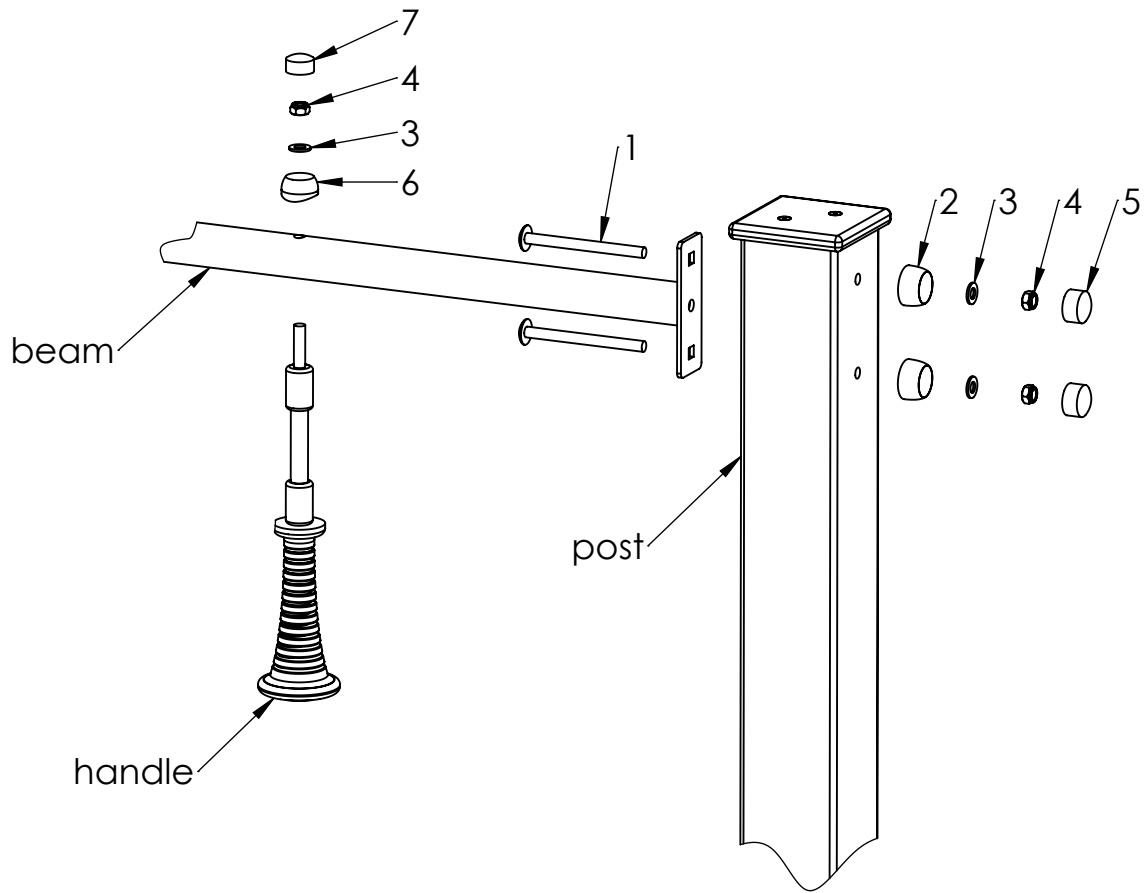
PART NUMBER / DWG NO.:
TKR001-4

DESCRIPTION:
**Balance track 4
connecting beam and rope (net) to post**



Tiptiptap OÜ
Veetorni 9,
Jüri alevik, Rae vald,
75301 Harjumaa

MATERIAL: wood, metal, plastic	A4
WEIGHT:	SCALE: 1:7
	SHEET 9 OF 11



ITEM NO.	PART NUMBER
1	bolt DIN603 M10x120
2	nut cover M12
3	washer M10
4	nut DIN985 M10
5	nut cover cap M12
6	nut cover for beam M10
7	nut cover cap M10

UNLESS OTHERWISE SPECIFIED:
DIMENSIONS ARE IN MILLIMETERS
WEIGHT ARE IN KILOGRAMM

PART NUMBER / DWG NO.:

TKR001-4

	NAME	SIGNATURE	DATE	REVISION
DRAWN	M.Rebase		23.03.2015	
APPV'D				

DESCRIPTION:

Balance track 4
connecting handles to beam

MATERIAL:

wood, metal, plastic

A4

WEIGHT:

SCALE: 1:7

SHEET 10 OF 11



Tiptiptap OÜ

Tiptiptap OÜ
Veetorni 9,
Jüri alevik, Rae vald,
75301 Harjumaa

A

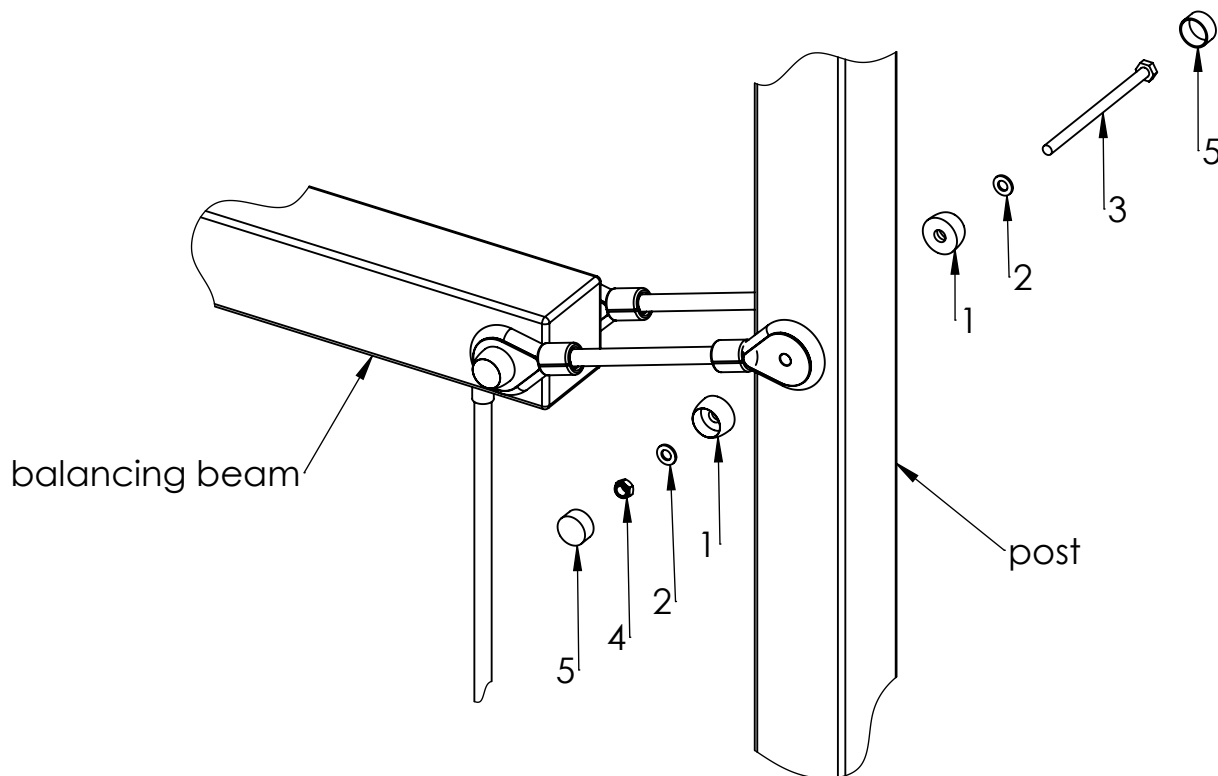
B

C

D

E

F



ITEM NO.	PART NUMBER
1	nut cover M12
2	washer M10
3	bolt DIN931 M10x170
4	nut DIN985 M10
5	nut cover cap M12

UNLESS OTHERWISE SPECIFIED:
DIMENSIONS ARE IN MILLIMETERS
WEIGHT ARE IN KILOGRAMM

PART NUMBER / DWG NO.:

TKR001-4

	NAME	SIGNATURE	DATE	REVISION
DRAWN	M.Rebase		23.03.2015	
APPV'D				

DESCRIPTION:

Balance track 4
connecting balancing beam to post

MATERIAL:

wood, metal, plastic

A4

WEIGHT:

SCALE: 1:7

SHEET 11 OF 11



Tiptap OÜ

Tiptap OÜ
Veetorni 9,
Jüri alevik, Rae vald,
75301 Harjumaa