

A

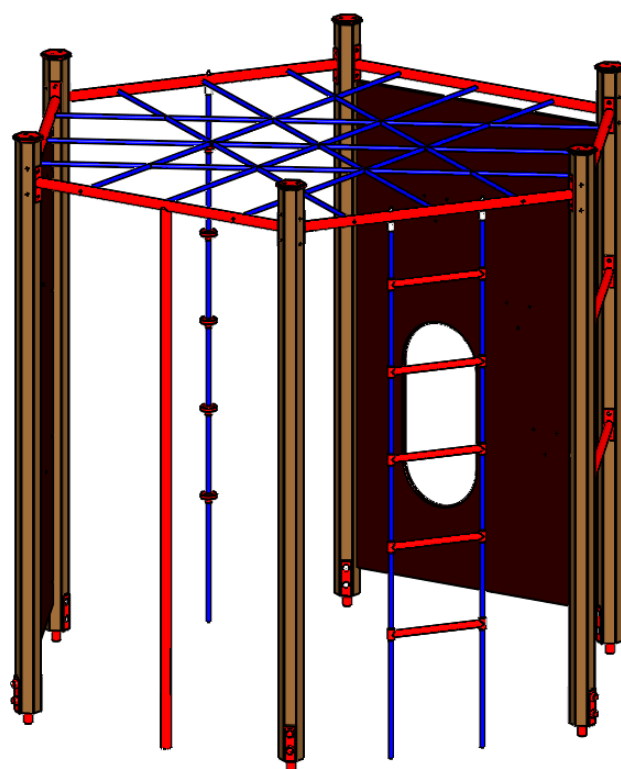
B

C

D

E

F



UNLESS OTHERWISE SPECIFIED:  
DIMENSIONS ARE IN MILLIMETERS  
WEIGHT ARE IN KILOGRAMM

PART NUMBER / DWG NO.:

RS110-2

	NAME	SIGNATURE	DATE	REVISION
DRAWN	M.Rebase		17.04.2014	
APPV'D				

DESCRIPTION:

Climbing frame HEXAGON 2



**Tiptiptap** OÜ

Tiptiptap OÜ  
Veetorni 9,  
Jüri alevik, Rae vald,  
75301 Harjumaa

MATERIAL:

wood, metal, plastic

A4

WEIGHT:

SCALE: 1:30

SHEET 1 OF 7

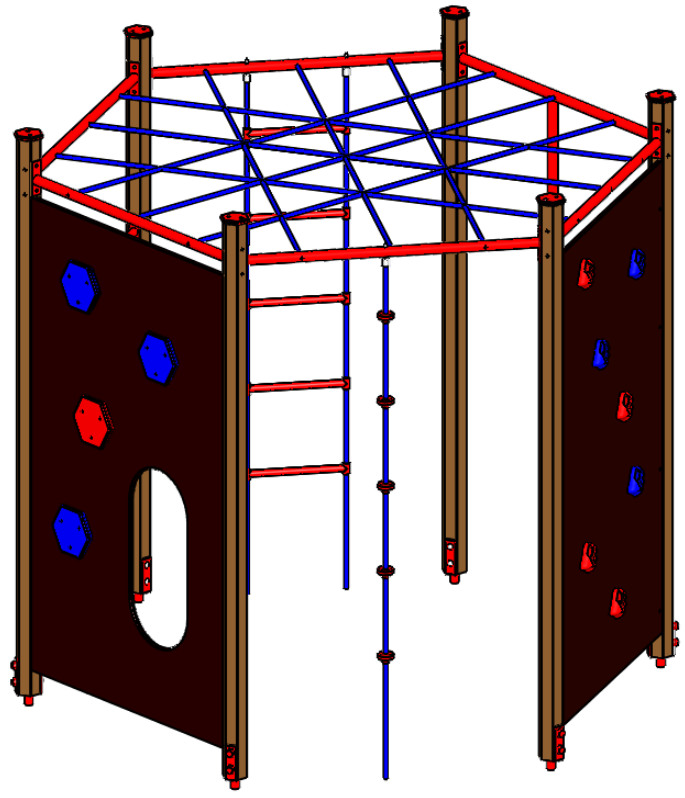
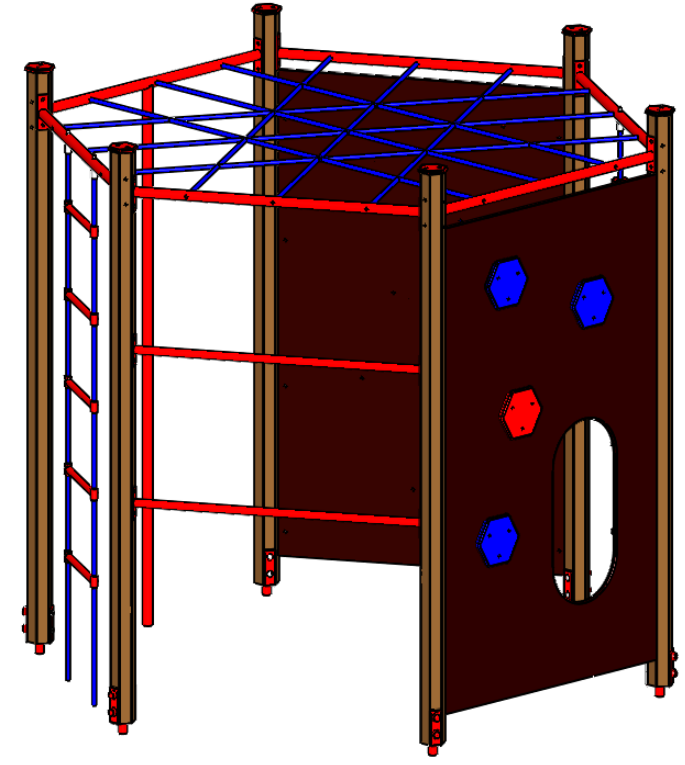
A

B

C

D

E



UNLESS OTHERWISE SPECIFIED:  
 DIMENSIONS ARE IN MILLIMETERS  
 WEIGHT ARE IN KILOGRAMM

	NAME	SIGNATURE	DATE	REVISION
DRAWN	M.Rebase		17.04.2014	
APPV'D				

PART NUMBER / DWG NO.:  
 RS110-2

DESCRIPTION:  
 Climbing frame HEXAGON 2


**Tiptiptap** OÜ  
 Veetorni 9,  
 Jüri alevik, Rae vald,  
 75301 Harjumaa

MATERIAL:	wood, metal, plastic	A4
WEIGHT:	SCALE: 1:30	SHEET 2 OF 7

# safety area

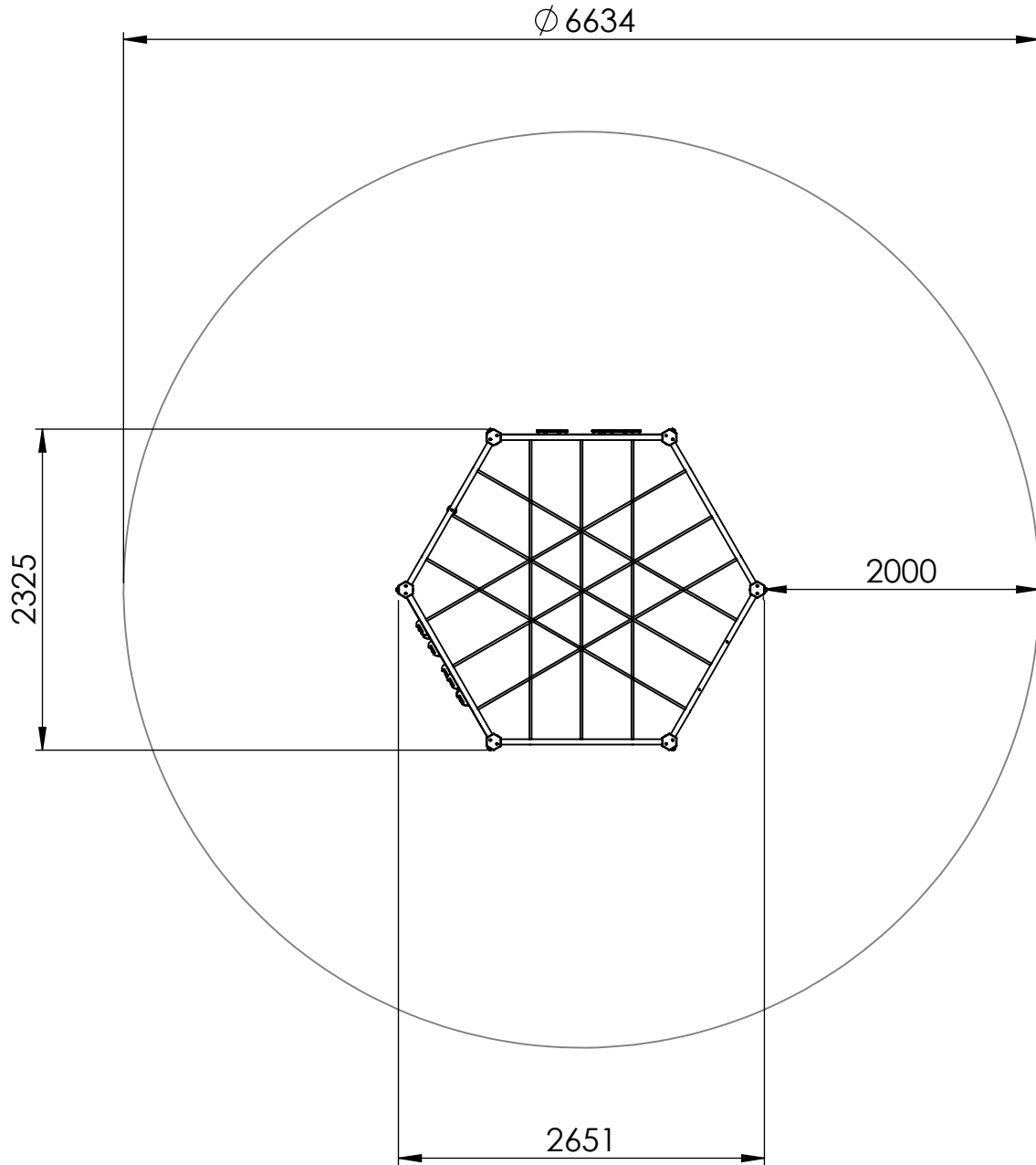
A

B

C

D

E



UNLESS OTHERWISE SPECIFIED:  
DIMENSIONS ARE IN MILLIMETERS  
WEIGHT ARE IN KILOGRAMM

PART NUMBER / DWG NO.:

RS110-2

	NAME	SIGNATURE	DATE	REVISION
DRAWN	M.Rebase		17.04.2014	
APPV'D				

DESCRIPTION:

Climbing frame HEXAGON 2

F



**Tiptiptap** OÜ

Tiptiptap OÜ  
Veetorni 9,  
Jüri alevik, Rae vald,  
75301 Harjumaa

MATERIAL:

wood, metal, plastic

A4

WEIGHT:

SCALE: 1:50

SHEET 3 OF 7

# foundation

A

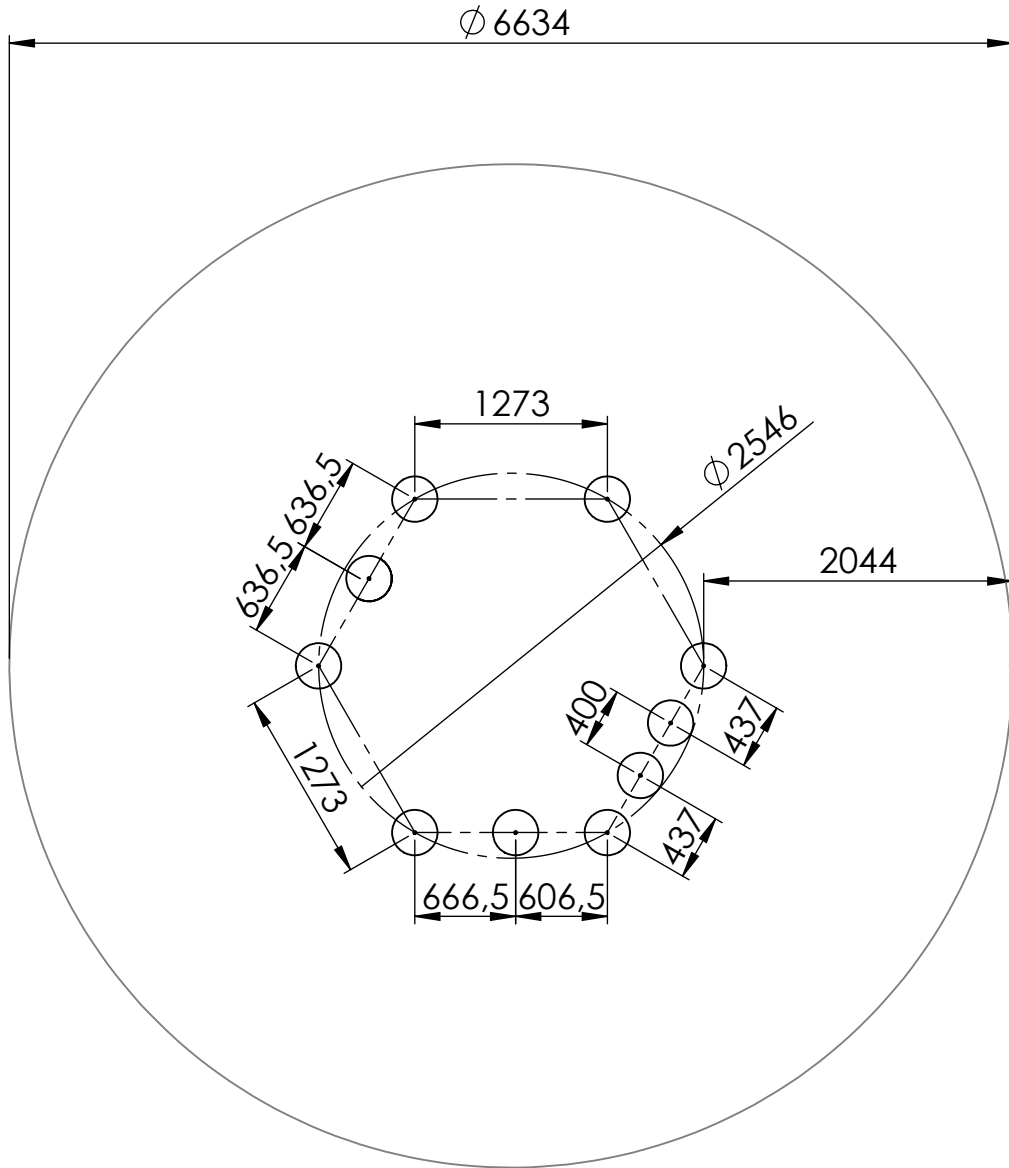
B

C

D

E

F



UNLESS OTHERWISE SPECIFIED:  
DIMENSIONS ARE IN MILLIMETERS  
WEIGHT ARE IN KILOGRAMM

PART NUMBER / DWG NO.:

RS110-2

	NAME	SIGNATURE	DATE	REVISION
DRAWN	M.Rebase		17.04.2014	
APPV'D				

DESCRIPTION:

Climbing frame HEXAGON 2



**Tiptaptap** OÜ

Tiptaptap OÜ  
Veetorni 9,  
Jüri alevik, Rae vald,  
75301 Harjumaa

MATERIAL:

wood, metal, plastic

A4

WEIGHT:

SCALE: 1:50

SHEET 4 OF 7

A

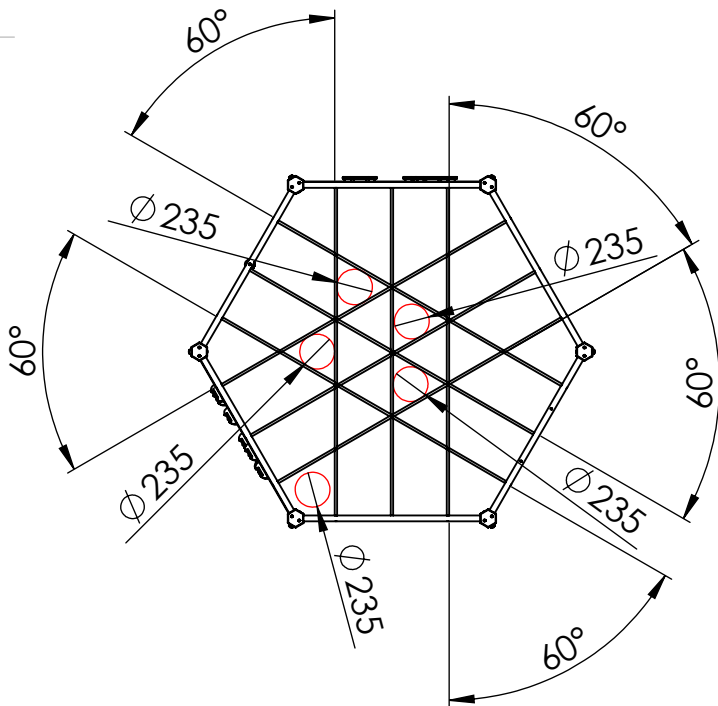
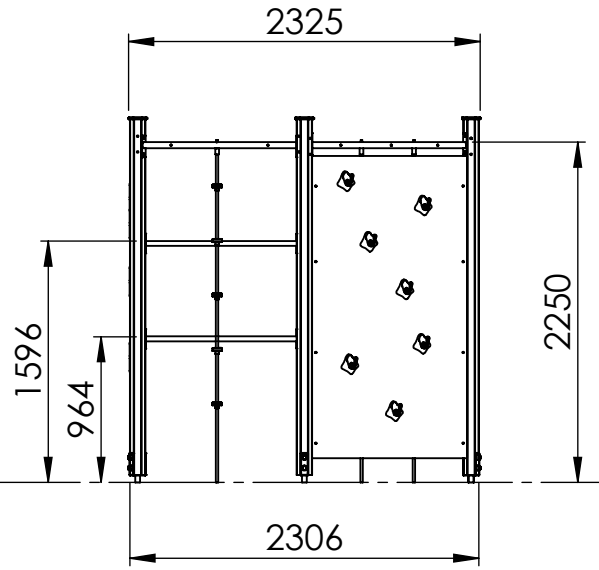
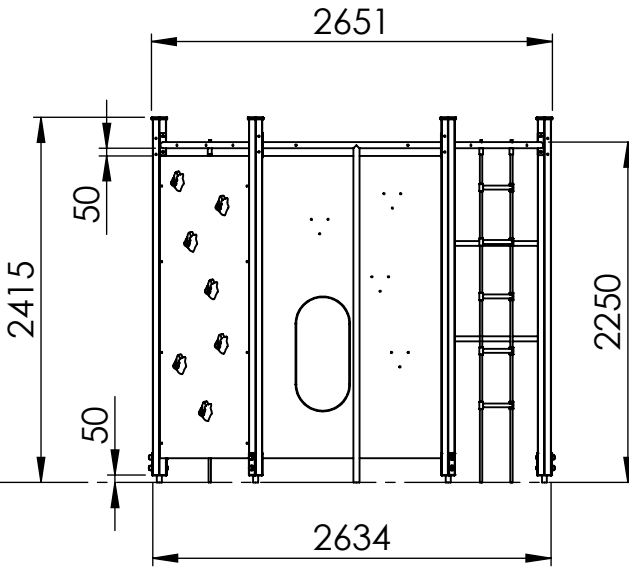
B

C

D

E

F



UNLESS OTHERWISE SPECIFIED:  
 DIMENSIONS ARE IN MILLIMETERS  
 WEIGHT ARE IN KILOGRAMM

PART NUMBER / DWG NO.:

RS110-2

	NAME	SIGNATURE	DATE	REVISION
DRAWN	M.Rebase		17.04.2014	
APPV'D				

DESCRIPTION:

Climbing frame HEXAGON 2



**Tiptiptap** OÜ

Tiptiptap OÜ  
 Veetorni 9,  
 Jüri alevik, Rae vald,  
 75301 Harjumaa

MATERIAL:

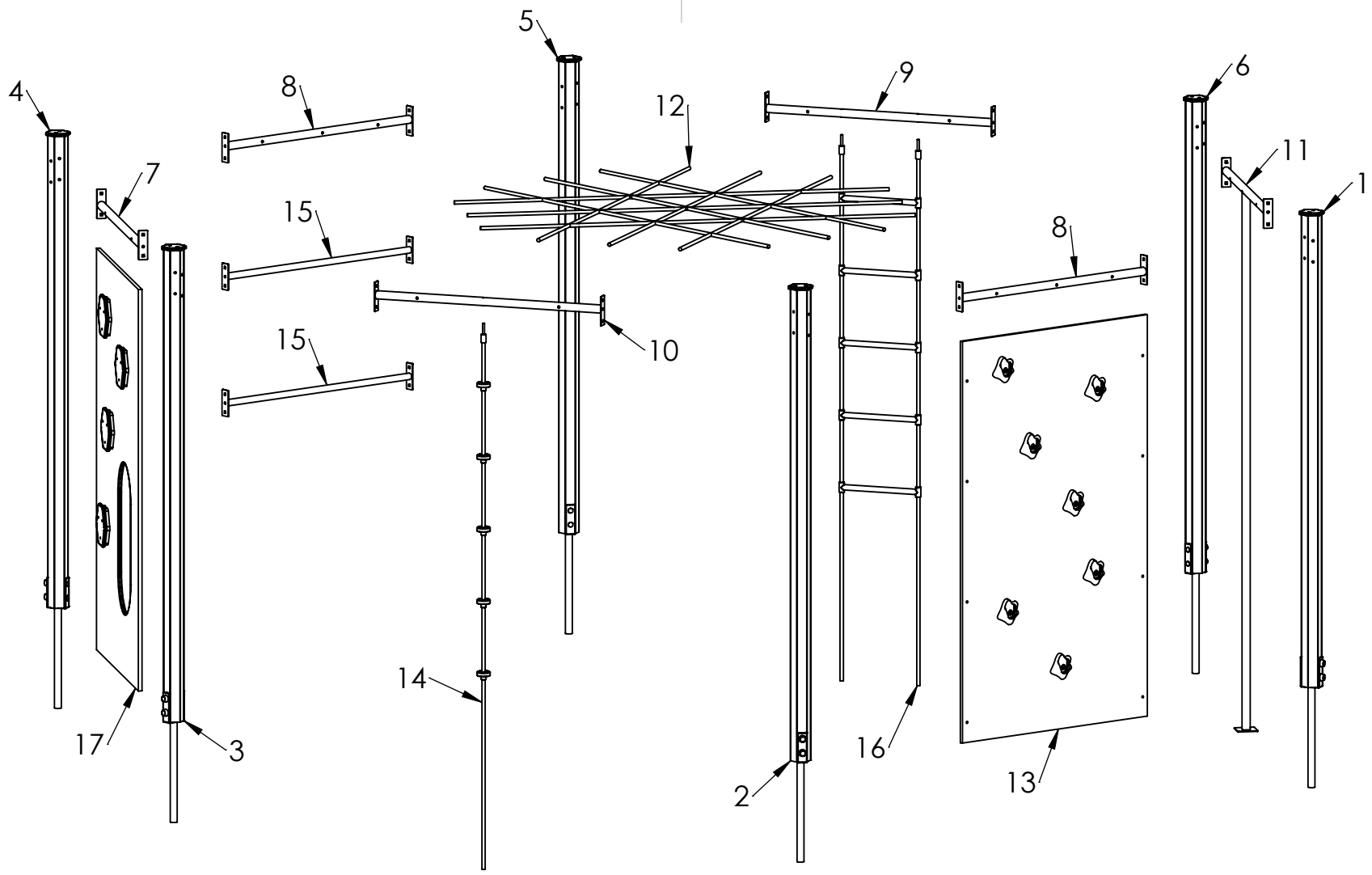
wood, metal, plastic

A4

WEIGHT:

SCALE: 1:50

SHEET 5 OF 7



UNLESS OTHERWISE SPECIFIED:  
 DIMENSIONS ARE IN MILLIMETERS  
 WEIGHT ARE IN KILOGRAMM

PART NUMBER / DWG NO.: **RS110-2**

	NAME	SIGNATURE	DATE	REVISION
DRAWN	M.Rebase		17.04.2014	
APPV'D				

DESCRIPTION:  
**Climbing frame HEXAGON 2**

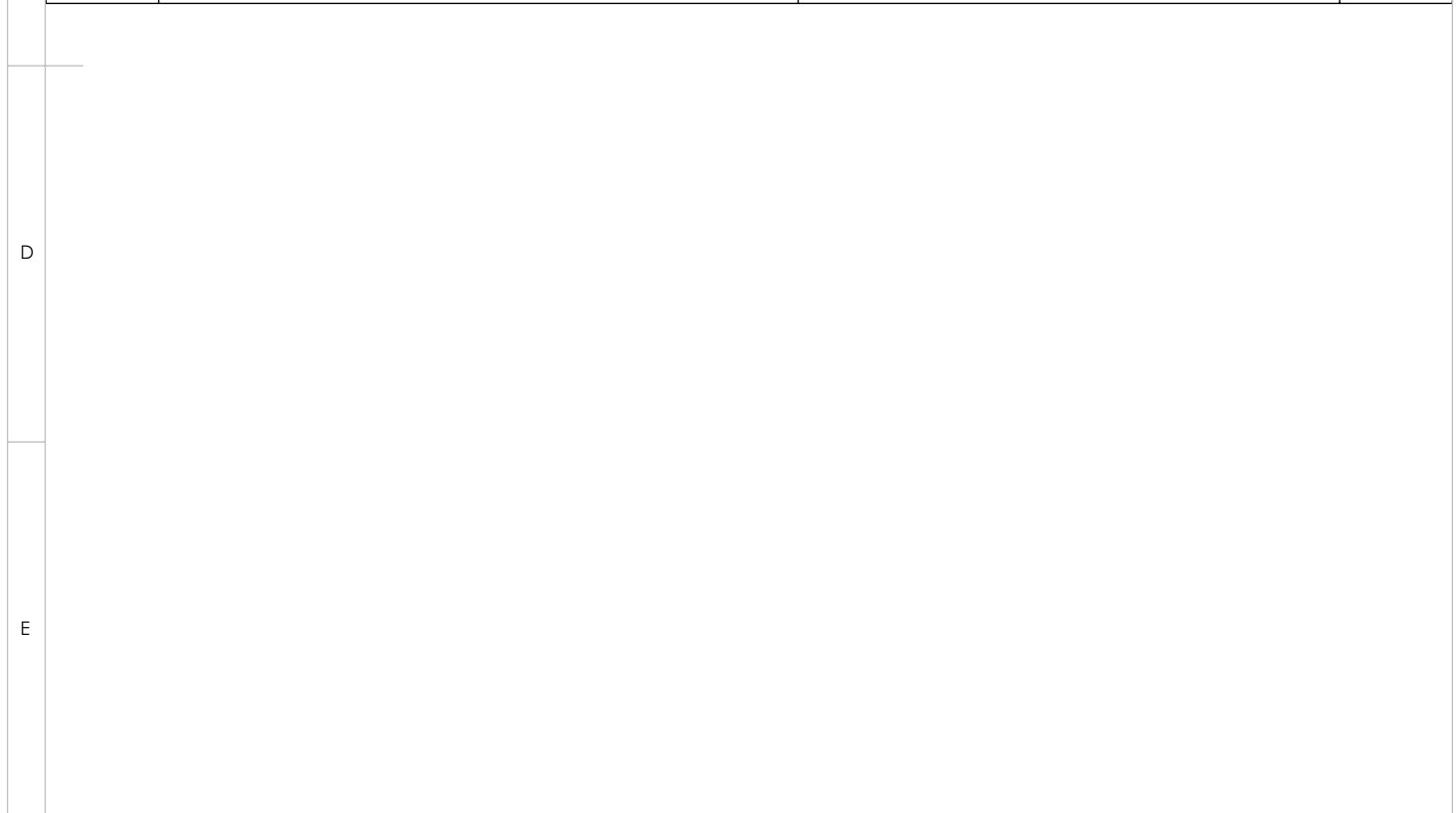


**Tiptaptap** OÜ  
 Veetorni 9,  
 Jüri alevik, Rae vald,  
 75301 Harjumaa

MATERIAL: **wood, metal, plastic** A4

WEIGHT: SCALE: 1:30 SHEET 6 OF 7

ITEM NO.	PART NUMBER	DESCRIPTION	QTY.
1	post E	laminated wood	1
2	post F	laminated wood	1
3	post A	laminated wood	1
4	post B	laminated wood	1
5	post C	laminated wood	1
6	post D	laminated wood	1
7	beam A-B 40x1185	painted steel	1
8	beam B-C, E-F 40x1185	painted steel	2
9	beam C-D 40x1185	painted steel	1
10	beam F-A 40x1185	painted steel	1
11	T-toru (RS110-1)	painted steel	1
12	climbing net	PP covered steel wire	1
13	climbing wall with grips 1000x2000	plywood	1
14	climbing rope (RS110-1)	PP covered steel wire with plastic knot	1
15	beam 32x1185		2
16	rope ladder	PP covered steel wire with plastic rung	1
17	climbing wall 2 (RS110-1)	plywood	1



UNLESS OTHERWISE SPECIFIED:  
DIMENSIONS ARE IN MILLIMETERS  
WEIGHT ARE IN KILOGRAMM

PART NUMBER / DWG NO.:  
**RS110-2**

	NAME	SIGNATURE	DATE	REVISION
DRAWN	M.Rebase		17.04.2014	
APPV'D				

DESCRIPTION:  
**Climbing frame HEXAGON 2**



**Tiptiptap** OÜ  
Veetorni 9,  
Jüri alevik, Rae vald,  
75301 Harjumaa

MATERIAL:	wood, metal, plastic	A4
WEIGHT:		SCALE: 1:30
		SHEET 7 OF 7