

A

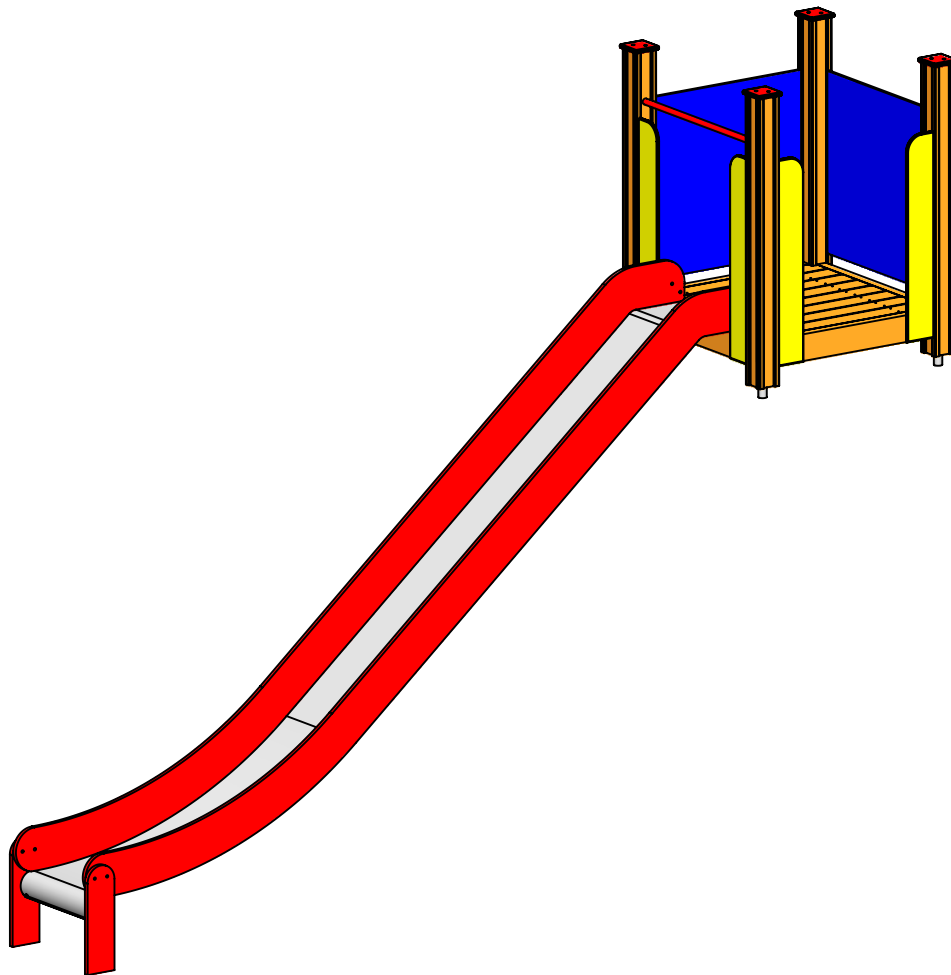
B

C

D

E

F



UNLESS OTHERWISE SPECIFIED:
 DIMENSIONS ARE IN MILLIMETERS
 WEIGHT ARE IN KILOGRAMM

PART NUMBER / DWG NO.:

LM011-1

	NAME	SIGNATURE	DATE	REVISION
DRAWN	M.Rebase		17.06.2013	
APPV'D				

DESCRIPTION:

Slide DEE



Tiptaptap OÜ

Tiptaptap OÜ
 Veetorni 9,
 Jüri alevik, Rae vald,
 75301 Harjumaa

MATERIAL:

wood, metal, plastic

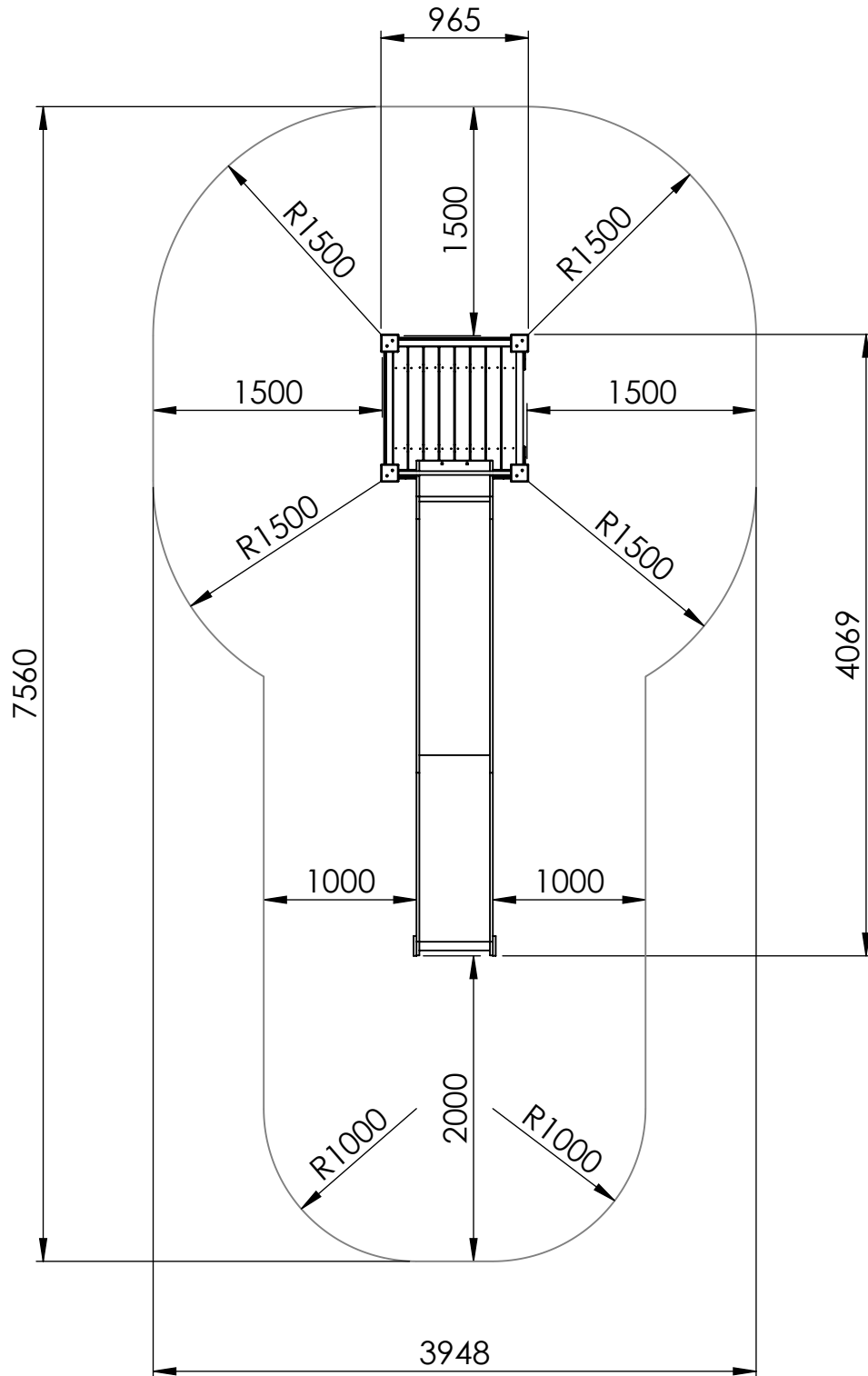
A4

WEIGHT:

SCALE: 1:30

SHEET 1 OF 12

safety area



UNLESS OTHERWISE SPECIFIED:
DIMENSIONS ARE IN MILLIMETERS
WEIGHT ARE IN KILOGRAMM

PART NUMBER / DWG NO.:

LM011-1

	NAME	SIGNATURE	DATE	REVISION
DRAWN	M.Rebase		17.06.2013	
APPV'D				

DESCRIPTION:

Slide DEE



Tiptap OÜ

Tiptap OÜ
Veetorni 9,
Jüri alevik, Rae vald,
75301 Harjumaa

MATERIAL:

wood, metal, plastic

A4

WEIGHT:

SCALE: 1:45

SHEET 2 OF 12

foundation

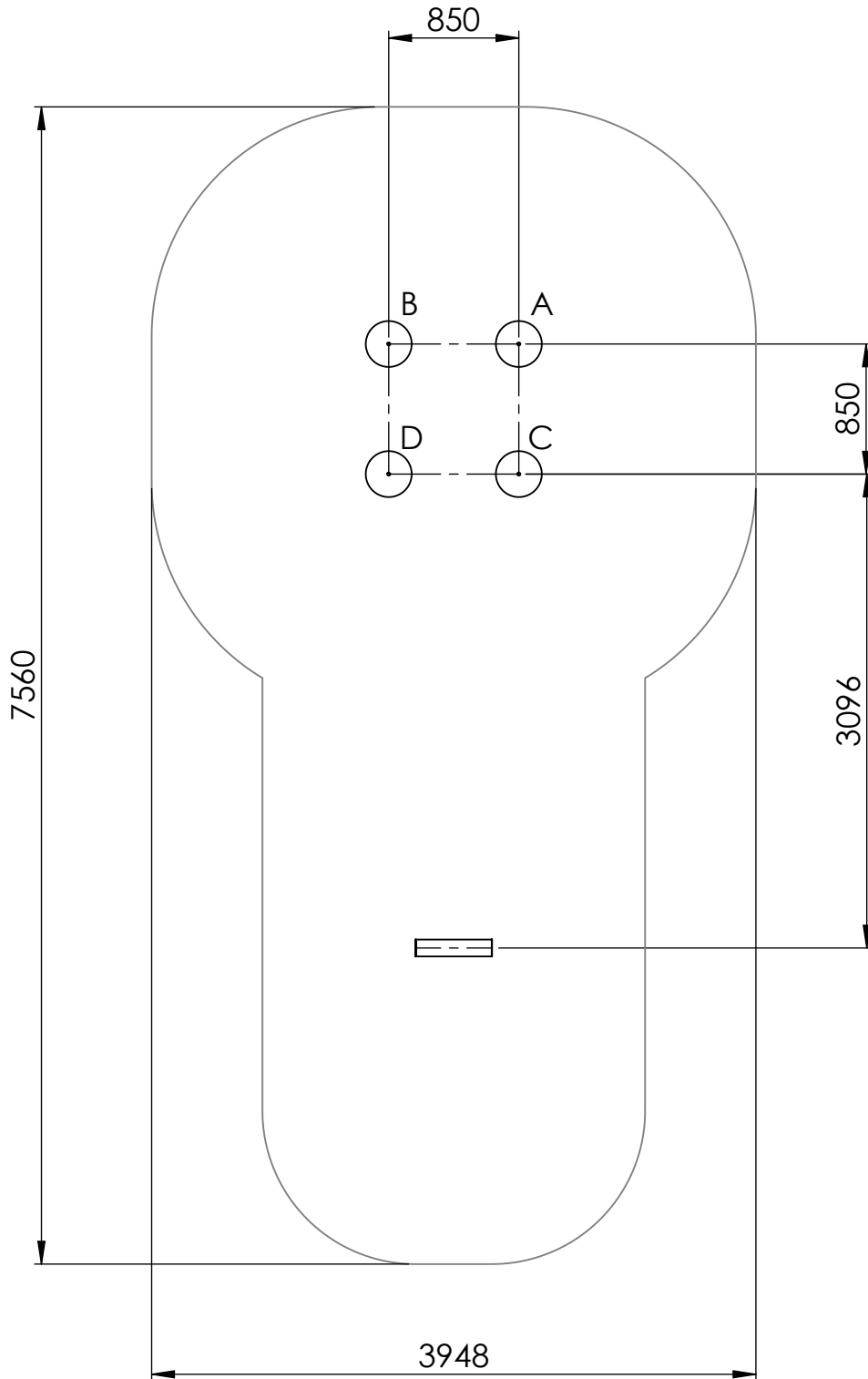
A

B

C

D

E



UNLESS OTHERWISE SPECIFIED:
DIMENSIONS ARE IN MILLIMETERS
WEIGHT ARE IN KILOGRAMM

PART NUMBER / DWG NO.:

LM011-1

	NAME	SIGNATURE	DATE	REVISION
DRAWN	M.Rebase		17.06.2013	
APPV'D				

DESCRIPTION:

Slide DEE

F



Tiptaptap OÜ

Tiptaptap OÜ
Veetorni 9,
Jüri alevik, Rae vald,
75301 Harjumaa

MATERIAL:

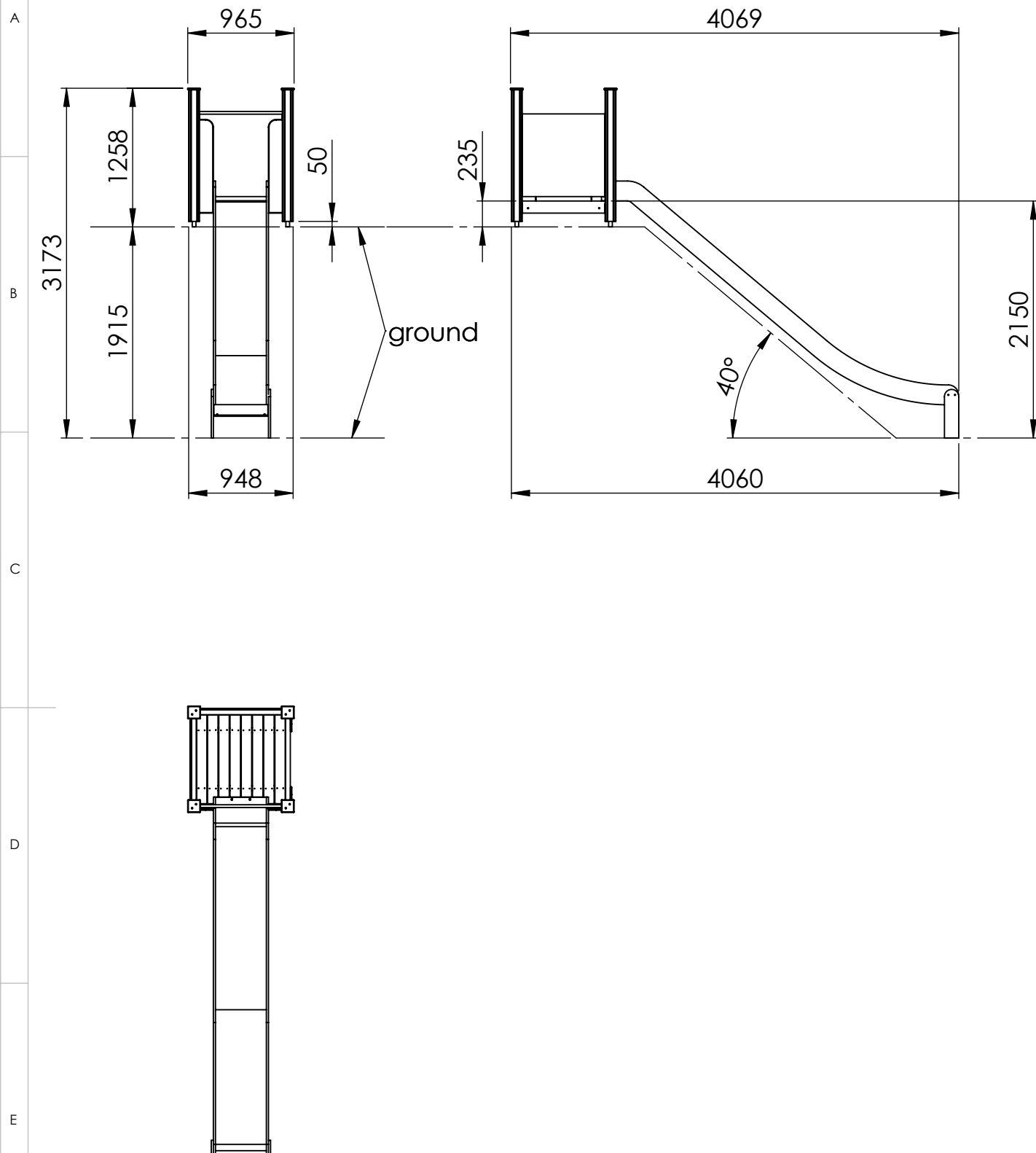
wood, metal, plastic

A4

WEIGHT:

SCALE: 1:45

SHEET 3 OF 12



UNLESS OTHERWISE SPECIFIED:
DIMENSIONS ARE IN MILLIMETERS
WEIGHT ARE IN KILOGRAMM

PART NUMBER / DWG NO.:

LM011-1

	NAME	SIGNATURE	DATE	REVISION
DRAWN	M.Rebase		17.06.2013	
APPV'D				

DESCRIPTION:

Slide DEE



Tiptaptap OÜ

Tiptaptap OÜ
Veetorni 9,
Jüri alevik, Rae vald,
75301 Harjumaa

MATERIAL:

wood, metal, plastic

A4

WEIGHT:

SCALE: 1:50

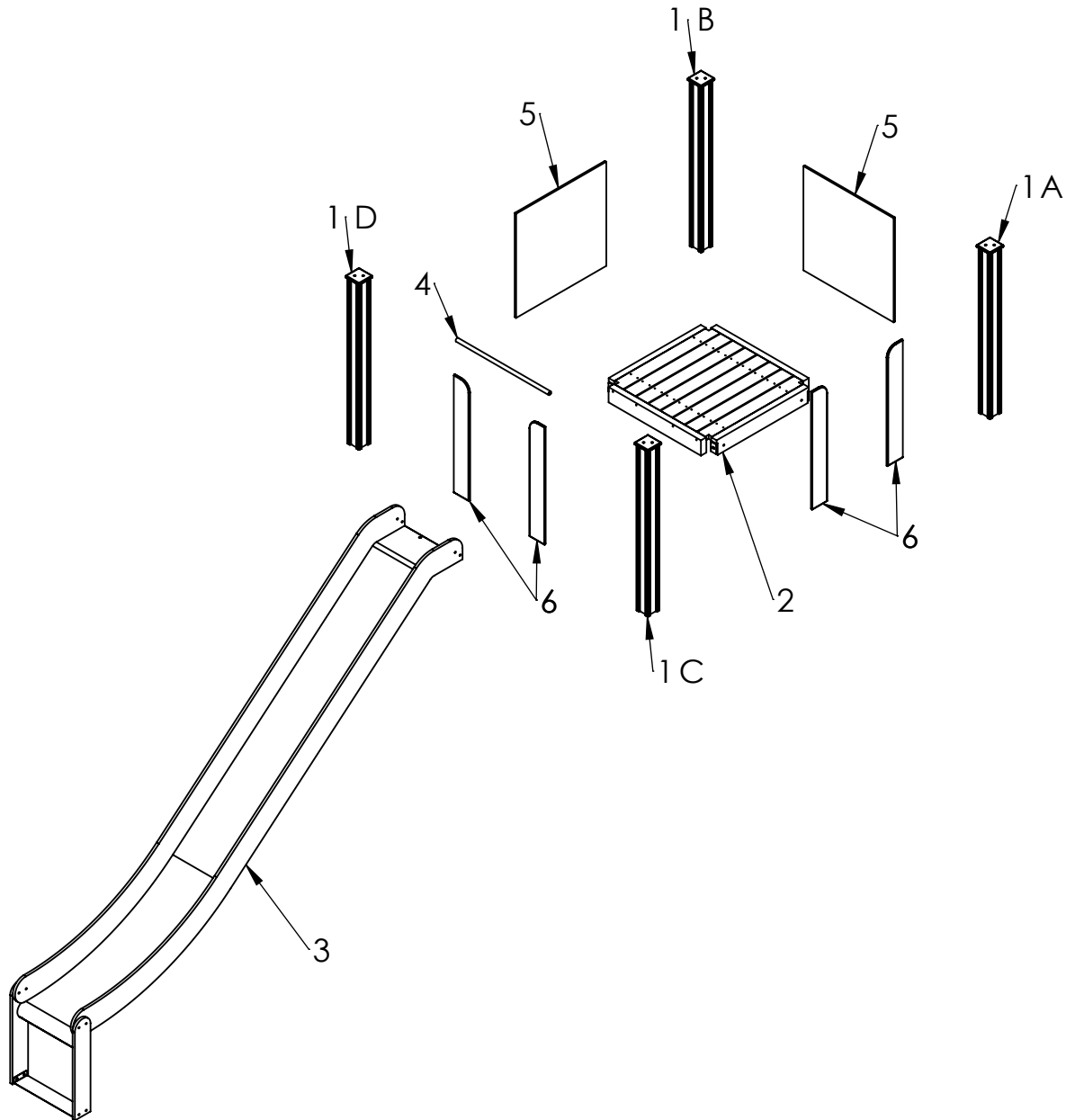
SHEET 4 OF 12

A


B

C

D



ITEM NO.	PART NUMBER	DESCRIPTION	QTY.
1	post 98x98x1200	laminated wood	4
2	platform	laminated wood	1
3	slide h_2150	stainless steel, PE plastic	1
4	guardrail ϕ 25x770	painted steel	1
5	panel 750x750	plywood	2
6	panel 850x126	plywood	4

UNLESS OTHERWISE SPECIFIED: DIMENSIONS ARE IN MILLIMETERS WEIGHT ARE IN KILOGRAMM				PART NUMBER / DWG NO.:		LM011-1			
				DESCRIPTION:				Slide DEE	
				MATERIAL:				wood, metal, plastic	
				WEIGHT:				SCALE: 1:40	
								SHEET 5 OF 12	
DRAWN		M.Rebase		DATE		17.06.2013			
APPV'D				REVISION					
F		 Tiptaptap OÜ Veetorni 9, Jüri alevik, Rae vald, 75301 Harjumaa							

A

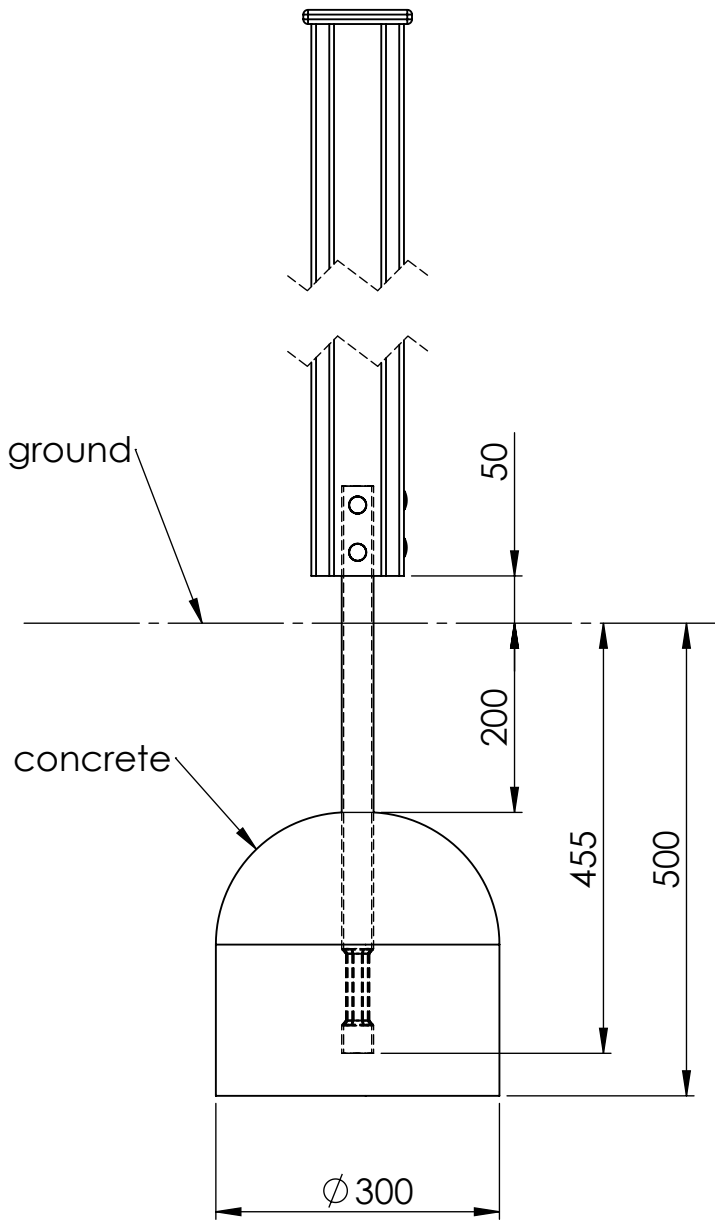
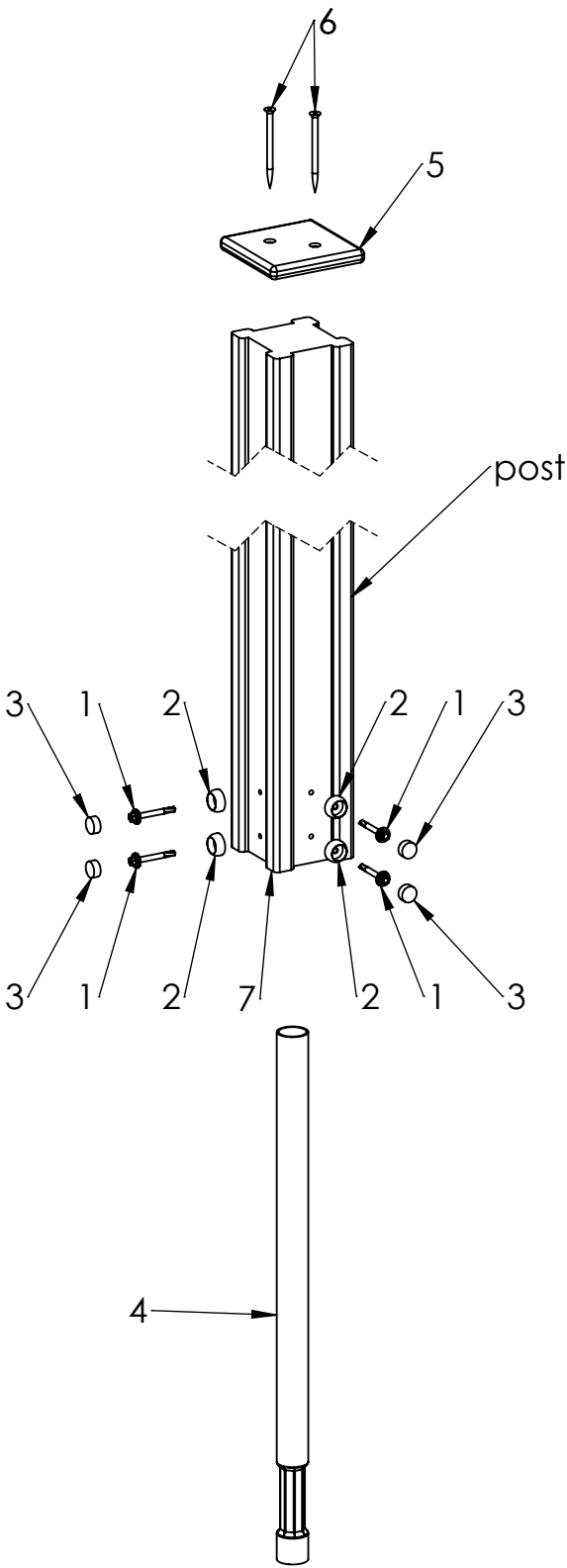
B

C

D

E

F



ITEM NO.	PART NUMBER
1	screw DIN7504K 5,5x50
2	nut cover M6
3	nut cover cap M6
4	metal ground fixing L_600
5	plastic cap 115x115
6	Woodscrew 6 x 90

UNLESS OTHERWISE SPECIFIED:
DIMENSIONS ARE IN MILLIMETERS
WEIGHT ARE IN KILOGRAMM

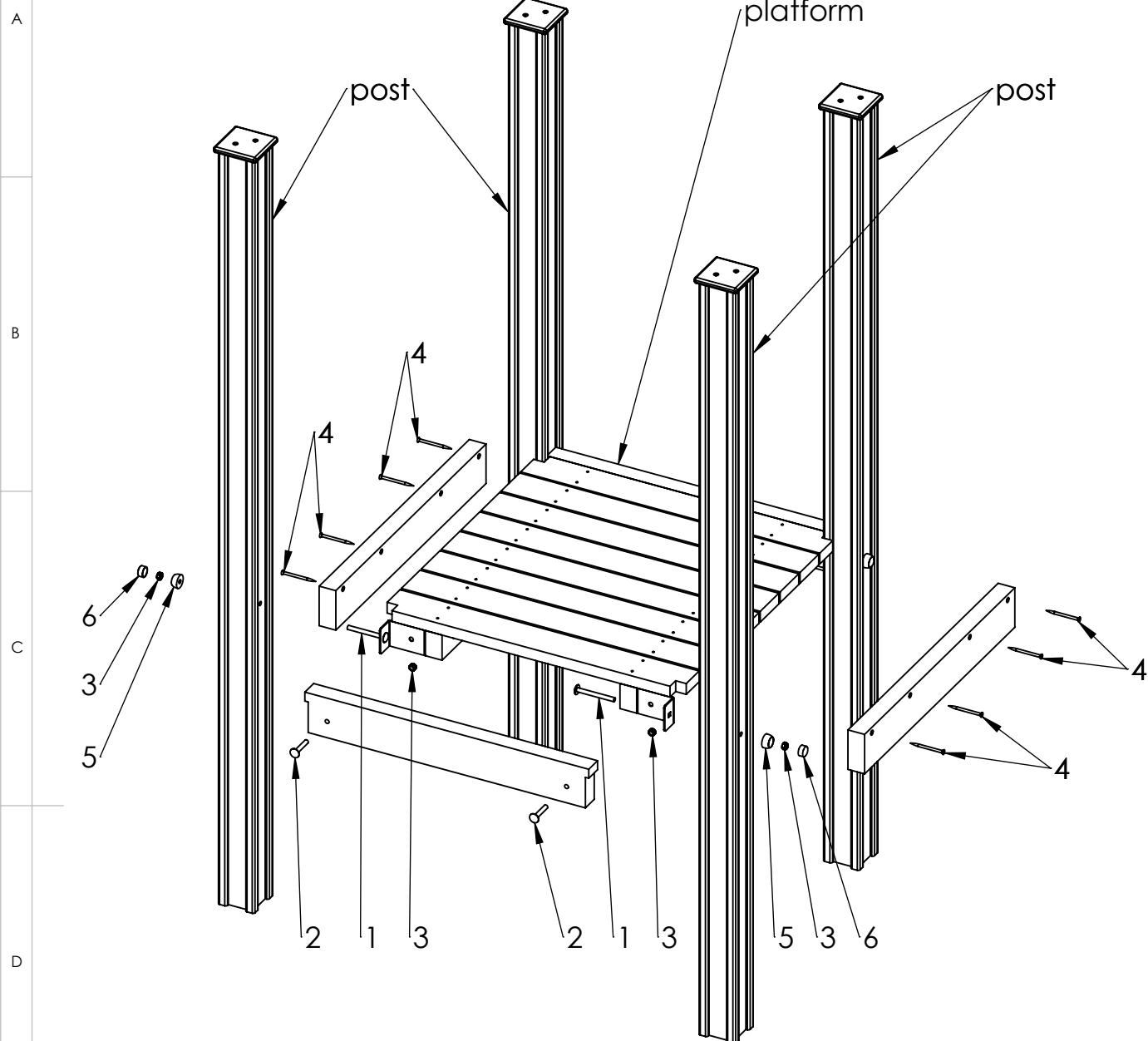
NAME	SIGNATURE	DATE	REVISION
DRAWN M.Rebase		17.06.2013	
APPV'D			

PART NUMBER / DWG NO.:	LM011-1
DESCRIPTION:	Slide DEE connecting metal ground fixing to post



Tiptaptap OÜ
Veetorni 9,
Jüri alevik, Rae vald,
75301 Harjumaa

MATERIAL:	wood, metal, plastic	A4
WEIGHT:	SCALE: 1:8	SHEET 6 OF 12



E

ITEM NO.	PART NUMBER
1	bolt DIN603 M10x100
2	bolt DIN603 M10x60
3	nut DIN985 M10
4	woodscrew 6 x 90
5	nut cover M10
6	nut cover cap M10

F

UNLESS OTHERWISE SPECIFIED:
DIMENSIONS ARE IN MILLIMETERS
WEIGHT ARE IN KILOGRAMM

	NAME	SIGNATURE	DATE	REVISION
DRAWN	M.Rebase		17.06.2013	
APPV'D				

PART NUMBER / DWG NO.:

LM011-1

DESCRIPTION:

Slide DEE
connecting platform to post

MATERIAL:

wood, metal, plastic

A4

WEIGHT:

SCALE: 1:15

SHEET 7 OF 12



Tiptaptap OÜ

Tiptaptap OÜ
Veetorni 9,
Jüri alevik, Rae vald,
75301 Harjumaa

A

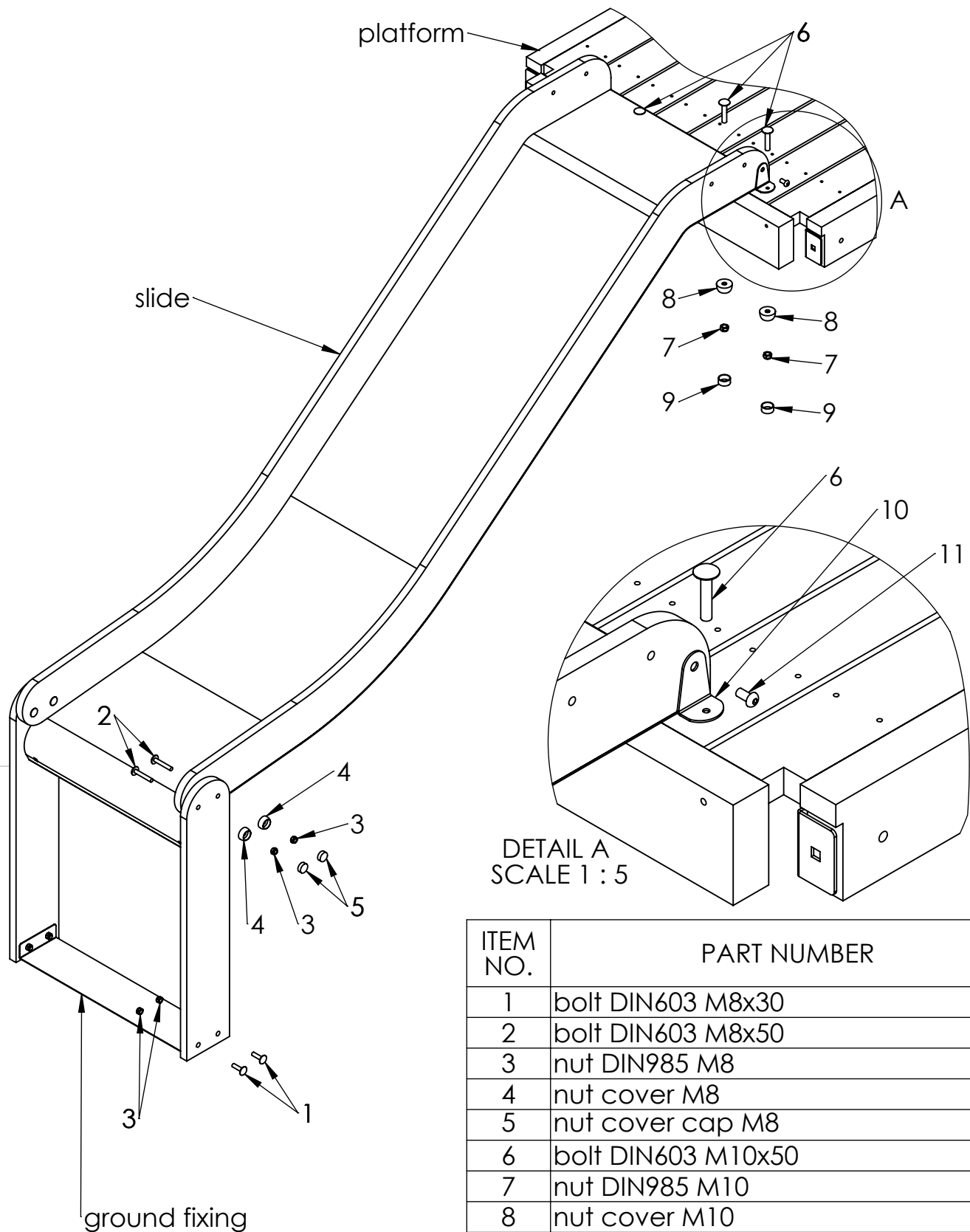
B

C

D

E

F



DETAIL A
SCALE 1 : 5

ITEM NO.	PART NUMBER
1	bolt DIN603 M8x30
2	bolt DIN603 M8x50
3	nut DIN985 M8
4	nut cover M8
5	nut cover cap M8
6	bolt DIN603 M10x50
7	nut DIN985 M10
8	nut cover M10
9	nut cover cap M10
10	corner 58x30
11	metal screw DIN 7380 M8x16

UNLESS OTHERWISE SPECIFIED:
DIMENSIONS ARE IN MILLIMETERS
WEIGHT ARE IN KILOGRAMM

	NAME	SIGNATURE	DATE	REVISION
DRAWN	M.Rebase		17.06.2013	
APPV'D				

PART NUMBER / DWG NO.:

LM011-1

DESCRIPTION:

Slide DEE
connecting slide to platform

MATERIAL:

wood, metal, plastic

A4

WEIGHT:

SCALE: 1:12

SHEET 8 OF 12



Tiptaptap OÜ

Tiptaptap OÜ
Veetorni 9,
Jüri alevik, Rae vald,
75301 Harjumaa

A

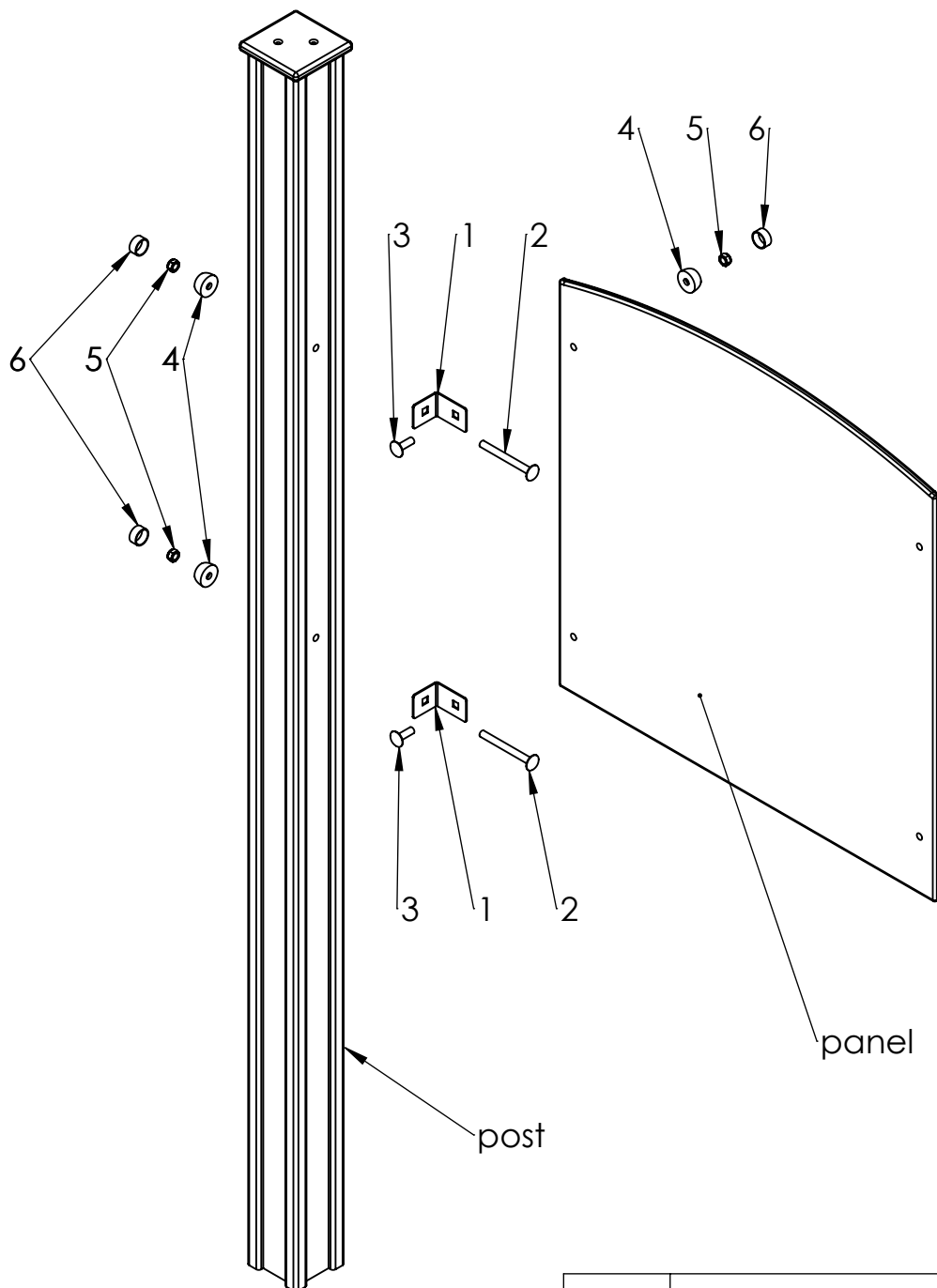
B

C

D

E

F



ITEM NO.	PART NUMBER
1	corner 48x60
2	bolt DIN603 M10x100
3	bolt DIN603 M10x30
4	nut cover M10
5	nut DIN985 M10
6	nut cover cap M10

UNLESS OTHERWISE SPECIFIED:
DIMENSIONS ARE IN MILLIMETERS
WEIGHT ARE IN KILOGRAMM

PART NUMBER / DWG NO.:

LM011-1

	NAME	SIGNATURE	DATE	REVISION
DRAWN	M.Rebase		17.06.2013	
APPV'D				

DESCRIPTION:

Slide DEE
connecting panel to post

MATERIAL:

wood, metal, plastic

A4

WEIGHT:

SCALE: 1:10

SHEET 9 OF 12



Tiptaptap OÜ

Tiptaptap OÜ
Veetorni 9,
Jüri alevik, Rae vald,
75301 Harjumaa

A

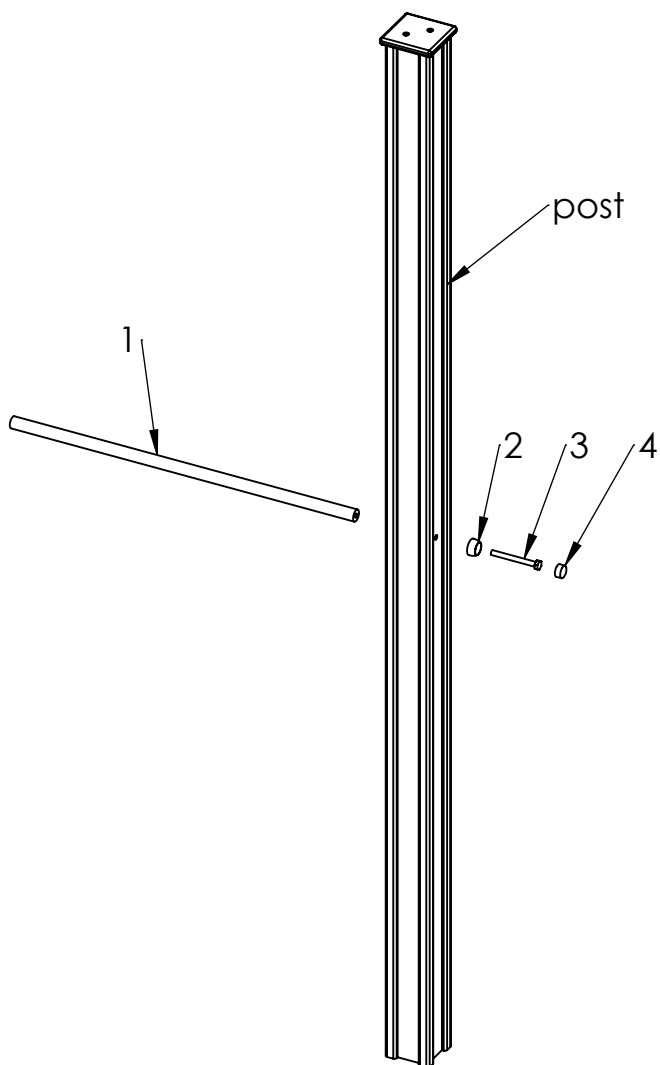
B

C

D

E

F



ITEM NO.	PART NUMBER
1	guardrail ϕ 25x770
2	nut cover M10
3	bolt DIN931 M10x100
4	nut cover cap M10

UNLESS OTHERWISE SPECIFIED:
DIMENSIONS ARE IN MILLIMETERS
WEIGHT ARE IN KILOGRAMM

	NAME	SIGNATURE	DATE	REVISION
DRAWN	M.Rebase		17.06.2013	
APPV'D				

PART NUMBER / DWG NO.:

LM011-1
connecting guardrail to post

DESCRIPTION:

Slide DEE

MATERIAL:

wood, metal, plastic

A4

WEIGHT:

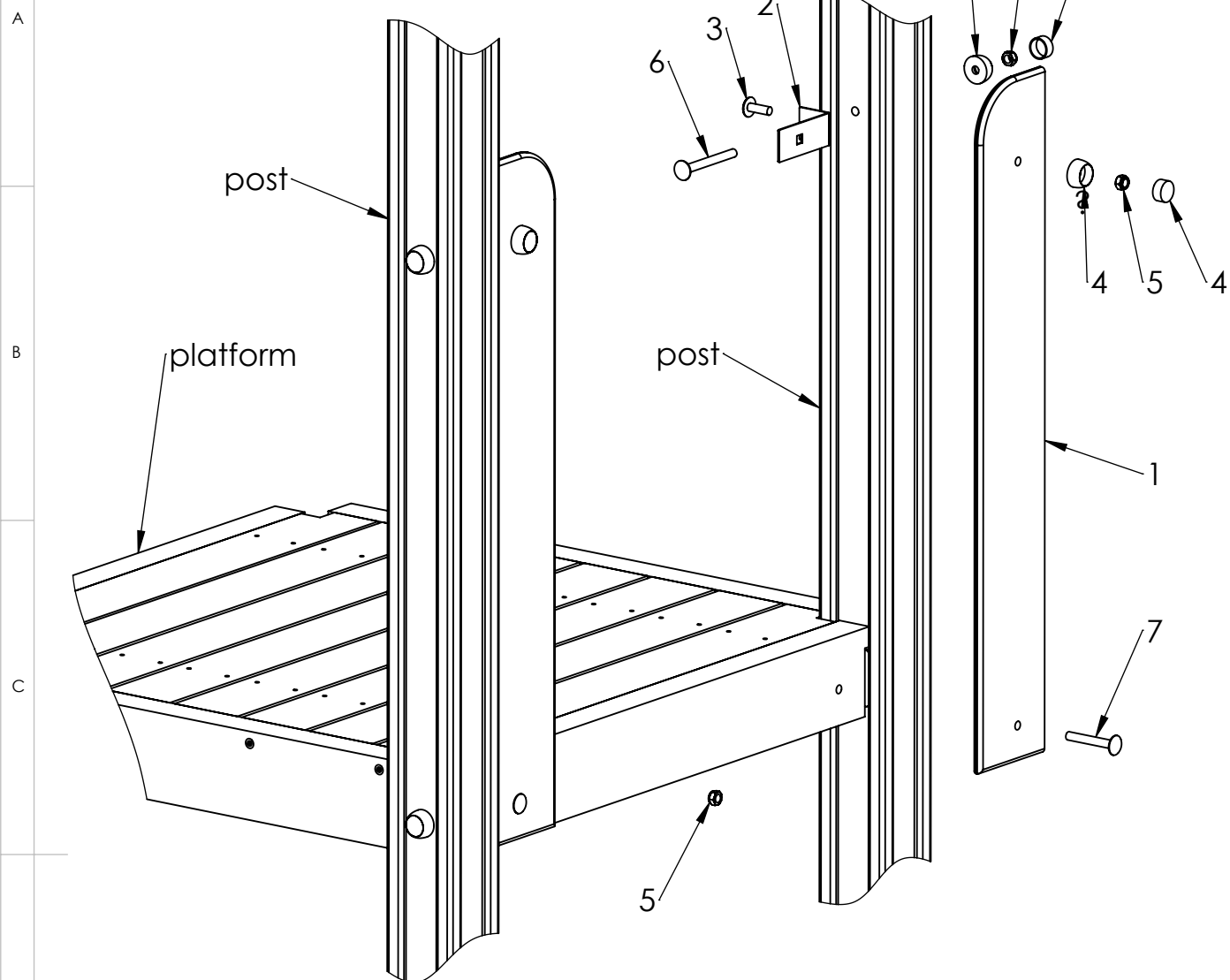
SCALE: 1:15

SHEET 10 OF 12



Tiptap OÜ

Tiptap OÜ
Veetorni 9,
Jüri alevik, Rae vald,
75301 Harjumaa



ITEM NO.	PART NUMBER
1	panel 850x126
2	slide side panel fixing 40x100
3	bolt DIN603 M10x30
4	nut cover with cap
5	nut DIN985 M10
6	bolt DIN603 M10x100
7	bolt DIN603 M10x70

UNLESS OTHERWISE SPECIFIED:
DIMENSIONS ARE IN MILLIMETERS
WEIGHT ARE IN KILOGRAMM

PART NUMBER / DWG NO.:

LM011-1

	NAME	SIGNATURE	DATE	REVISION
DRAWN	M.Rebase		17.06.2013	
APPV'D				

DESCRIPTION:

Slide DEE
connecting climbing pole side panels

MATERIAL:

wood, metal, plastic

A4

WEIGHT:

SCALE: 1:8

SHEET 11 OF 12



Tiptaptap OÜ

Tiptaptap OÜ
Veetorni 9,
Jüri alevik, Rae vald,
75301 Harjumaa

A

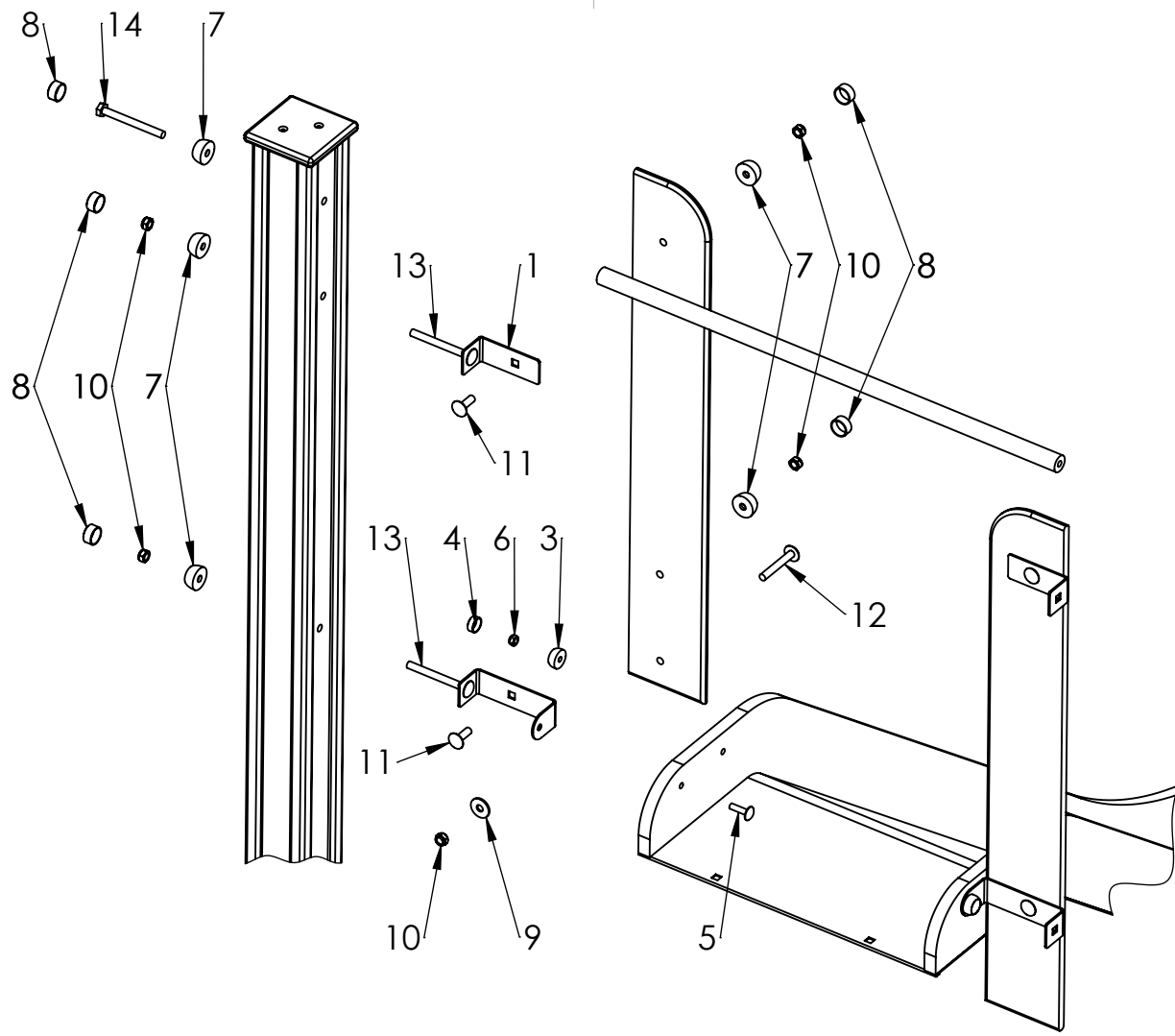
B

C

D

E

F



ITEM NO.	PART NUMBER
1	slide side panel fixing 40x100
2	slide side panel fixing 40x135
3	nut cover M8
4	nut cover cap M8
5	bolt DIN603 M8x30
6	nut DIN985 M8
7	nut cover M10
8	nut cover cap M10
9	washer M10
10	nut DIN985 M10
11	bolt DIN603 M10x30
12	bolt DIN603 M10x70
13	bolt DIN603 M10x100
14	bolt DIN931 M10x100

UNLESS OTHERWISE SPECIFIED:
 DIMENSIONS ARE IN MILLIMETERS
 WEIGHT ARE IN KILOGRAMM

	NAME	SIGNATURE	DATE	REVISION
DRAWN	M.Rebase		17.06.2013	
APPV'D				

PART NUMBER / DWG NO.:
LM011-1

DESCRIPTION:
Slide DEE



Tiptiptap OÜ
 Veetorni 9,
 Jüri alevik, Rae vald,
 75301 Harjumaa

MATERIAL:	wood, metal, plastic	A4
WEIGHT:	SCALE: 1:10	SHEET 12 OF 12