

A

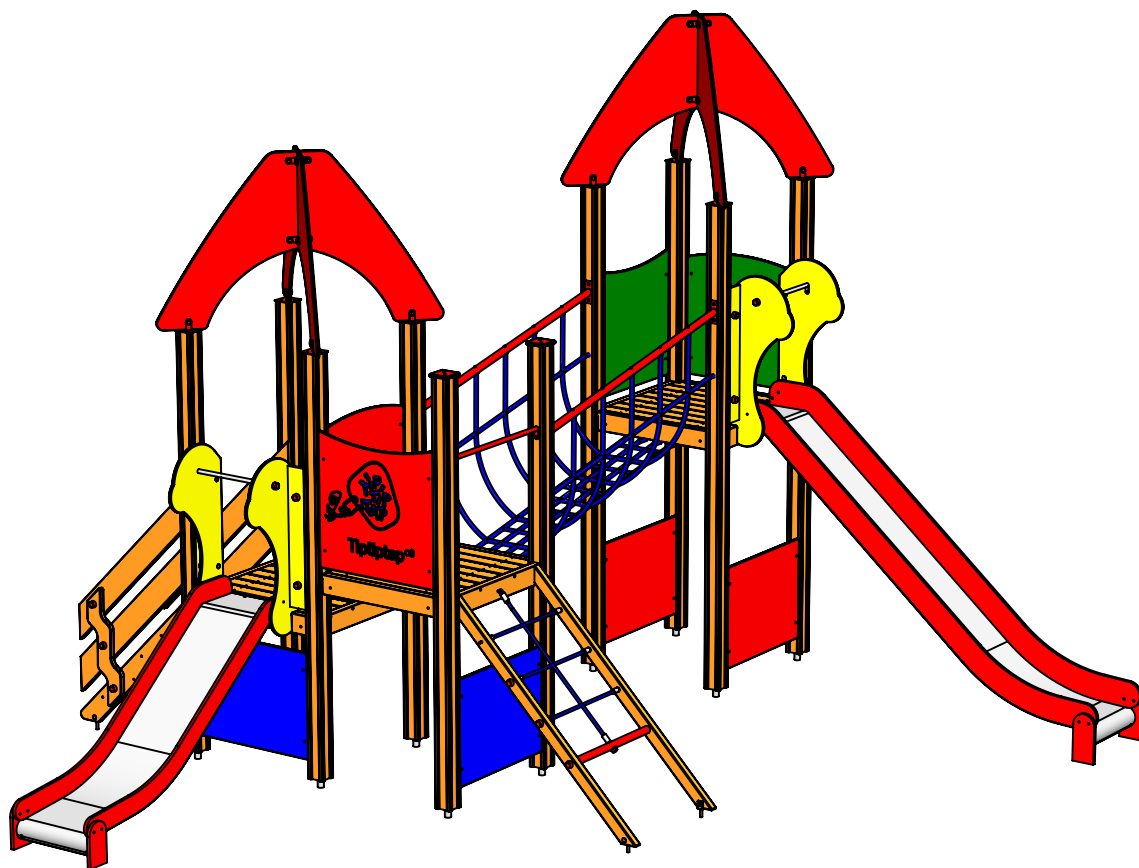
B

C

D

E

F



UNLESS OTHERWISE SPECIFIED:
DIMENSIONS ARE IN MILLIMETERS
WEIGHT ARE IN KILOGRAMM

PART NUMBER / DWG NO.:

LM102

	NAME	SIGNATURE	DATE	REVISION
DRAWN	M.Rebase		08.05.2017	
APPV'D				

DESCRIPTION:

Play Centre JOHANNA



Tiptaptap OÜ

Tiptaptap OÜ
Veetorni 9,
Jüri alevik, Rae vald,
75301 Harjumaa

MATERIAL:

wood, metal, plastic

A4

WEIGHT:

SCALE: 1:35

SHEET 1 OF 17

safety area

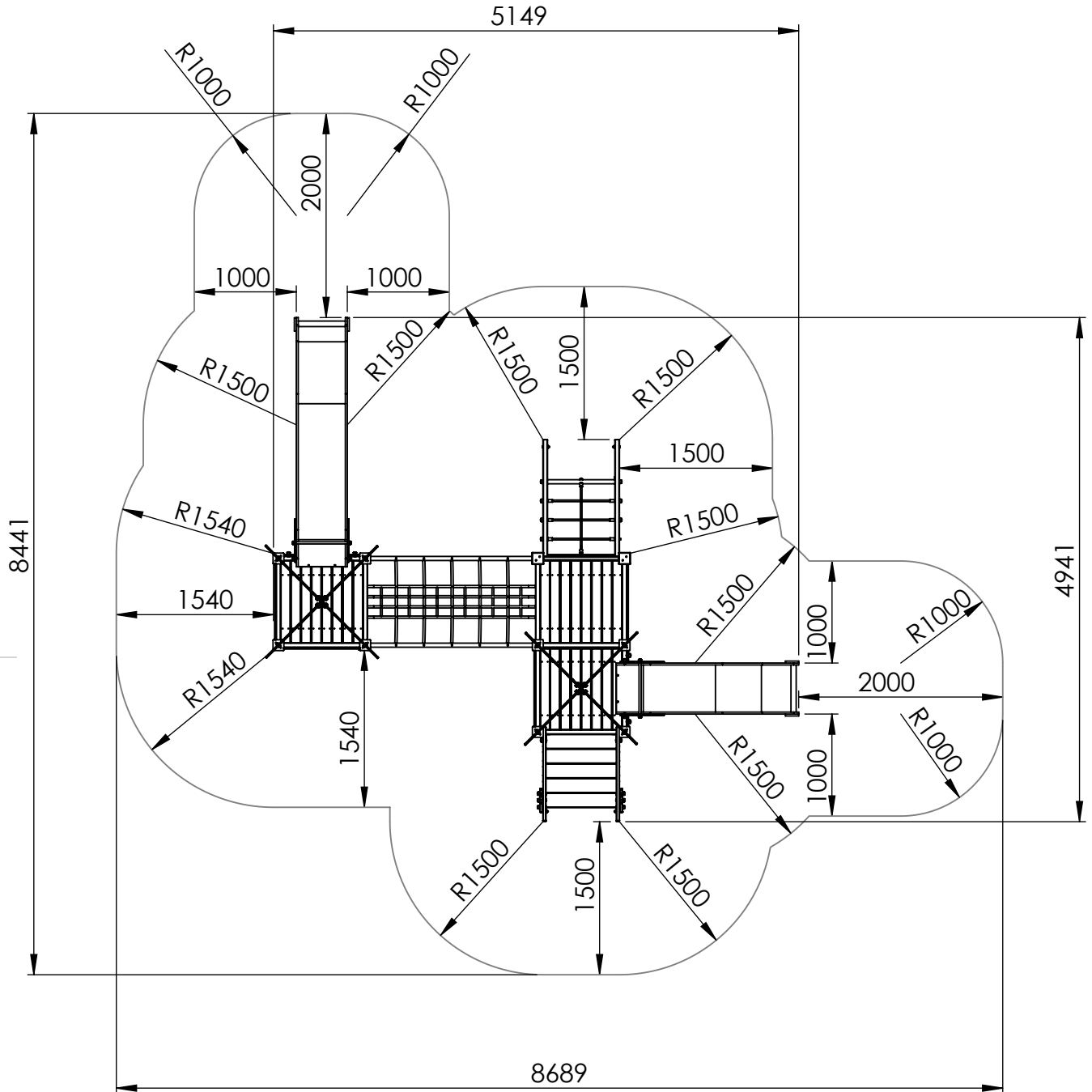
A

B

C

D

E



UNLESS OTHERWISE SPECIFIED:
DIMENSIONS ARE IN MILLIMETERS
WEIGHT ARE IN KILOGRAMM

PART NUMBER / DWG NO.:

LM102

	NAME	SIGNATURE	DATE	REVISION
DRAWN	M.Rebase		08.05.2017	
APPV'D				

DESCRIPTION:

Play Centre JOHANNA



Tiptaptap OÜ

Tiptaptap OÜ
Veetorni 9,
Jüri alevik, Rae vald,
75301 Harjumaa

MATERIAL:

wood, metal, plastic

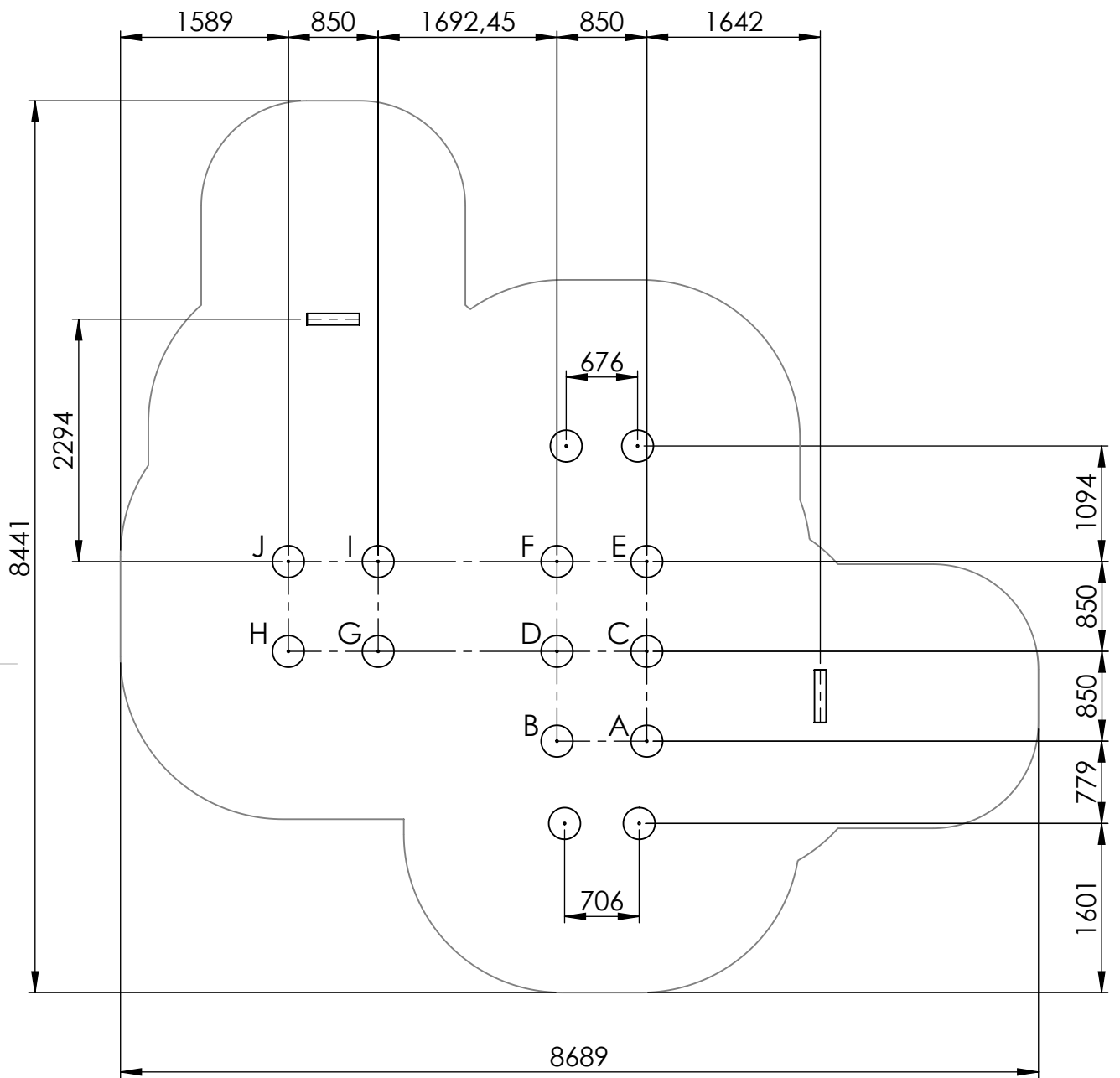
A4

WEIGHT:

SCALE: 1:60

SHEET 2 OF 17

foundation



UNLESS OTHERWISE SPECIFIED:
DIMENSIONS ARE IN MILLIMETERS
WEIGHT ARE IN KILOGRAMM

PART NUMBER / DWG NO.:

LM102

	NAME	SIGNATURE	DATE	REVISION
DRAWN	M.Rebase		08.05.2017	
APPV'D				

DESCRIPTION:

Play Centre JOHANNA



Tiptap OÜ

Tiptap OÜ
Veetorni 9,
Jüri alevik, Rae vald,
75301 Harjumaa

MATERIAL:

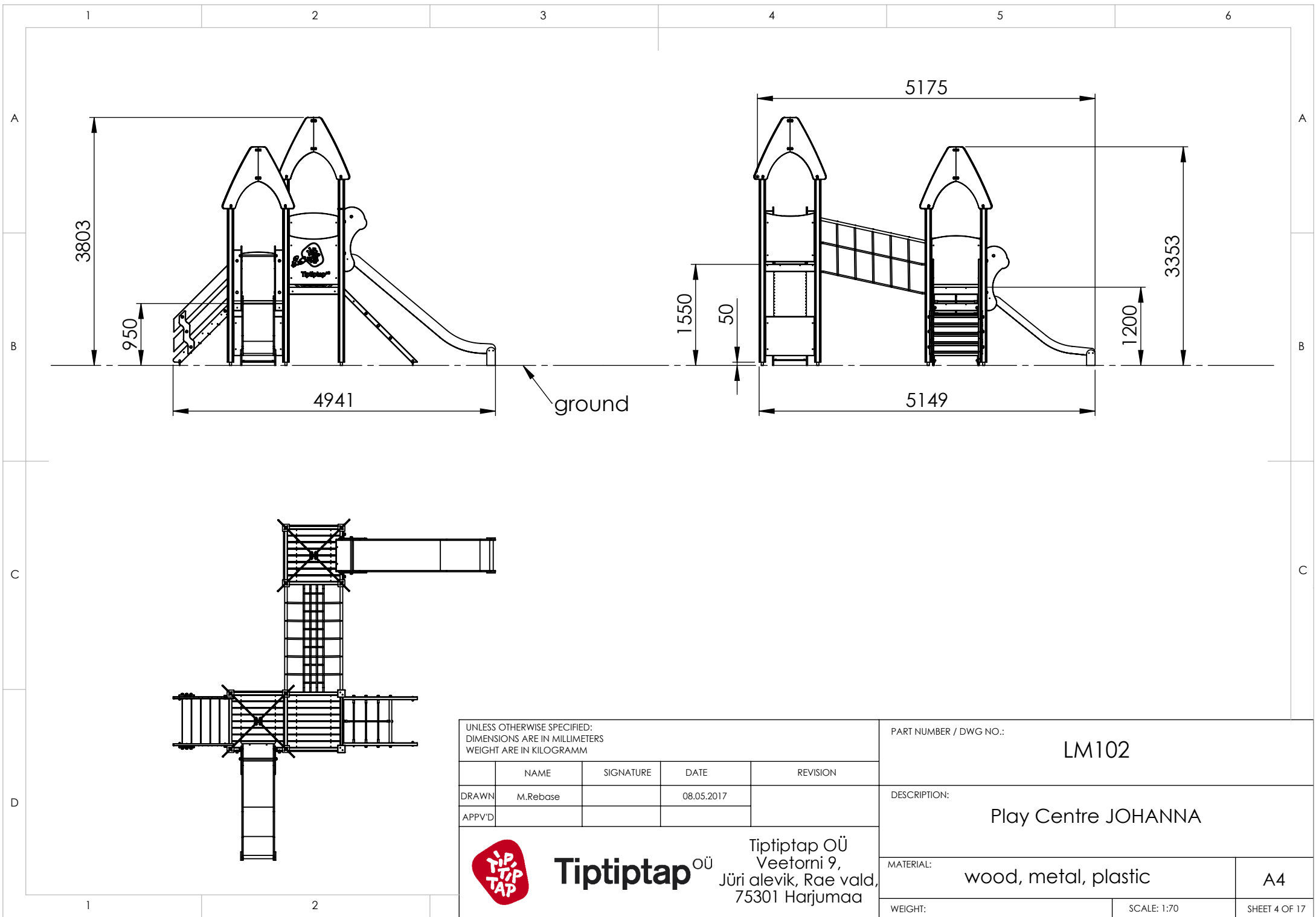
wood, metal, plastic

A4

WEIGHT:

SCALE: 1:60

SHEET 3 OF 17



UNLESS OTHERWISE SPECIFIED:
 DIMENSIONS ARE IN MILLIMETERS
 WEIGHT ARE IN KILOGRAMM

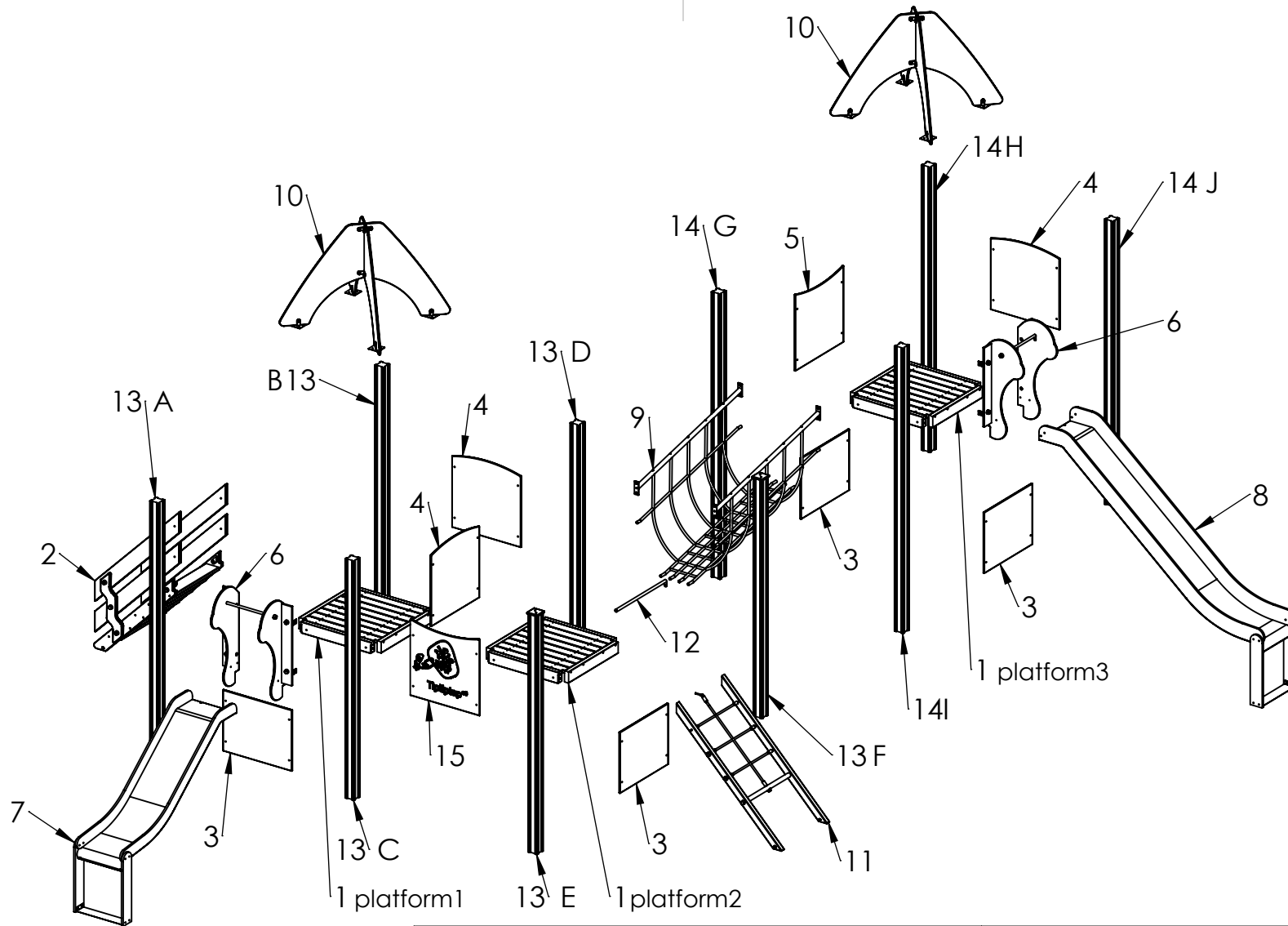
	NAME	SIGNATURE	DATE	REVISION
DRAWN	M.Rebase		08.05.2017	
APPV'D				


Tiptaptap OÜ
 Tiptaptap OÜ
 Veetorni 9,
 Jüri alevik, Rae vald,
 75301 Harjumaa

PART NUMBER / DWG NO.:
LM102

DESCRIPTION:
Play Centre JOHANNA

MATERIAL:	wood, metal, plastic	A4
WEIGHT:		SCALE: 1:70
		SHEET 4 OF 17



UNLESS OTHERWISE SPECIFIED:
 DIMENSIONS ARE IN MILLIMETERS
 WEIGHT ARE IN KILOGRAMM

PART NUMBER / DWG NO.: **LM102**

	NAME	SIGNATURE	DATE	REVISION
DRAWN	M.Rebase		08.05.2017	
APPV'D				

DESCRIPTION:
Play Centre JOHANNA



Tiptaptap OÜ
 Veetorni 9,
 Jüri alevik, Rae vald,
 75301 Harjumaa

MATERIAL:	wood, metal, plastic	A4
WEIGHT:		SCALE: 1:55
		SHEET 5 OF 17

ITEM NO.	PART NUMBER	DESCRIPTION	QTY.
1	platform	laminated wood, metal	3
2	stairs	laminated wood	1
3	panel 750x600	plywood	4
4	panel 750x750	plywood	3
5	panel 750x750	plywood	1
6	slide guard block	plywood, metal, plastic	2
7	slide h_950	stainless steel, PE plastic	1
8	slide h_1550	stainless steel, PE plastic	1
9	inclined rope bridge	PP covered steel wire	1
10	roof	plywood	2
11	inclined climbing net	wood, PP covered steel wire	1
12	guardrail ϕ 25x770	painted steel	1
13	post 98x98x2350	laminated wood	6
14	post 98x98x2800	laminated wood	4
15	panel 750x750 with logo	15mm plywood	1

UNLESS OTHERWISE SPECIFIED:
DIMENSIONS ARE IN MILLIMETERS
WEIGHT ARE IN KILOGRAMM

PART NUMBER / DWG NO.:

LM102

	NAME	SIGNATURE	DATE	REVISION
DRAWN	M.Rebase		08.05.2017	
APPV'D				

DESCRIPTION:

Play Centre JOHANNA



Tiptaptap OÜ

Tiptaptap OÜ
Veetorni 9,
Jüri alevik, Rae vald,
75301 Harjumaa

MATERIAL:

wood, metal, plastic

A4

WEIGHT:

SCALE: 1:55

SHEET 6 OF 17

A

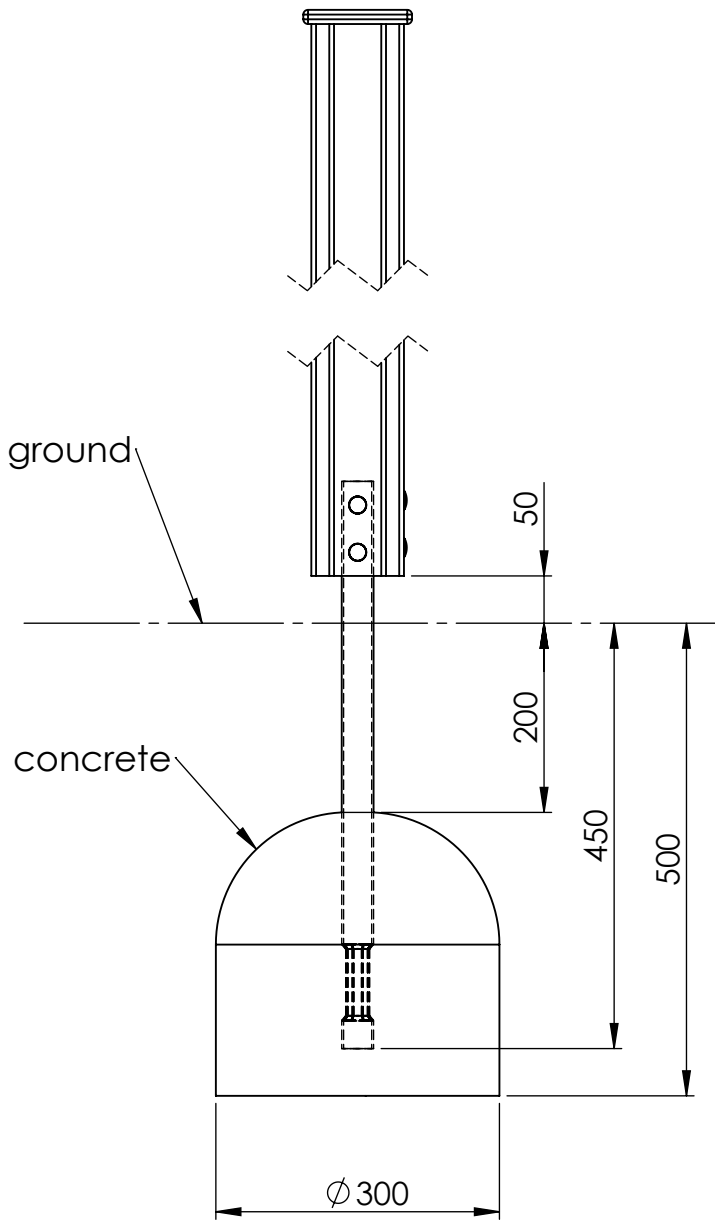
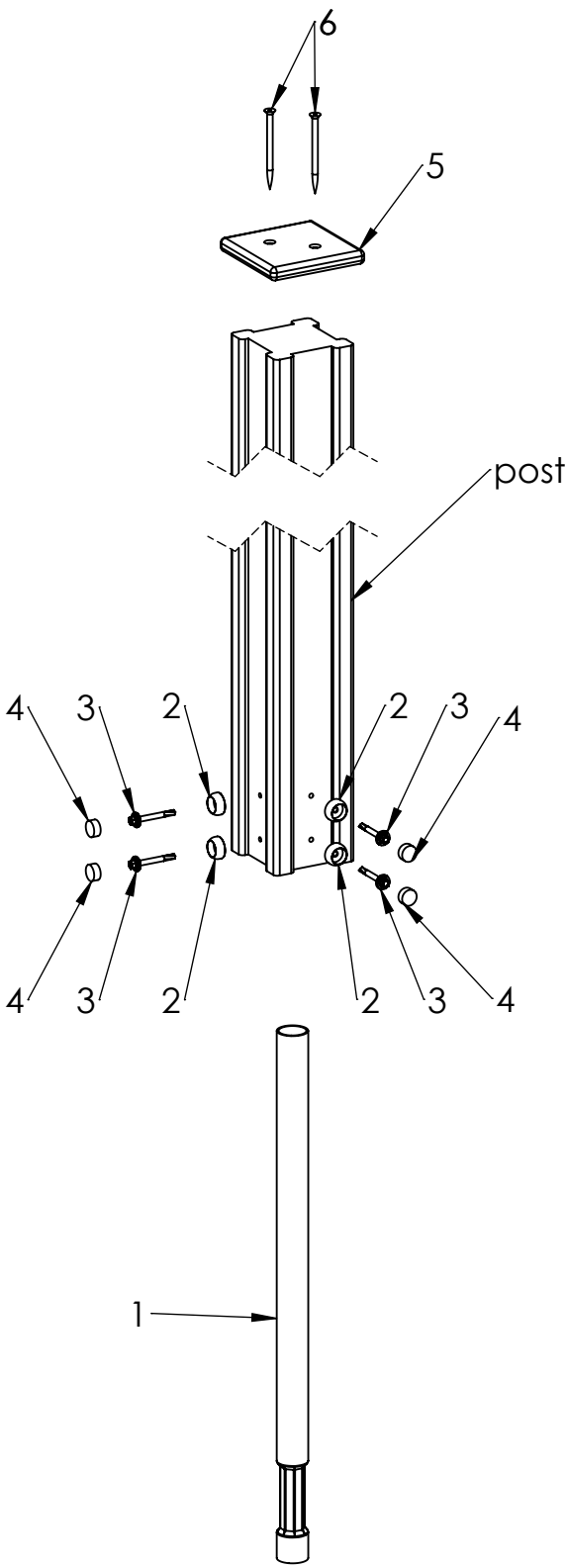
B

C

D

E

F



ITEM NO.	PART NUMBER
1	metal ground fixing L_600
2	nut cover M6
3	screw 5,5x50 DIN7504K
4	nut cover cap M6
5	plastic cap 115x115
6	wood screw 6 x 90

UNLESS OTHERWISE SPECIFIED:
 DIMENSIONS ARE IN MILLIMETERS
 WEIGHT ARE IN KILOGRAMM

	NAME	SIGNATURE	DATE	REVISION
DRAWN	M.Rebase		08.05.2017	
APPV'D				

PART NUMBER / DWG NO.:
LM102

DESCRIPTION:
**Play Centre JOHANNA
 connecting metal ground fixing to post**



Tiptaptap OÜ

Tiptaptap OÜ
 Veetorni 9,
 Jüri alevik, Rae vald,
 75301 Harjumaa

MATERIAL: wood, metal, plastic

A4

WEIGHT: SCALE: 1:8 SHEET 7 OF 17

A

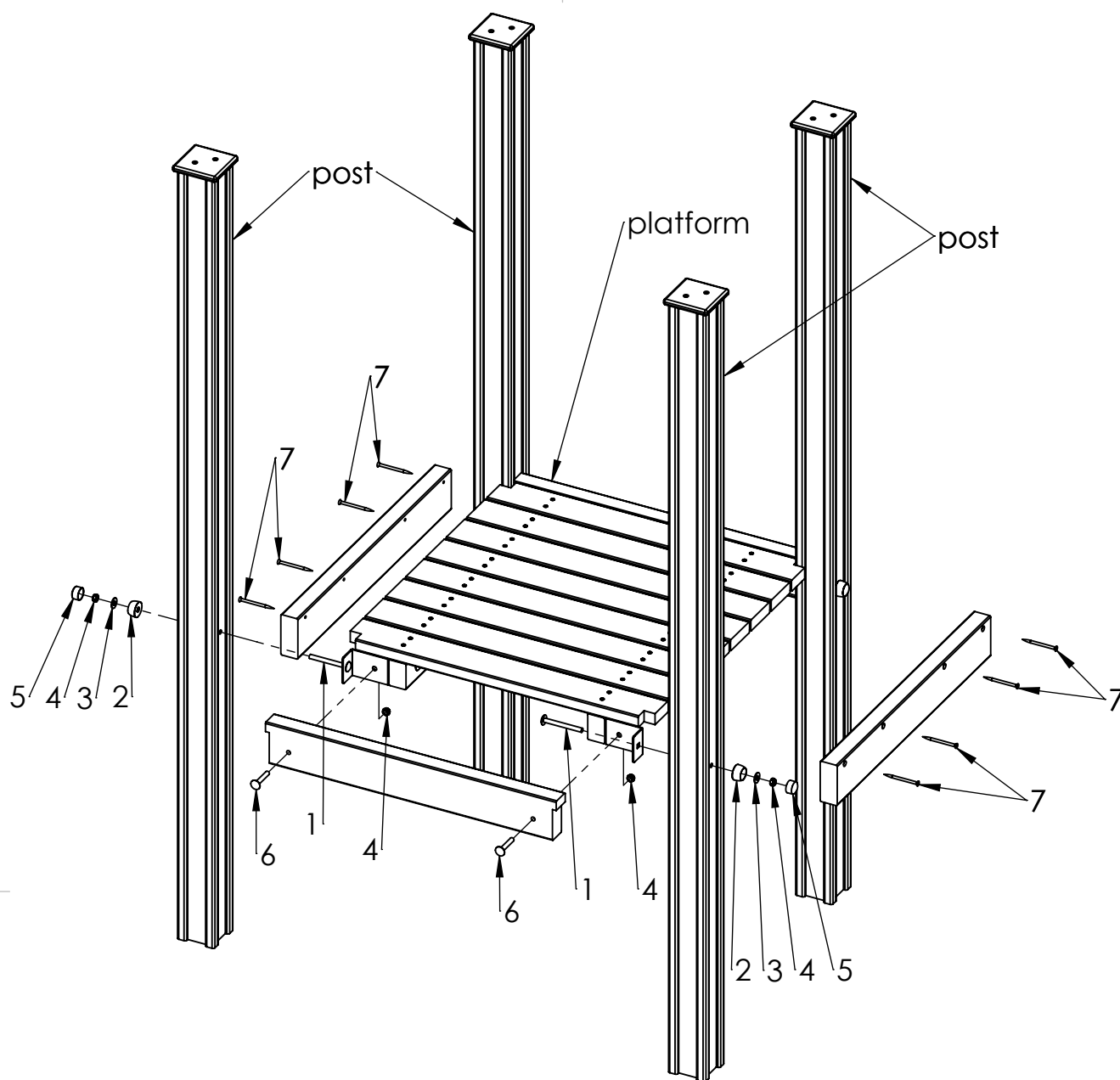
B

C

D

E

F



ITEM NO.	PART NUMBER
1	bolt M10x100 DIN603
2	nut cover M12
3	washer M10 DIN7349
4	nut M10 DIN985
5	nut cover cap M12
6	bolt M10x60 DIN603
7	wood screw 6 x 90

UNLESS OTHERWISE SPECIFIED:
DIMENSIONS ARE IN MILLIMETERS
WEIGHT ARE IN KILOGRAMM

PART NUMBER / DWG NO.:

LM102

	NAME	SIGNATURE	DATE	REVISION
DRAWN	M.Rebase		08.05.2017	
APPV'D				

DESCRIPTION:

Play Centre JOHANNA
connecting platform to post

MATERIAL:

wood, metal, plastic

A4

WEIGHT:

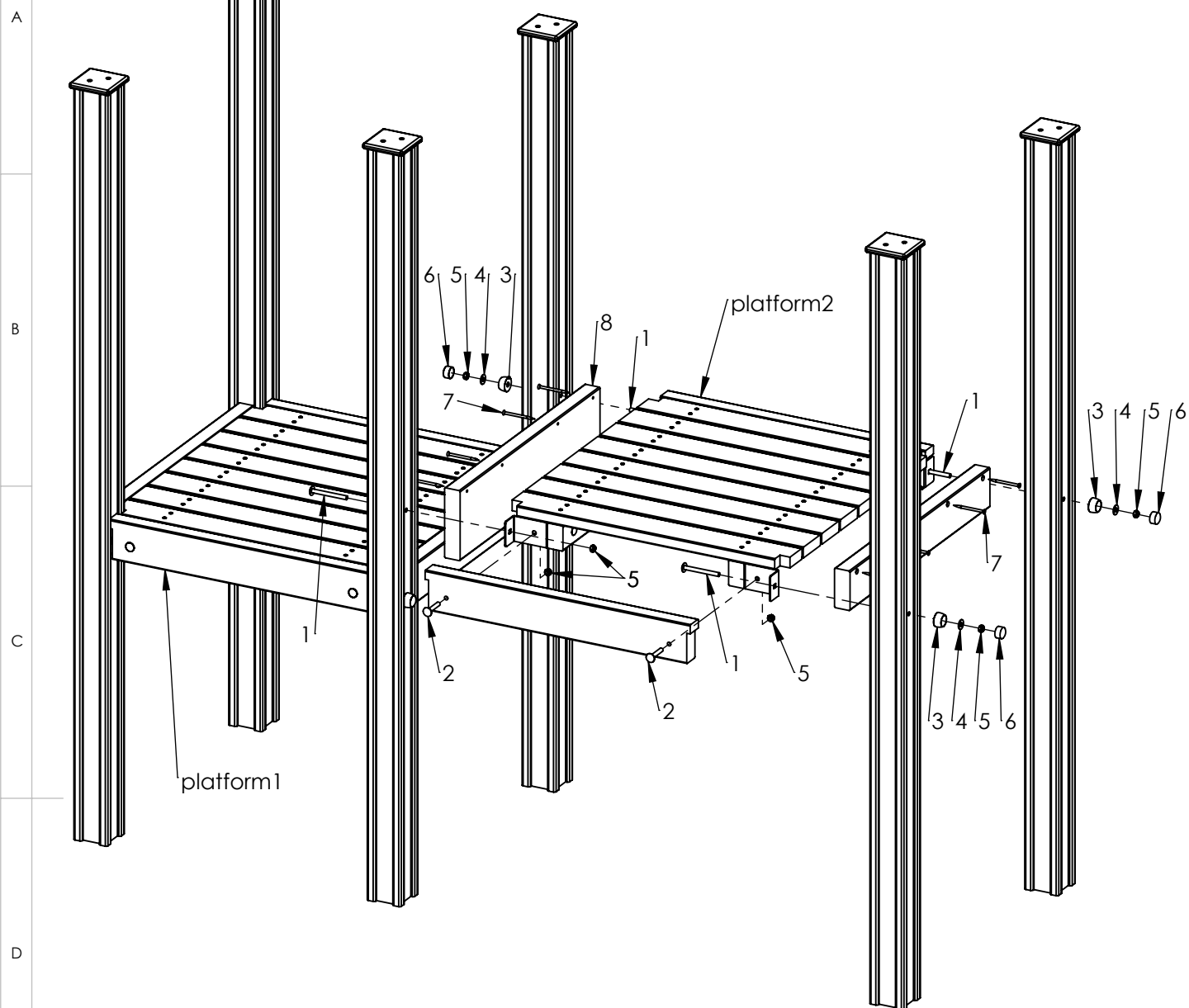
SCALE: 1:15

SHEET 8 OF 17



Tiptiptap OÜ

Tiptiptap OÜ
Veetorni 9,
Jüri alevik, Rae vald,
75301 Harjumaa



ITEM NO.	PART NUMBER
1	bolt M10x100 DIN603
2	bolt M10x60 DIN603
3	nut cover M12
4	washer M10 DIN7349
5	nut M10 DIN985
6	nut cover cap M12
7	wood screw 6 x 90
8	board 45x195x768

UNLESS OTHERWISE SPECIFIED:
DIMENSIONS ARE IN MILLIMETERS
WEIGHT ARE IN KILOGRAMM

PART NUMBER / DWG NO.:

LM102

	NAME	SIGNATURE	DATE	REVISION
DRAWN	M.Rebase		08.05.2017	
APPV'D				

DESCRIPTION:

Play Centre JOHANNA
connecting two platforms

MATERIAL:

wood, metal, plastic

A4

WEIGHT:

SCALE: 1:16

SHEET 9 OF 17



Tiptap OÜ

Tiptap OÜ
Veetorni 9,
Jüri alevik, Rae vald,
75301 Harjumaa

A

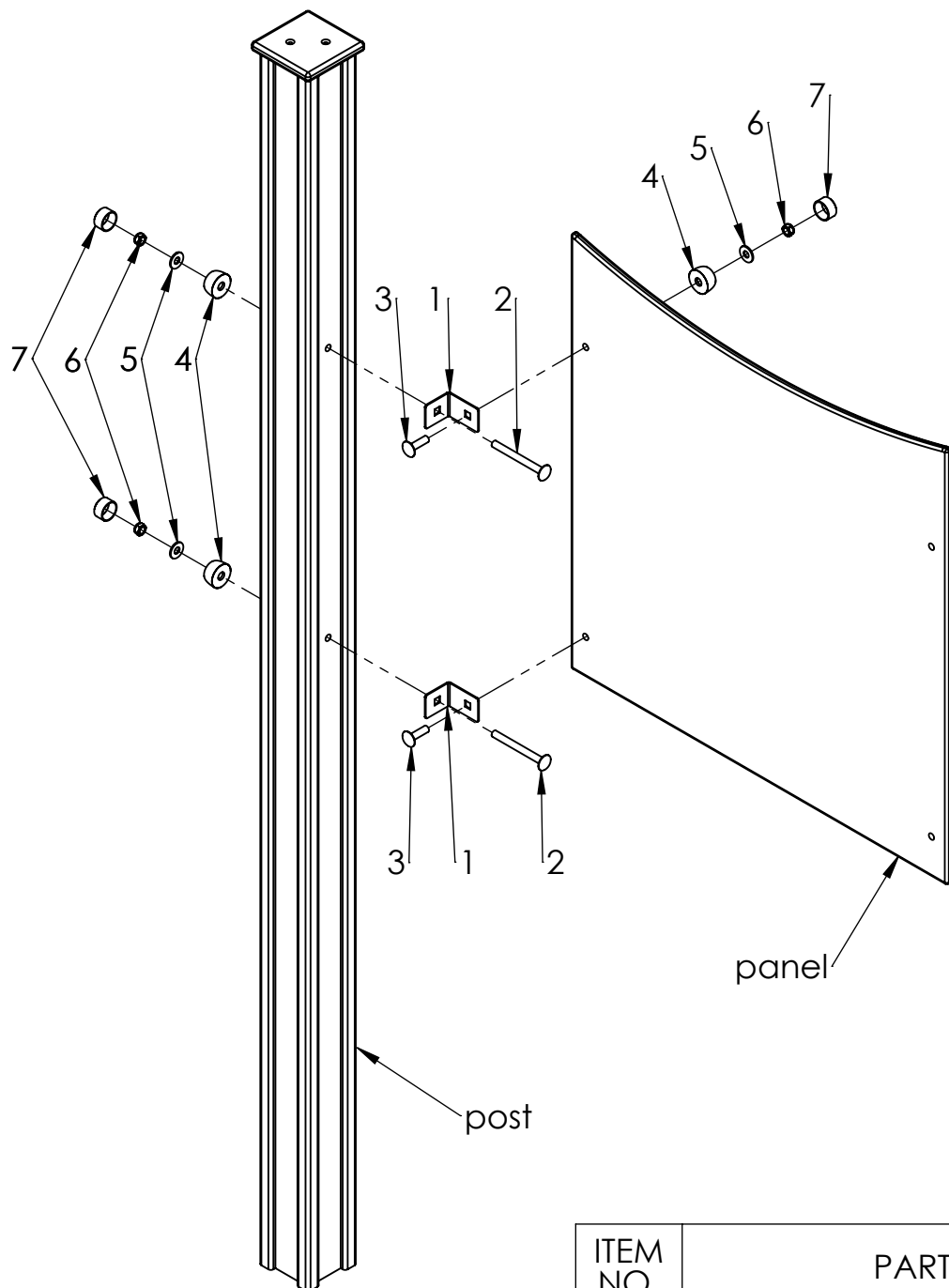
B

C

D

E

F



ITEM NO.	PART NUMBER
1	corner 48x60
2	bolt M10x100 DIN603
3	bolt M10x35 DIN603
4	nut cover M12
5	washer M10 DIN7349
6	nut M10 DIN985
7	nut cover cap M12

UNLESS OTHERWISE SPECIFIED:
DIMENSIONS ARE IN MILLIMETERS
WEIGHT ARE IN KILOGRAMM

PART NUMBER / DWG NO.:

LM102

	NAME	SIGNATURE	DATE	REVISION
DRAWN	M.Rebase		08.05.2017	
APPV'D				

DESCRIPTION:

Play Centre JOHANNA
connecting panel to post

MATERIAL:

wood, metal, plastic

A4

WEIGHT:

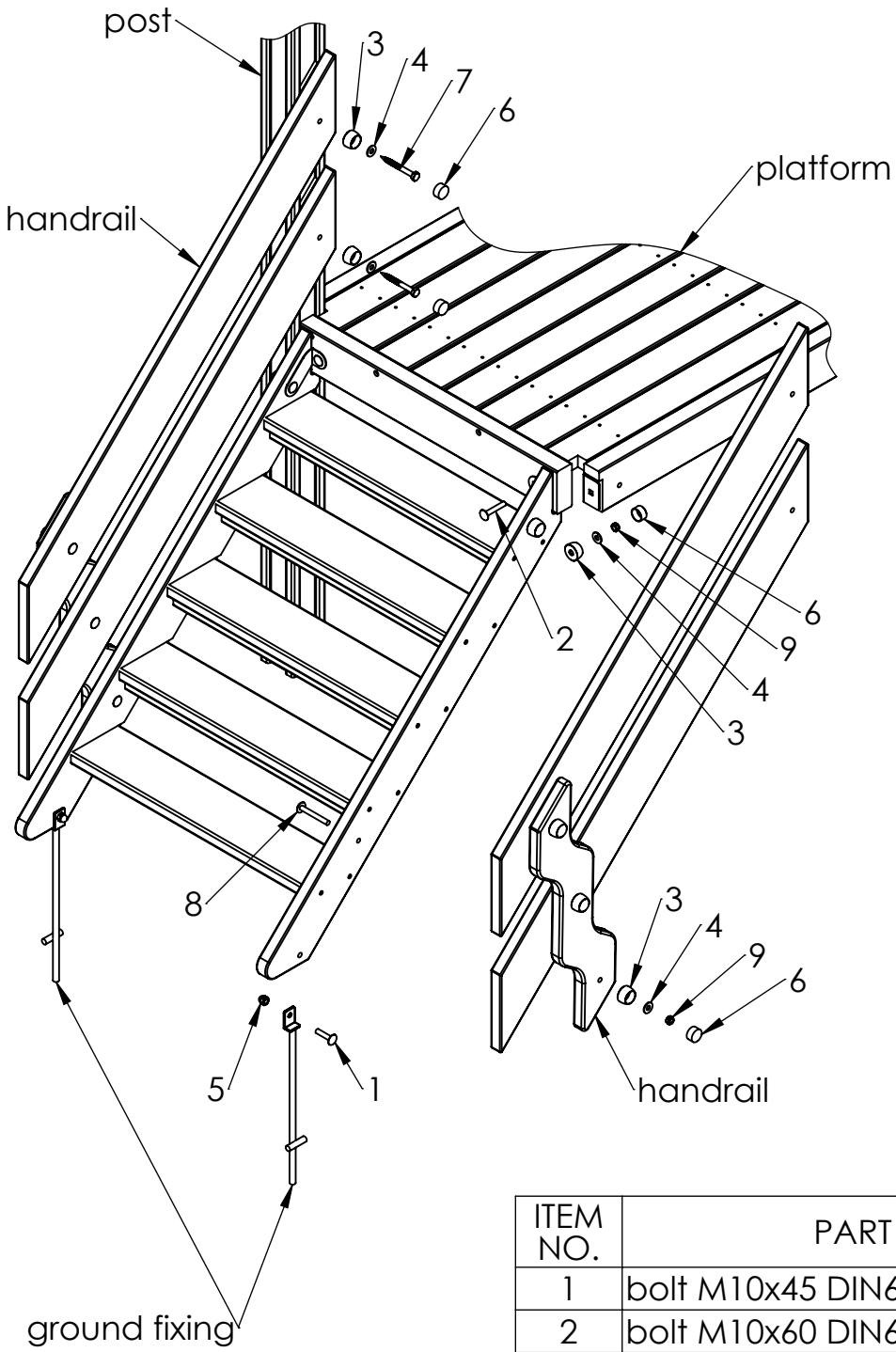
SCALE: 1:10

SHEET 10 OF 17



Tiptap OÜ

Tiptap OÜ
Veetorni 9,
Jüri alevik, Rae vald,
75301 Harjumaa



ITEM NO.	PART NUMBER
1	bolt M10x45 DIN603
2	bolt M10x60 DIN603
3	nut cover M12
4	washer M10 DIN7349
5	domed cap nut M10 DIN986
6	nut cover cap M12
7	wood screw DIN571 10x100
8	bolt M10x80 DIN603
9	nut M10 DIN985

UNLESS OTHERWISE SPECIFIED:
DIMENSIONS ARE IN MILLIMETERS
WEIGHT ARE IN KILOGRAMM

PART NUMBER / DWG NO.:

LM102

	NAME	SIGNATURE	DATE	REVISION
DRAWN	M.Rebase		08.05.2017	
APPV'D				

DESCRIPTION:

Play Centre JOHANNA
connecting stairs to post and platform



Tiptaptap OÜ

Tiptaptap OÜ
Veetorni 9,
Jüri alevik, Rae vald,
75301 Harjumaa

MATERIAL:

wood, metal, plastic

A4

WEIGHT:

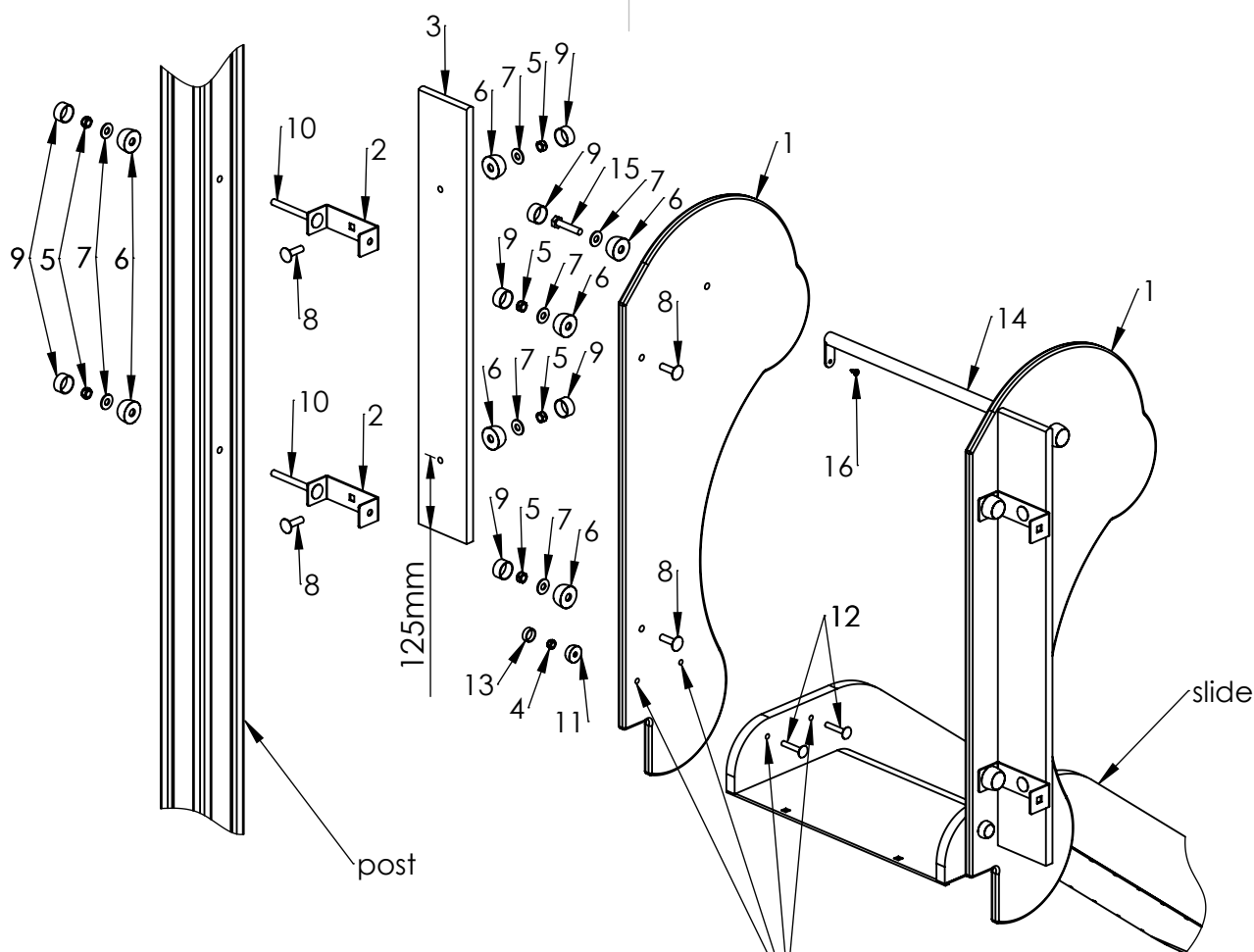
SCALE: 1:15

SHEET 11 OF 17

A

B

C



It is important to drill 8,5mm holes through side panel and slide.

D

E

ITEM NO.	PART NUMBER
1	slide side panel
2	slide side panel fixing 40x120
3	side panel 110x780
4	nut M8 DIN985
5	nut M10 DIN985
6	nut cover M12
7	washer M10 DIN7349
8	bolt M10x35 DIN603
9	nut cover cap M12
10	bolt M10x100 DIN603
11	nut cover M8
12	bolt M8x45 DIN603
13	nut cover cap M8
14	slide guardrail
15	bolt M10x50 DIN931
16	wood screw 4,8x13

UNLESS OTHERWISE SPECIFIED:
DIMENSIONS ARE IN MILLIMETERS
WEIGHT ARE IN KILOGRAMM

PART NUMBER / DWG NO.:

LM102

	NAME	SIGNATURE	DATE	REVISION
DRAWN	M.Rebase		08.05.2017	
APPV'D				

DESCRIPTION:

Play Centre JOHANNA
connecting slide guard block to post

MATERIAL:

wood, metal, plastic

A4

WEIGHT:

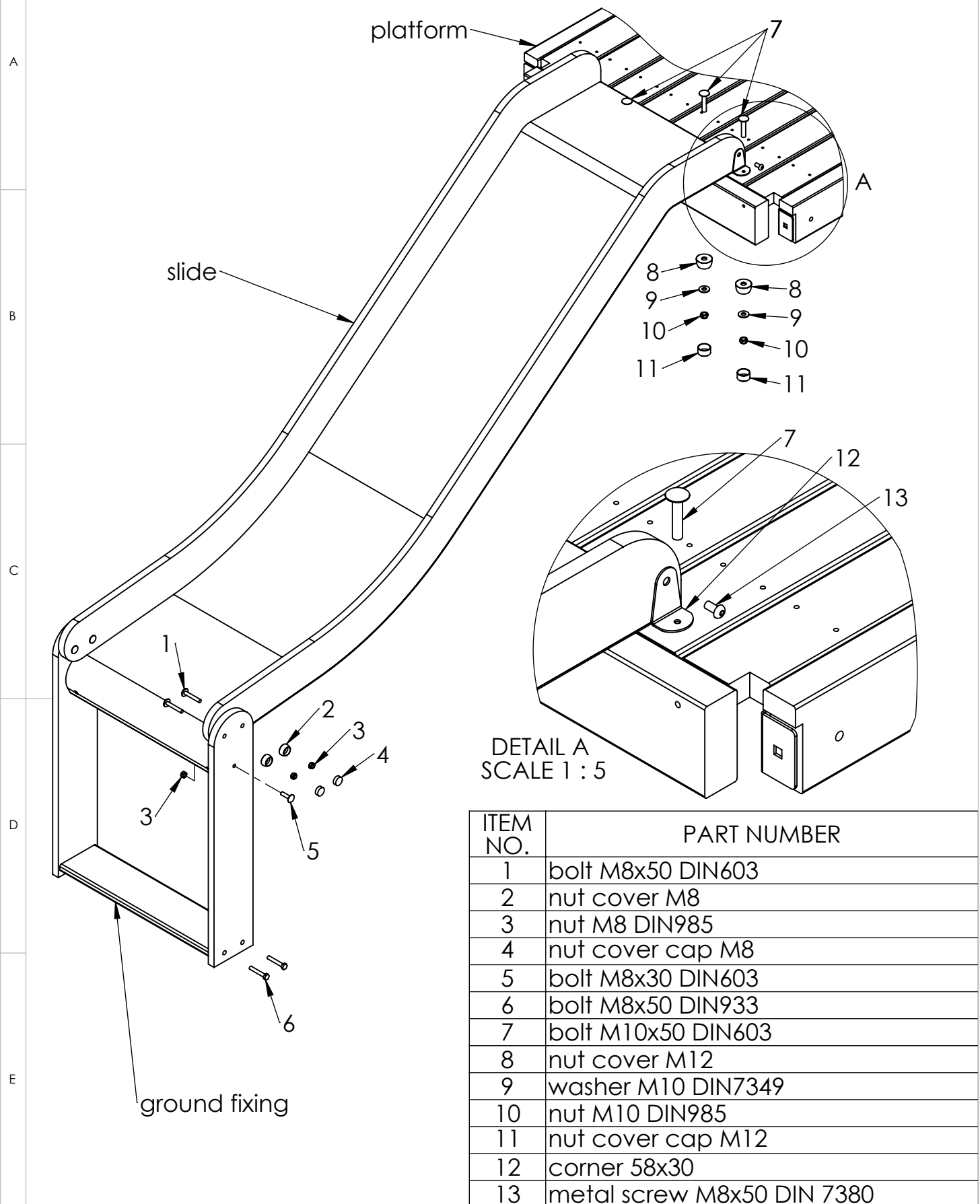
SCALE: 1:12

SHEET 12 OF 17



Tiptap OÜ

Tiptap OÜ
Veetorni 9,
Jüri alevik, Rae vald,
75301 Harjumaa



DETAIL A
SCALE 1 : 5

ITEM NO.	PART NUMBER
1	bolt M8x50 DIN603
2	nut cover M8
3	nut M8 DIN985
4	nut cover cap M8
5	bolt M8x30 DIN603
6	bolt M8x50 DIN933
7	bolt M10x50 DIN603
8	nut cover M12
9	washer M10 DIN7349
10	nut M10 DIN985
11	nut cover cap M12
12	corner 58x30
13	metal screw M8x50 DIN 7380

UNLESS OTHERWISE SPECIFIED:
DIMENSIONS ARE IN MILLIMETERS
WEIGHT ARE IN KILOGRAMM

	NAME	SIGNATURE	DATE	REVISION
DRAWN	M.Rebase		08.05.2017	
APPV'D				

PART NUMBER / DWG NO.:

LM102

DESCRIPTION:

Play Centre JOHANNA
connecting slide to platform

MATERIAL:

wood, metal, plastic

A4

WEIGHT:

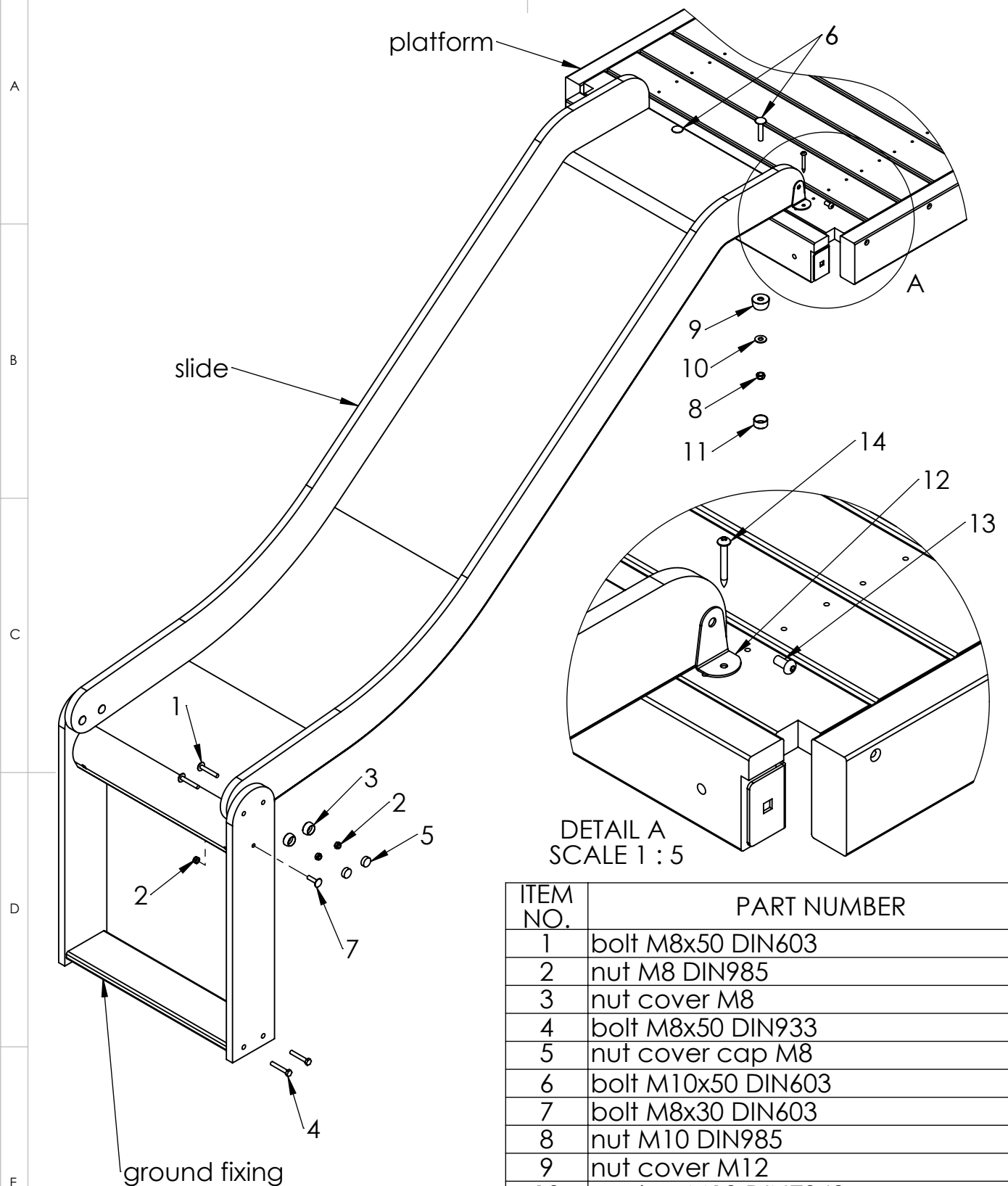
SCALE: 1:12

SHEET 13 OF 17



Tiptap OÜ

Tiptap OÜ
Veetorni 9,
Jüri alevik, Rae vald,
75301 Harjumaa



DETAIL A
SCALE 1 : 5

ITEM NO.	PART NUMBER
1	bolt M8x50 DIN603
2	nut M8 DIN985
3	nut cover M8
4	bolt M8x50 DIN933
5	nut cover cap M8
6	bolt M10x50 DIN603
7	bolt M8x30 DIN603
8	nut M10 DIN985
9	nut cover M12
10	washer M10 DIN7349
11	nut cover cap M12
12	corner 58x30
13	metal screw M8x50 DIN 7380
14	screw 4,8x40

UNLESS OTHERWISE SPECIFIED:
DIMENSIONS ARE IN MILLIMETERS
WEIGHT ARE IN KILOGRAMM

PART NUMBER / DWG NO.:

LM102

	NAME	SIGNATURE	DATE	REVISION
DRAWN	M.Rebase		08.05.2017	
APPV'D				

DESCRIPTION:

Play Centre JOHANNA
connecting slide to platform

MATERIAL:

wood, metal, plastic

A4

WEIGHT:

SCALE: 1:12

SHEET 14 OF 17

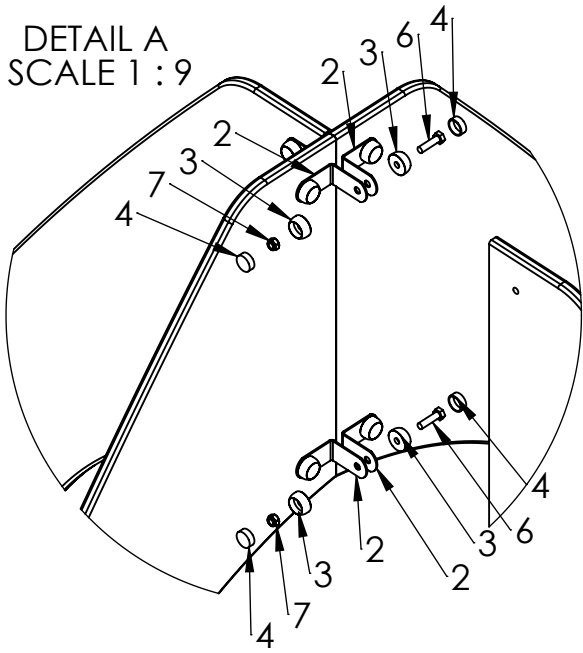


Tiptiptap OÜ

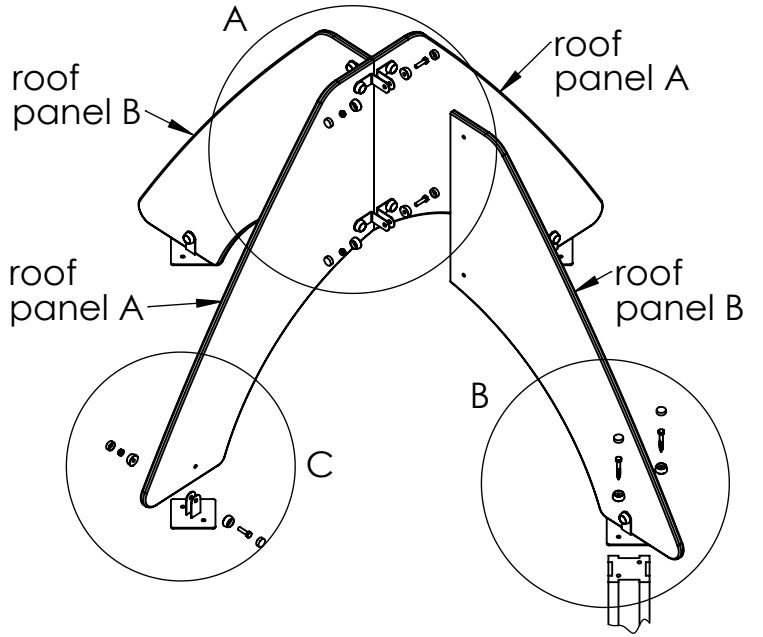
Tiptiptap OÜ
Veetorni 9,
Jüri alevik, Rae vald,
75301 Harjumaa

A

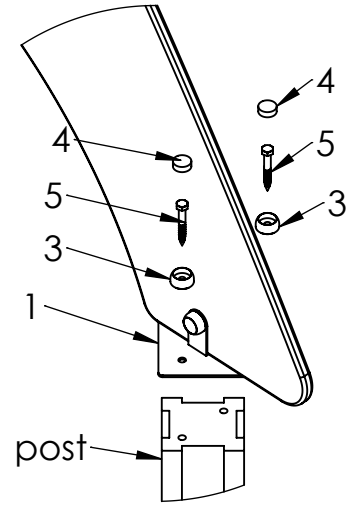
DETAIL A
SCALE 1 : 9



B

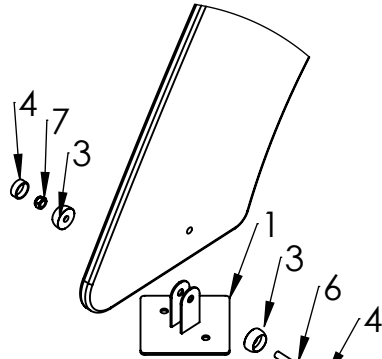


C



DETAIL B
SCALE 1 : 9

D



DETAIL C
SCALE 1 : 9

E

ITEM NO.	PART NUMBER
1	roof fixture
2	corner 60x60
3	nut cover M8
4	nut cover cap M8
5	wood screw 8x60 DIN571
6	bolt M8x30 DIN933
7	nut M8 DIN985

F

UNLESS OTHERWISE SPECIFIED:
DIMENSIONS ARE IN MILLIMETERS
WEIGHT ARE IN KILOGRAMM

NAME	SIGNATURE	DATE	REVISION
DRAWN M.Rebase		08.05.2017	
APPV'D			

Tiptiptap OÜ
Veetorni 9,
Jüri alevik, Rae vald,
75301 Harjumaa

PART NUMBER / DWG NO.:
LM102

DESCRIPTION:
**Play Centre JOHANNA
connecting roof to post**

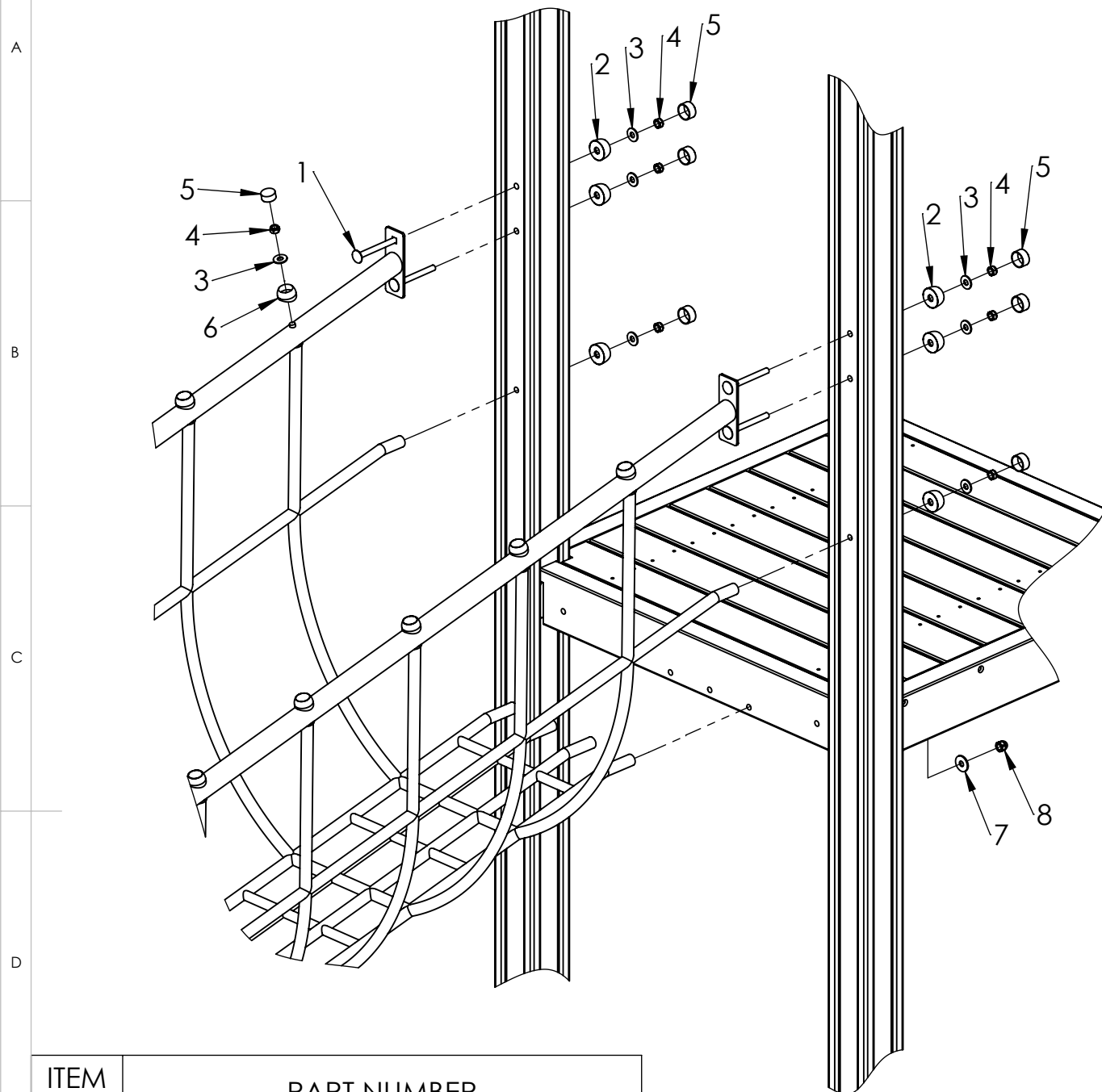
MATERIAL:
wood, metal, plastic

WEIGHT:

SCALE: 1:18

SHEET 15 OF 17





ITEM NO.	PART NUMBER
1	bolt M10x100 DIN603
2	nut cover M12
3	washer M10 DIN7349
4	nut M10 DIN985
5	nut cover cap M12
6	nut cover M12 for beam
7	washer M10 DIN9021
8	domed cap nut M10 DIN986

UNLESS OTHERWISE SPECIFIED:
DIMENSIONS ARE IN MILLIMETERS
WEIGHT ARE IN KILOGRAMM

PART NUMBER / DWG NO.:

LM102

	NAME	SIGNATURE	DATE	REVISION
DRAWN	M.Rebase		08.05.2017	
APPV'D				

DESCRIPTION:

Play Centre JOHANNA
connecting bridge to post and platform

MATERIAL:

wood, metal, plastic

A4

WEIGHT:

SCALE: 1:11

SHEET 16 OF 17



Tiptiptap OÜ

Tiptiptap OÜ
Veetorni 9,
Jüri alevik, Rae vald,
75301 Harjumaa

A

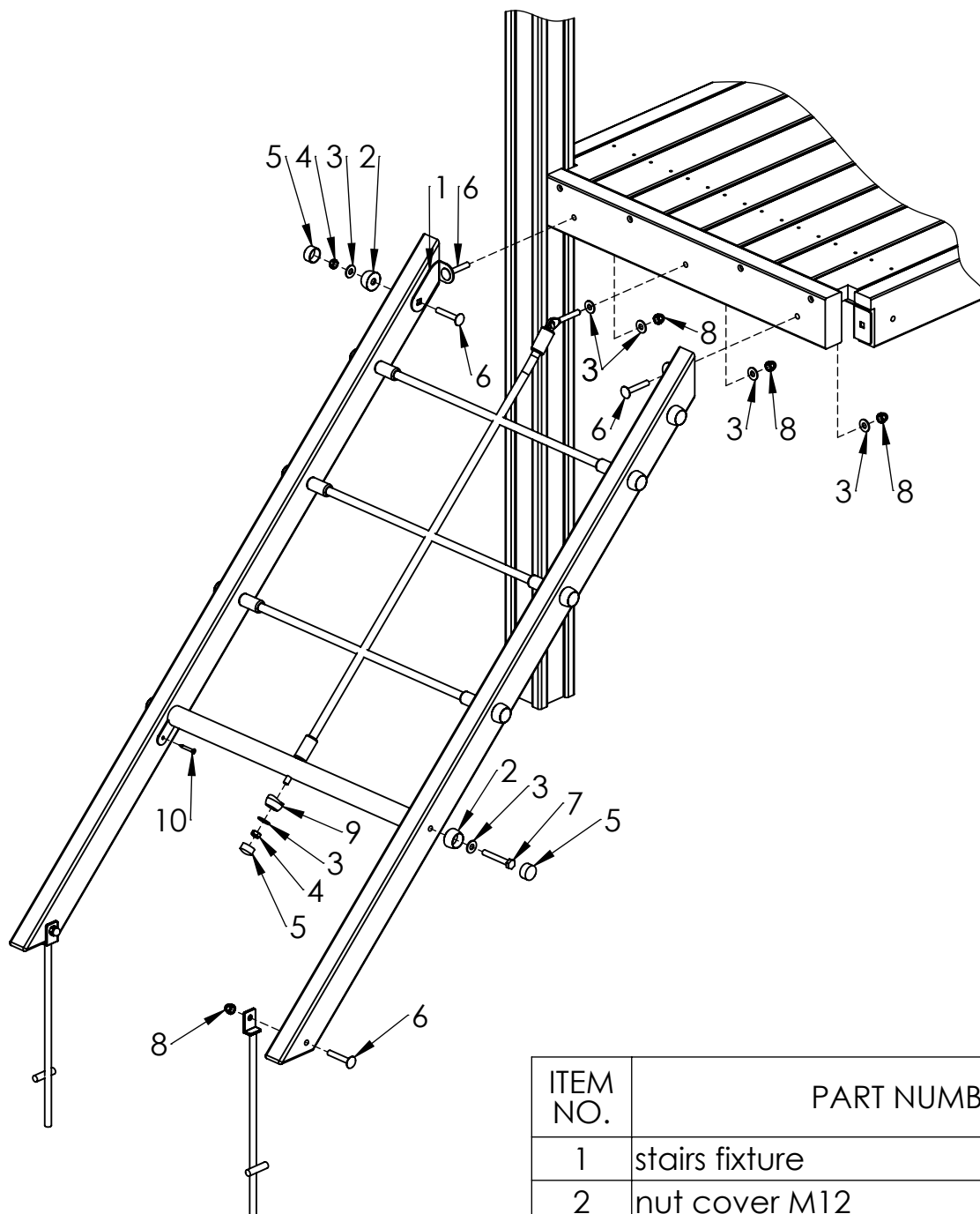
B

C

D

E

F



ITEM NO.	PART NUMBER
1	stairs fixture
2	nut cover M12
3	washer M10 DIN7349
4	nut M10 DIN985
5	nut cover cap M12
6	bolt M10x60 DIN603
7	bolt M10x70 DIN931
8	domed cap nut M10 DIN986
9	nut cover M12 for beam
10	woodscrew 5 x 40

UNLESS OTHERWISE SPECIFIED:
DIMENSIONS ARE IN MILLIMETERS
WEIGHT ARE IN KILOGRAMM

	NAME	SIGNATURE	DATE	REVISION
DRAWN	M.Rebase		08.05.2017	
APPV'D				

PART NUMBER / DWG NO.:

LM102

DESCRIPTION:

Play Centre JOHANNA
connecting inclined rope ladder to platform

MATERIAL:

wood, metal, plastic

A4

WEIGHT:

SCALE: 1:13

SHEET 17 OF 17



Tiptiptap OÜ

Tiptiptap OÜ
Veetorni 9,
Jüri alevik, Rae vald,
75301 Harjumaa