

A

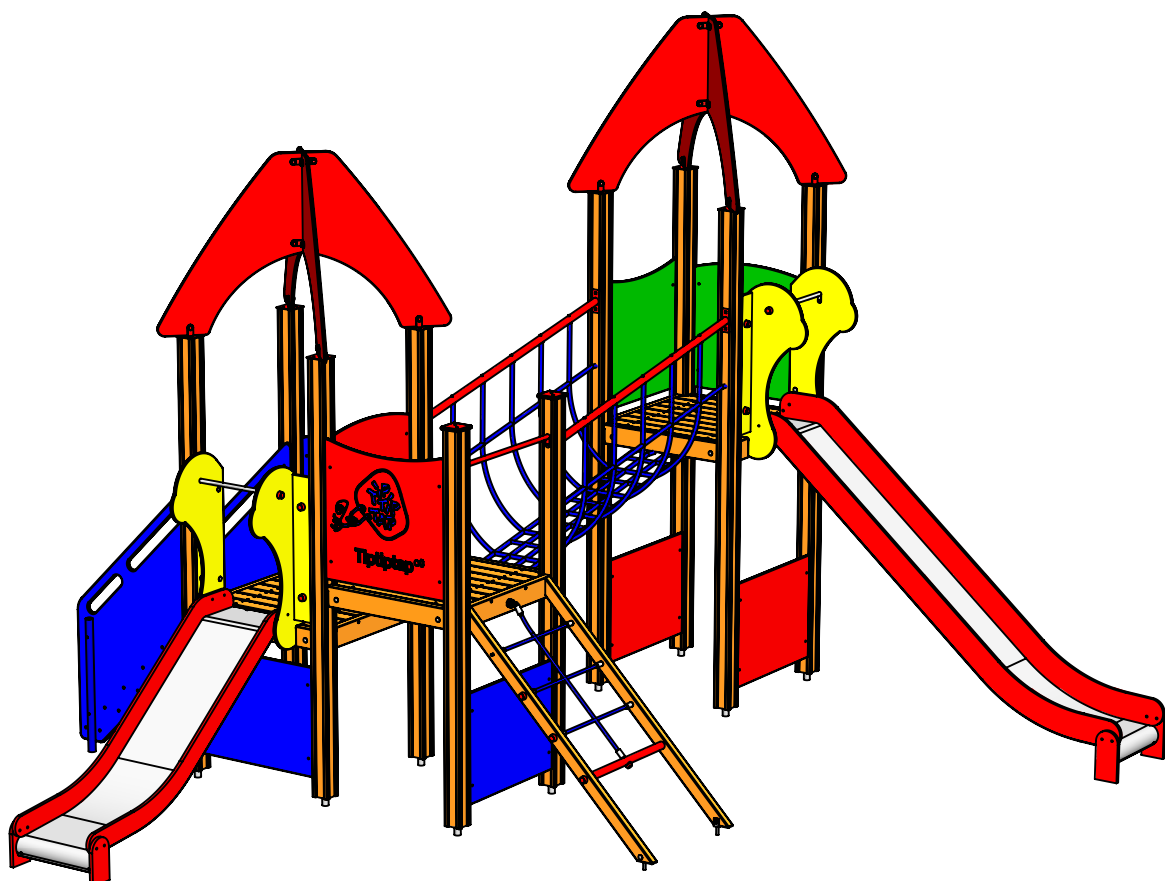
B

C

D

E

F



UNLESS OTHERWISE SPECIFIED:  
DIMENSIONS ARE IN MILLIMETERS  
WEIGHT ARE IN KILOGRAMM

PART NUMBER / DWG NO.:

LM102

	NAME	SIGNATURE	DATE	REVISION
DRAWN	R.Fedotov		14.09.2016	
APPV'D				

DESCRIPTION:

Play Centre JOHANNA



**Tiptaptap** OÜ

Tiptaptap OÜ  
Veetorni 9,  
Jüri alevik, Rae vald,  
75301 Harjumaa

MATERIAL:

wood, metal, plastic

A4

WEIGHT:

SCALE: 1:35

SHEET 1 OF 16

# safety area

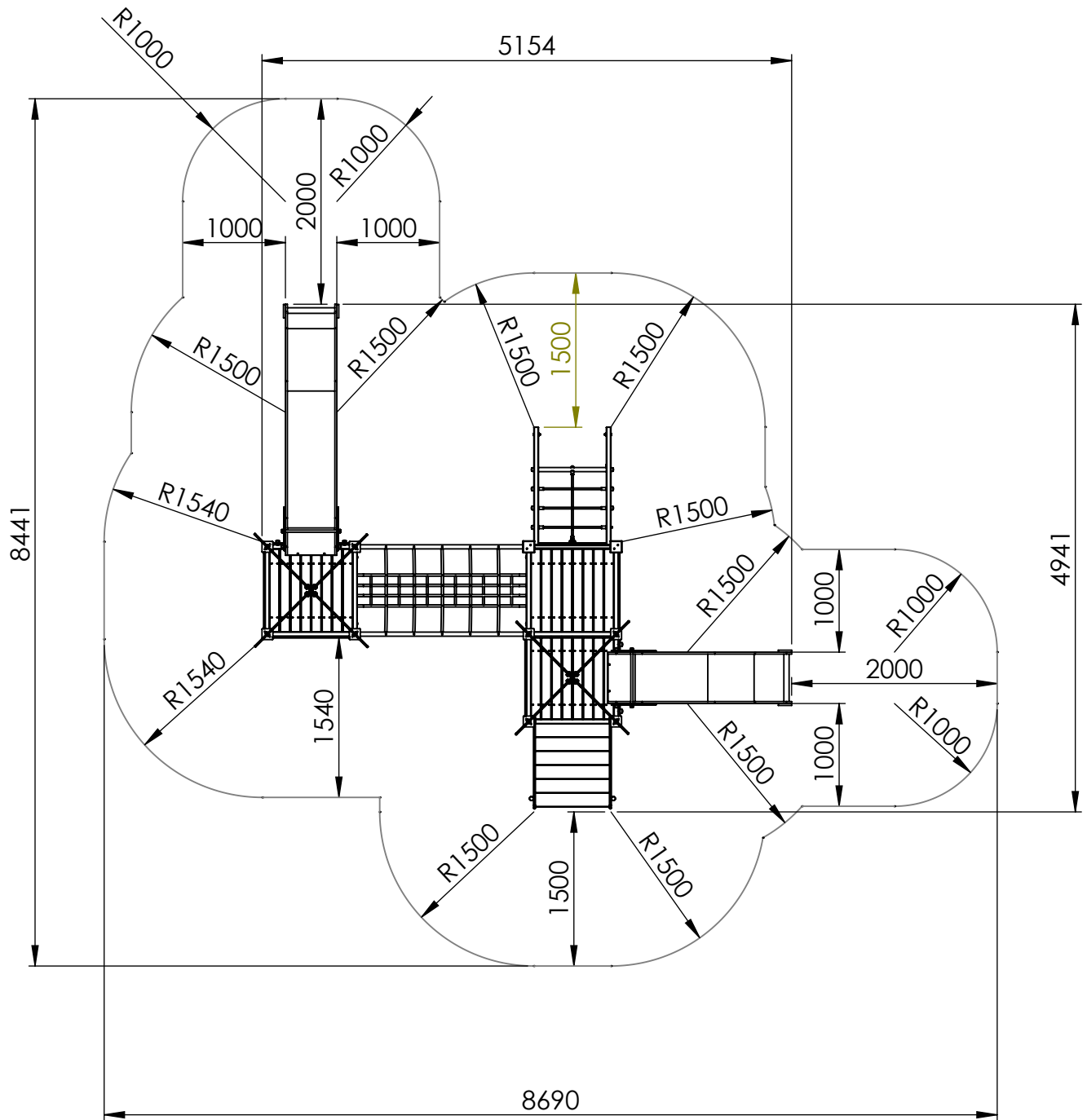
A

B

C

D

E



UNLESS OTHERWISE SPECIFIED:  
DIMENSIONS ARE IN MILLIMETERS  
WEIGHT ARE IN KILOGRAMM

PART NUMBER / DWG NO.:

LM102

	NAME	SIGNATURE	DATE	REVISION
DRAWN	R.Fedotov		14.09.2016	
APPV'D				

DESCRIPTION:

Play Centre JOHANNA



**Tiptaptap** OÜ

Tiptaptap OÜ  
Veetorni 9,  
Jüri alevik, Rae vald,  
75301 Harjumaa

MATERIAL:

wood, metal, plastic

A4

WEIGHT:

SCALE: 1:60

SHEET 2 OF 16

# foundation

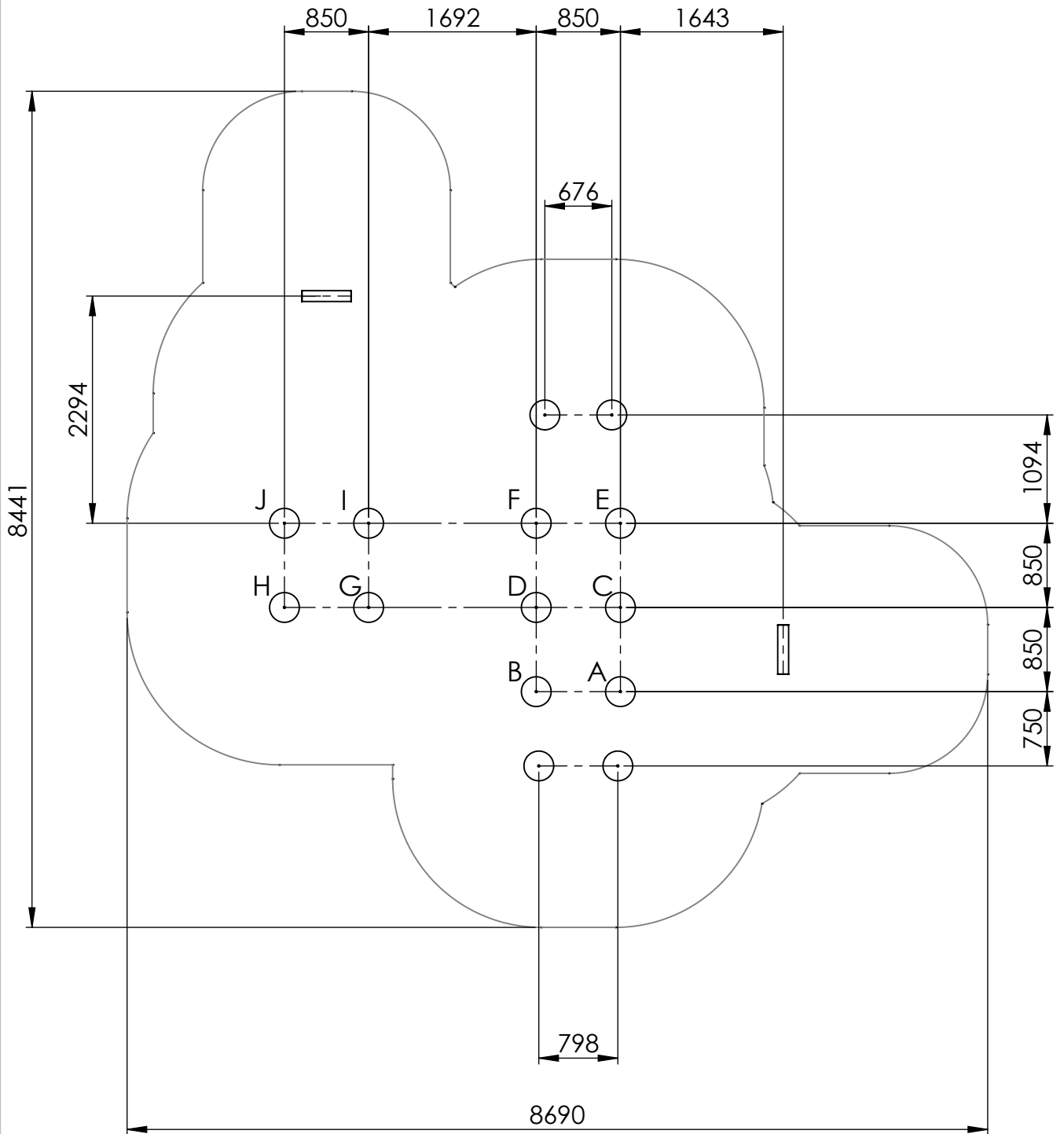
A

B

C

D

E



UNLESS OTHERWISE SPECIFIED:  
DIMENSIONS ARE IN MILLIMETERS  
WEIGHT ARE IN KILOGRAMM

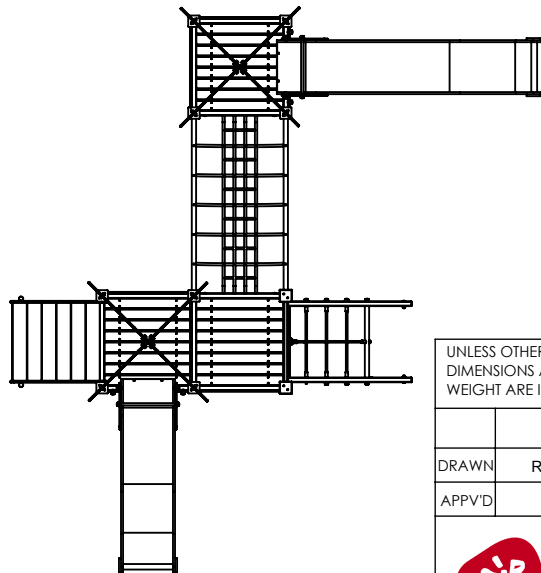
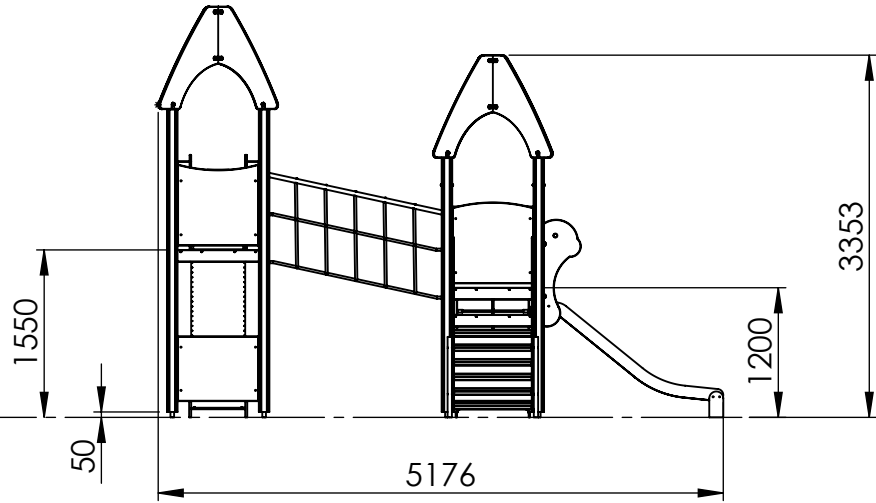
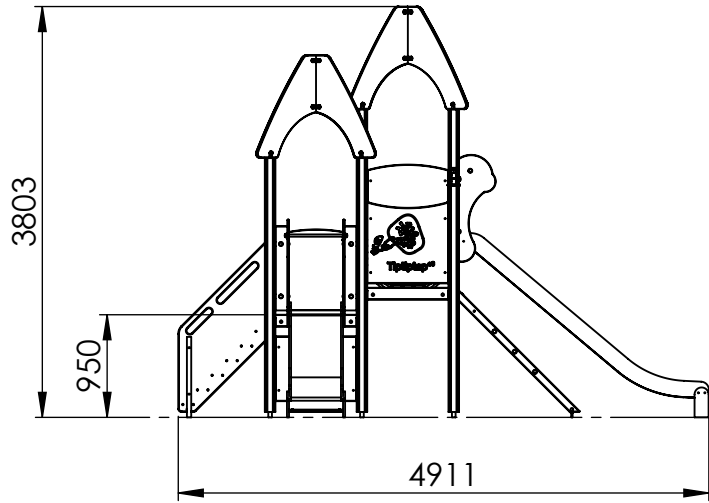
PART NUMBER / DWG NO.:  
**LM102**

	NAME	SIGNATURE	DATE	REVISION
DRAWN	R.Fedotov		14.09.2016	
APPV'D				

DESCRIPTION:  
**Play Centre JOHANNA**


**Tiptaptap** OÜ  
 Veetorni 9,  
 Jüri alevik, Rae vald,  
 75301 Harjumaa

MATERIAL:	wood, metal, plastic	A4
WEIGHT:		SCALE: 1:60
		SHEET 3 OF 16



UNLESS OTHERWISE SPECIFIED:  
DIMENSIONS ARE IN MILLIMETERS  
WEIGHT ARE IN KILOGRAMM

	NAME	SIGNATURE	DATE	REVISION
DRAWN	R.Fedotov		14.09.2016	
APPV'D				



**Tiptaptap** OÜ

Tiptaptap OÜ  
Veetorni 9,  
Jüri alevik, Rae vald,  
75301 Harjumaa

PART NUMBER / DWG NO.:

LM102

DESCRIPTION:

Play Centre JOHANNA

MATERIAL:

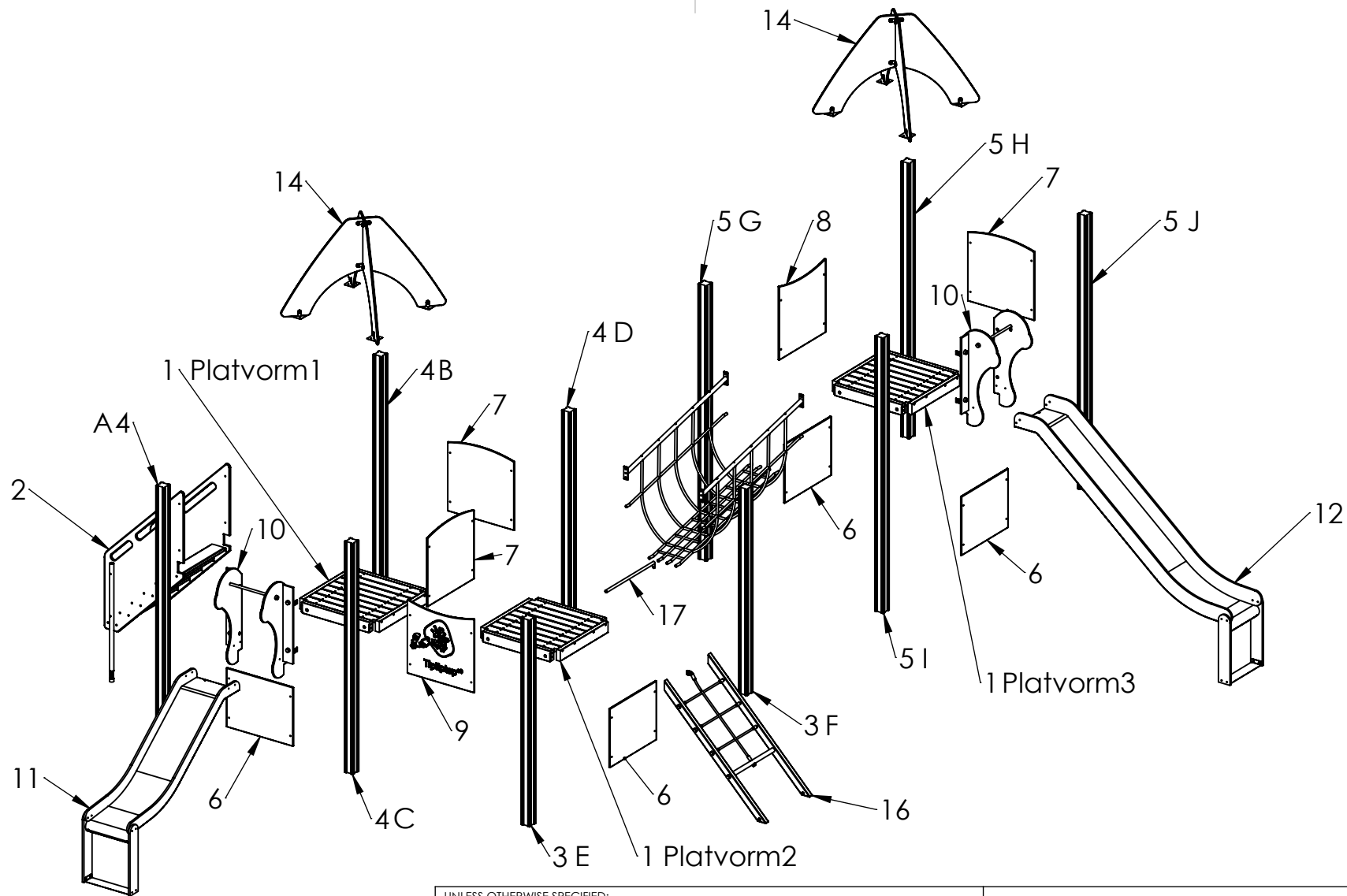
wood, metal, plastic

A4

WEIGHT:

SCALE: 1:70

SHEET 4 OF 16



UNLESS OTHERWISE SPECIFIED:  
 DIMENSIONS ARE IN MILLIMETERS  
 WEIGHT ARE IN KILOGRAMM

	NAME	SIGNATURE	DATE	REVISION
DRAWN	R.Fedotov		14.09.2016	
APPV'D				

PART NUMBER / DWG NO.:  
**LM102**

DESCRIPTION:  
**Play Centre JOHANNA**




**Tiptaptap** OÜ  
 Tiptaptap OÜ  
 Veetorni 9,  
 Jüri alevik, Rae vald,  
 75301 Harjumaa

MATERIAL:	wood, metal, plastic	A4
WEIGHT:	SCALE: 1:55	SHEET 5 OF 16

	1	2	3	4
	ITEM NO.	PART NUMBER	DESCRIPTION	QTY.
A	1	Platform	laminated wood, metal	3
	2	Stairs_950 MF	laminated wood, PE plastic	1
	3	post 98x98x2100	Painted aluminium	2
	4	post 98x98x2350	Painted aluminium	4
	5	post 98x98x2800	Painted aluminium	4
B	6	panel 750x600	PE plastic	4
	7	panel 750x750	PE plastic	3
	8	panel 750x750	PE plastic	1
	9	panel 750x750 with logo	PE plastic	1
	10	slide guard block	metal, PE plastic	2
	11	slide h_950	stainless steel, PE plastic	1
C	12	slide h_1550	stainless steel, PE plastic	1
	13	inclined rope bridge	PP covered steel wire	1
	14	roof	PE plastic	2
	16	inclined climbing net	wood, PP covered steel wire	1
	17	guardrail $\phi$ 25x770	painted steel	1

D				
E				

F	UNLESS OTHERWISE SPECIFIED: DIMENSIONS ARE IN MILLIMETERS WEIGHT ARE IN KILOGRAMM				PART NUMBER / DWG NO.:		LM102	
		NAME	SIGNATURE	DATE	REVISION	DESCRIPTION:		
	DRAWN	R.Fedotov		14.09.2016		Play Centre JOHANNA		
	APPV'D					MATERIAL:		
 <b>Tiptiptap</b> OÜ Tiptiptap OÜ Veetorni 9, Jüri alevik, Rae vald, 75301 Harjumaa					wood, metal, plastic		A4	
WEIGHT:						SCALE: 1:55	SHEET 6 OF 16	

A

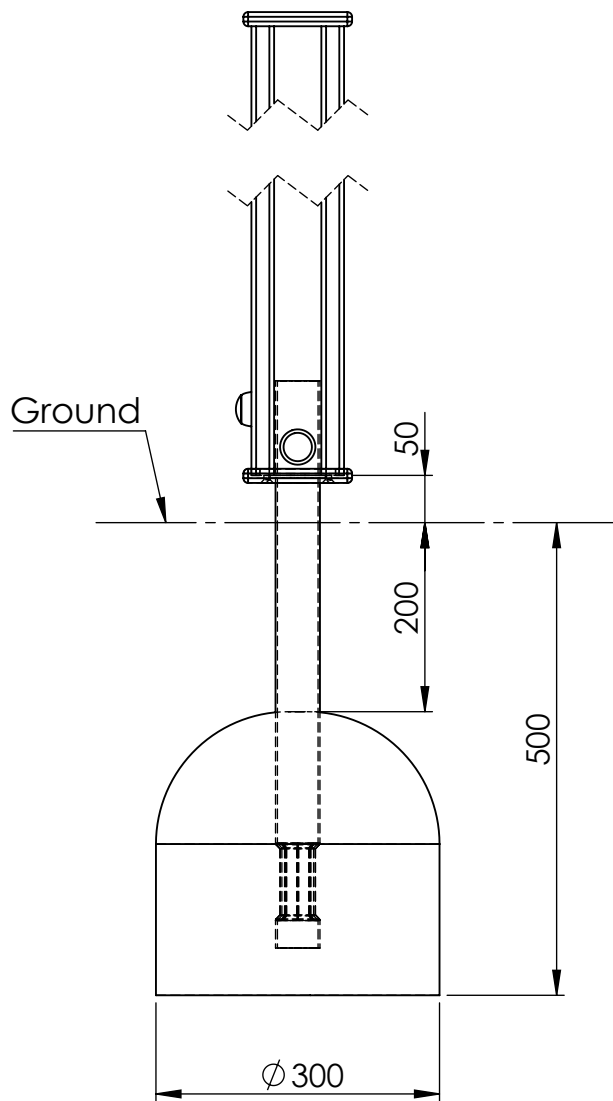
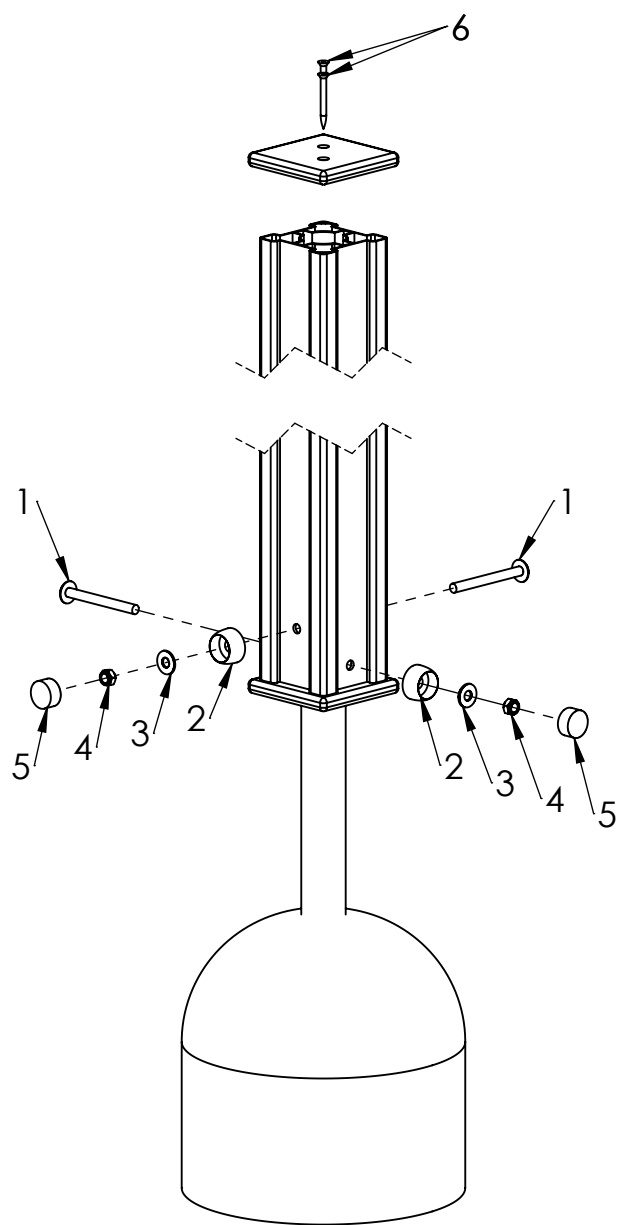
B

C

D

E

F



ITEM NO.	PART NUMBER
1	bolt DIN603 M10x100
2	nut cover M12
3	Washer M10 DIN7349
4	nut DIN985 M10
5	nut cover cap M12
6	woodscrew 6x60

UNLESS OTHERWISE SPECIFIED:  
 DIMENSIONS ARE IN MILLIMETERS  
 WEIGHT ARE IN KILOGRAMM

	NAME	SIGNATURE	DATE	REVISION
DRAWN	R.Fedotov		14.09.2016	
APPV'D				

PART NUMBER / DWG NO.:  
**LM102**

DESCRIPTION:  
**Play Centre JOHANNA**  
**connecting metal ground fixing to aluminium post**



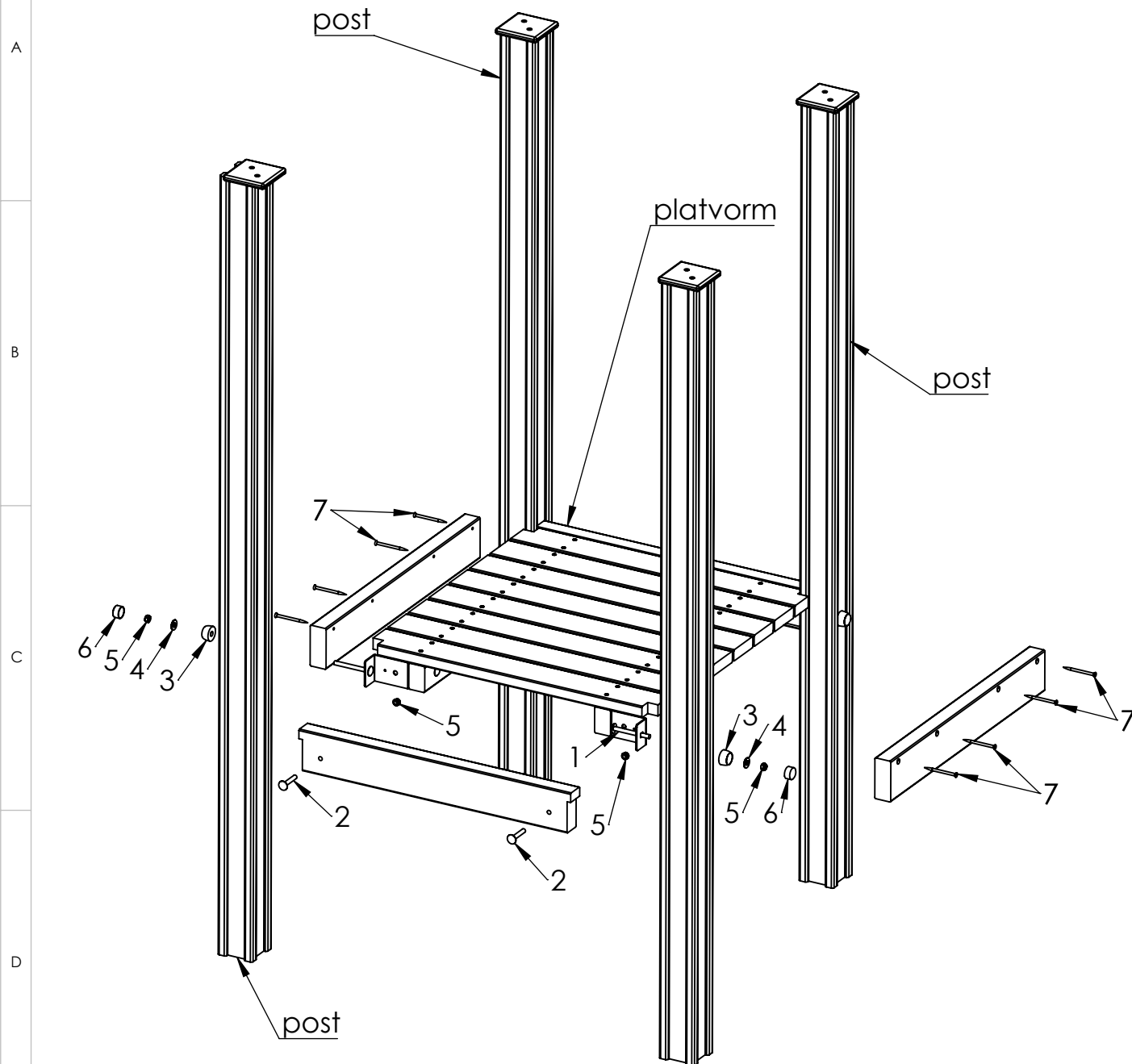
**Tiptiptap** OÜ

Tiptiptap OÜ  
 Veetorni 9,  
 Jüri alevik, Rae vald,  
 75301 Harjumaa

MATERIAL: wood, metal, plastic

A4

WEIGHT: SCALE: 1:8 SHEET 7 OF 16



ITEM NO.	PART NUMBER
1	bolt DIN603 M10x100
2	bolt DIN603 M10x60
3	nut cover M12
4	Washer M10 DIN7349
5	nut DIN985 M10
6	nut cover cap M12
7	Woodscrew 6 x 90

UNLESS OTHERWISE SPECIFIED:  
DIMENSIONS ARE IN MILLIMETERS  
WEIGHT ARE IN KILOGRAMM

PART NUMBER / DWG NO.:

LM102

	NAME	SIGNATURE	DATE	REVISION
DRAWN	R.Fedotov		14.09.2016	
APPV'D				

DESCRIPTION:

Play Centre JOHANNA  
connecting platform to post

MATERIAL:

wood, metal, plastic

A4

WEIGHT:

SCALE: 1:15

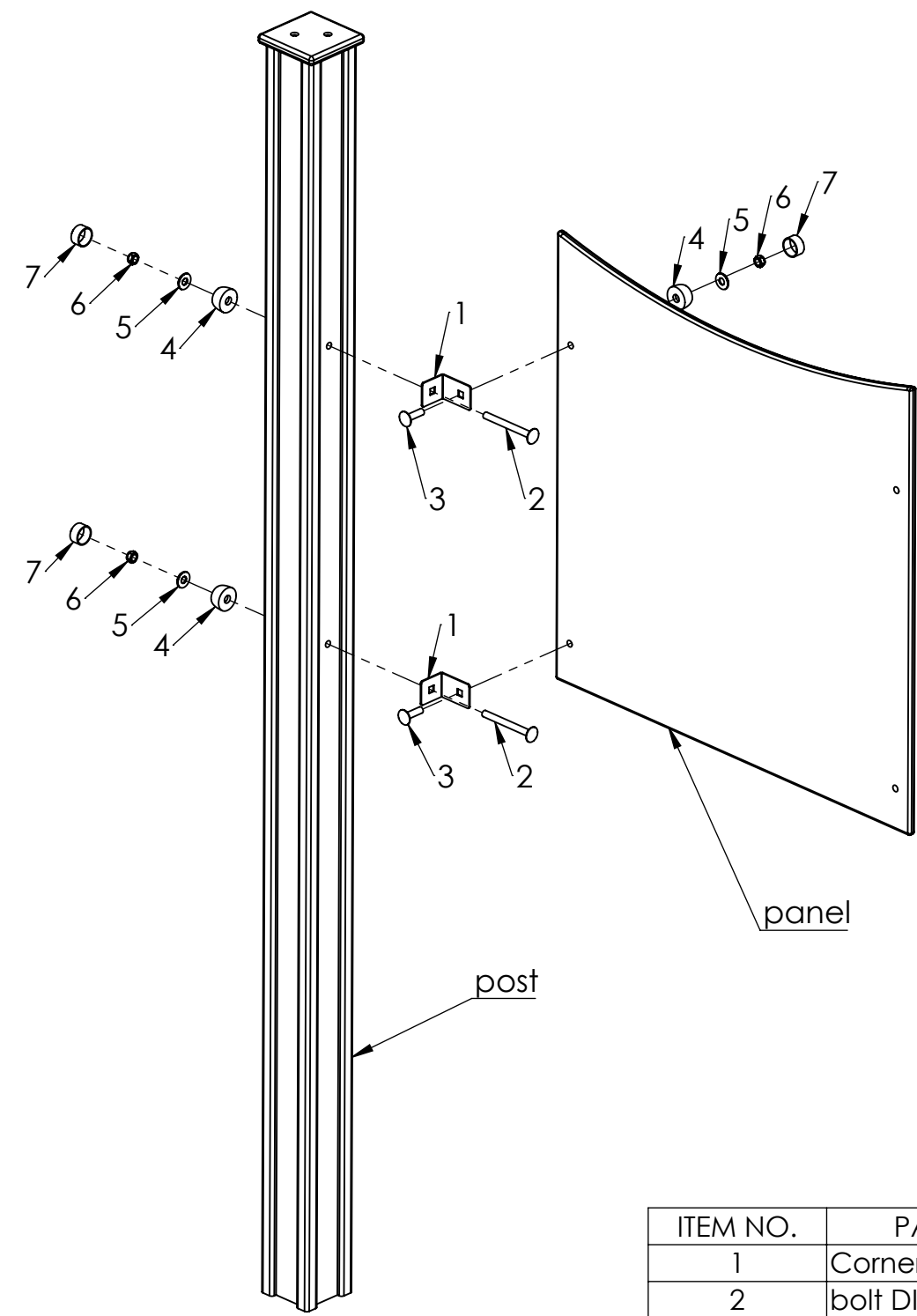
SHEET 8 OF 16



**Tiptap** OÜ

Tiptap OÜ  
Veetorni 9,  
Jüri alevik, Rae vald,  
75301 Harjumaa





ITEM NO.	PART NUMBER
1	Corner 90°
2	bolt DIN603 M10x100
3	bolt DIN603 M10x35
4	nut cover M12
5	Washer M10 DIN7349
6	nut DIN985 M10
7	nut cover cap M12

UNLESS OTHERWISE SPECIFIED:  
DIMENSIONS ARE IN MILLIMETERS  
WEIGHT ARE IN KILOGRAMM

PART NUMBER / DWG NO.:  
**LM102**

	NAME	SIGNATURE	DATE	REVISION
DRAWN	R.Fedotov		14.09.2016	
APPV'D				

DESCRIPTION:  
**Play Centre JOHANNA  
connecting panel to post**

 **Tiptaptap** OÜ  
Tiptaptap OÜ  
Veetorni 9,  
Jüri alevik, Rae vald,  
75301 Harjumaa

MATERIAL:	wood, metal, plastic	A4
WEIGHT:	SCALE: 1:10	SHEET 9 OF 16

A

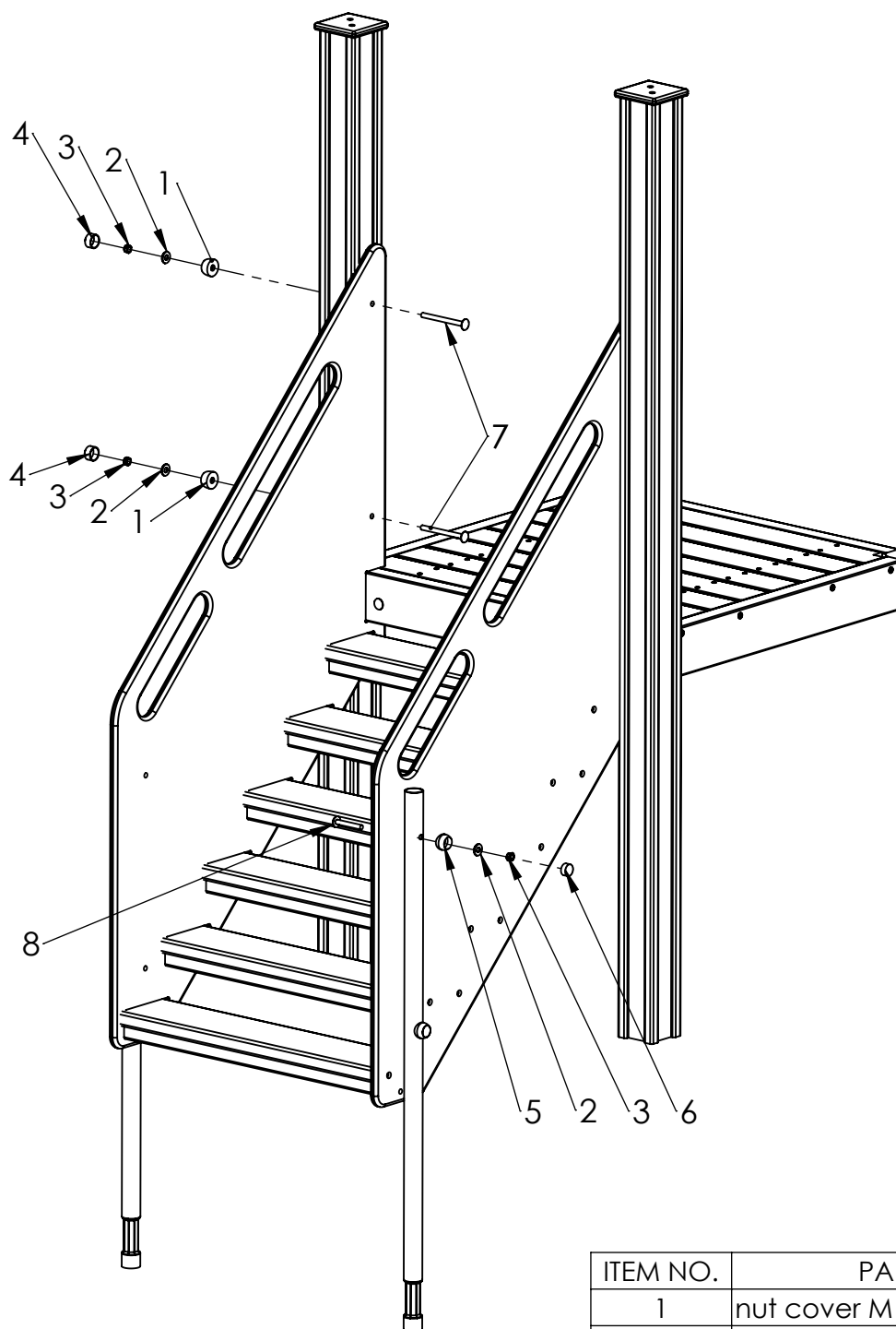
B

C

D

E

F



ITEM NO.	PART NUMBER
1	nut cover M12
2	Washer M10 DIN7349
3	nut DIN985 M10
4	nut cover cap M12
5	nut cover for beam M10
6	nut cover cap M10
7	bolt DIN603 M10x120
8	bolt DIN603 M10x70

UNLESS OTHERWISE SPECIFIED:  
DIMENSIONS ARE IN MILLIMETERS  
WEIGHT ARE IN KILOGRAMM

PART NUMBER / DWG NO.:

LM102

	NAME	SIGNATURE	DATE	REVISION
DRAWN	R.Fedotov		14.09.2016	
APPV'D				

DESCRIPTION:

Play Centre JOHANNA  
Connecting stairs to post

MATERIAL:

wood, metal, plastic

A4

WEIGHT:

SCALE: 1:15

SHEET 10 OF 16



**Tiptaptap** OÜ

Tiptaptap OÜ  
Veetorni 9,  
Jüri alevik, Rae vald,  
75301 Harjumaa

A

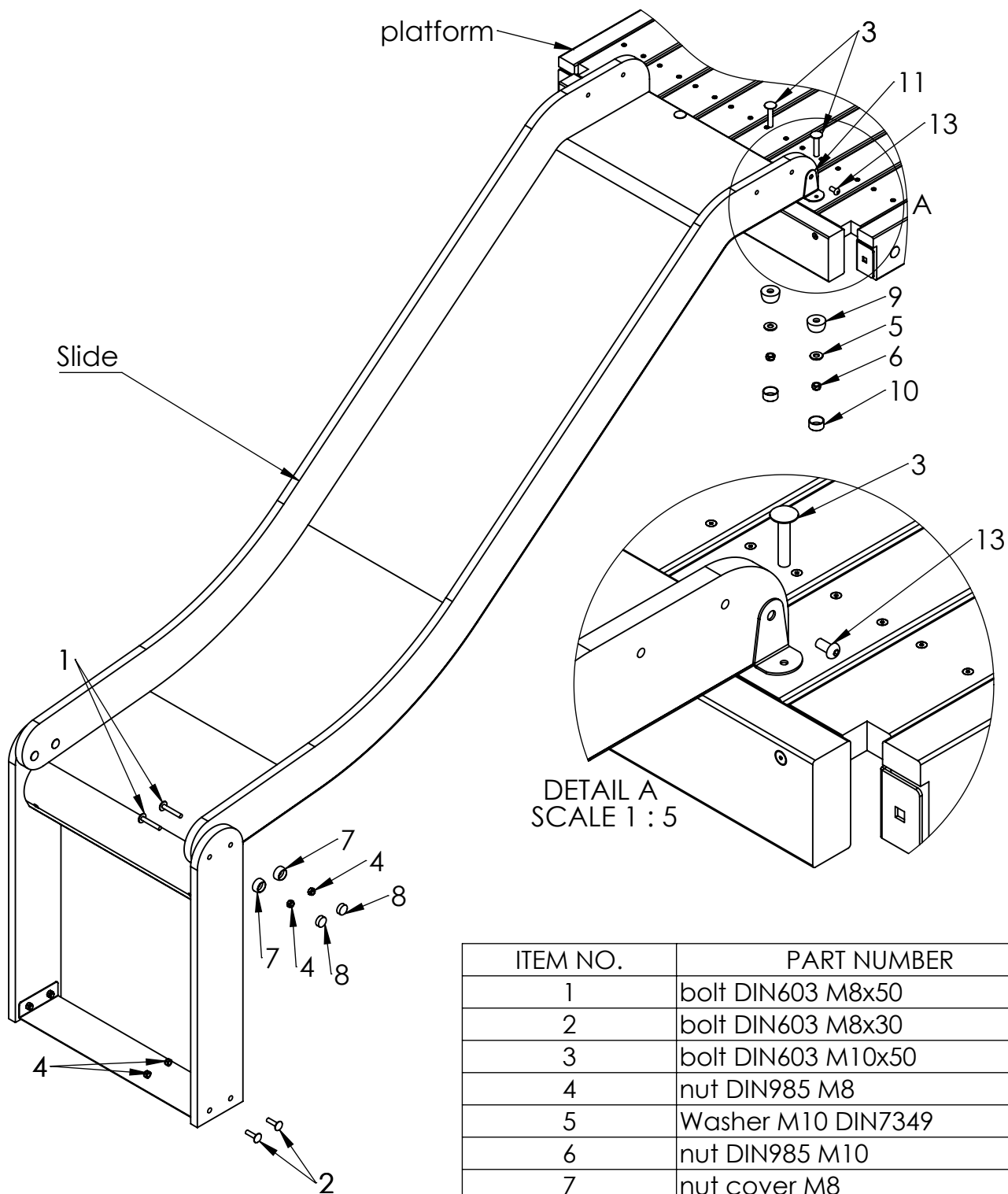
B

C

D

E

F



ITEM NO.	PART NUMBER
1	bolt DIN603 M8x50
2	bolt DIN603 M8x30
3	bolt DIN603 M10x50
4	nut DIN985 M8
5	Washer M10 DIN7349
6	nut DIN985 M10
7	nut cover M8
8	nut cover cap M8
9	nut cover M12
10	nut cover cap M12
11	corner 58x30
12	screw DIN7996 6x60
13	metal screw DIN 7380 M8x16

UNLESS OTHERWISE SPECIFIED:  
DIMENSIONS ARE IN MILLIMETERS  
WEIGHT ARE IN KILOGRAMM

PART NUMBER / DWG NO.:

LM102

	NAME	SIGNATURE	DATE	REVISION
DRAWN	R.Fedotov		14.09.2016	
APPV'D				

DESCRIPTION:

Play Centre JOHANNA  
connecting slide to platform

MATERIAL:

wood, metal, plastic

A4

WEIGHT:

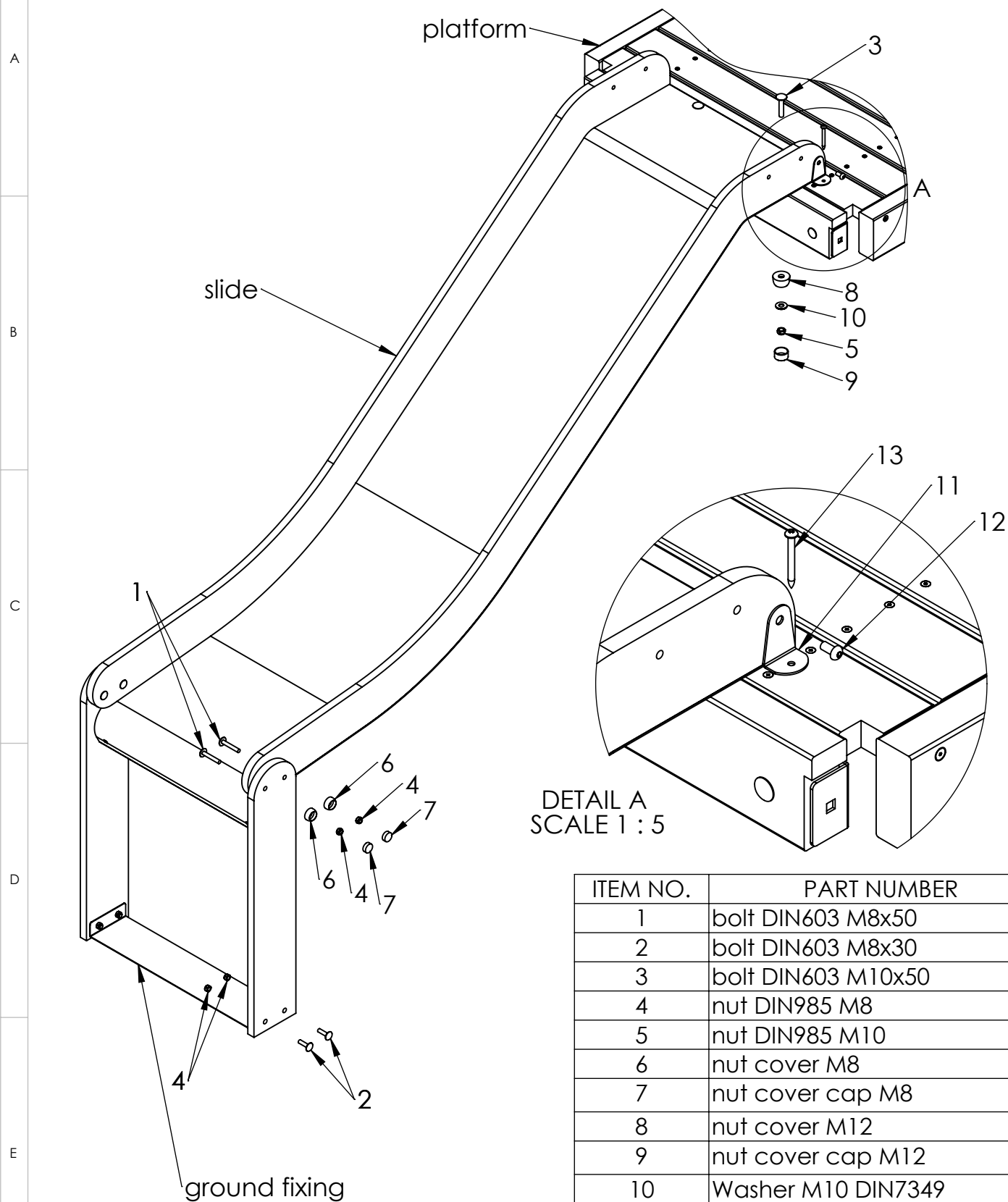
SCALE: 1:12

SHEET 11 OF 16



**Tiptiptap** OÜ

Tiptiptap OÜ  
Veetorni 9,  
Jüri alevik, Rae vald,  
75301 Harjumaa



ITEM NO.	PART NUMBER
1	bolt DIN603 M8x50
2	bolt DIN603 M8x30
3	bolt DIN603 M10x50
4	nut DIN985 M8
5	nut DIN985 M10
6	nut cover M8
7	nut cover cap M8
8	nut cover M12
9	nut cover cap M12
10	Washer M10 DIN7349
11	corner 58x30
12	metal screw DIN 7380 M8x16
13	screw DIN7996 6x60

UNLESS OTHERWISE SPECIFIED:  
DIMENSIONS ARE IN MILLIMETERS  
WEIGHT ARE IN KILOGRAMM

PART NUMBER / DWG NO.:

LM102

	NAME	SIGNATURE	DATE	REVISION
DRAWN	R.Fedotov		14.09.2016	
APPV'D				

DESCRIPTION:

Play Centre JOHANNA  
connecting slide to platform

MATERIAL:

wood, metal, plastic

A4

WEIGHT:

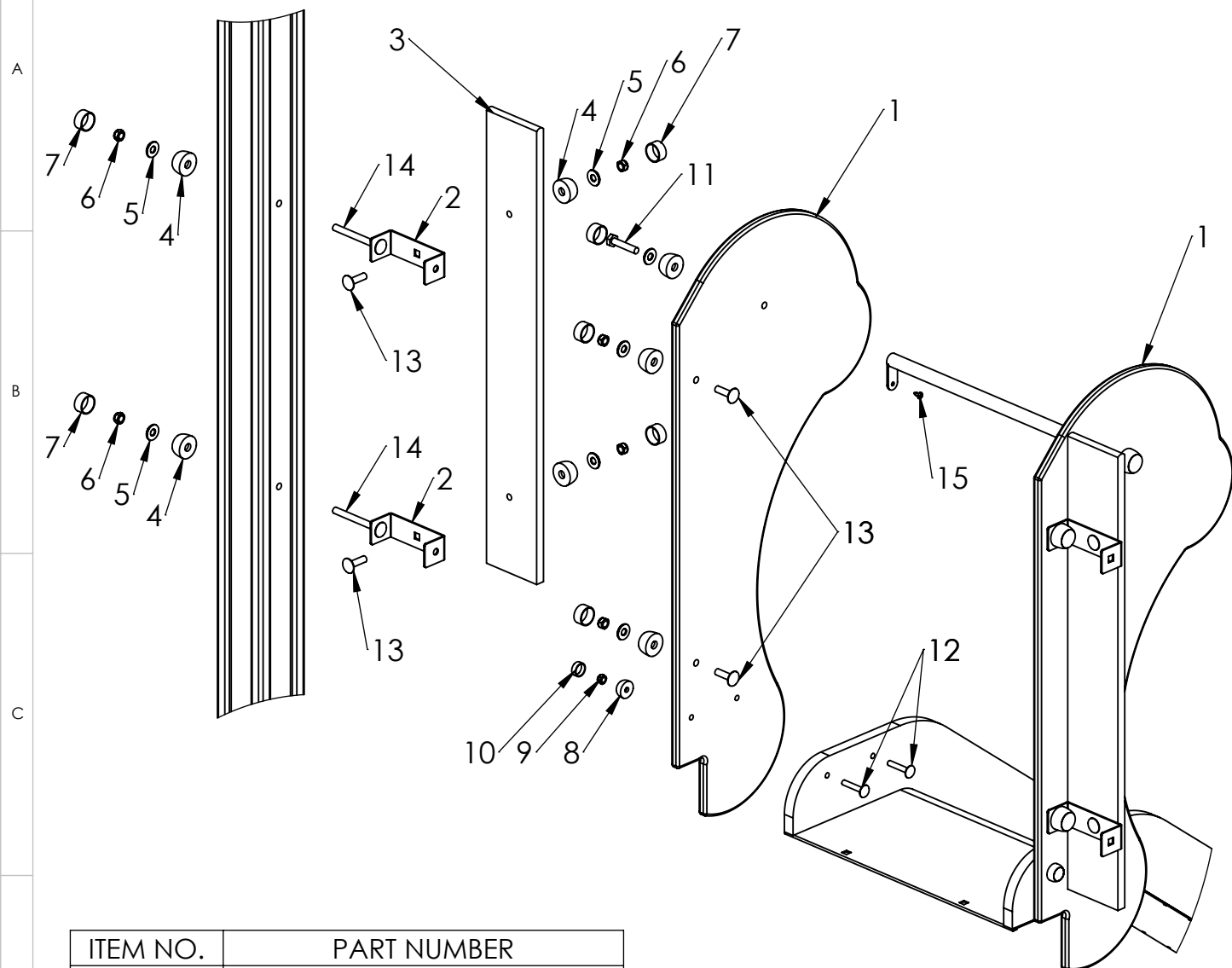
SCALE: 1:12

SHEET 12 OF 16



**Tiptaptap** OÜ

Tiptaptap OÜ  
Veetorni 9,  
Jüri alevik, Rae vald,  
75301 Harjumaa



ITEM NO.	PART NUMBER
1	slide side panel
2	slide side panel fixing 40x123
3	side panel 110x780
4	nut cover M12
5	Washer M10 DIN7349
6	nut DIN985 M10
7	nut cover cap M12
8	nut cover M8
9	nut DIN985 M8
10	nut cover cap M8
11	bolt DIN931 M10x50
12	bolt DIN603 M8x45
13	bolt DIN603 M10x35
14	bolt DIN603 M10x100
15	wood screw 4,8x13

UNLESS OTHERWISE SPECIFIED:  
DIMENSIONS ARE IN MILLIMETERS  
WEIGHT ARE IN KILOGRAMM

PART NUMBER / DWG NO.:

LM102

	NAME	SIGNATURE	DATE	REVISION
DRAWN	R.Fedotov		14.09.2016	
APPV'D				

DESCRIPTION:

Play Centre JOHANNA

Connecting slide guard block to post

MATERIAL:

wood, metal, plastic

A4

WEIGHT:

SCALE: 1:10

SHEET 13 OF 16



**Tiptaptap** OÜ

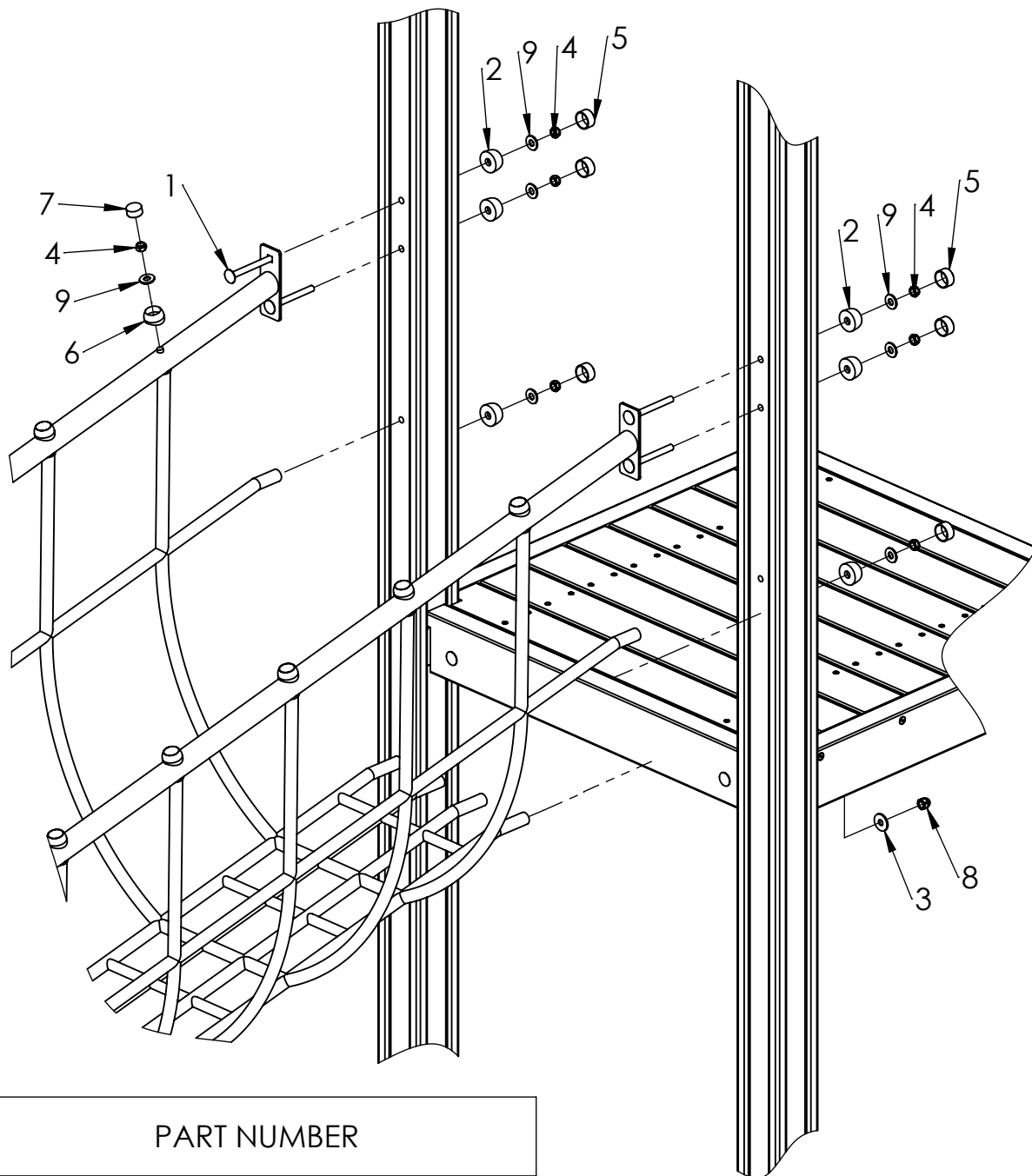
Tiptaptap OÜ  
Veetorni 9,  
Jüri alevik, Rae vald,  
75301 Harjumaa

A

B

C

D



ITEM NO.	PART NUMBER
1	bolt DIN603 M10x100
2	nut cover M12
3	washer M10
4	nut DIN985 M10
5	nut cover cap M12
6	nut cover for beam M10
7	nut cover cap M10
8	domed cap nut DIN1587 M10
9	Washer M10 DIN7349

UNLESS OTHERWISE SPECIFIED:  
DIMENSIONS ARE IN MILLIMETERS  
WEIGHT ARE IN KILOGRAMM

	NAME	SIGNATURE	DATE	REVISION
DRAWN	R.Fedotov		14.09.2016	
APPV'D				

PART NUMBER / DWG NO.:

LM102

DESCRIPTION:

Play Centre JOHANNA  
connecting bridge to post and platform

MATERIAL:

wood, metal, plastic

A4

WEIGHT:

SCALE: 1:11

SHEET 14 OF 16



**Tiptiptap** OÜ

Tiptiptap OÜ  
Veetorni 9,  
Jüri alevik, Rae vald,  
75301 Harjumaa

F

A

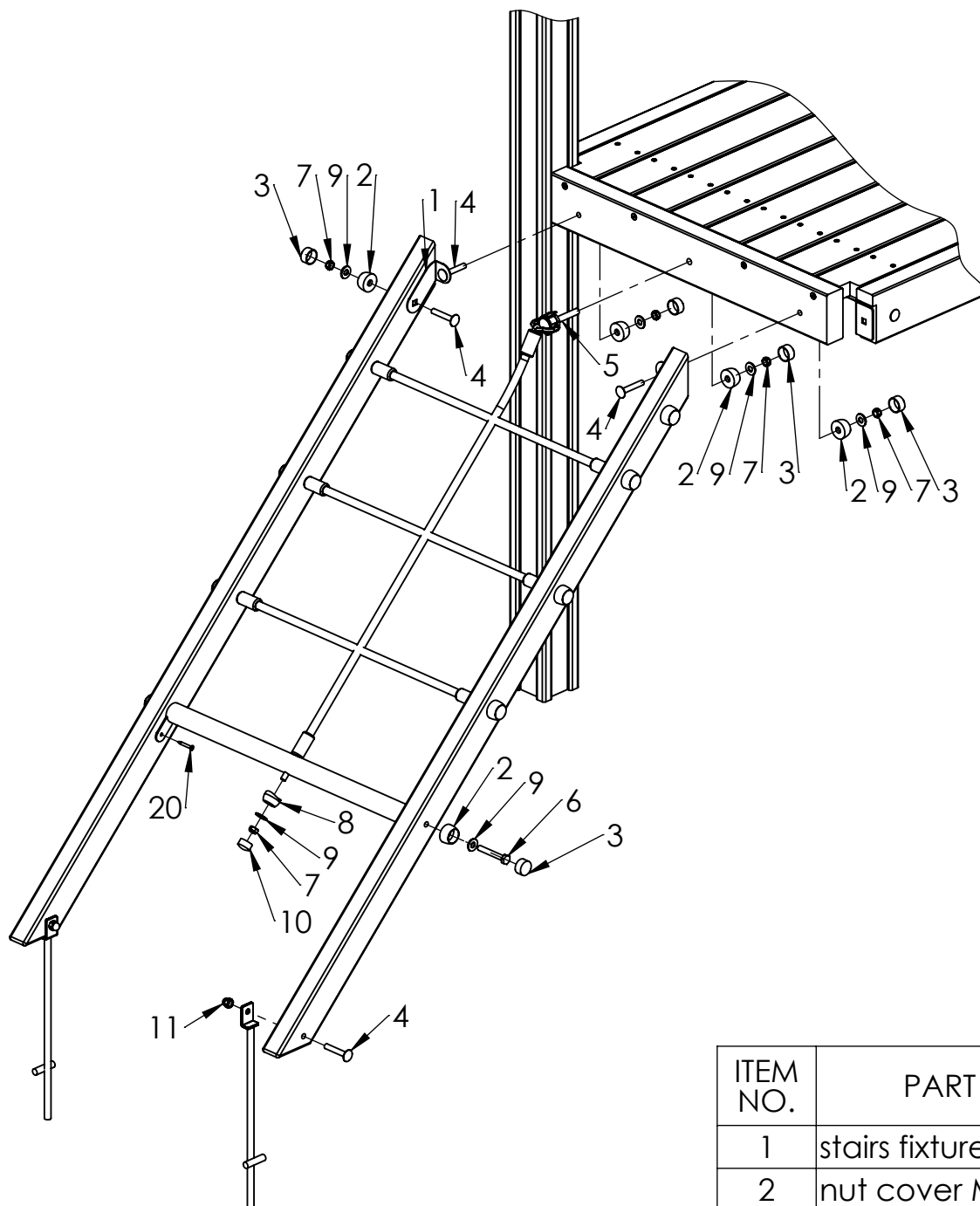
B

C

D

E

F



ITEM NO.	PART NUMBER
1	stairs fixture
2	nut cover M12
3	nut cover cap M12
4	bolt DIN603 M10x60
5	bolt DIN603 M12x90
6	bolt DIN931 M10x70
7	nut DIN985 M10
8	nut cover for beam M10
9	Washer M10 DIN7349
10	nut cover cap M10

UNLESS OTHERWISE SPECIFIED:  
DIMENSIONS ARE IN MILLIMETERS  
WEIGHT ARE IN KILOGRAMM

PART NUMBER / DWG NO.:

LM102

	NAME	SIGNATURE	DATE	REVISION
DRAWN	R.Fedotov		14.09.2016	
APPV'D				

DESCRIPTION:

Play Centre JOHANNA  
connecting inclined rope ladder to platform

MATERIAL:

wood, metal, plastic

A4

WEIGHT:

SCALE: 1:13

SHEET 15 OF 16

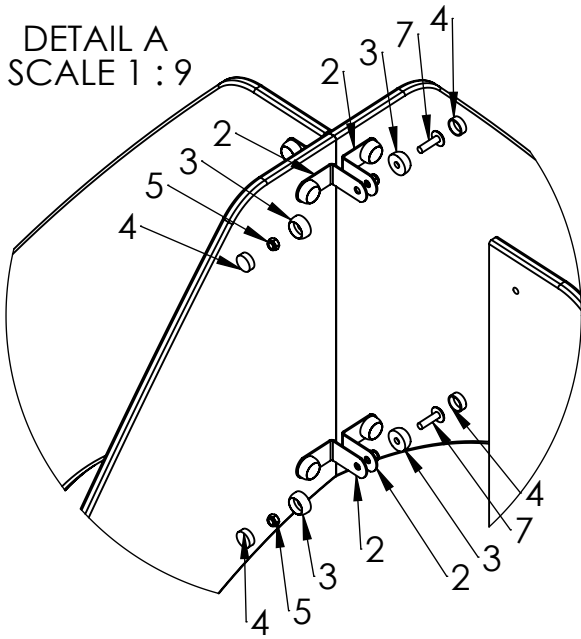


**Tiptiptap** OÜ

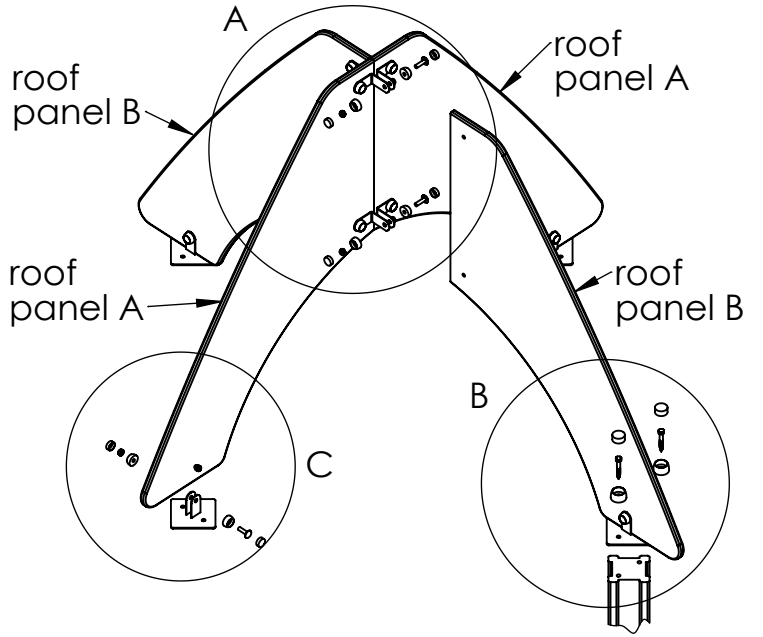
Tiptiptap OÜ  
Veetorni 9,  
Jüri alevik, Rae vald,  
75301 Harjumaa

A

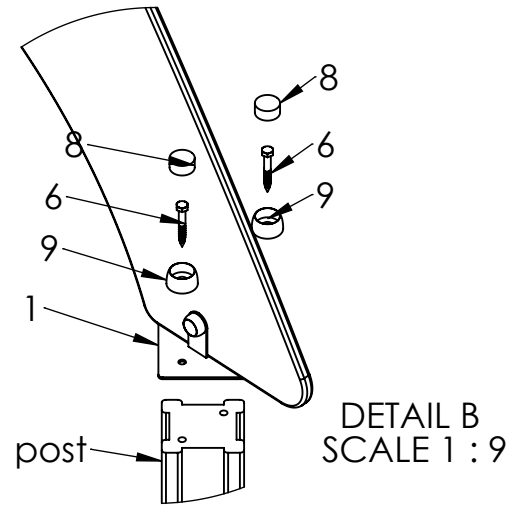
DETAIL A  
SCALE 1 : 9



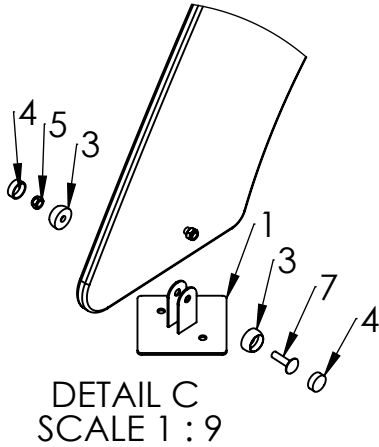
B



C



D



DETAIL C  
SCALE 1 : 9

E

ITEM NO.	PART NUMBER
1	roof fixture
2	corner 60x60
3	nut cover M8
4	nut cover cap M8
5	nut DIN985 M8
6	wood screw DIN571 8x60
7	bolt DIN603 M8x30
8	nut cover cap M12
9	nut cover M12

F

UNLESS OTHERWISE SPECIFIED:  
DIMENSIONS ARE IN MILLIMETERS  
WEIGHT ARE IN KILOGRAMM

PART NUMBER / DWG NO.:

LM102

	NAME	SIGNATURE	DATE	REVISION
DRAWN	R.Fedotov		14.09.2016	
APPV'D				

DESCRIPTION:

Play Centre JOHANNA  
connecting roof to post



**Tiptap** OÜ

Tiptap OÜ  
Veetorni 9,  
Jüri alevik, Rae vald,  
75301 Harjumaa

MATERIAL:

wood, metal, plastic

A4

WEIGHT:

SCALE: 1:18

SHEET 16 OF 16