

A

B

C

D

E

F



UNLESS OTHERWISE SPECIFIED:  
DIMENSIONS ARE IN MILLIMETERS  
WEIGHT ARE IN KILOGRAMM

PART NUMBER / DWG NO.:

LM212

	NAME	SIGNATURE	DATE	REVISION
DRAWN	M.Rebase		23.03.2016	
APPV'D				

DESCRIPTION:

Play Centre ANNABEL



**Tiptaptap** OÜ

Tiptaptap OÜ  
Veetorni 9,  
Jüri alevik, Rae vald,  
75301 Harjumaa

MATERIAL:

wood, metal, plastic

A4

WEIGHT:

SCALE: 1:35

SHEET 1 OF 19

# safety area

A

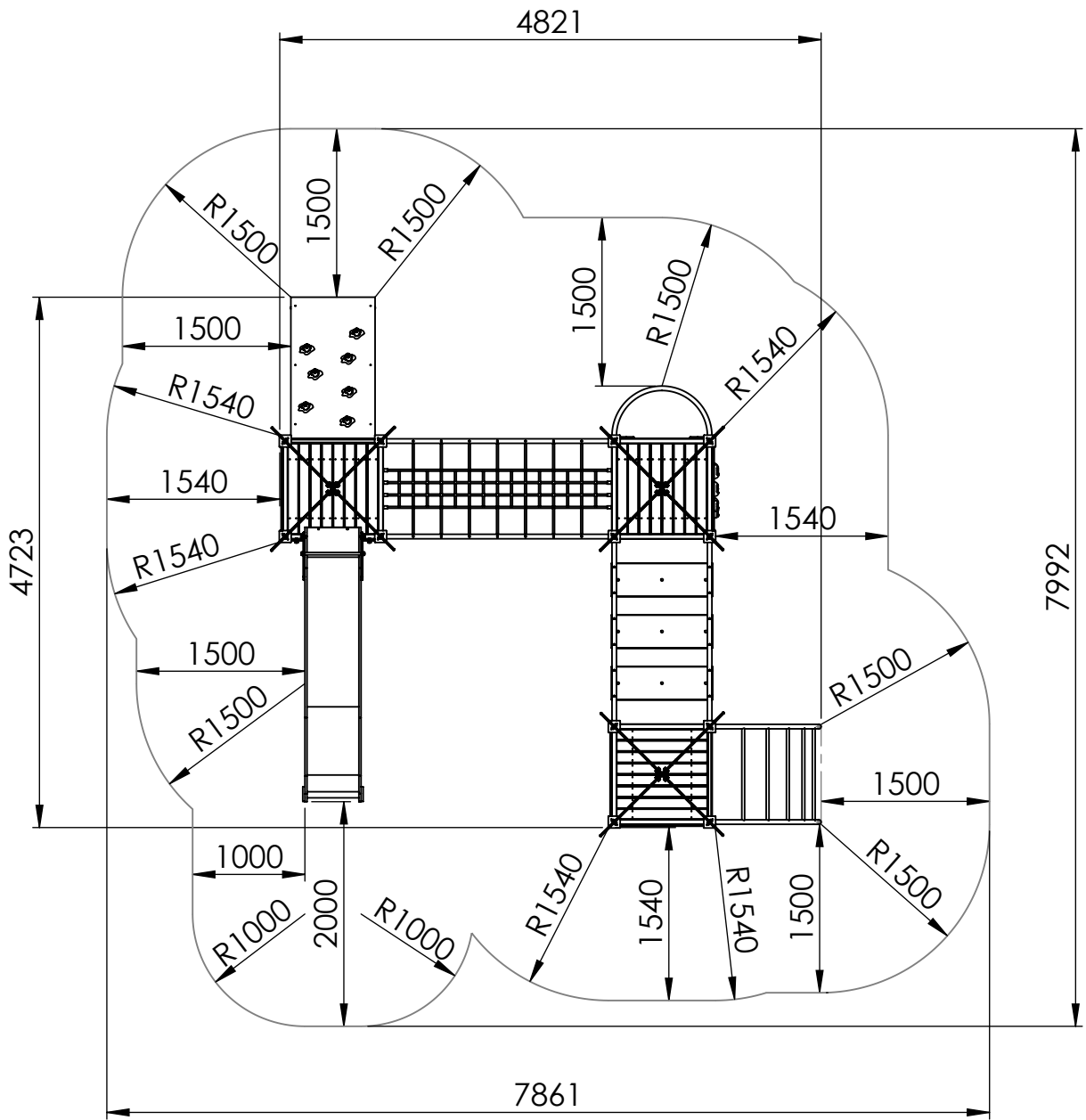
B

C

D

E

F



UNLESS OTHERWISE SPECIFIED:  
DIMENSIONS ARE IN MILLIMETERS  
WEIGHT ARE IN KILOGRAMM

PART NUMBER / DWG NO.:

LM212

	NAME	SIGNATURE	DATE	REVISION
DRAWN	M.Rebase		23.03.2016	
APPV'D				

DESCRIPTION:

Play Centre ANNABEL



**Tiptaptap** OÜ

Tiptaptap OÜ  
Veetorni 9,  
Jüri alevik, Rae vald,  
75301 Harjumaa

MATERIAL:

wood, metal, plastic

A4

WEIGHT:

SCALE: 1:60

SHEET 2 OF 19

# foundation

A

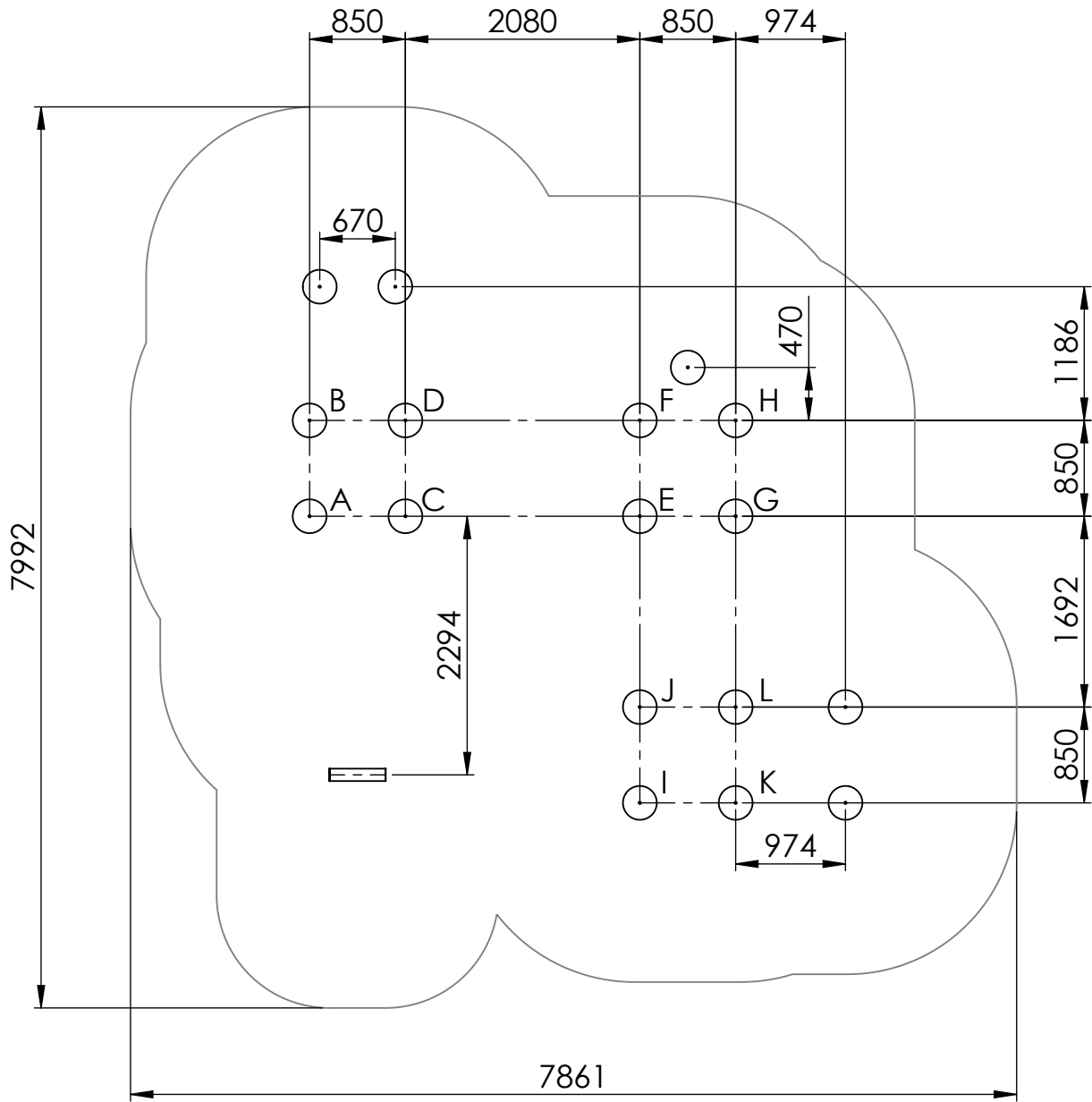
B

C

D

E

F



UNLESS OTHERWISE SPECIFIED: DIMENSIONS ARE IN MILLIMETERS WEIGHT ARE IN KILOGRAMM				
	NAME	SIGNATURE	DATE	REVISION
DRAWN	M.Rebase		23.03.2016	
APPV'D				

PART NUMBER / DWG NO.:	LM212
------------------------	-------

DESCRIPTION:	Play Centre ANNABEL
--------------	---------------------


**Tiptiptap** OÜ  
 Veetorni 9,  
 Jüri alevik, Rae vald,  
 75301 Harjumaa

MATERIAL:	wood, metal, plastic	A4
WEIGHT:	SCALE: 1:60	SHEET 3 OF 19

1

2

3

4

A

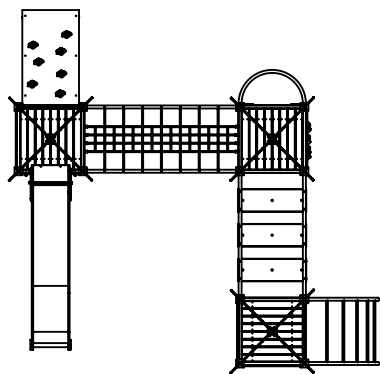
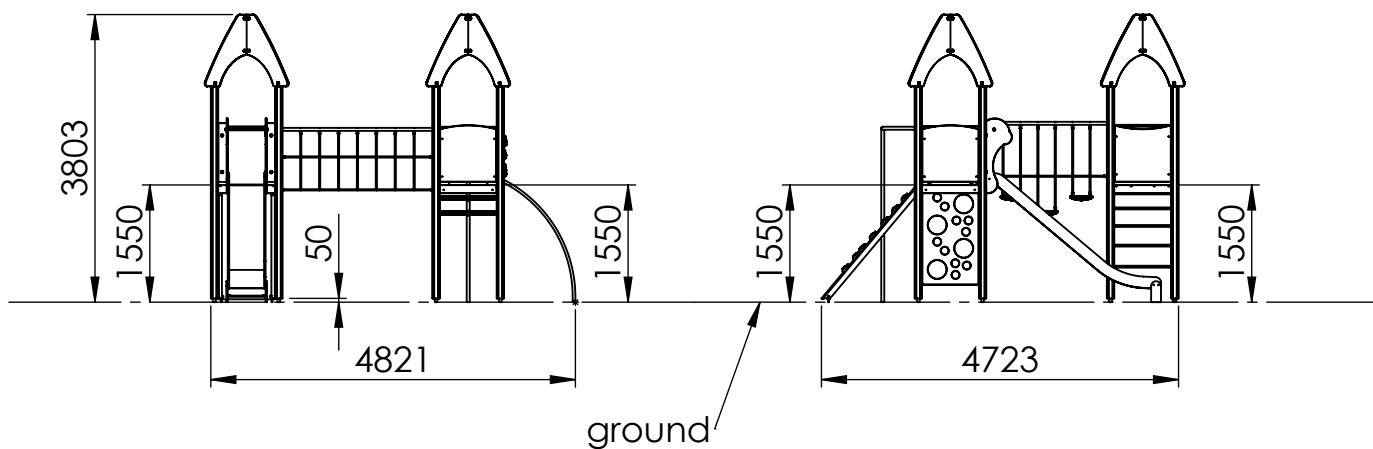
B

C

D

E

F



UNLESS OTHERWISE SPECIFIED:  
DIMENSIONS ARE IN MILLIMETERS  
WEIGHT ARE IN KILOGRAMM

PART NUMBER / DWG NO.:

LM212

	NAME	SIGNATURE	DATE	REVISION
DRAWN	M.Rebase		23.03.2016	
APPV'D				

DESCRIPTION:

Play Centre ANNABEL



**Tiptaptap** OÜ

Tiptaptap OÜ  
Veetorni 9,  
Jüri alevik, Rae vald,  
75301 Harjumaa

MATERIAL:

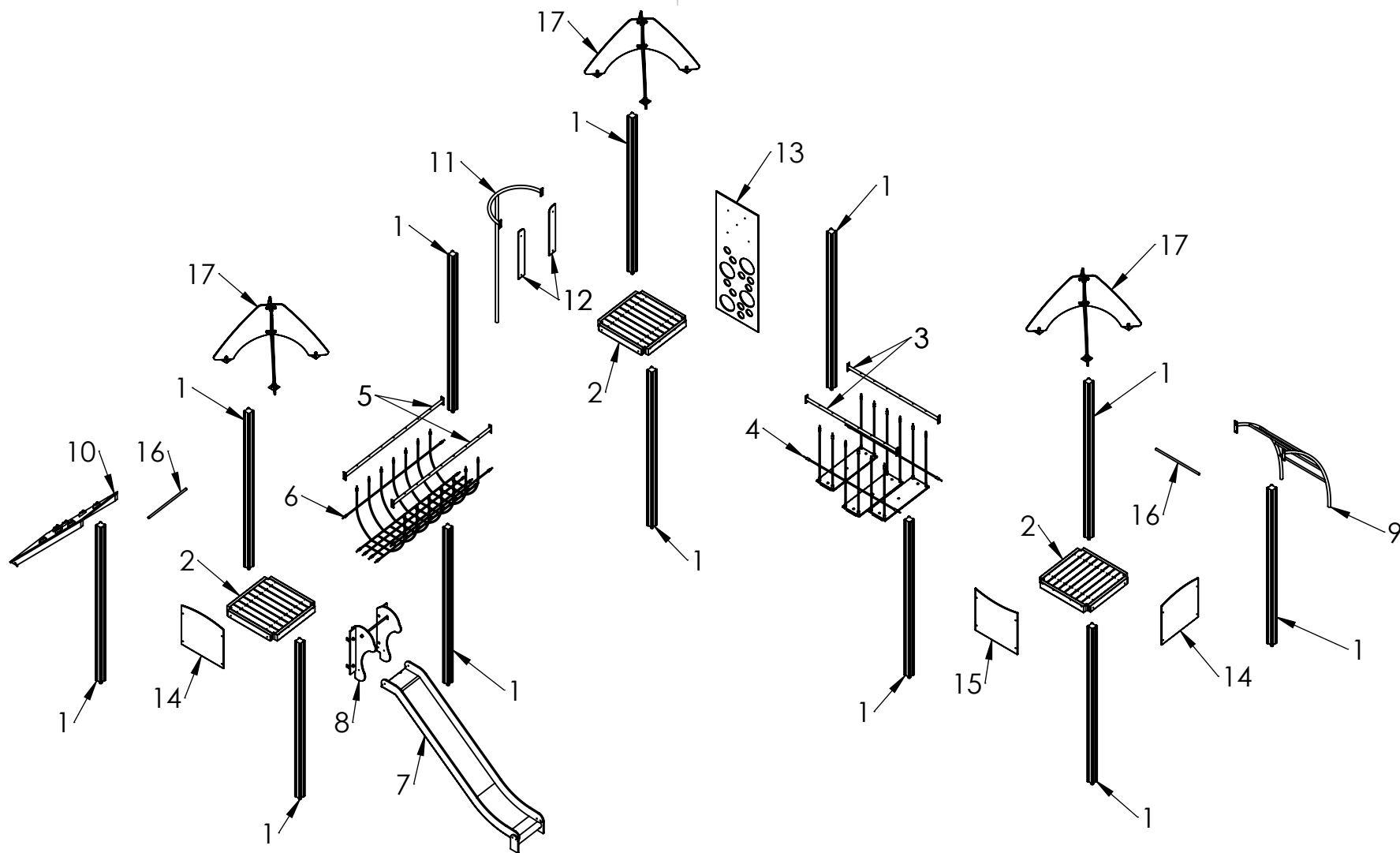
wood, metal, plastic

A4

WEIGHT:

SCALE: 1:100

SHEET 4 OF 19



UNLESS OTHERWISE SPECIFIED:  
 DIMENSIONS ARE IN MILLIMETERS  
 WEIGHT ARE IN KILOGRAMM

	NAME	SIGNATURE	DATE	REVISION
DRAWN	M.Rebase		23.03.2016	
APPV'D				



**Tiptaptap** OÜ  
 Tiptaptap OÜ  
 Veetorni 9,  
 Jüri alevik, Rae vald,  
 75301 Harjumaa

PART NUMBER / DWG NO.:  
**LM212**

DESCRIPTION:  
**Play Centre ANNABEL**

MATERIAL:	wood, metal, plastic	A4
WEIGHT:	SCALE: 1:80	SHEET 5 OF 19

ITEM NO.	PART NUMBER	DESCRIPTION	QTY.
1	post 98x98x2800	laminated wood	12
2	platform	laminated wood, metal	3
3	beam 40x1612, 6 holes	painted steel	2
4	bridge	plywood, metal	1
5	beam 40x2000, 7 holes	painted steel	2
6	rope bridge	PP covered steel wire	1
7	slide h_1550	stainless steel, PE plastic	1
8	slide guard block	plywood, metal, plastic	1
9	arch ladder	galvanized painted steel	1
10	ramp with climbing grips	plywood	1
11	climbing pole	painted steel	1
12	panel 850x126	plywood	2
13	climbing wall h_750x2100	plywood	1
14	panel 750x750	plywood	2
15	panel 750x750	plywood	1
16	guardrail Ø25x770	painted steel	2
17	roof	plywood	3



UNLESS OTHERWISE SPECIFIED:  
DIMENSIONS ARE IN MILLIMETERS  
WEIGHT ARE IN KILOGRAMM

PART NUMBER / DWG NO.:  
**LM212**

	NAME	SIGNATURE	DATE	REVISION
DRAWN	M.Rebase		23.03.2016	
APPV'D				

DESCRIPTION:  
**Play Centre ANNABEL**



**Tiptiptap** OÜ  
Veetorni 9,  
Jüri alevik, Rae vald,  
75301 Harjumaa

MATERIAL:	wood, metal, plastic	A4
WEIGHT:	SCALE: 1:80	SHEET 6 OF 19

A

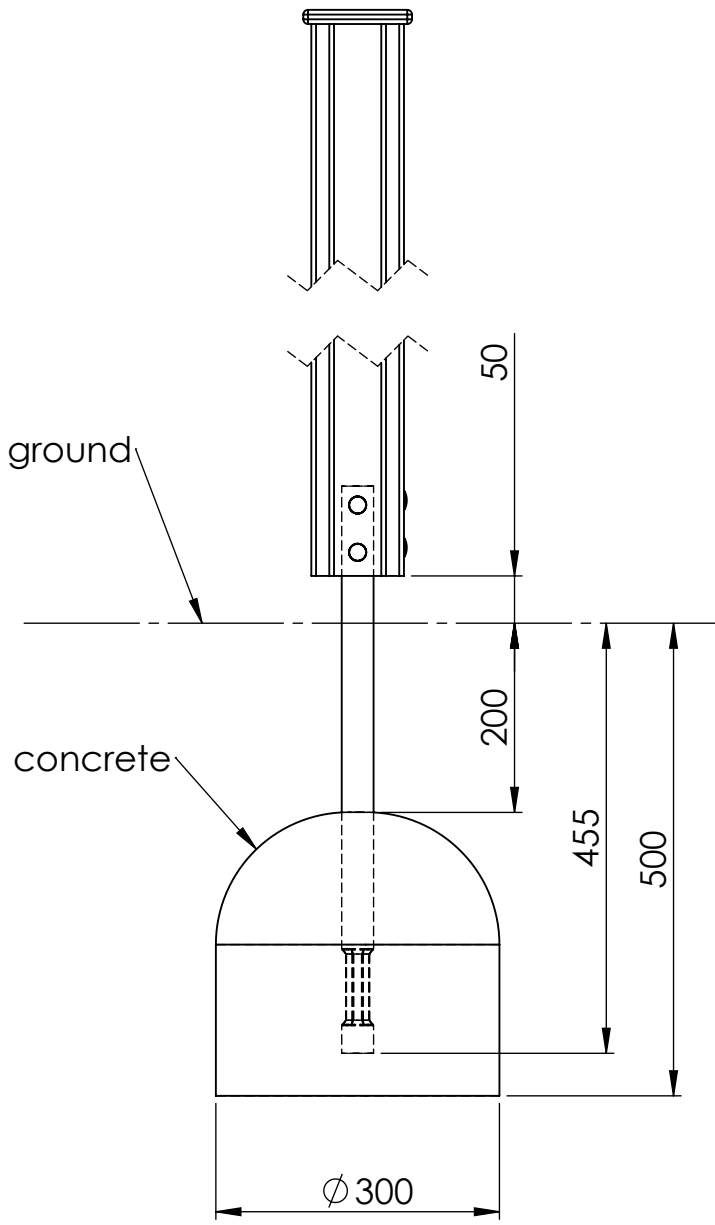
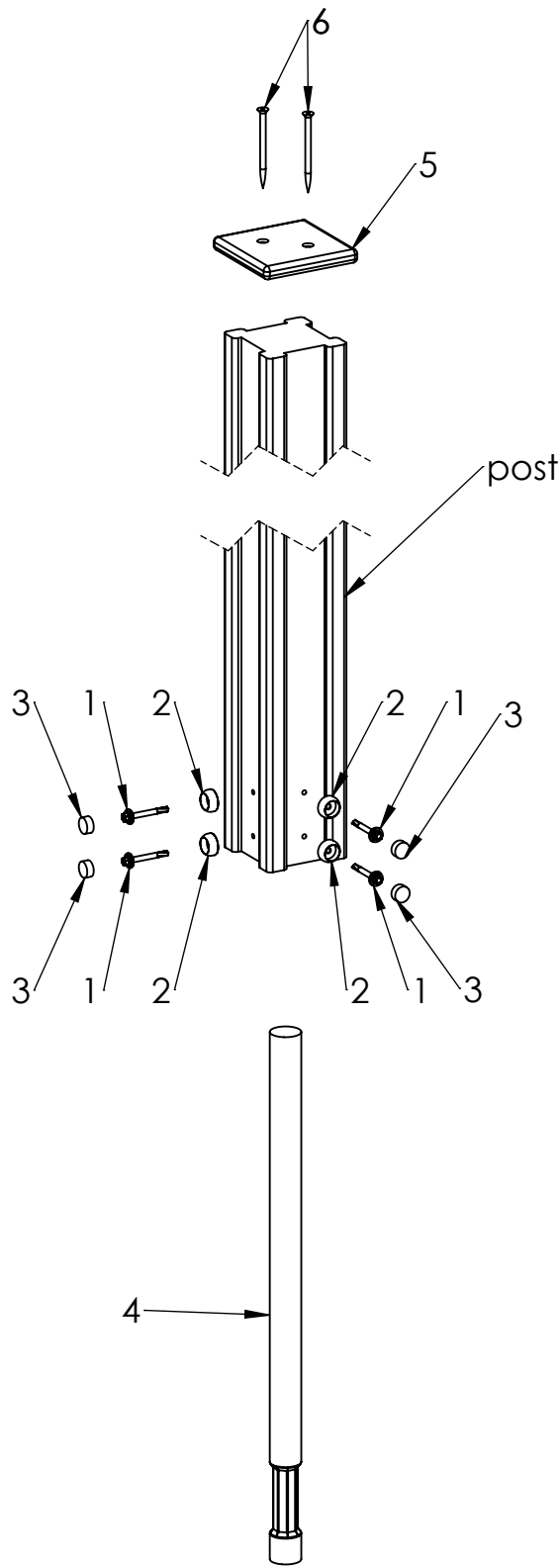
B

C

D

E

F



ITEM NO.	PART NUMBER
1	screw DIN7504K 5,5x50
2	nut cover M6
3	nut cover cap M6
4	metal ground fixing L_600
5	plastic cap 115x115
6	woodscrew 6 x 90

UNLESS OTHERWISE SPECIFIED: DIMENSIONS ARE IN MILLIMETERS WEIGHT ARE IN KILOGRAMM				
	NAME	SIGNATURE	DATE	REVISION
DRAWN	M.Rebase		23.03.2016	
APPV'D				

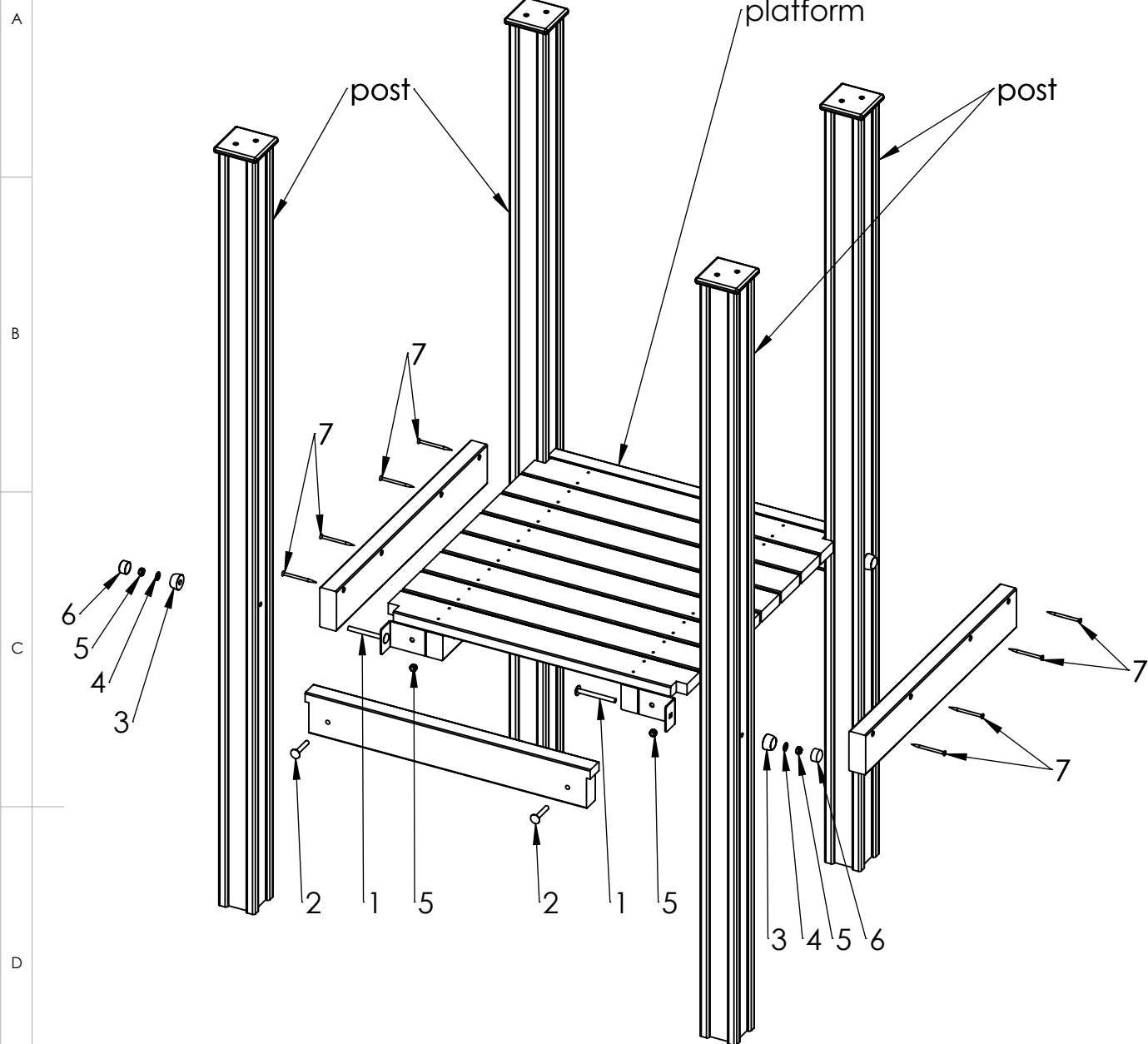
PART NUMBER / DWG NO.:  
**LM212**

DESCRIPTION:  
**Play Centre ANNABEL  
connecting metal ground fixing to post**



**Tiptiptap** OÜ  
Veetorni 9,  
Jüri alevik, Rae vald,  
75301 Harjumaa

MATERIAL:	wood, metal, plastic	A4
WEIGHT:	SCALE: 1:8	SHEET 7 OF 19



ITEM NO.	PART NUMBER
1	bolt DIN603 M10x100
2	bolt DIN603 M10x60
3	nut cover M12
4	washer M10
5	nut DIN985 M10
6	nut cover cap M12
7	woodscrew 6 x 90

UNLESS OTHERWISE SPECIFIED:  
DIMENSIONS ARE IN MILLIMETERS  
WEIGHT ARE IN KILOGRAMM

PART NUMBER / DWG NO.:

LM212

	NAME	SIGNATURE	DATE	REVISION
DRAWN	M.Rebase		23.03.2016	
APPV'D				

DESCRIPTION:

Play Centre ANNABEL  
connecting platform to post

MATERIAL:

wood, metal, plastic

A4

WEIGHT:

SCALE: 1:15

SHEET 8 OF 19



**Tiptaptap** OÜ

Tiptaptap OÜ  
Veetorni 9,  
Jüri alevik, Rae vald,  
75301 Harjumaa



A

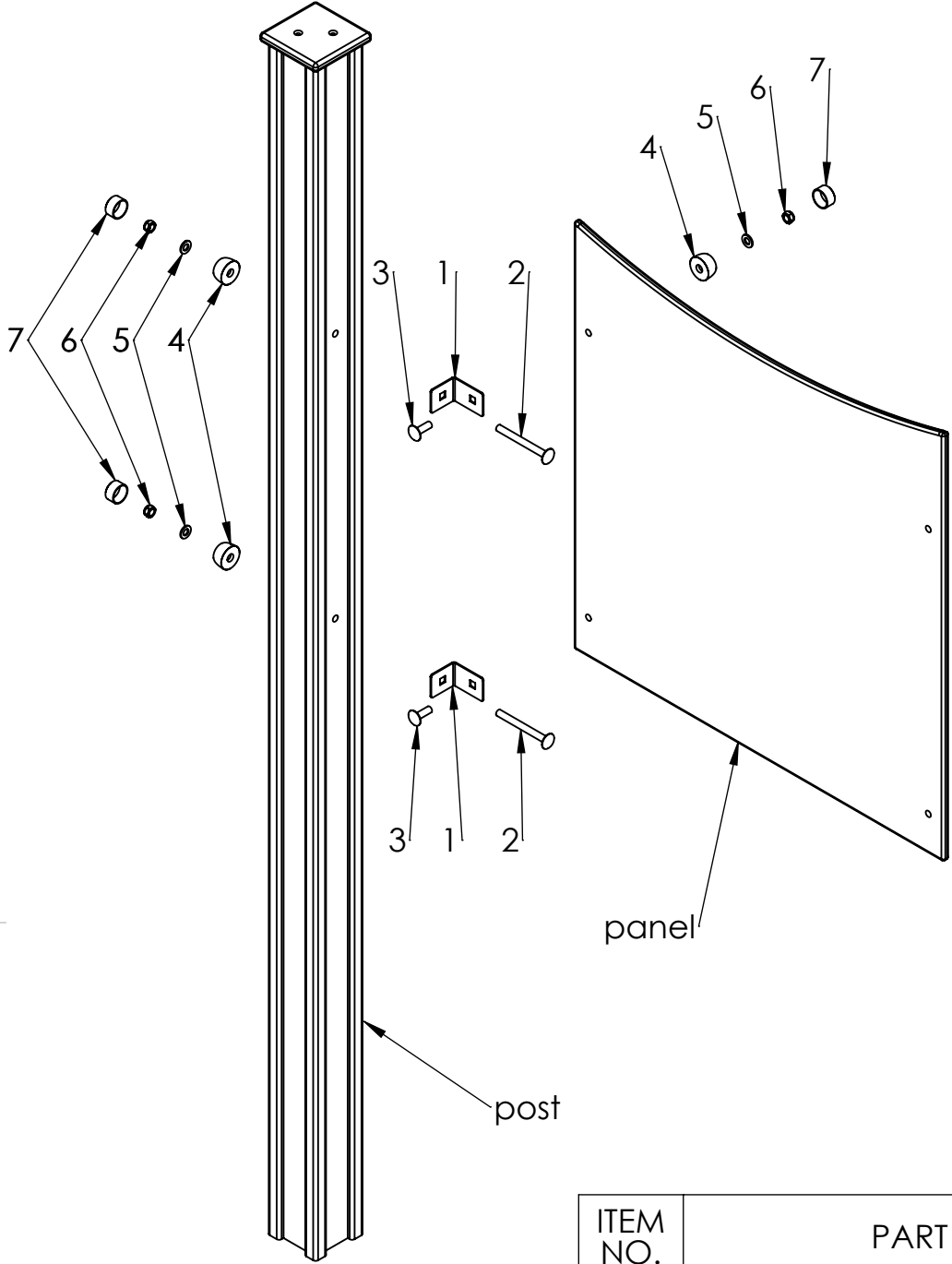
B

C

D

E

F



ITEM NO.	PART NUMBER
1	corner 48x60
2	bolt DIN603 M10x100
3	bolt DIN603 M10x30
4	nut cover M12
5	washer M10
6	nut DIN985 M10
7	nut cover cap M12

UNLESS OTHERWISE SPECIFIED:  
DIMENSIONS ARE IN MILLIMETERS  
WEIGHT ARE IN KILOGRAMM

NAME	SIGNATURE	DATE	REVISION
DRAWN M.Rebase		23.03.2016	
APPV'D			

PART NUMBER / DWG NO.:  
**LM212**

DESCRIPTION:  
**Play Centre ANNABEL  
connecting panel to post**



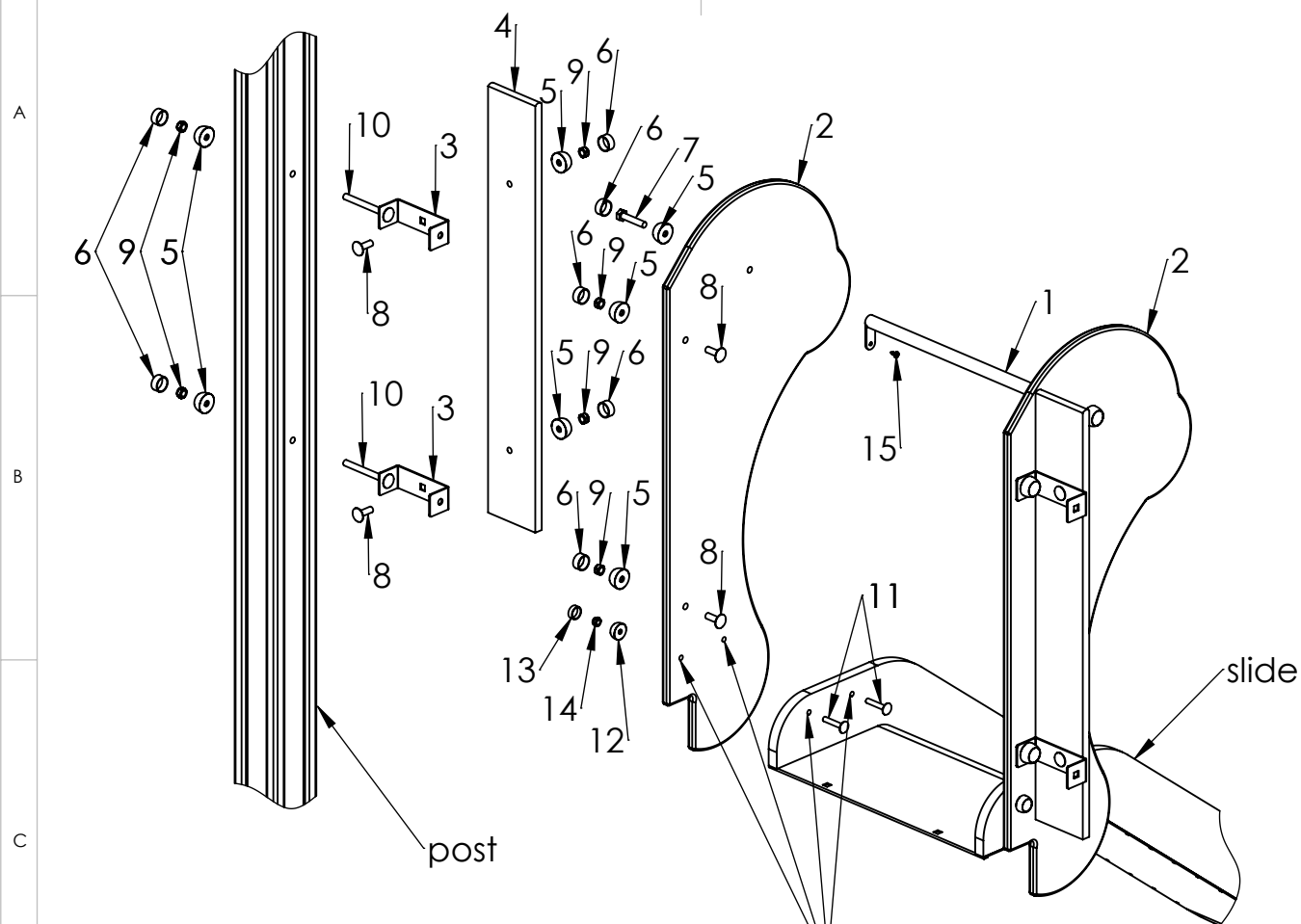
**Tiptap** OÜ

Tiptap OÜ  
Veetorni 9,  
Jüri alevik, Rae vald,  
75301 Harjumaa

MATERIAL: wood, metal, plastic

A4

WEIGHT: SCALE: 1:10 SHEET 9 OF 19



It is important to drill 8,5mm holes through side panel and slide.

ITEM NO.	PART NUMBER
1	slide guardrail
2	slide side panel
3	slide side panel fixing 40x120
4	side panel 110x780
5	nut cover M10
6	nut cover cap M10
7	bolt DIN931 M10x50
8	bolt DIN603 M10x30
9	nut DIN985 M10
10	bolt DIN603 M10x100
11	bolt DIN603 M8x45
12	nut cover M8
13	nut cover cap M8
14	nut DIN985 M8
15	wood screw 4,8x13

UNLESS OTHERWISE SPECIFIED:  
DIMENSIONS ARE IN MILLIMETERS  
WEIGHT ARE IN KILOGRAMM

PART NUMBER / DWG NO.:

LM212

	NAME	SIGNATURE	DATE	REVISION
DRAWN	M.Rebase		23.03.2016	
APPV'D				

DESCRIPTION:

Play Centre ANNABEL  
connecting slide guard block to post

MATERIAL:

wood, metal, plastic

A4

WEIGHT:

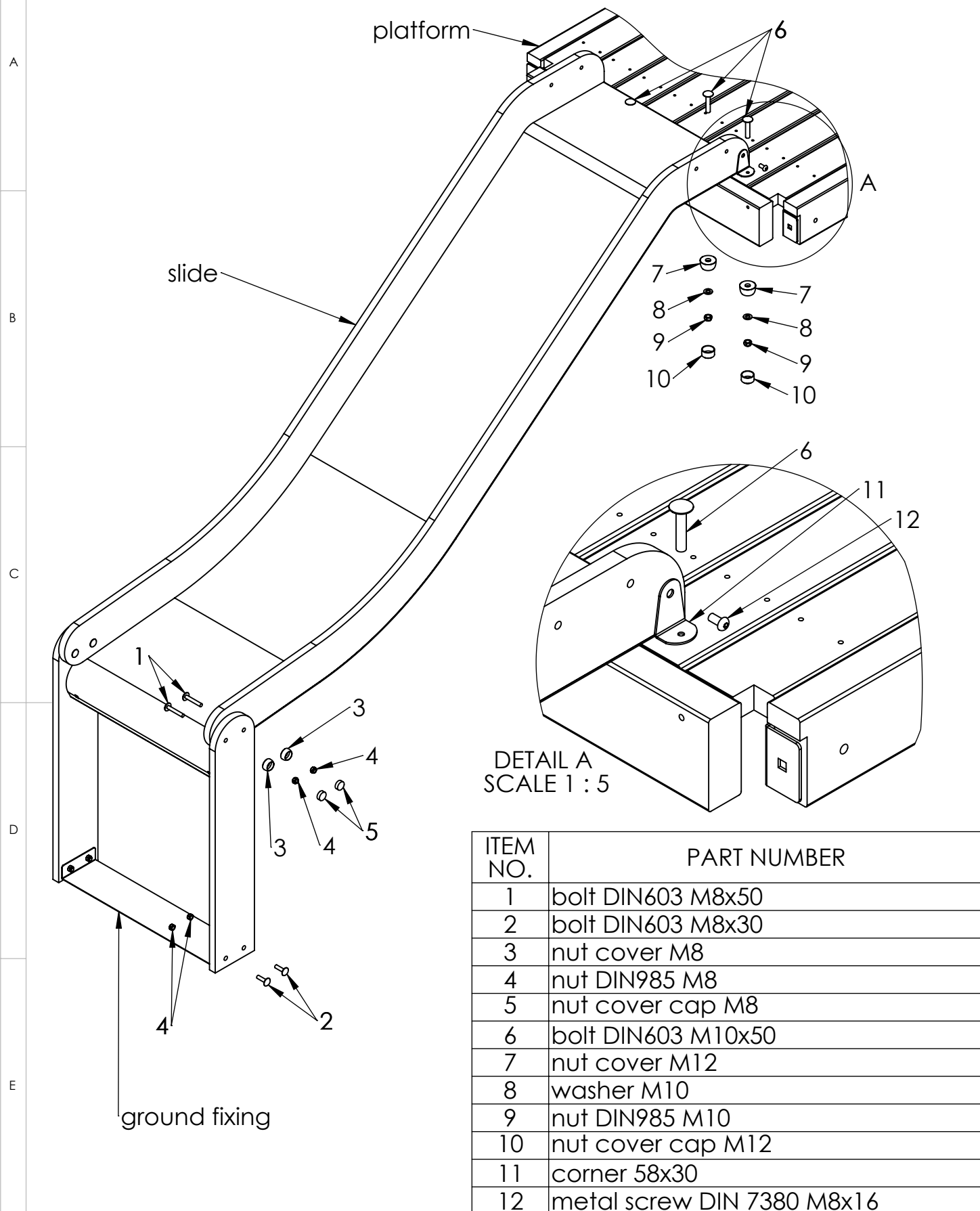
SCALE: 1:12

SHEET 10 OF 19



**Tiptap** OÜ

Tiptap OÜ  
Veetorni 9,  
Jüri alevik, Rae vald,  
75301 Harjumaa



DETAIL A  
SCALE 1 : 5

ITEM NO.	PART NUMBER
1	bolt DIN603 M8x50
2	bolt DIN603 M8x30
3	nut cover M8
4	nut DIN985 M8
5	nut cover cap M8
6	bolt DIN603 M10x50
7	nut cover M12
8	washer M10
9	nut DIN985 M10
10	nut cover cap M12
11	corner 58x30
12	metal screw DIN 7380 M8x16

UNLESS OTHERWISE SPECIFIED:  
DIMENSIONS ARE IN MILLIMETERS  
WEIGHT ARE IN KILOGRAMM

	NAME	SIGNATURE	DATE	REVISION
DRAWN	M.Rebase		23.03.2016	
APPV'D				

PART NUMBER / DWG NO.:

LM212

DESCRIPTION:

Play Centre ANNABEL  
connecting slide to platform

MATERIAL:

wood, metal, plastic

A4

WEIGHT:

SCALE: 1:12

SHEET 11 OF 19



**Tiptaptap** OÜ

Tiptaptap OÜ  
Veetorni 9,  
Jüri alevik, Rae vald,  
75301 Harjumaa

A

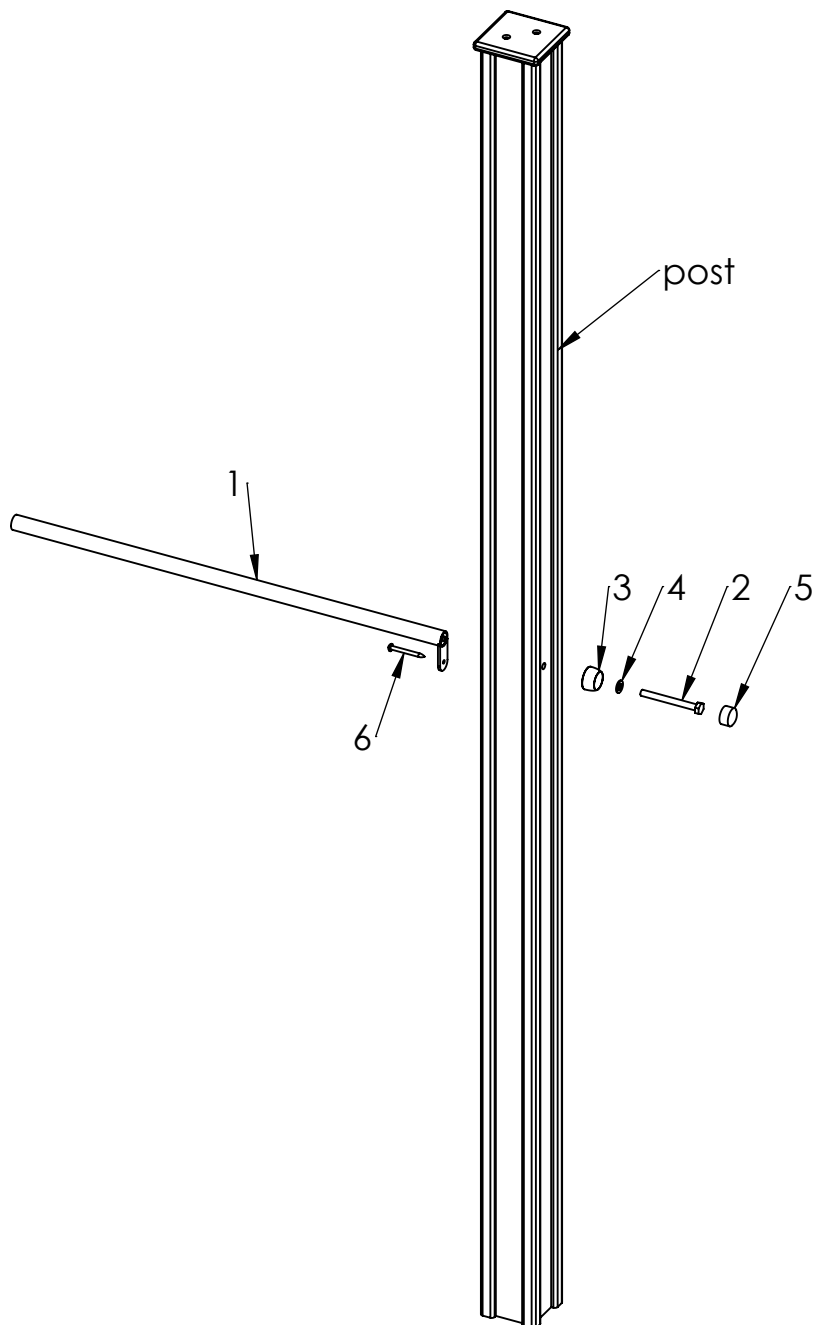
B

C

D

E

F



ITEM NO.	PART NUMBER
1	guardrail $\phi$ 25x770
2	bolt DIN931 M10x100
3	nut cover M12
4	washer M10
5	nut cover cap M12
6	screw DIN7996 6x60

UNLESS OTHERWISE SPECIFIED:  
DIMENSIONS ARE IN MILLIMETERS  
WEIGHT ARE IN KILOGRAMM

	NAME	SIGNATURE	DATE	REVISION
DRAWN	M.Rebase		23.03.2016	
APPV'D				

PART NUMBER / DWG NO.:

LM212  
connecting guardrail to post

DESCRIPTION:

Play Centre ANNABEL

MATERIAL:

wood, metal, plastic

A4

WEIGHT:

SCALE: 1:12

SHEET 12 OF 19



**Tiptaptap** OÜ

Tiptaptap OÜ  
Veetorni 9,  
Jüri alevik, Rae vald,  
75301 Harjumaa

A

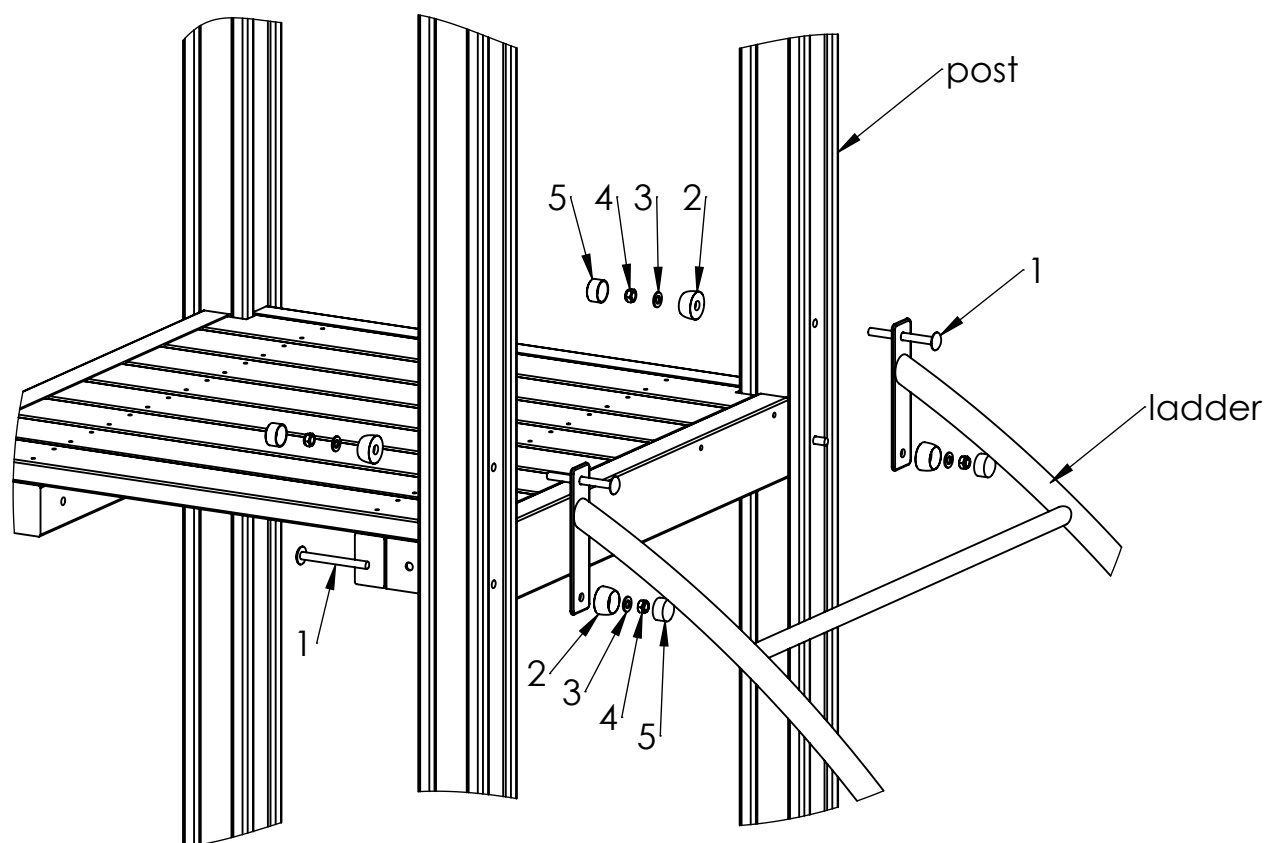
B

C

D

E

F



ITEM NO.	PART NUMBER
1	bolt DIN603 M10x100
2	nut cover M12
3	washer M10
4	nut DIN985 M10
5	nut cover cap M12

UNLESS OTHERWISE SPECIFIED:  
DIMENSIONS ARE IN MILLIMETERS  
WEIGHT ARE IN KILOGRAMM

PART NUMBER / DWG NO.:

LM212

	NAME	SIGNATURE	DATE	REVISION
DRAWN	M.Rebase		23.03.2016	
APPV'D				

DESCRIPTION:

Play Centre ANNABEL  
connecting arch ladder to post

MATERIAL:

wood, metal, plastic

A4

WEIGHT:

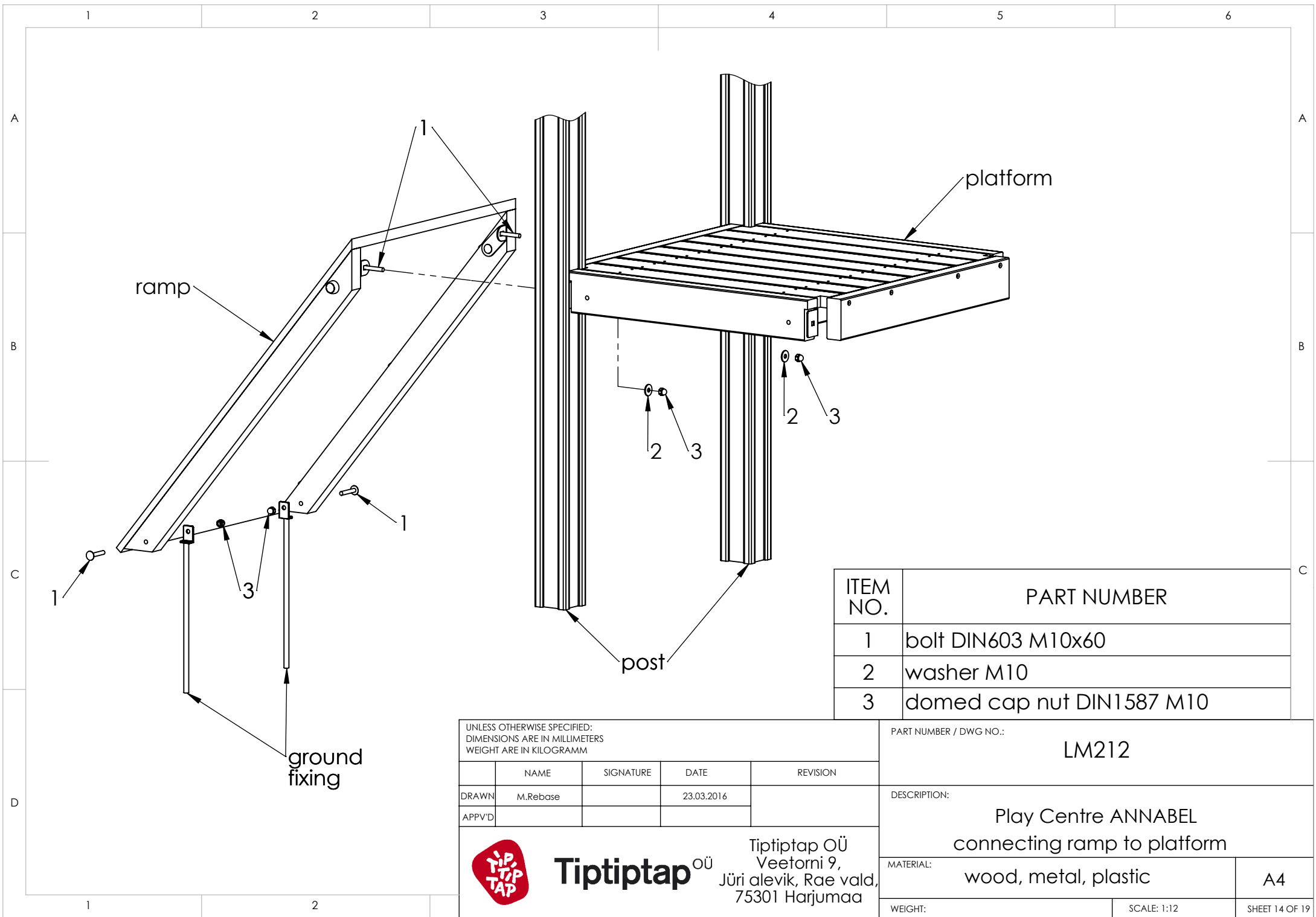
SCALE: 1:10

SHEET 13 OF 19



**Tiptaptap** OÜ

Tiptaptap OÜ  
Veetorni 9,  
Jüri alevik, Rae vald,  
75301 Harjumaa



ITEM NO.	PART NUMBER
1	bolt DIN603 M10x60
2	washer M10
3	domed cap nut DIN1587 M10

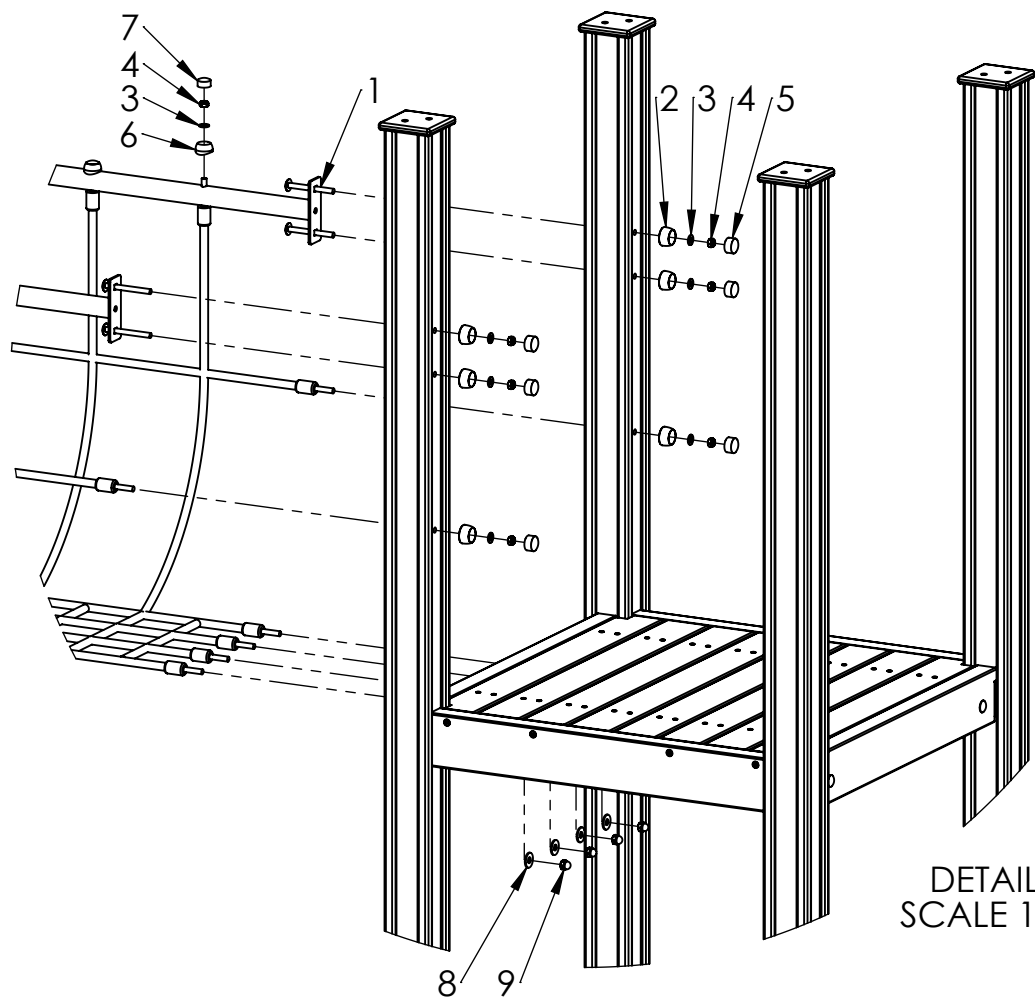
UNLESS OTHERWISE SPECIFIED:  
 DIMENSIONS ARE IN MILLIMETERS  
 WEIGHT ARE IN KILOGRAMM

	NAME	SIGNATURE	DATE	REVISION
DRAWN	M.Rebase		23.03.2016	
APPV'D				

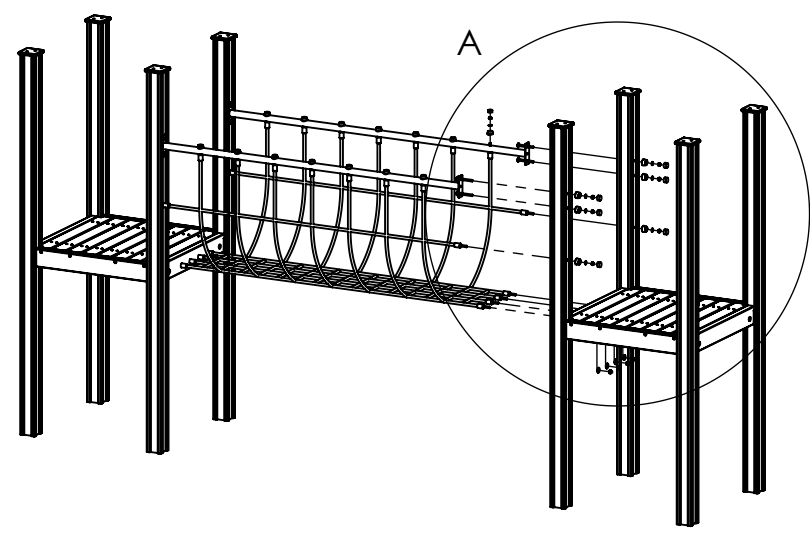


**Tiptaptap** OÜ  
 Tiptaptap OÜ  
 Veetorni 9,  
 Jüri alevik, Rae vald,  
 75301 Harjumaa

PART NUMBER / DWG NO.:		LM212	
DESCRIPTION:			
Play Centre ANNABEL connecting ramp to platform			
MATERIAL:		wood, metal, plastic	A4
WEIGHT:		SCALE: 1:12	SHEET 14 OF 19



DETAIL A  
SCALE 1 : 15



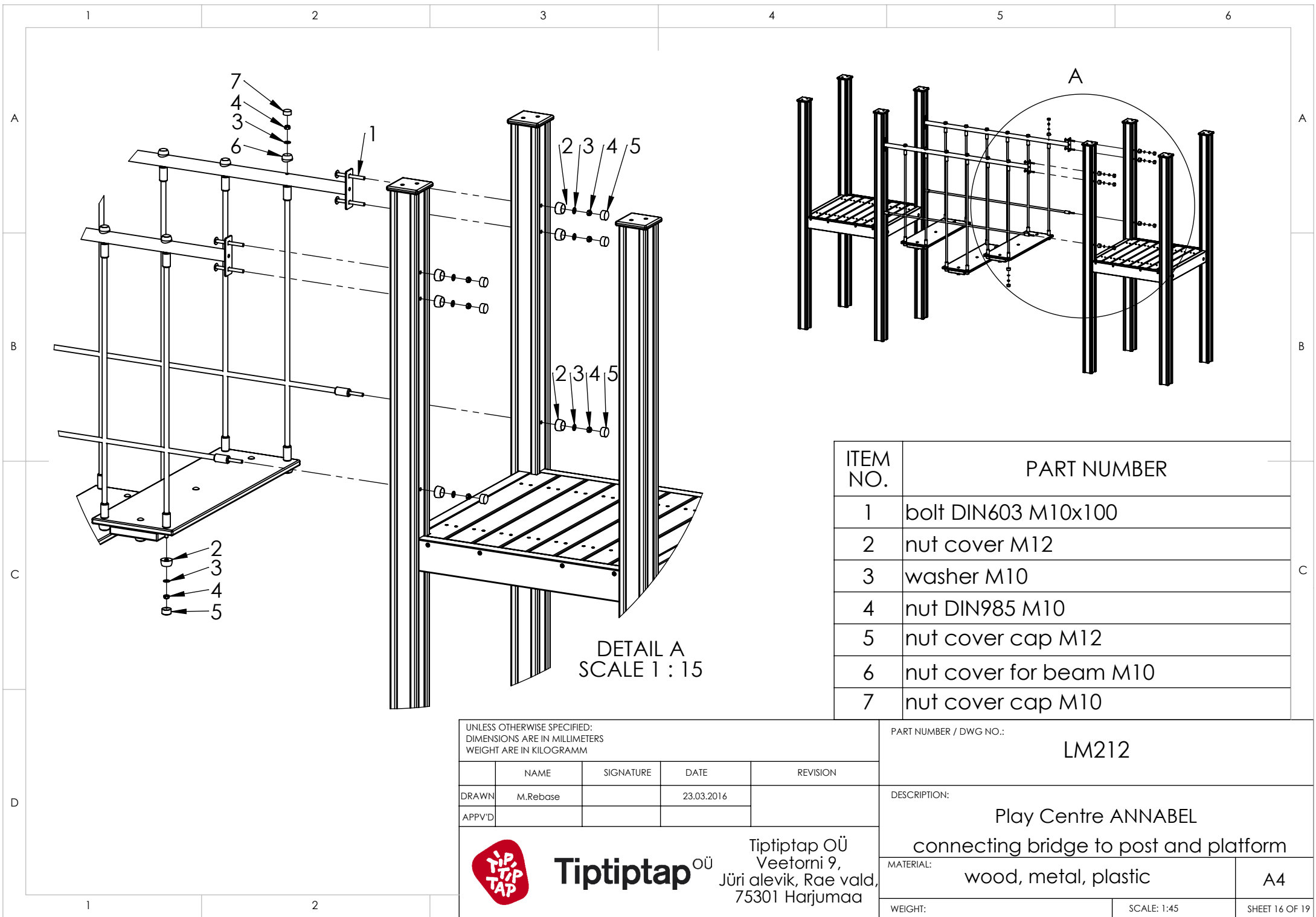
ITEM NO.	PART NUMBER
1	bolt DIN603 M10x100
2	nut cover M12
3	washer M10
4	nut DIN985 M10
5	nut cover cap M12
6	nut cover for beam M10
7	nut cover cap M10
8	washer M12
9	domed cap nut DIN1587 M10

UNLESS OTHERWISE SPECIFIED:  
DIMENSIONS ARE IN MILLIMETERS  
WEIGHT ARE IN KILOGRAMM

	NAME	SIGNATURE	DATE	REVISION
DRAWN	M.Rebase		23.03.2016	
APPV'D				

**Tiptiptap** OÜ  
Tiptiptap OÜ  
Veetorni 9,  
Jüri alevik, Rae vald,  
75301 Harjumaa

PART NUMBER / DWG NO.: <b>LM212</b>	
DESCRIPTION: <b>Play Centre ANNABEL</b> connecting bridge to post and platform	
MATERIAL: wood, metal, plastic	A4
WEIGHT:	SCALE: 1:45
SHEET 15 OF 19	



DETAIL A  
SCALE 1 : 15

ITEM NO.	PART NUMBER
1	bolt DIN603 M10x100
2	nut cover M12
3	washer M10
4	nut DIN985 M10
5	nut cover cap M12
6	nut cover for beam M10
7	nut cover cap M10

UNLESS OTHERWISE SPECIFIED:  
DIMENSIONS ARE IN MILLIMETERS  
WEIGHT ARE IN KILOGRAMM

	NAME	SIGNATURE	DATE	REVISION
DRAWN	M.Rebase		23.03.2016	
APPV'D				

PART NUMBER / DWG NO.:  
**LM212**

DESCRIPTION:  
**Play Centre ANNABEL**  
**connecting bridge to post and platform**



**Tiptaptap** OÜ  
Tiptaptap OÜ  
Veetorni 9,  
Jüri alevik, Rae vald,  
75301 Harjumaa

MATERIAL:	wood, metal, plastic	A4
WEIGHT:	SCALE: 1:45	SHEET 16 OF 19



A

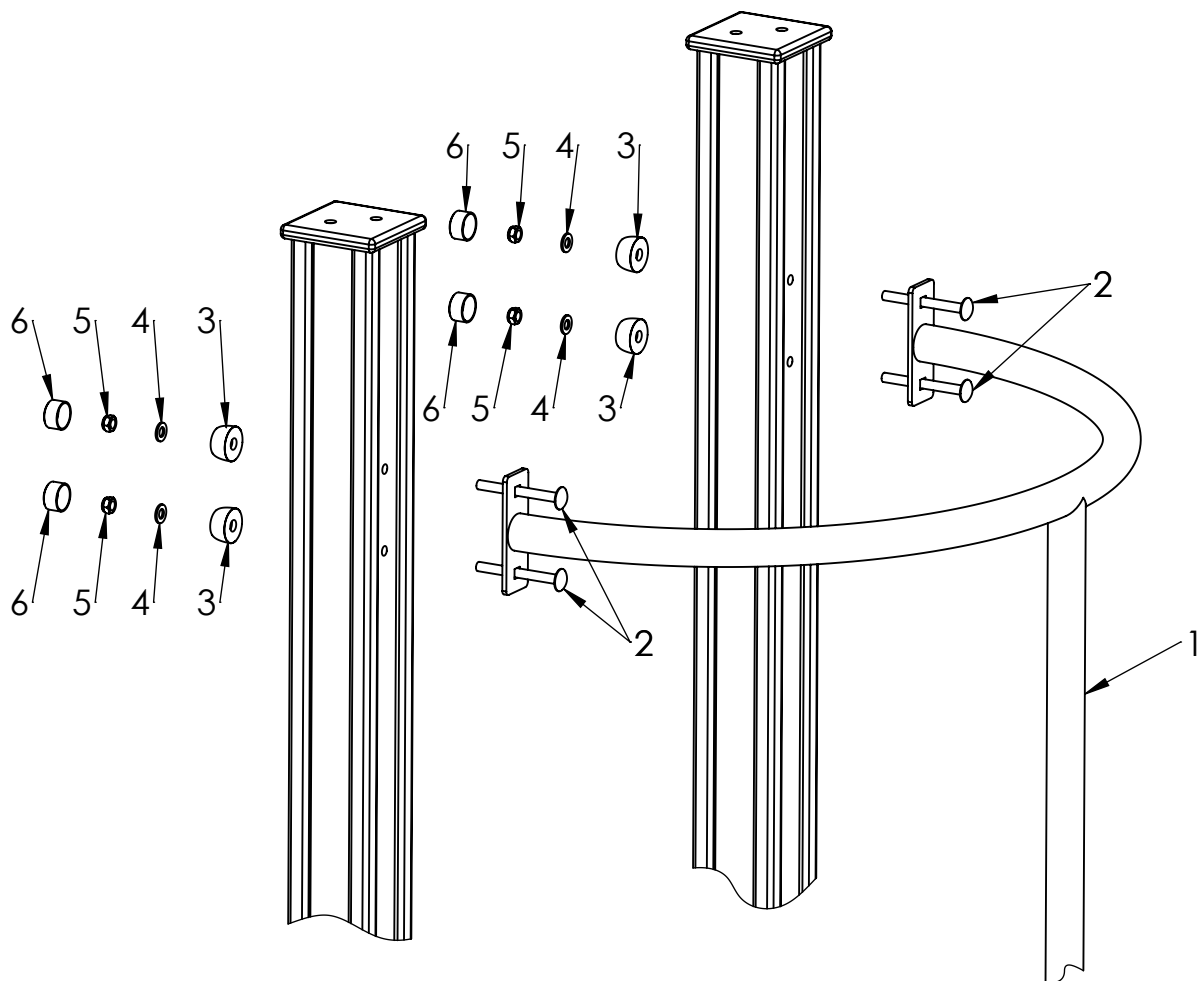
B

C

D

E

F



ITEM NO.	PART NUMBER
1	climbing pole
2	bolt DIN603 M10x100
3	nut cover M12
4	washer M10
5	nut DIN985 M10
6	nut cover cap M12

UNLESS OTHERWISE SPECIFIED:  
DIMENSIONS ARE IN MILLIMETERS  
WEIGHT ARE IN KILOGRAMM

PART NUMBER / DWG NO.:

LM212

	NAME	SIGNATURE	DATE	REVISION
DRAWN	M.Rebase		23.03.2016	
APPV'D				

DESCRIPTION:

Play Centre ANNABEL  
connecting climbing pole to post

MATERIAL:

wood, metal, plastic

A4

WEIGHT:

SCALE: 1:8

SHEET 17 OF 19



**Tiptiptap** OÜ

Tiptiptap OÜ  
Veetorni 9,  
Jüri alevik, Rae vald,  
75301 Harjumaa

A

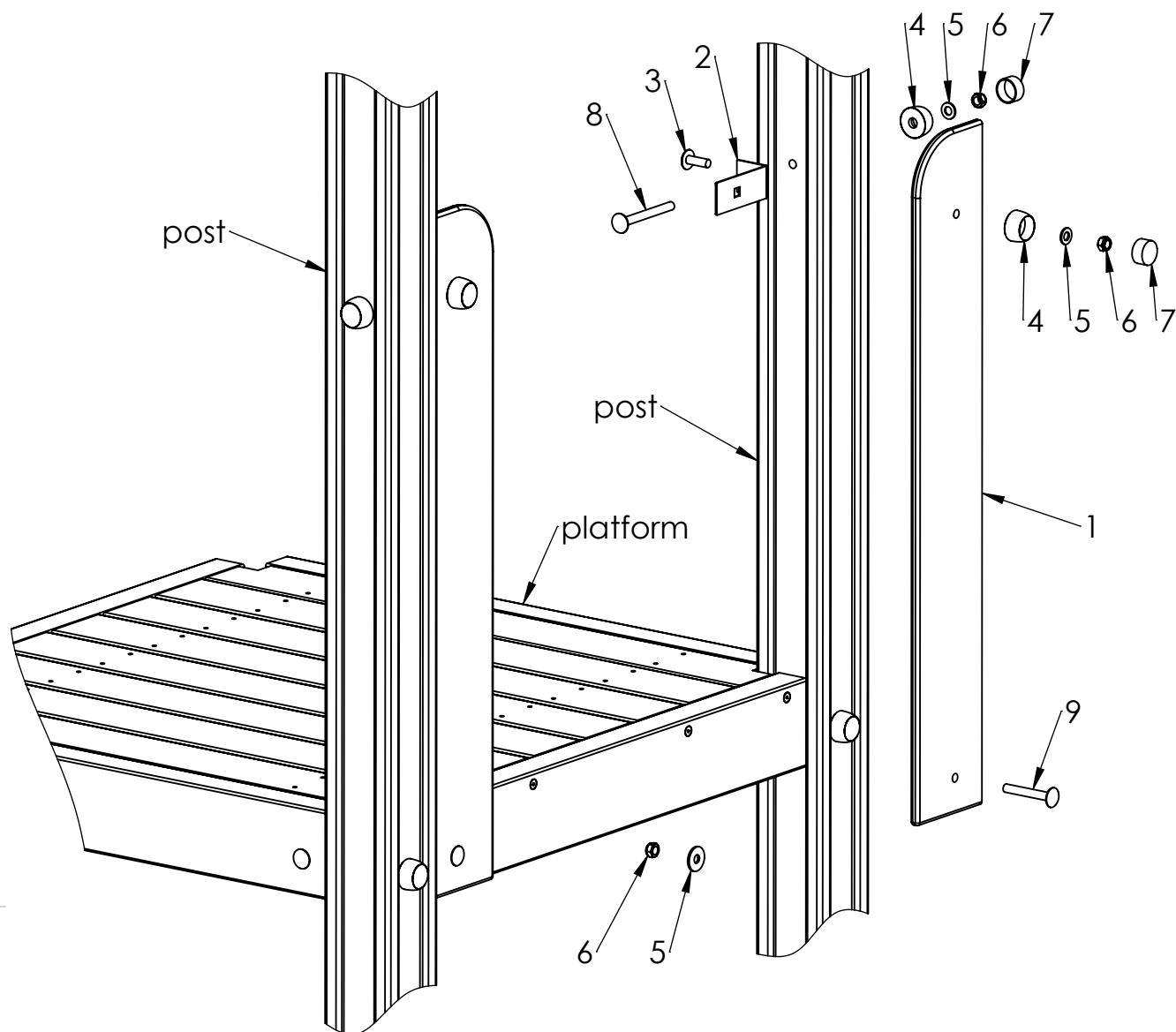
B

C

D

E

F



ITEM NO.	PART NUMBER
1	panel 850x126
2	slide side panel fixing 40x100
3	bolt DIN603 M10x30
4	nut cover M12
5	washer M10
6	nut DIN985 M10
7	nut cover cap M12
8	bolt DIN603 M10x100
9	bolt DIN603 M10x70

UNLESS OTHERWISE SPECIFIED:  
DIMENSIONS ARE IN MILLIMETERS  
WEIGHT ARE IN KILOGRAMM

PART NUMBER / DWG NO.:

LM212

	NAME	SIGNATURE	DATE	REVISION
DRAWN	M.Rebase		23.03.2016	
APPV'D				

DESCRIPTION:

Play Centre ANNABEL  
connecting climbing pole side panel to post

MATERIAL:

wood, metal, plastic

A4

WEIGHT:

SCALE: 1:8

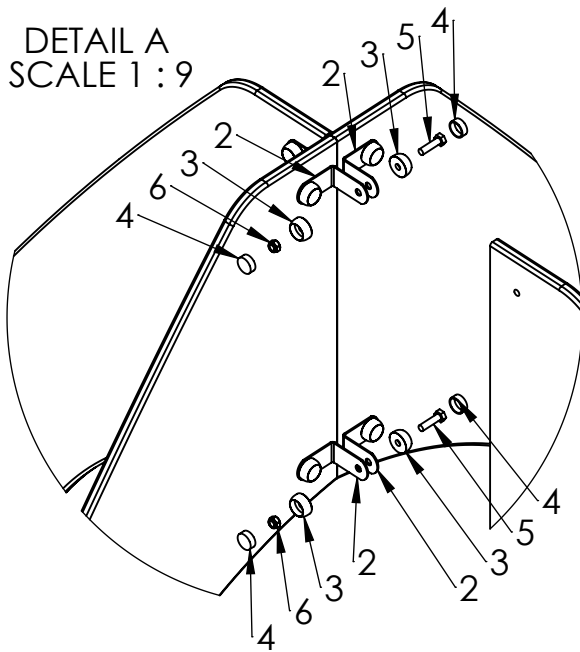
SHEET 18 OF 19



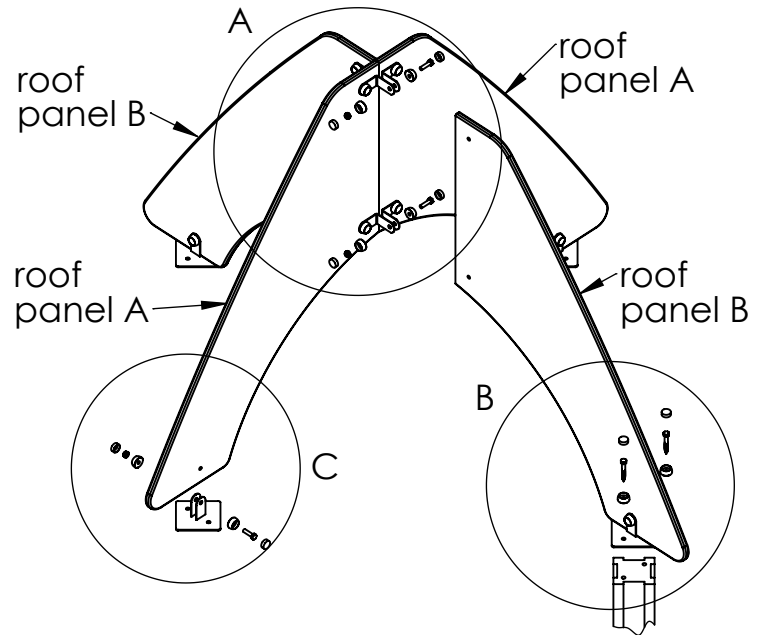
**Tiptaptap** OÜ

Tiptaptap OÜ  
Veetorni 9,  
Jüri alevik, Rae vald,  
75301 Harjumaa

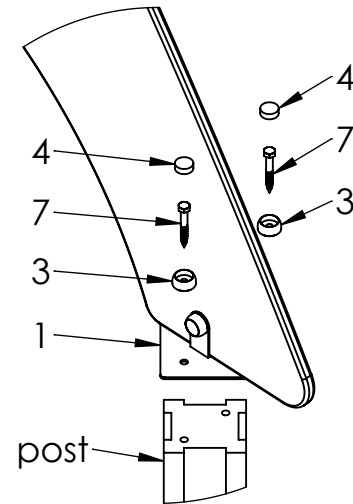
A

DETAIL A  
SCALE 1 : 9

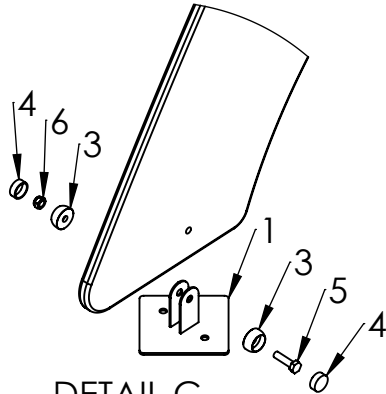
B



C

DETAIL B  
SCALE 1 : 9

D

DETAIL C  
SCALE 1 : 9

E

ITEM NO.	PART NUMBER
1	roof fixture
2	corner 60x60
3	nut cover M8
4	nut cover cap M8
5	bolt DIN933 M8x30
6	nut DIN985 M8
7	wood screw DIN571 8x60

F

UNLESS OTHERWISE SPECIFIED:  
DIMENSIONS ARE IN MILLIMETERS  
WEIGHT ARE IN KILOGRAMM

	NAME	SIGNATURE	DATE	REVISION
DRAWN	M.Rebase		23.03.2016	
APPV'D				



**Tiptap** OÜ

Tiptap OÜ  
Veetorni 9,  
Jüri alevik, Rae vald,  
75301 Harjumaa

PART NUMBER / DWG NO.:

LM212

DESCRIPTION:

Play Centre ANNABEL  
connecting roof to post

MATERIAL:

wood, metal, plastic

A4

WEIGHT:

SCALE: 1:18

SHEET 19 OF 19