

A

B

C

D

E

F



UNLESS OTHERWISE SPECIFIED:
 DIMENSIONS ARE IN MILLIMETERS
 WEIGHT ARE IN KILOGRAMM

PART NUMBER / DWG NO.:

LM212 MF

	NAME	SIGNATURE	DATE	REVISION
DRAWN	R.Fedotov		04.10.2017	
APPV'D				

DESCRIPTION:

Play Centre ANNABEL



Tiptaptap OÜ

Tiptaptap OÜ
 Veetorni 9,
 Jüri alevik, Rae vald,
 75301 Harjumaa

MATERIAL:

wood, metal, plastic

A4

WEIGHT:

SCALE: 1:35

SHEET 1 OF 19

safety area

A

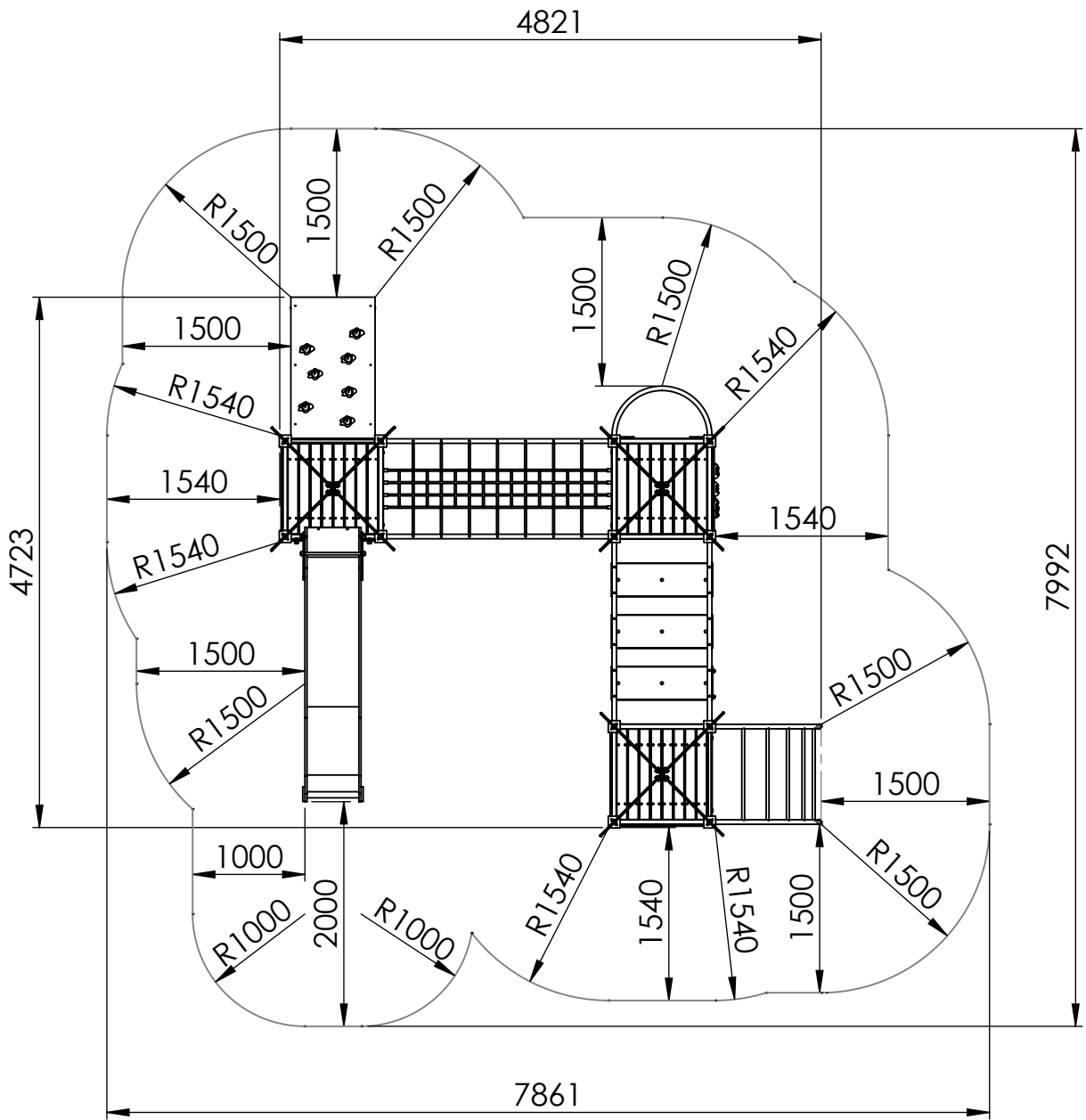
B

C

D

E

F



UNLESS OTHERWISE SPECIFIED:
DIMENSIONS ARE IN MILLIMETERS
WEIGHT ARE IN KILOGRAMM

PART NUMBER / DWG NO.:

LM212 MF

	NAME	SIGNATURE	DATE	REVISION
DRAWN	R.Fedotov		04.10.2017	
APPV'D				

DESCRIPTION:

Play Centre ANNABEL



Tiptaptap OÜ

Tiptaptap OÜ
Veetorni 9,
Jüri alevik, Rae vald,
75301 Harjumaa

MATERIAL:

wood, metal, plastic

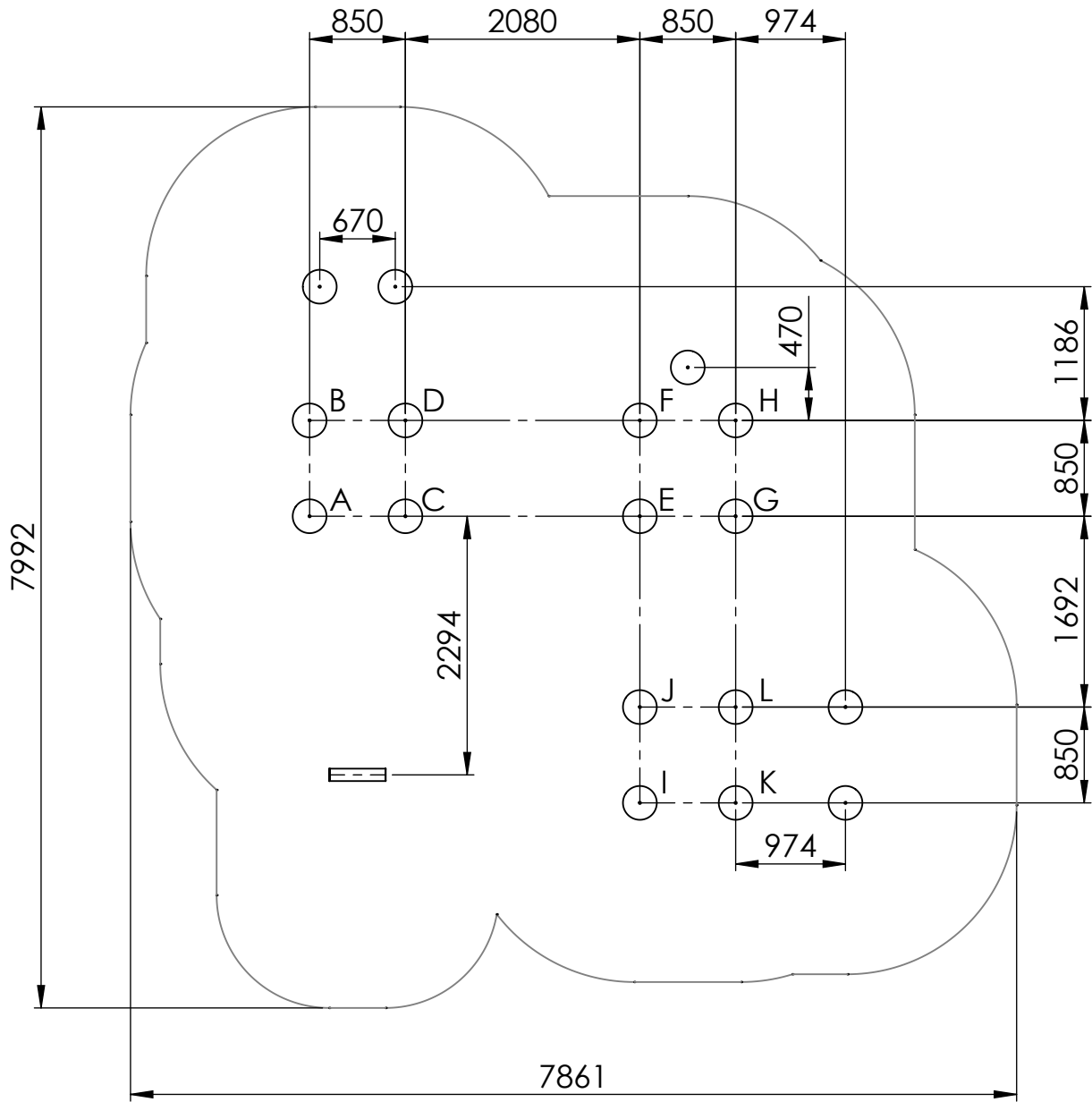
A4

WEIGHT:

SCALE: 1:60

SHEET 2 OF 19

foundation



UNLESS OTHERWISE SPECIFIED:
DIMENSIONS ARE IN MILLIMETERS
WEIGHT ARE IN KILOGRAMM

PART NUMBER / DWG NO.:

LM212 MF

	NAME	SIGNATURE	DATE	REVISION
DRAWN	R.Fedotov		04.10.2017	
APPV'D				

DESCRIPTION:

Play Centre ANNABEL



Tiptiptap OÜ

Tiptiptap OÜ
Veetorni 9,
Jüri alevik, Rae vald,
75301 Harjumaa

MATERIAL:

wood, metal, plastic

A4

WEIGHT:

SCALE: 1:60

SHEET 3 OF 19

A

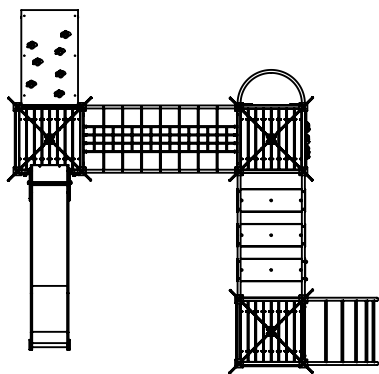
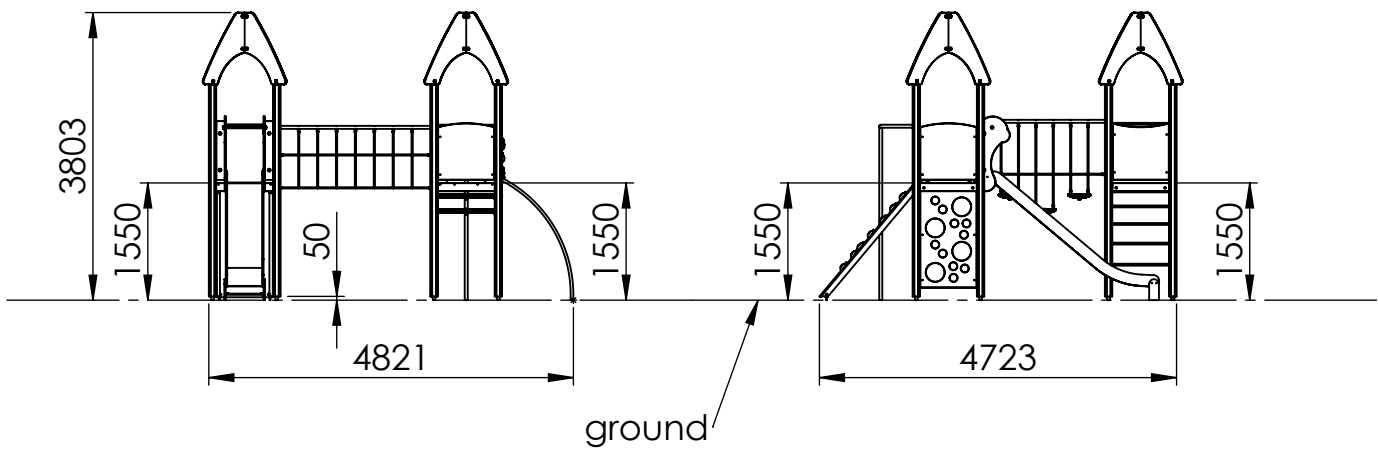
B

C

D

E

F



UNLESS OTHERWISE SPECIFIED:
 DIMENSIONS ARE IN MILLIMETERS
 WEIGHT ARE IN KILOGRAMM

PART NUMBER / DWG NO.:

LM212 MF

	NAME	SIGNATURE	DATE	REVISION
DRAWN	R.Fedotov		04.10.2017	
APPV'D				

DESCRIPTION:

Play Centre ANNABEL



Tiptaptap OÜ

Tiptaptap OÜ
 Veetorni 9,
 Jüri alevik, Rae vald,
 75301 Harjumaa

MATERIAL:

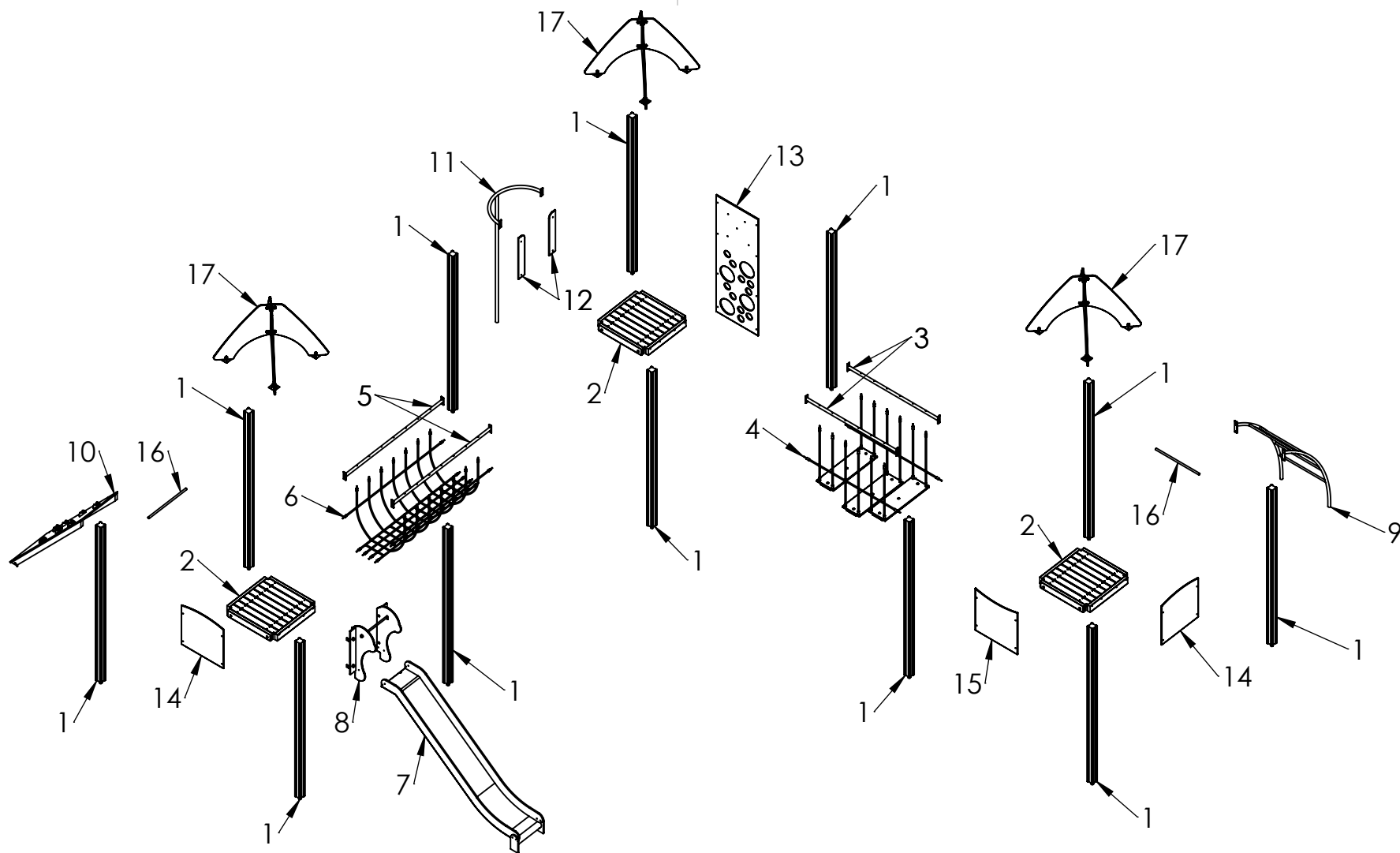
wood, metal, plastic

A4

WEIGHT:

SCALE: 1:100

SHEET 4 OF 19



UNLESS OTHERWISE SPECIFIED:
 DIMENSIONS ARE IN MILLIMETERS
 WEIGHT ARE IN KILOGRAMM

	NAME	SIGNATURE	DATE	REVISION
DRAWN	R.Fedotov		23.03.2016	
APPV'D				



Tiptaptap OÜ
 Tiptaptap OÜ
 Veetorni 9,
 Jüri alevik, Rae vald,
 75301 Harjumaa

PART NUMBER / DWG NO.:
LM212 MF

DESCRIPTION:
Play Centre ANNABEL

MATERIAL: wood, metal, plastic

WEIGHT: SCALE: 1:80 SHEET 5 OF 19

ITEM NO.	PART NUMBER	DESCRIPTION	QTY.
1	post 98x98x2800	Painted aluminium	12
2	platform	laminated wood, metal	3
3	beam 40x1612, 6 holes	painting steel	2
4	bridge	plywood, metal	1
5	beam 40x2000, 7 holes	painting steel	2
6	rope bridge	PP covered steel wire	1
7	slide h_1550	stainless steel, HDPE plastic	1
8	slide guard block	HDPE plastic, metal	1
9	arch ladder	galvanized painting steel	1
10	ramp with climbing grips	HDPE plastic	1
11	climbing pole	painting steel	1
12	panel 740x126	HDPE plastic	2
13	climbing wall h_750x2100	HDPE plastic	1
14	panel 750x750	HDPE plastic	2
15	panel 750x750	HDPE plastic	1
16	guardrail Ø25x770	painting steel	2
17	roof	HDPE plastic	3



UNLESS OTHERWISE SPECIFIED:
DIMENSIONS ARE IN MILLIMETERS
WEIGHT ARE IN KILOGRAMM

PART NUMBER / DWG NO.:
LM212 MF

	NAME	SIGNATURE	DATE	REVISION
DRAWN	R.Fedotov		23.03.2016	
APPV'D				

DESCRIPTION:
Play Centre ANNABEL



Tiptiptap OÜ
Veetorni 9,
Jüri alevik, Rae vald,
75301 Harjumaa

MATERIAL:	wood, metal, plastic	A4
WEIGHT:	SCALE: 1:80	SHEET 6 OF 19

A

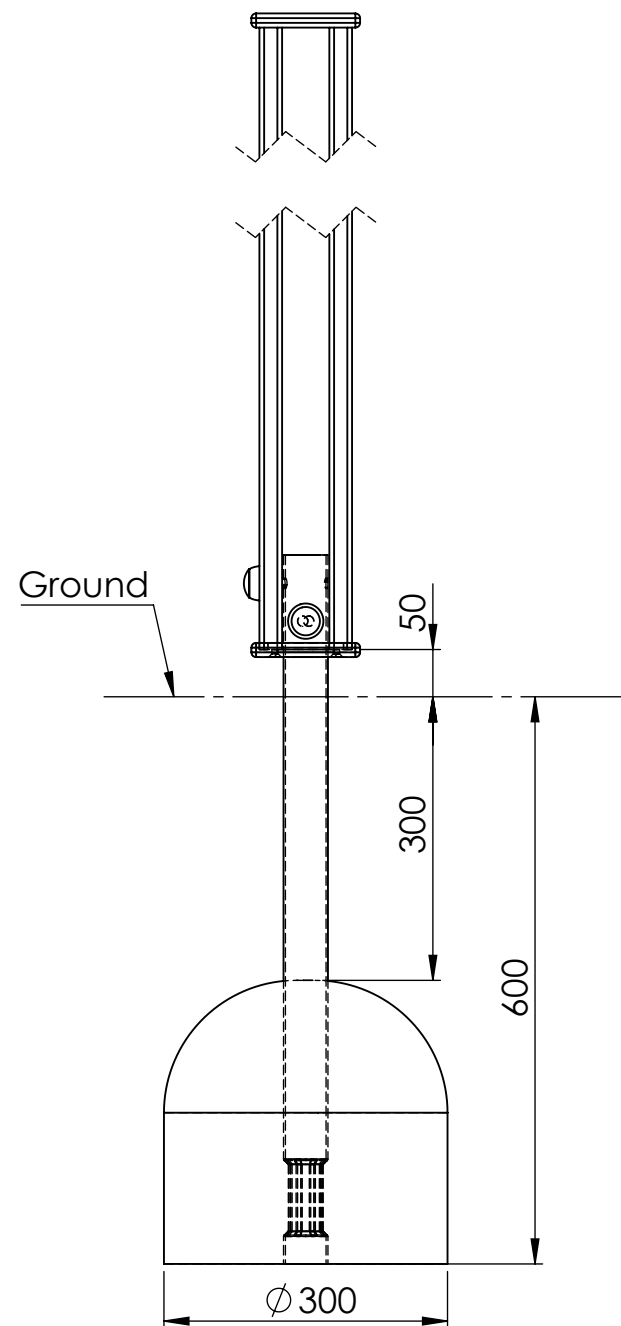
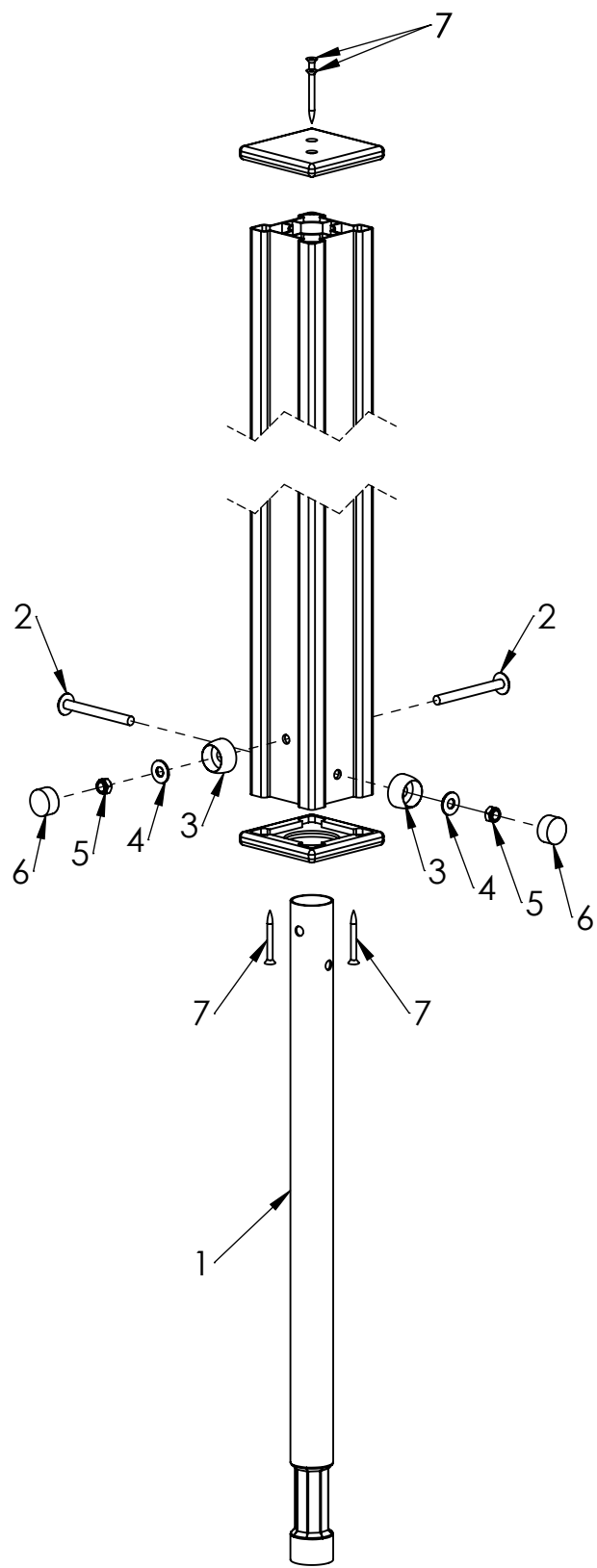
B

C

D

E

F



ITEM NO.	PART NUMBER
1	metal ground fixing L_750
2	bolt DIN603 M10x100
3	nut cover M12
4	Washer M10 DIN7349
5	nut DIN985 M10
6	nut cover cap M12
7	woodscrew 6x60

UNLESS OTHERWISE SPECIFIED:
 DIMENSIONS ARE IN MILLIMETERS
 WEIGHT ARE IN KILOGRAMM

	NAME	SIGNATURE	DATE	REVISION
DRAWN	R.Fedotov		04.10.2017	
APPV'D				

PART NUMBER / DWG NO.:
LM212 MF

DESCRIPTION:
Play Centre ANNABEL
connecting metal ground fixing to aluminium post



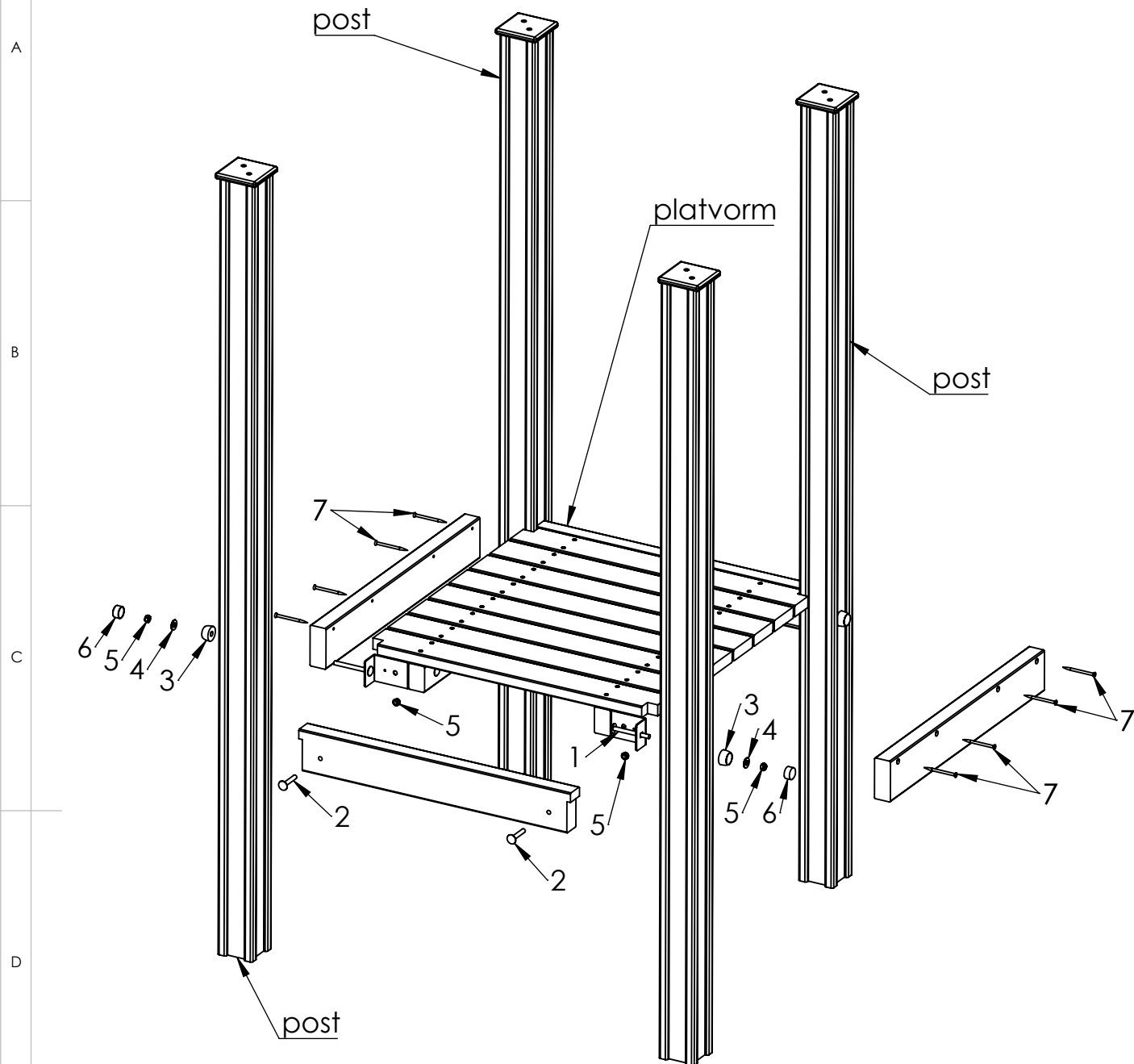
Tiptaptap OÜ

Tiptaptap OÜ
 Veetorni 9,
 Jüri alevik, Rae vald,
 75301 Harjumaa

MATERIAL: wood, metal, plastic

A4

WEIGHT: SCALE: 1:8 SHEET 7 OF 19



ITEM NO.	PART NUMBER
1	bolt DIN603 M10x100
2	bolt DIN603 M10x60
3	nut cover M12
4	Washer M10 DIN7349
5	nut DIN985 M10
6	nut cover cap M12
7	Woodscrew 6 x 90

UNLESS OTHERWISE SPECIFIED:
DIMENSIONS ARE IN MILLIMETERS
WEIGHT ARE IN KILOGRAMM

PART NUMBER / DWG NO.:

LM212 MF

	NAME	SIGNATURE	DATE	REVISION
DRAWN	R.Fedotov		23.03.2016	
APPV'D				

DESCRIPTION:

Play Centre ANNABEL
connecting platform to post

MATERIAL:

wood, metal, plastic

A4

WEIGHT:

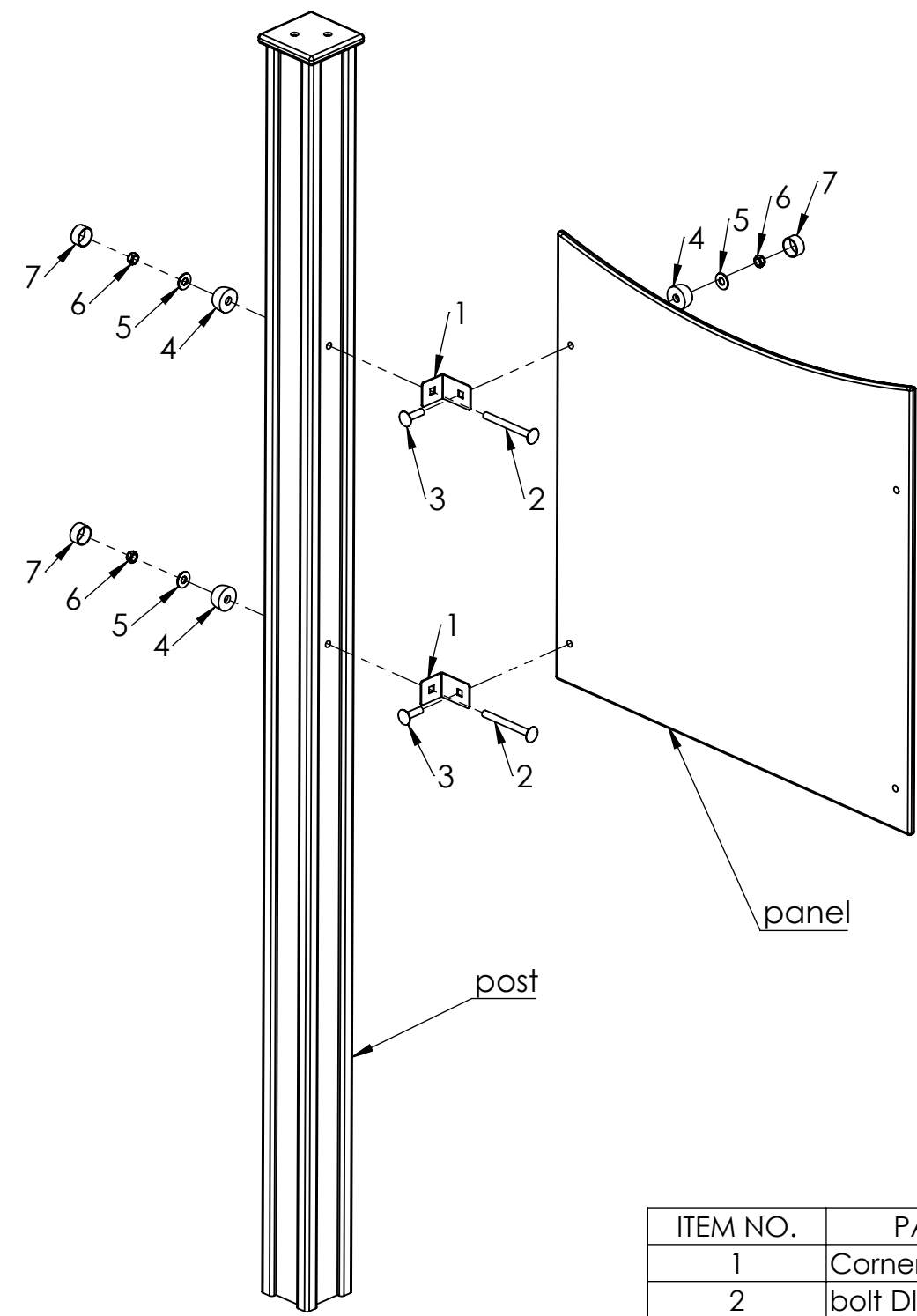
SCALE: 1:15

SHEET 8 OF 19



Tiptaptap OÜ

Tiptaptap OÜ
Veetorni 9,
Jüri alevik, Rae vald,
75301 Harjumaa



ITEM NO.	PART NUMBER
1	Corner 90° (45x60)
2	bolt DIN603 M10x100
3	bolt DIN603 M10x35
4	nut cover M12
5	Washer M10 DIN7349
6	nut DIN985 M10
7	nut cover cap M12

UNLESS OTHERWISE SPECIFIED:
DIMENSIONS ARE IN MILLIMETERS
WEIGHT ARE IN KILOGRAMM

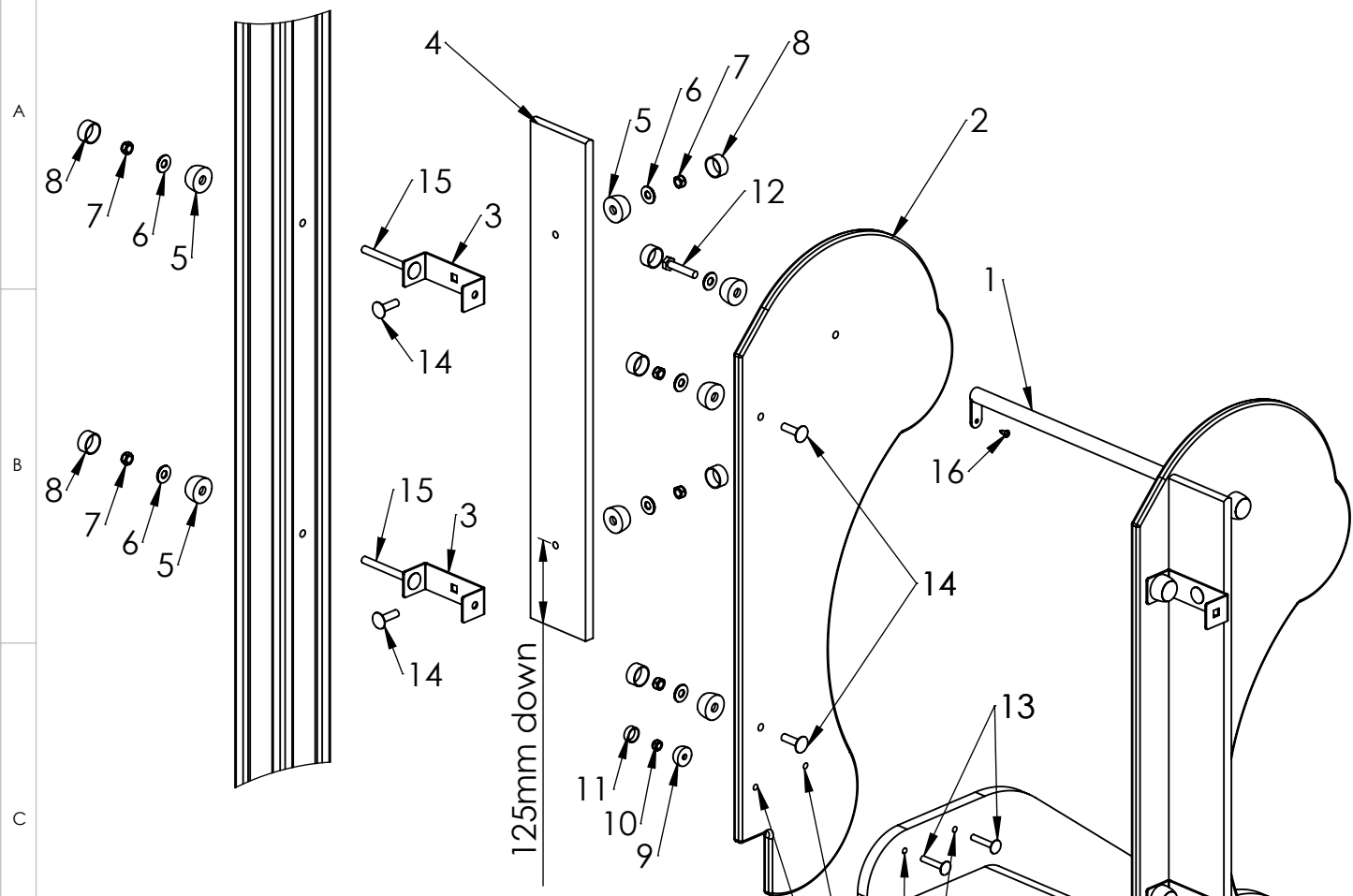
PART NUMBER / DWG NO.:
LM212 MF

	NAME	SIGNATURE	DATE	REVISION
DRAWN	R.Fedotov		04.10.2017	
APPV'D				

DESCRIPTION:
**Play Centre ANNABEL
connecting panel to post**

 **Tiptaptap** OÜ
Tiptaptap OÜ
Veetorni 9,
Jüri alevik, Rae vald,
75301 Harjumaa

MATERIAL:	wood, metal, plastic	A4
WEIGHT:	SCALE: 1:10	SHEET 9 OF 19



it is important to drill 8,5mm holes through panel and slide.

ITEM NO.	PART NUMBER
1	slide guardrail
2	slide side panel
3	slide side panel fixing (45x123x45)
4	side panel 110x780
5	nut cover M12
6	Washer M10 DIN7349
7	nut DIN985 M10
8	nut cover cap M12
9	nut cover M8
10	nut DIN985 M8
11	nut cover cap M8
12	bolt DIN931 M10x50
13	bolt DIN603 M8x45
14	bolt DIN603 M10x35
15	bolt DIN603 M10x100
16	wood screw 4,8x13

UNLESS OTHERWISE SPECIFIED:
DIMENSIONS ARE IN MILLIMETERS
WEIGHT ARE IN KILOGRAMM

PART NUMBER / DWG NO.:

LM212 MF

	NAME	SIGNATURE	DATE	REVISION
DRAWN	R.Fedotov		04.10.2017	
APPV'D				

DESCRIPTION:

Play Centre ANNABEL
Connecting slide guard block to post

MATERIAL:

wood, metal, plastic

A4

WEIGHT:

SCALE: 1:10

SHEET 10 OF 19



Tiptiptap OÜ

Tiptiptap OÜ
Veetorni 9,
Jüri alevik, Rae vald,
75301 Harjumaa

A

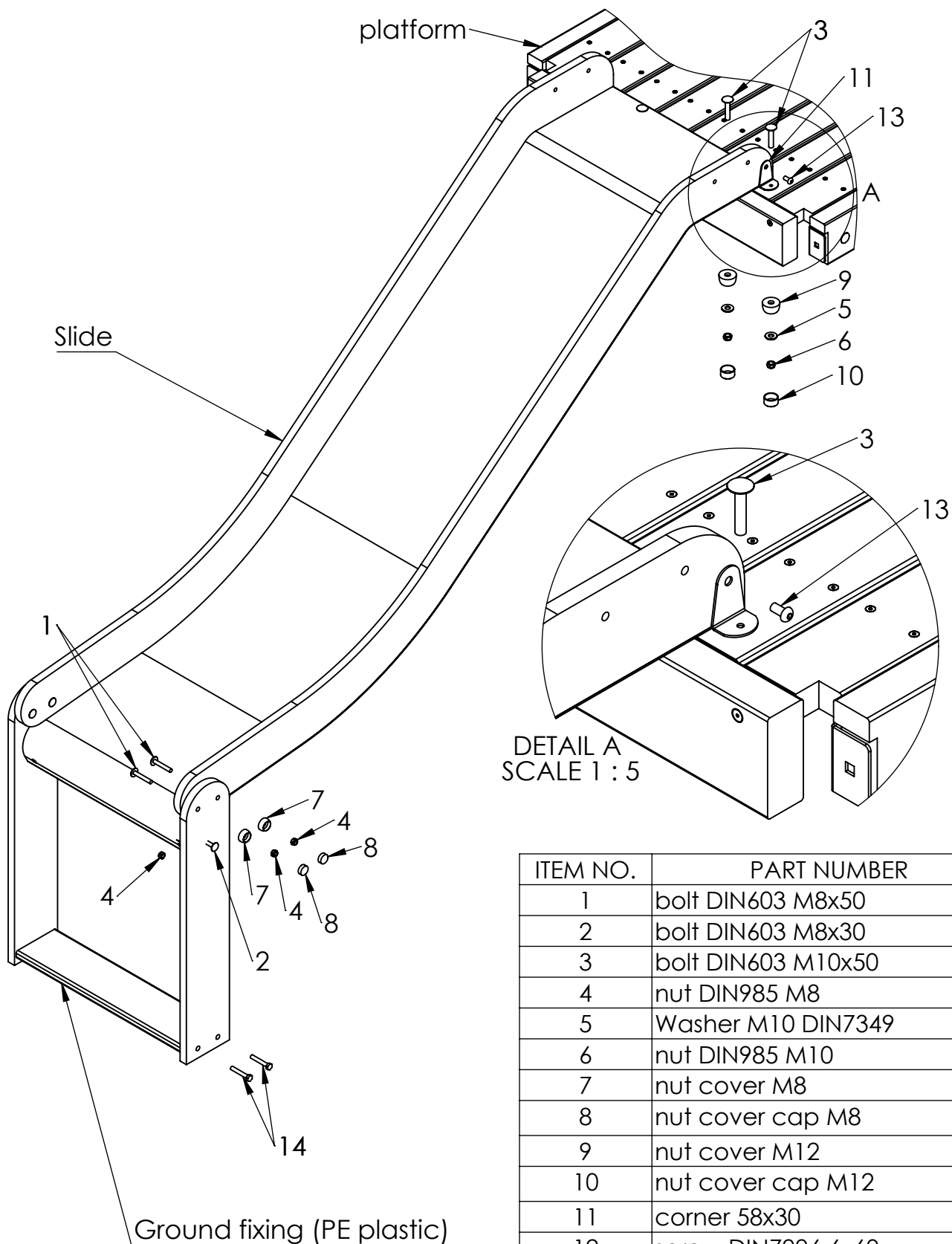
B

C

D

E

F



DETAIL A
SCALE 1 : 5

ITEM NO.	PART NUMBER
1	bolt DIN603 M8x50
2	bolt DIN603 M8x30
3	bolt DIN603 M10x50
4	nut DIN985 M8
5	Washer M10 DIN7349
6	nut DIN985 M10
7	nut cover M8
8	nut cover cap M8
9	nut cover M12
10	nut cover cap M12
11	corner 58x30
12	screw DIN7996 6x60
13	metal screw DIN 7380 M8x16
14	bolt DIN933 M8x50

UNLESS OTHERWISE SPECIFIED:
DIMENSIONS ARE IN MILLIMETERS
WEIGHT ARE IN KILOGRAMM

PART NUMBER / DWG NO.:

LM212 MF

	NAME	SIGNATURE	DATE	REVISION
DRAWN	R.Fedotov		04.10.2017	
APPV'D				

DESCRIPTION:

Play Centre ANNABEL
connecting slide to platform



Tiptap OÜ

Tiptap OÜ
Veetorni 9,
Jüri alevik, Rae vald,
75301 Harjumaa

MATERIAL:

wood, metal, plastic

A4

WEIGHT:

SCALE: 1:12

SHEET 11 OF 19

A

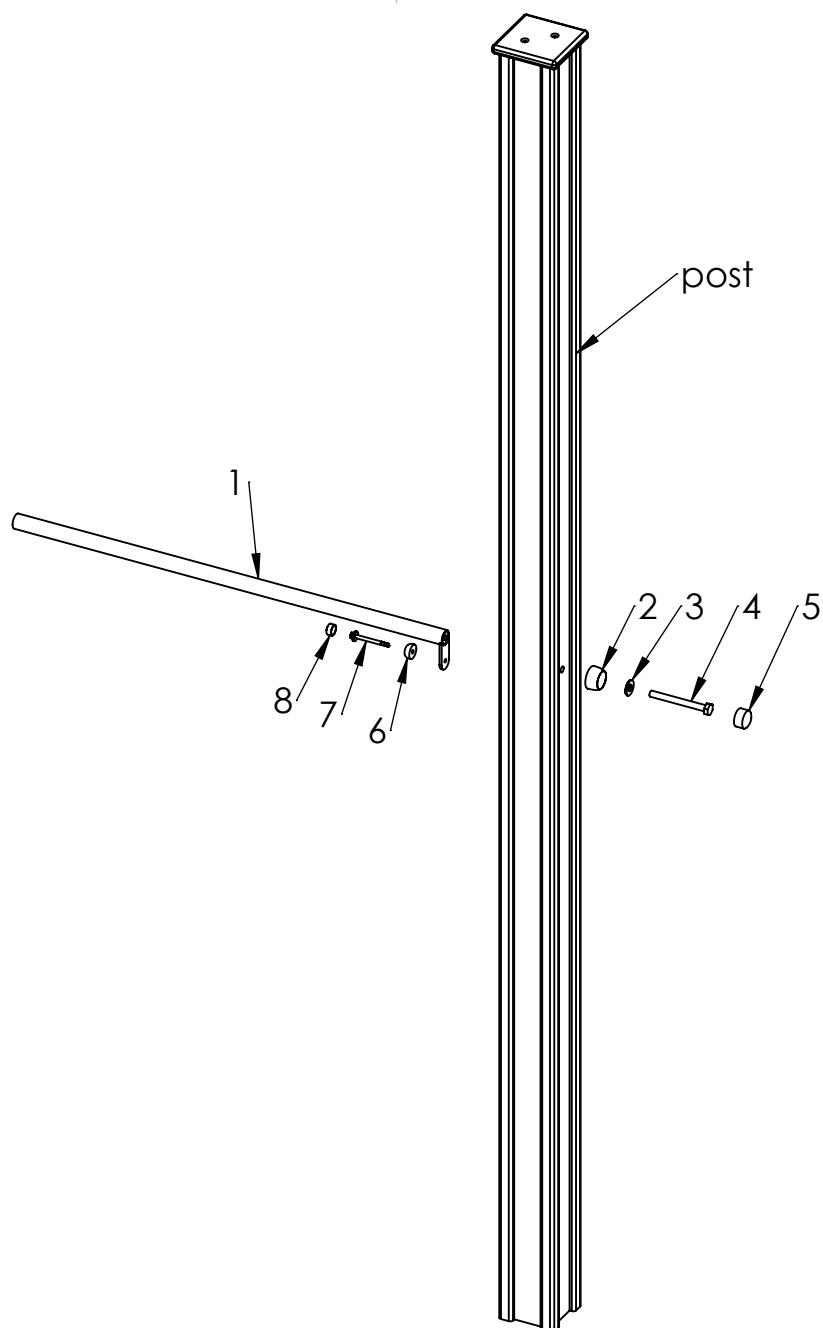
B

C

D

E

F



ITEM NO.	PART NUMBER
1	guardrail ϕ 25x770
2	nut cover M12
3	Washer M10 DIN7349
4	bolt DIN931 M10x100
5	nut cover cap M12
6	nut cover M6
7	screw DIN7504K 5,5x68
8	nut cover cap M6

UNLESS OTHERWISE SPECIFIED:
DIMENSIONS ARE IN MILLIMETERS
WEIGHT ARE IN KILOGRAMM

PART NUMBER / DWG NO.:

LM212 MF

	NAME	SIGNATURE	DATE	REVISION
DRAWN	R.Fedotov		23.03.2016	
APPV'D				

DESCRIPTION:

Play Centre ANNABEL
connecting guardrail to post

MATERIAL:

wood, metal, plastic

A4

WEIGHT:

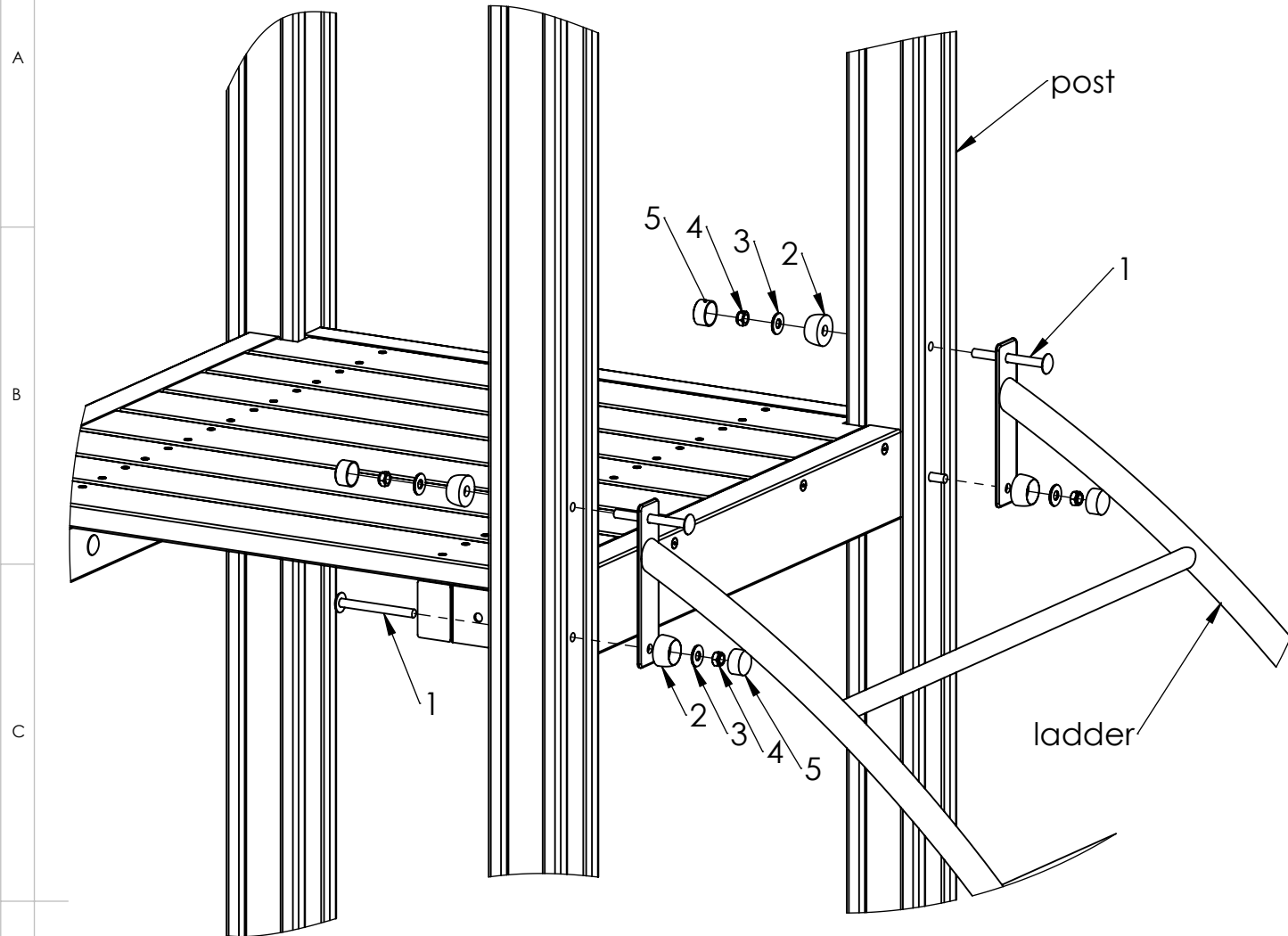
SCALE: 1:12

SHEET 12 OF 19



Tiptiptap OÜ

Tiptiptap OÜ
Veetorni 9,
Jüri alevik, Rae vald,
75301 Harjumaa



ITEM NO.	PART NUMBER
1	bolt DIN603 M10x100
2	nut cover M12
3	Washer M10 DIN7349
4	nut DIN985 M10
5	nut cover cap M12

UNLESS OTHERWISE SPECIFIED:
DIMENSIONS ARE IN MILLIMETERS
WEIGHT ARE IN KILOGRAMM

PART NUMBER / DWG NO.:

LM212 MF

	NAME	SIGNATURE	DATE	REVISION
DRAWN	R.Fedotov		23.03.2016	
APPV'D				

DESCRIPTION:

Play Centre ANNABEL
connecting arch ladder to post

MATERIAL:

wood, metal, plastic

A4

WEIGHT:

SCALE: 1:10

SHEET 13 OF 19



Tiptaptap OÜ

Tiptaptap OÜ
Veetorni 9,
Jüri alevik, Rae vald,
75301 Harjumaa

A

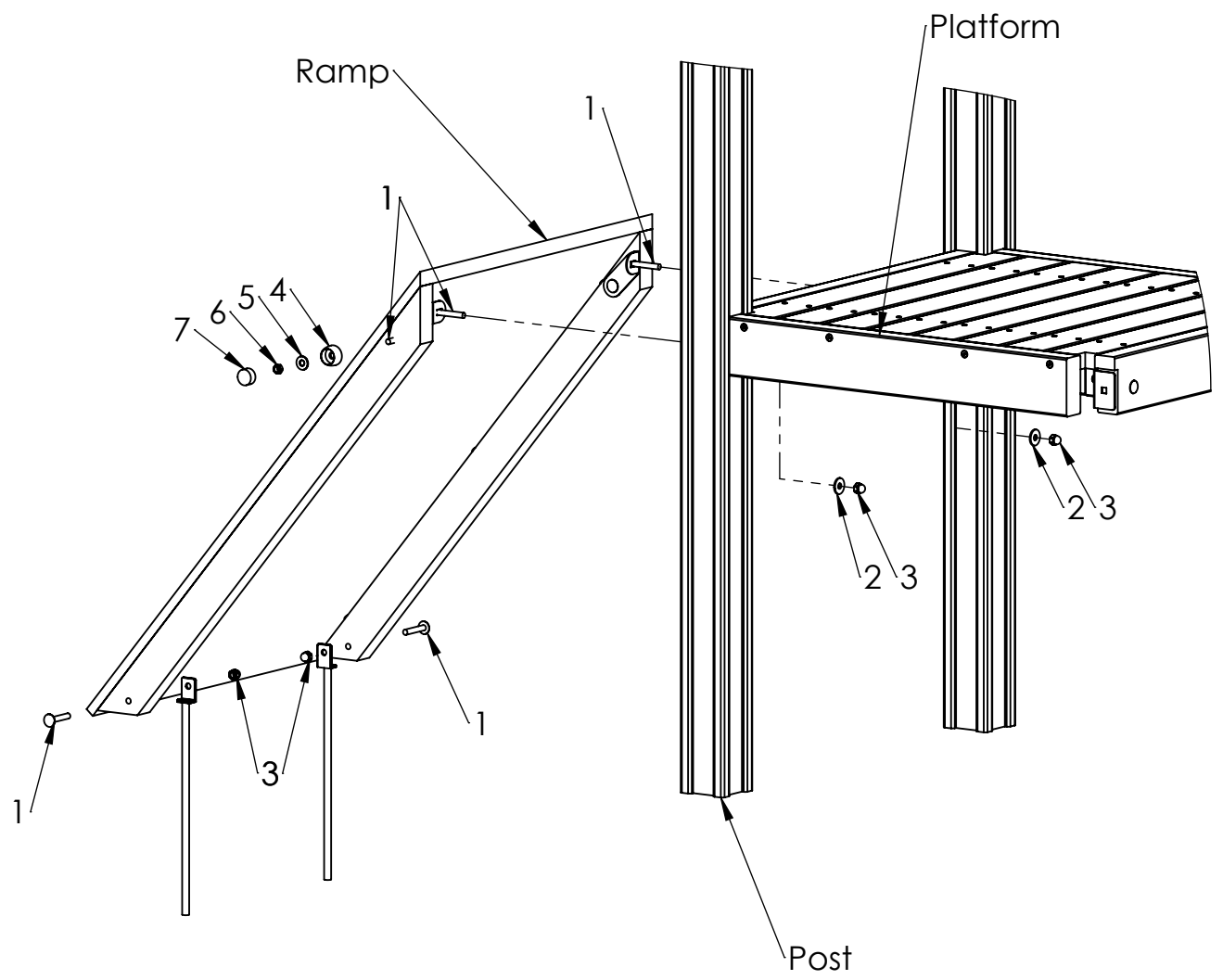
B

C

D

E

F



ITEM NO.	PART NUMBER
1	bolt DIN603 M10x60
2	washer M10 DIN9021
3	domed cap nut DIN986 M10
4	nut cover M12
5	Washer M10 DIN7349
6	nut DIN985 M10
7	nut cover cap M12

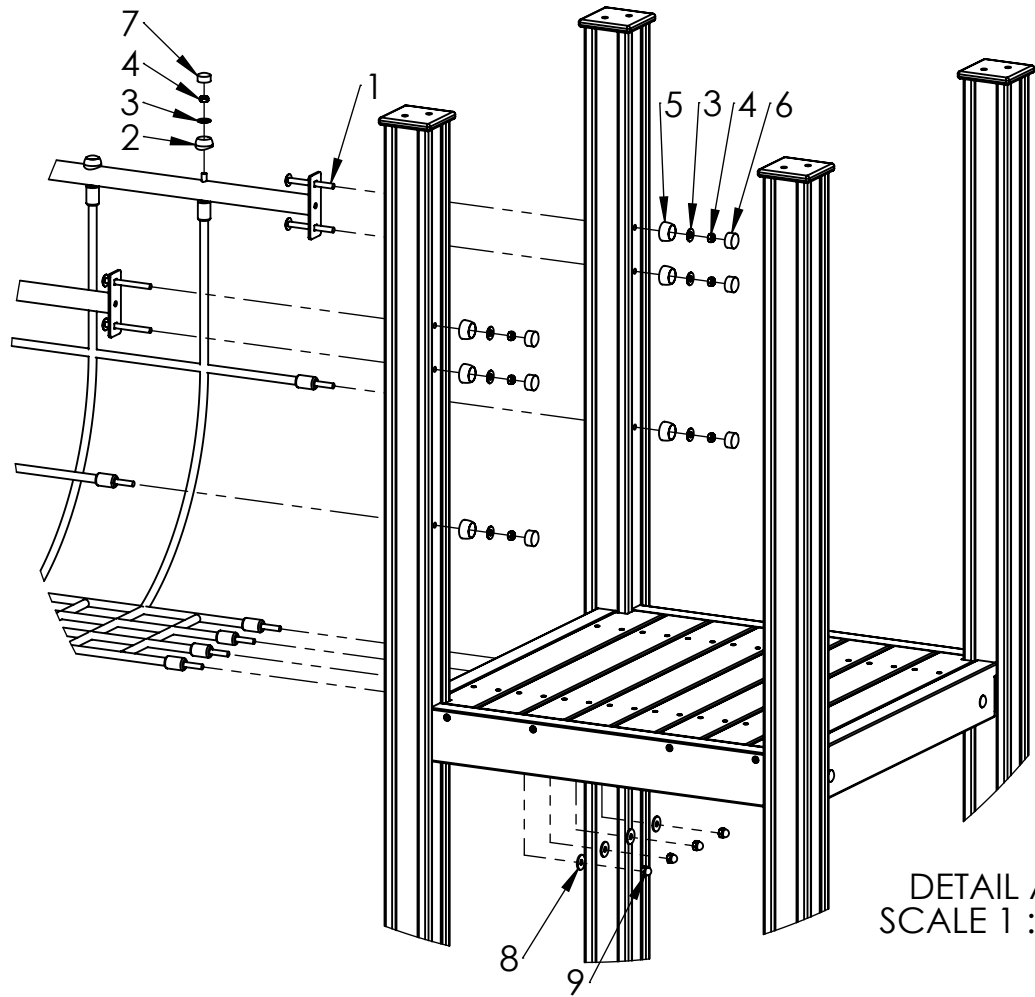
UNLESS OTHERWISE SPECIFIED: DIMENSIONS ARE IN MILLIMETERS WEIGHT ARE IN KILOGRAMM				
	NAME	SIGNATURE	DATE	REVISION
DRAWN	R.Fedotov		04.10.2017	
APPV'D				

PART NUMBER / DWG NO.:	LM212 MF
DESCRIPTION:	Play Centre ANNABEL connecting ramp to platform

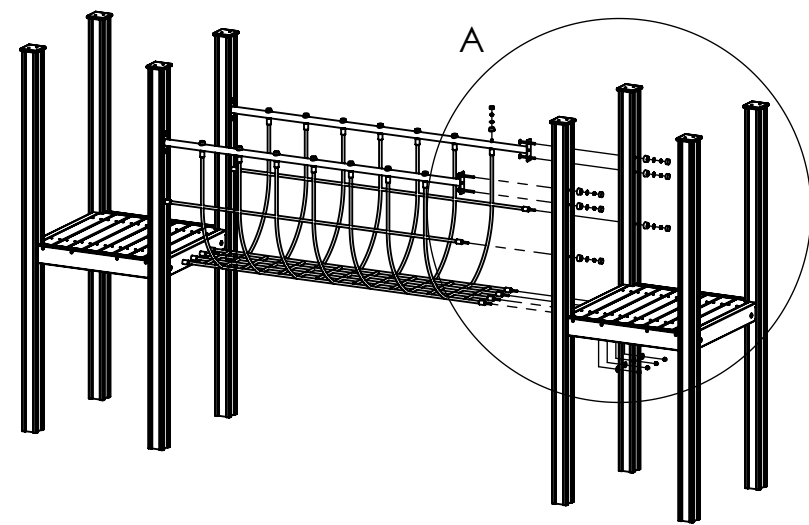


Tiptaptap OÜ
Veetorni 9,
Jüri alevik, Rae vald,
75301 Harjumaa

MATERIAL:	wood, metal, plastic	A4
WEIGHT:	SCALE: 1:13	SHEET 14 OF 19



DETAIL A
SCALE 1 : 15



ITEM NO.	PART NUMBER
1	bolt DIN603 M10x100
2	nut cover for beam M10
3	Washer M10 DIN7349
4	nut DIN985 M10
5	nut cover M12
6	nut cover cap M12
7	nut cover cap M10
8	washer M10 DIN9021
9	domed cap nut DIN986 M10

UNLESS OTHERWISE SPECIFIED:
DIMENSIONS ARE IN MILLIMETERS
WEIGHT ARE IN KILOGRAMM

	NAME	SIGNATURE	DATE	REVISION
DRAWN	R.Fedotov		23.03.2016	
APPV'D				



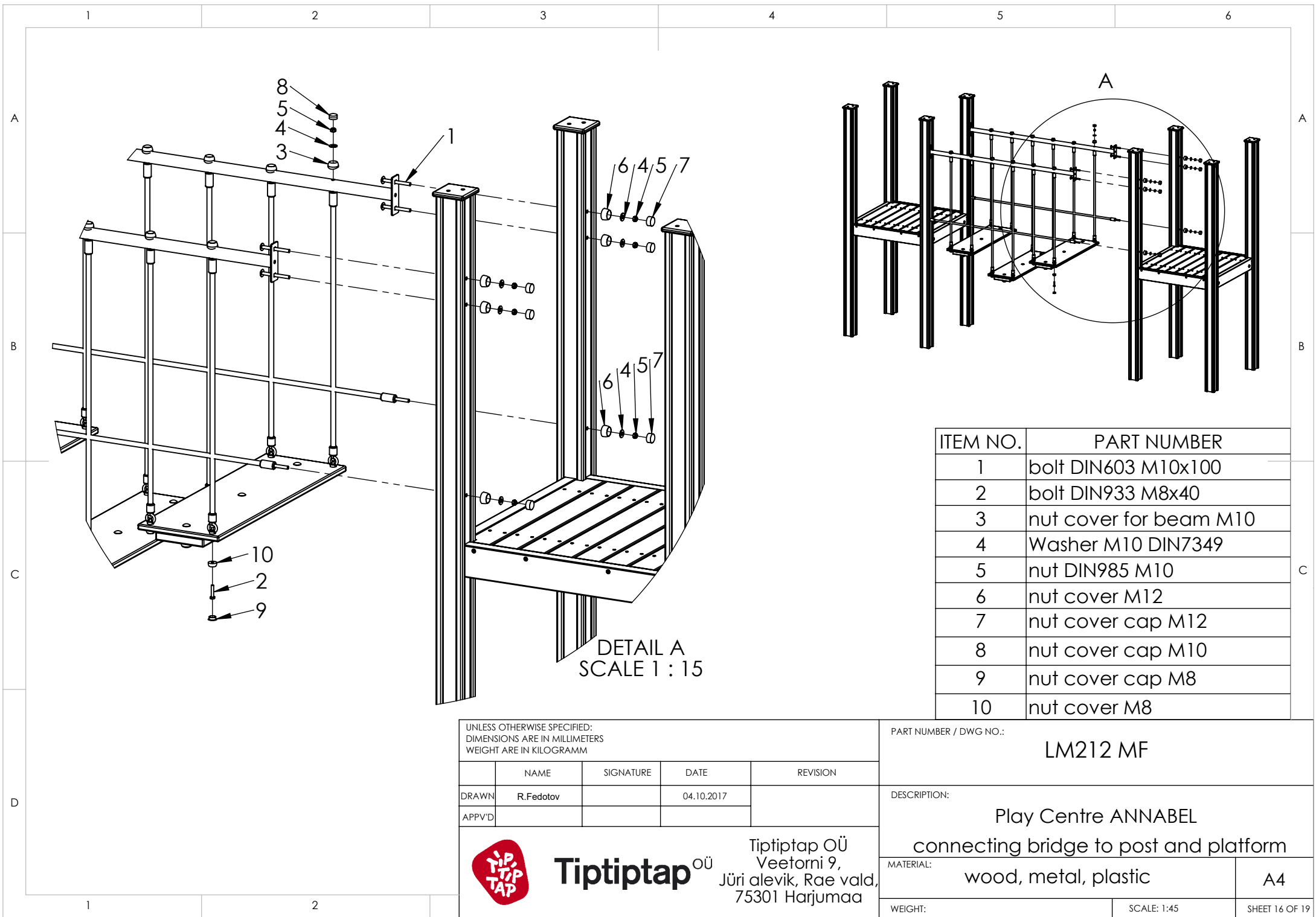
Tiptiptap OÜ
Tiptiptap OÜ
Veetorni 9,
Jüri alevik, Rae vald,
75301 Harjumaa

PART NUMBER / DWG NO.:
LM212 MF

DESCRIPTION:
Play Centre ANNABEL
connecting bridge to post and platform

MATERIAL: wood, metal, plastic

WEIGHT: SCALE: 1:45 SHEET 15 OF 19



DETAIL A
SCALE 1 : 15

ITEM NO.	PART NUMBER
1	bolt DIN603 M10x100
2	bolt DIN933 M8x40
3	nut cover for beam M10
4	Washer M10 DIN7349
5	nut DIN985 M10
6	nut cover M12
7	nut cover cap M12
8	nut cover cap M10
9	nut cover cap M8
10	nut cover M8

UNLESS OTHERWISE SPECIFIED:
DIMENSIONS ARE IN MILLIMETERS
WEIGHT ARE IN KILOGRAMM

	NAME	SIGNATURE	DATE	REVISION
DRAWN	R.Fedotov		04.10.2017	
APPV'D				


Tiptap OÜ
 Tiptap OÜ
 Veetorni 9,
 Jüri alevik, Rae vald,
 75301 Harjumaa

PART NUMBER / DWG NO.: **LM212 MF**

DESCRIPTION:
Play Centre ANNABEL
connecting bridge to post and platform

MATERIAL: wood, metal, plastic A4

WEIGHT: SCALE: 1:45 SHEET 16 OF 19

A

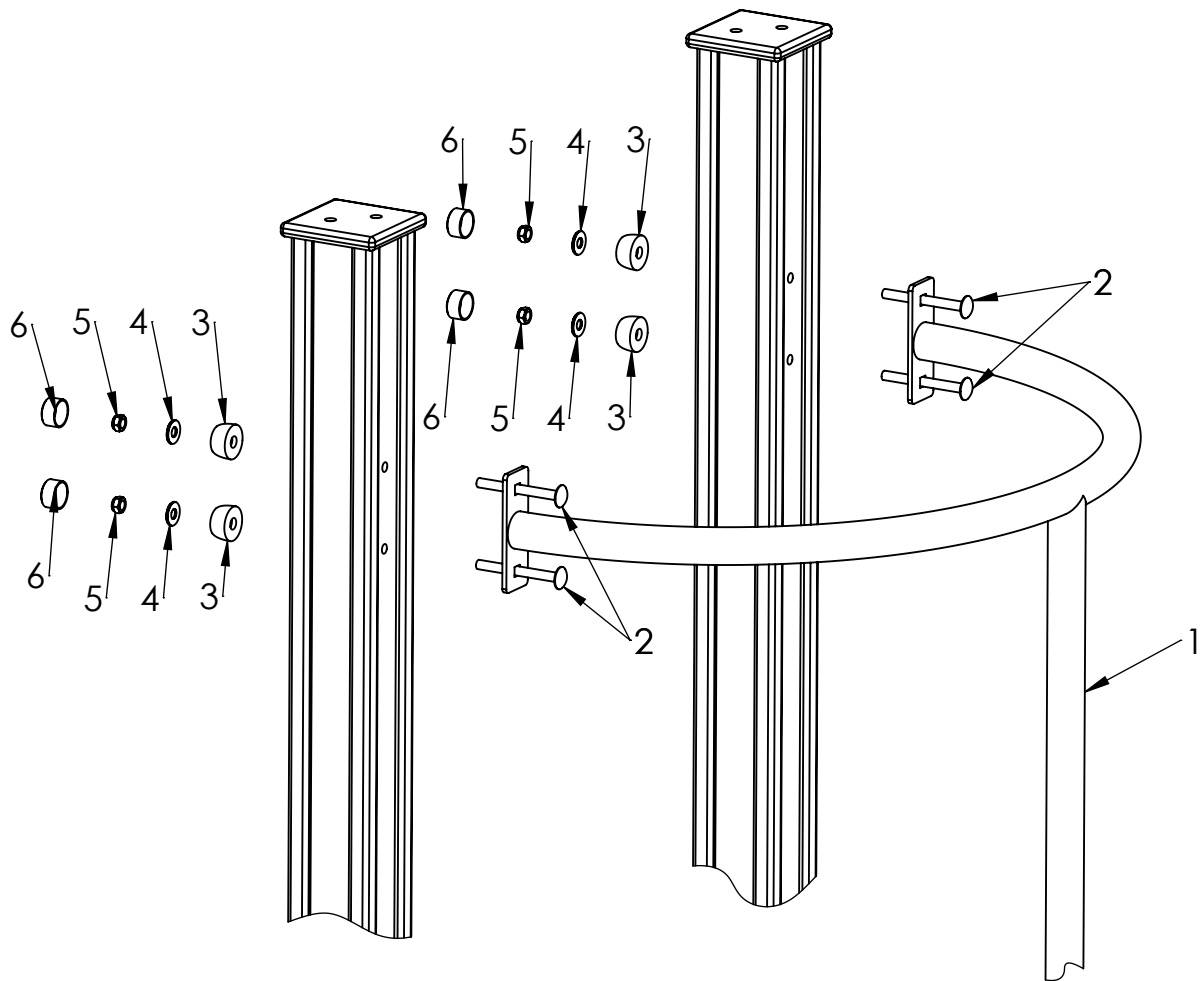
B

C

D

E

F



ITEM NO.	PART NUMBER
1	climbing pole
2	bolt DIN603 M10x100
3	nut cover M12
4	Washer M10 DIN7349
5	nut DIN985 M10
6	nut cover cap M12

UNLESS OTHERWISE SPECIFIED:
 DIMENSIONS ARE IN MILLIMETERS
 WEIGHT ARE IN KILOGRAMM

PART NUMBER / DWG NO.:

LM212 MF

	NAME	SIGNATURE	DATE	REVISION
DRAWN	R.Fedotov		23.03.2016	
APPV'D				

DESCRIPTION:

Play Centre ANNABEL
 connecting climbing pole to post

MATERIAL:

wood, metal, plastic

A4

WEIGHT:

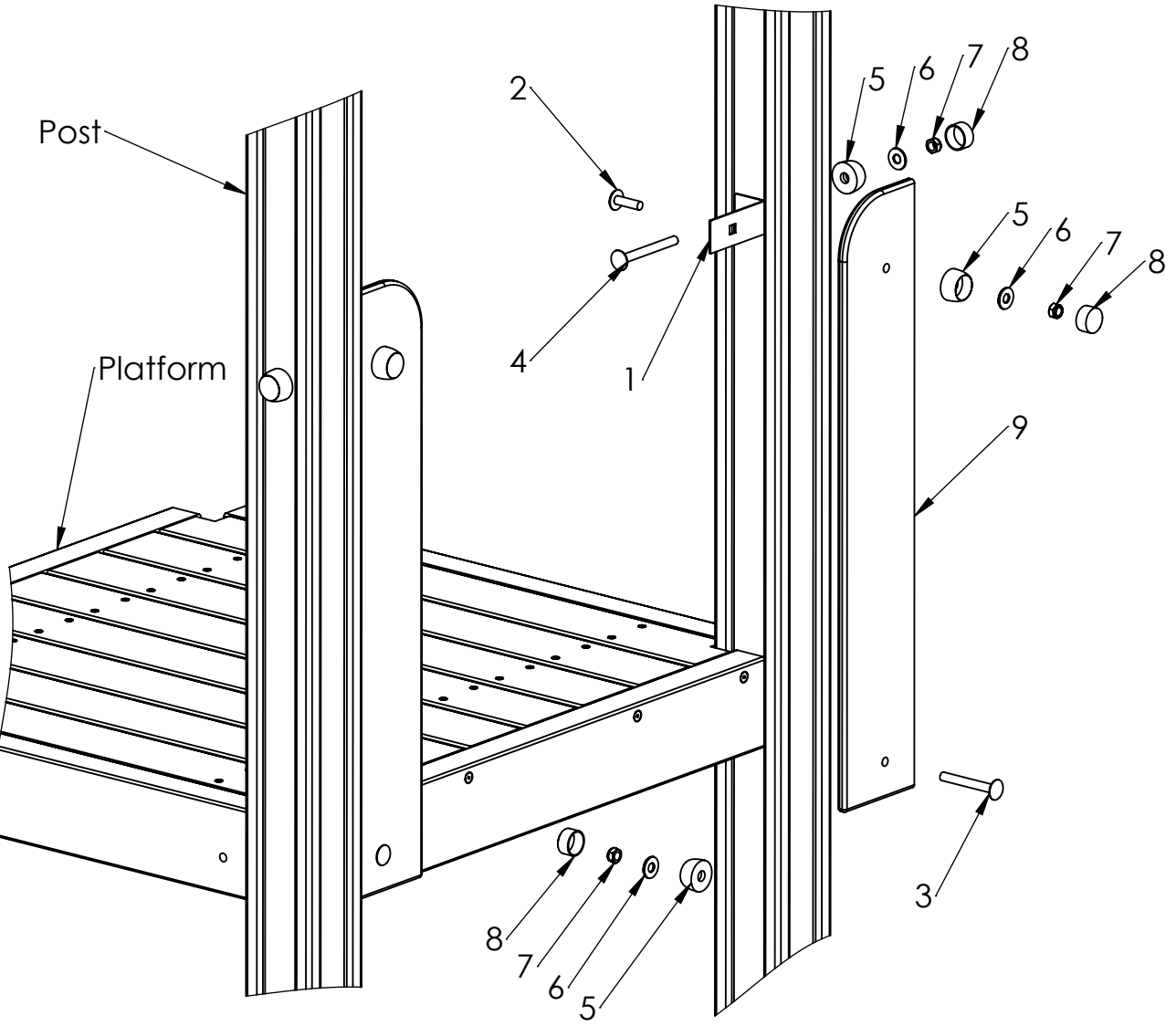
SCALE: 1:8

SHEET 17 OF 19



Tiptiptap OÜ

Tiptiptap OÜ
 Veetorni 9,
 Jüri alevik, Rae vald,
 75301 Harjumaa



ITEM NO.	PART NUMBER
1	slide side panel fixing 40x100
2	bolt DIN603 M10x35
3	bolt DIN603 M10x80
4	bolt DIN603 M10x100
5	nut cover M12
6	Washer M10 DIN7349
7	nut DIN985 M10
8	nut cover cap M12
9	panel 740x126

UNLESS OTHERWISE SPECIFIED: DIMENSIONS ARE IN MILLIMETERS WEIGHT ARE IN KILOGRAMM				
	NAME	SIGNATURE	DATE	REVISION
DRAWN	R.Fedotov		04.10.2017	
APPV'D				

PART NUMBER / DWG NO.:		LM212 MF	
DESCRIPTION:			
Play Centre ANNABEL			
Connecting climbing pole side panel to post			
MATERIAL:		wood, metal, plastic	A4
WEIGHT:		SCALE: 1:8	SHEET 18 OF 19

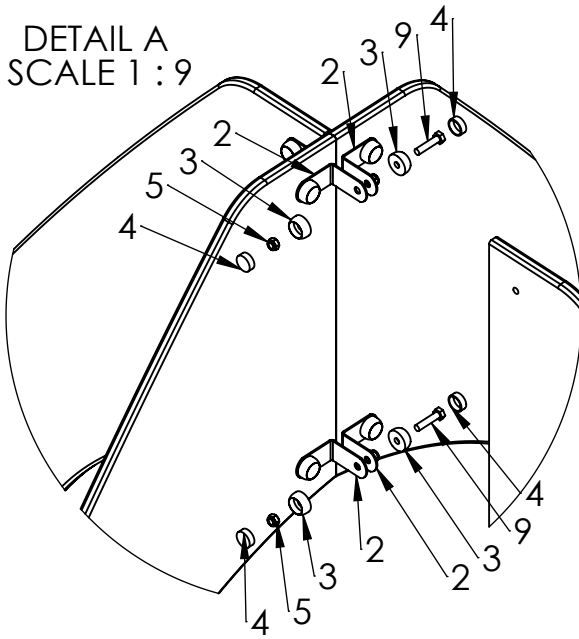


Tiptaptap OÜ

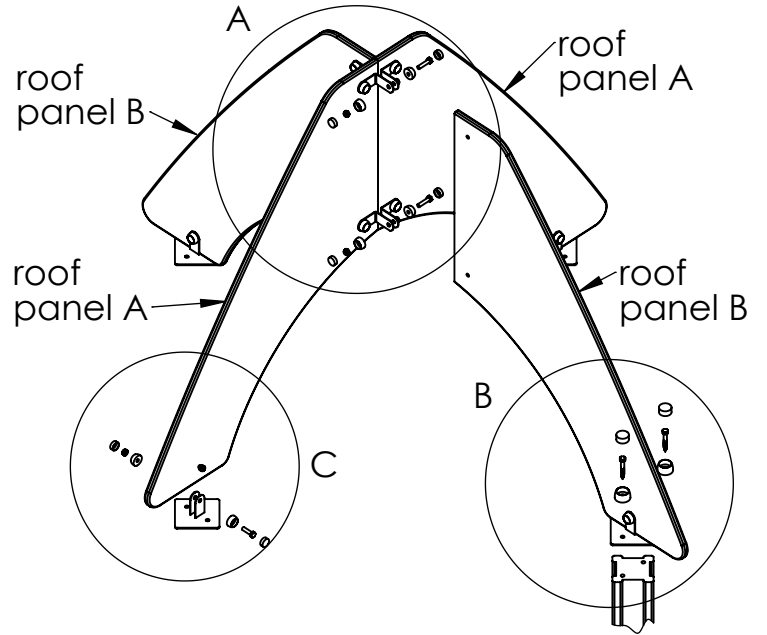
Tiptaptap OÜ
Veetorni 9,
Jüri alevik, Rae vald,
75301 Harjumaa

A

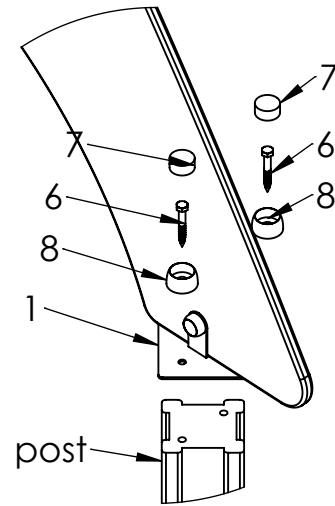
DETAIL A
SCALE 1 : 9



B

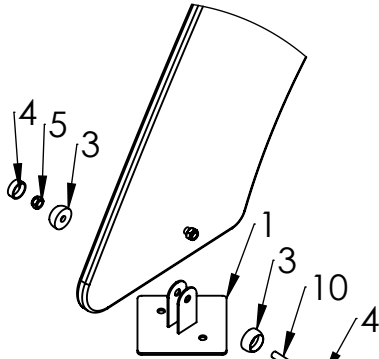


C



DETAIL B
SCALE 1 : 9

D



DETAIL C
SCALE 1 : 9

E

ITEM NO.	PART NUMBER
1	roof fixture
2	corner 60x60
3	nut cover M8
4	nut cover cap M8
5	nut DIN985 M8
6	wood screw DIN571 8x60
7	nut cover cap M12
8	nut cover M12
9	bolt DIN933 M8x35
10	bolt DIN933 M8x30

UNLESS OTHERWISE SPECIFIED:
DIMENSIONS ARE IN MILLIMETERS
WEIGHT ARE IN KILOGRAMM

	NAME	SIGNATURE	DATE	REVISION
DRAWN	R.Fedotov		23.03.2016	
APPV'D				

PART NUMBER / DWG NO.:
LM212 MF

DESCRIPTION:
**Play Centre ANNABEL
connecting roof to post**

F



Tiptap OÜ

Tiptap OÜ
Veetorni 9,
Jüri alevik, Rae vald,
75301 Harjumaa

MATERIAL: wood, metal, plastic

A4

WEIGHT: SCALE: 1:18 SHEET 19 OF 19