

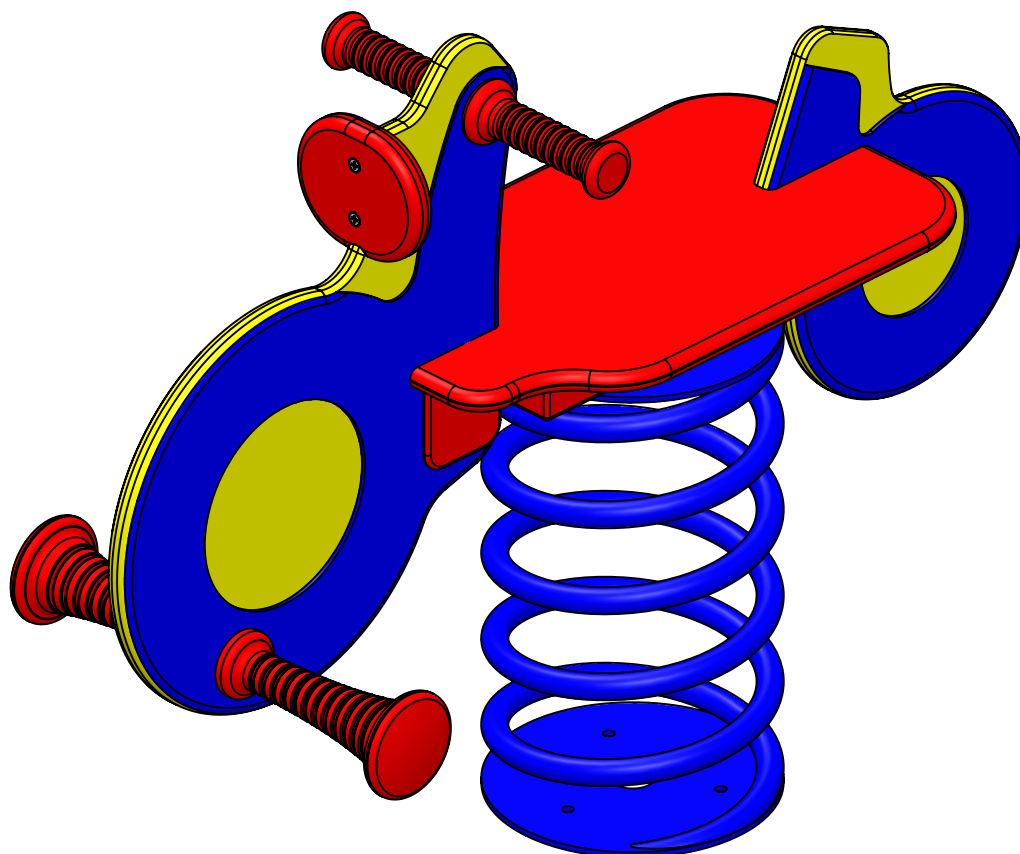
A

B

C

D

E



UNLESS OTHERWISE SPECIFIED:
DIMENSIONS ARE IN MILLIMETERS
WEIGHT ARE IN KILOGRAMM

PART NUMBER / DWG NO.:

VLO49

	NAME	SIGNATURE	DATE	REVISION
DRAWN	M.Rebase		15.08.2012	
APPV'D				

DESCRIPTION:

Spring swing SPEEDY

F



Tiptiptap OÜ

Tiptiptap OÜ
Veetorni 9,
Jüri alevik, Rae vald,
75301 Harjumaa

MATERIAL:

metal, plastic

A4

WEIGHT:

SCALE: 1:5

SHEET 1 OF 4

safety area

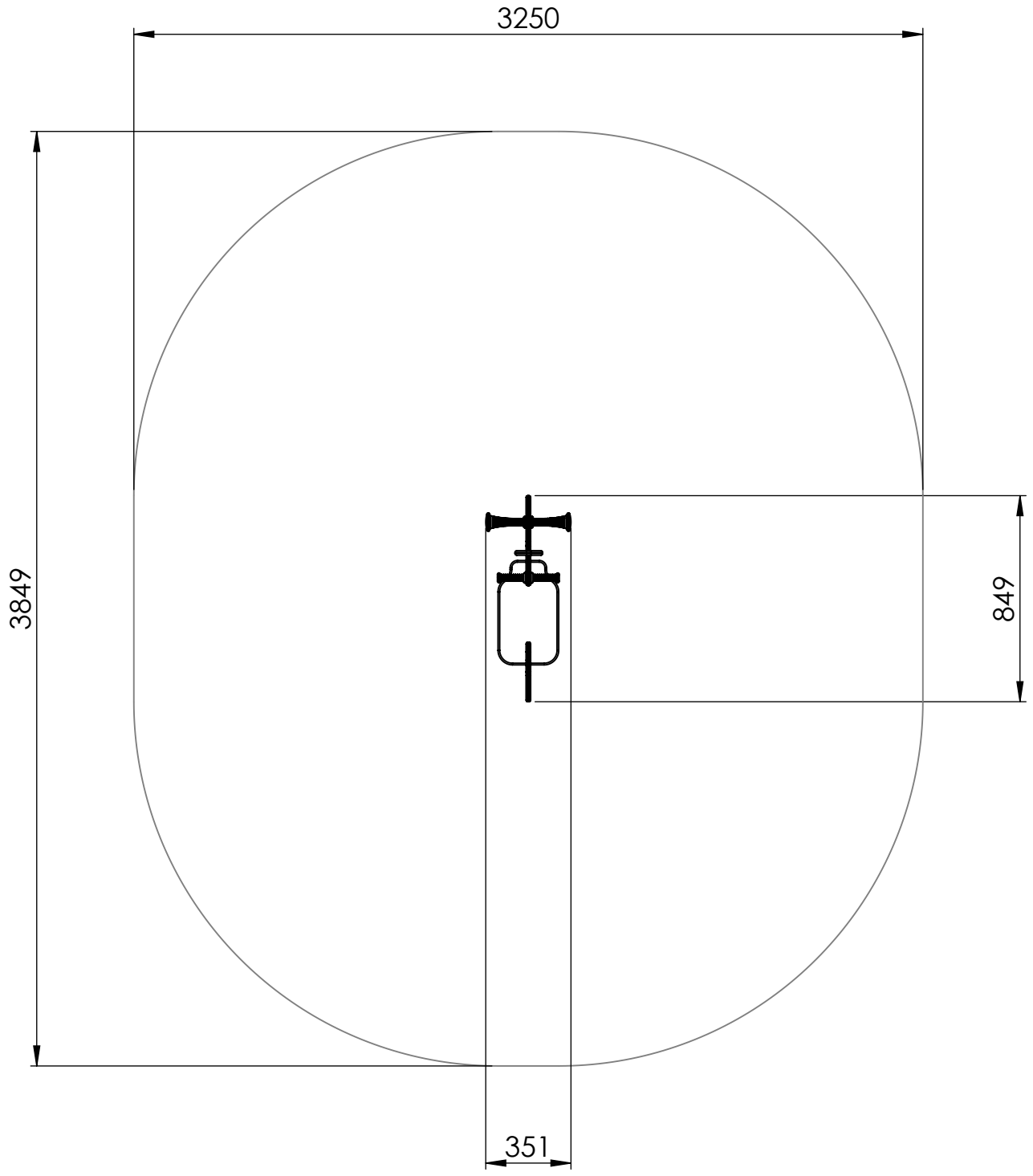
A

B

C

D

E



UNLESS OTHERWISE SPECIFIED:
 DIMENSIONS ARE IN MILLIMETERS
 WEIGHT ARE IN KILOGRAMM

PART NUMBER / DWG NO.:
VLO49

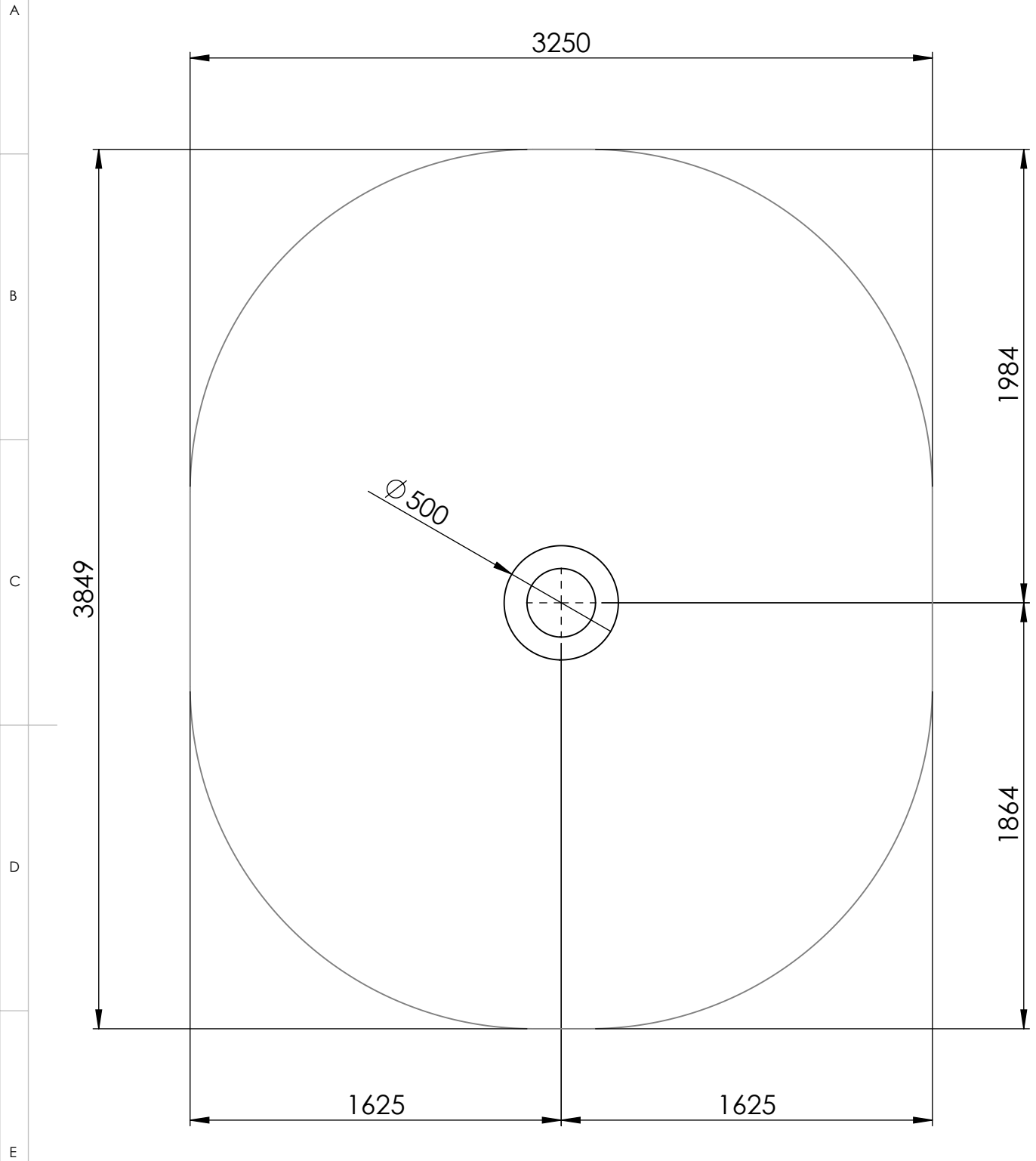
	NAME	SIGNATURE	DATE	REVISION
DRAWN	M.Rebase		15.08.2012	
APPV'D				

DESCRIPTION:
Spring swing SPEEDY

 **Tiptaptap** OÜ
 Veetorni 9,
 Jüri alevik, Rae vald,
 75301 Harjumaa

MATERIAL:	metal, plastic	A4
WEIGHT:	SCALE: 1:25	SHEET 2 OF 4

foundation



depth of foundation 358mm

UNLESS OTHERWISE SPECIFIED:
DIMENSIONS ARE IN MILLIMETERS
WEIGHT ARE IN KILOGRAMM

PART NUMBER / DWG NO.:

VLO49

	NAME	SIGNATURE	DATE	REVISION
DRAWN	M.Rebase		15.08.2012	
APPV'D				

DESCRIPTION:

Spring swing SPEEDY



Tiptiptap OÜ

Tiptiptap OÜ
Veetorni 9,
Jüri alevik, Rae vald,
75301 Harjumaa

MATERIAL:

metal, plastic

A4

WEIGHT:

SCALE: 1:25

SHEET 3 OF 4

A

B

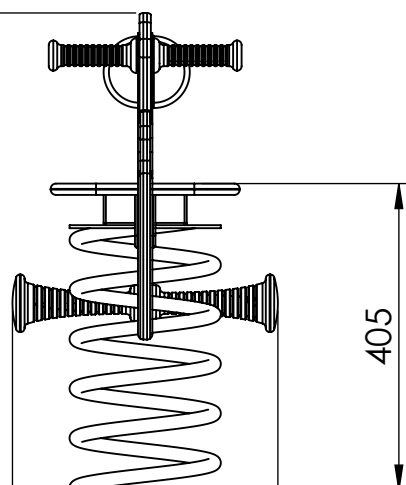
C

D

E

F

631

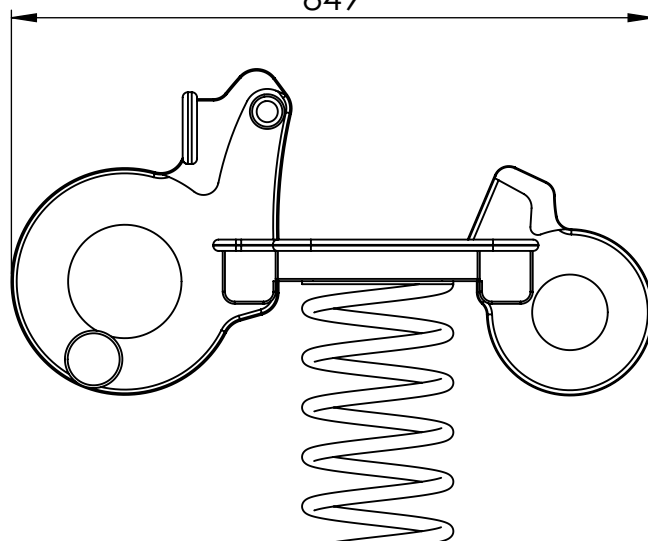


405

351

ground

849

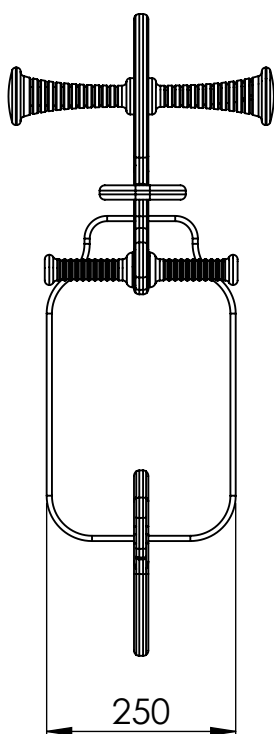


200

500

358

concrete



250

UNLESS OTHERWISE SPECIFIED:
DIMENSIONS ARE IN MILLIMETERS
WEIGHT ARE IN KILOGRAMM

PART NUMBER / DWG NO.:

VLO49

	NAME	SIGNATURE	DATE	REVISION
DRAWN	M.Rebase		15.08.2012	
APPV'D				

DESCRIPTION:

Spring swing SPEEDY

MATERIAL:

metal, plastic

A4

WEIGHT:

SCALE: 1:10

SHEET 4 OF 4



Tiptaptap OÜ

Tiptaptap OÜ
Veetorni 9,
Jüri alevik, Rae vald,
75301 Harjumaa