

A

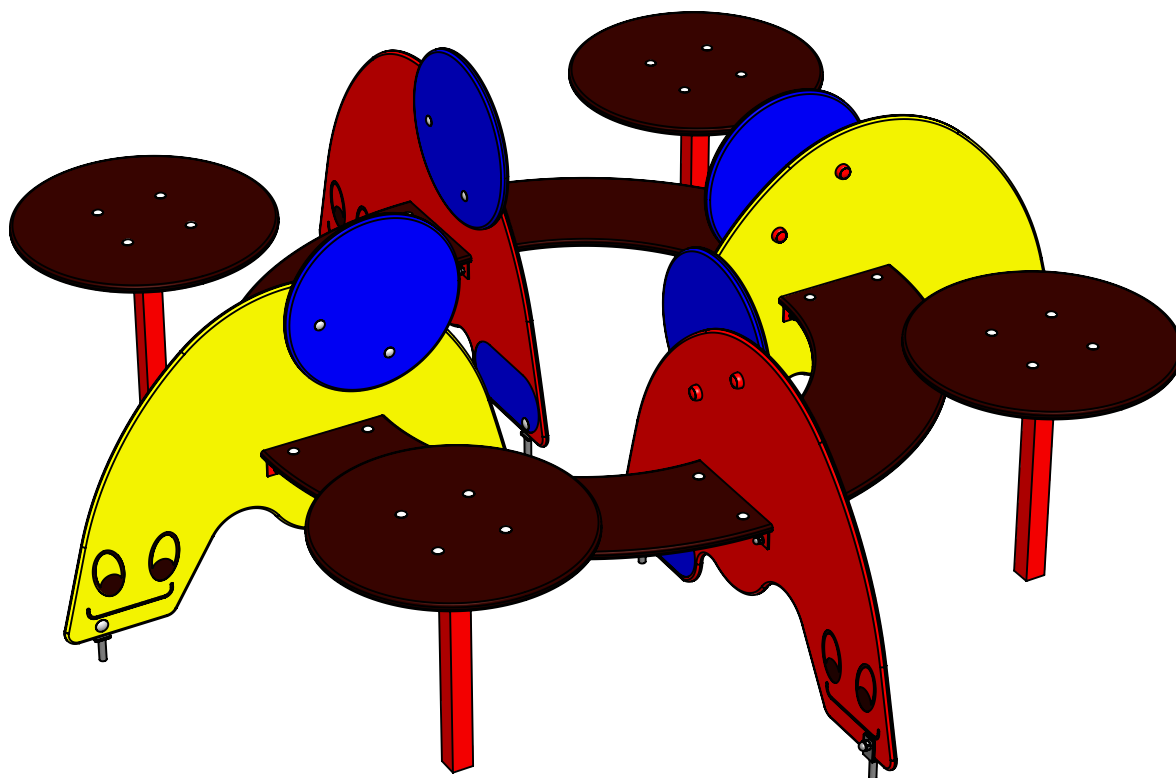
B

C

D

E

F



UNLESS OTHERWISE SPECIFIED:
DIMENSIONS ARE IN MILLIMETERS
WEIGHT ARE IN KILOGRAMM

PART NUMBER / DWG NO.:

IPR801

	NAME	SIGNATURE	DATE	REVISION
DRAWN	M.Rebase		07.07.2015	
APPV'D				

DESCRIPTION:

Set for a group of children SNAIL



Tiptaptap OÜ

Tiptaptap OÜ
Veetorni 9,
Jüri alevik, Rae vald,
75301 Harjumaa

MATERIAL:

wood, metal, plastic

A4

WEIGHT:

SCALE: 1:12

SHEET 1 OF 7

safety area

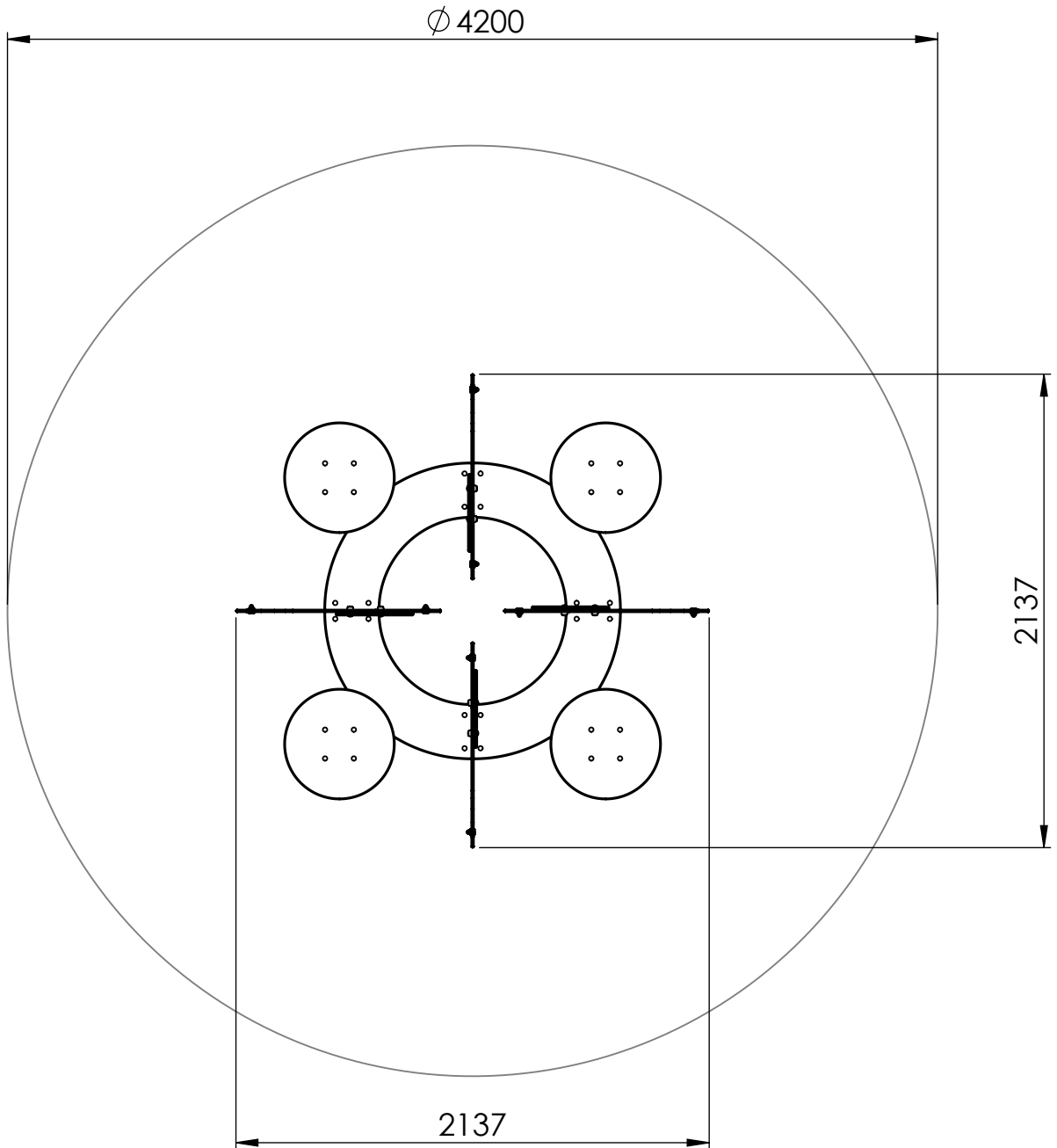
A

B

C

D

E



UNLESS OTHERWISE SPECIFIED:
DIMENSIONS ARE IN MILLIMETERS
WEIGHT ARE IN KILOGRAMM

PART NUMBER / DWG NO.:

IPR801

	NAME	SIGNATURE	DATE	REVISION
DRAWN	M.Rebase		07.07.2015	
APPV'D				

DESCRIPTION:

Set for a group of children SNAIL



Tiptaptap OÜ

Tiptaptap OÜ
Veetorni 9,
Jüri alevik, Rae vald,
75301 Harjumaa

MATERIAL:

wood, metal, plastic

A4

WEIGHT:

SCALE: 1:30

SHEET 2 OF 7

F

foundation

A

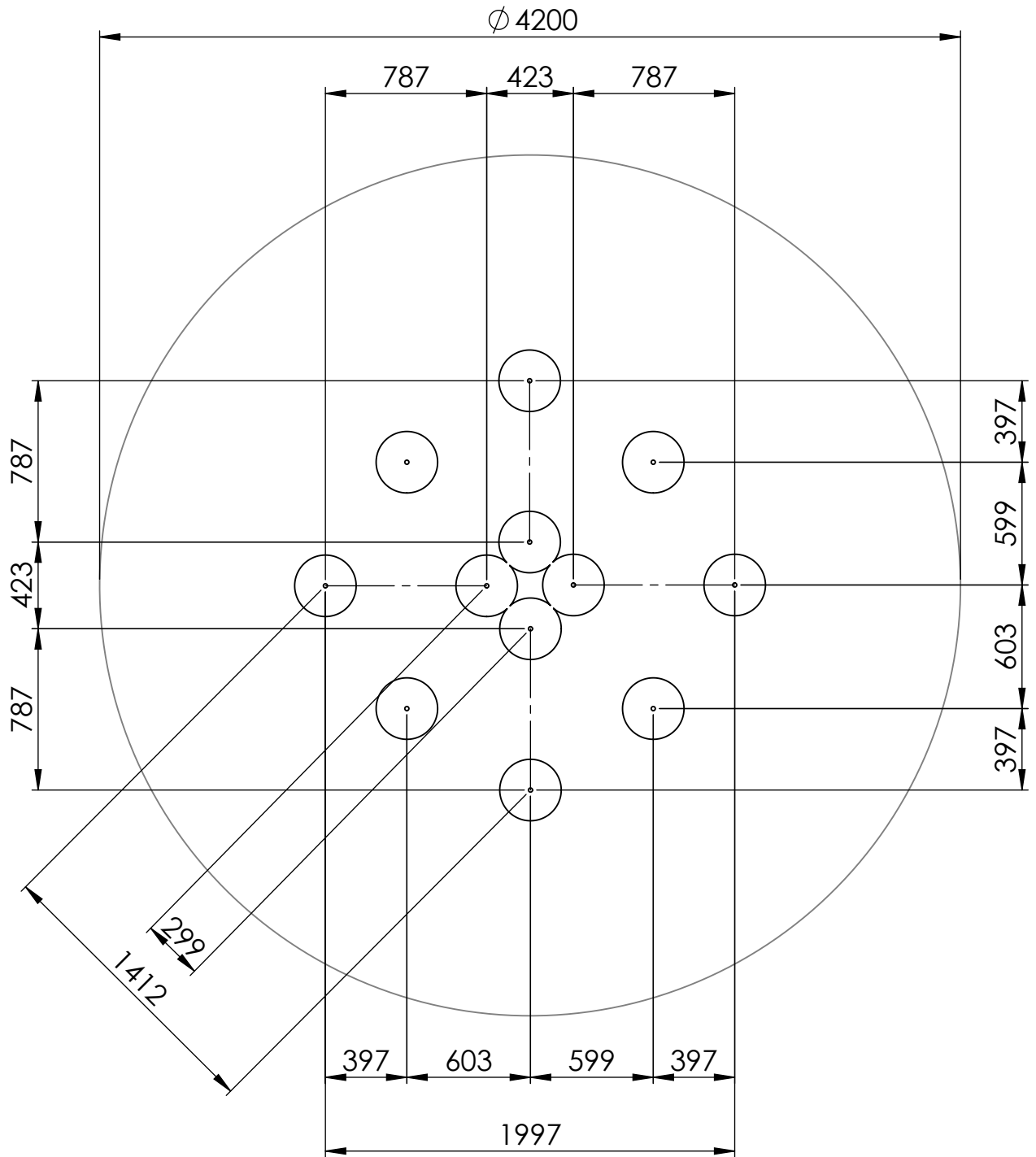
B

C

D

E

F



UNLESS OTHERWISE SPECIFIED:
DIMENSIONS ARE IN MILLIMETERS
WEIGHT ARE IN KILOGRAMM

PART NUMBER / DWG NO.:

IPR801

	NAME	SIGNATURE	DATE	REVISION
DRAWN	M.Rebase		07.07.2015	
APPV'D				

DESCRIPTION:

Set for a group of children SNAIL



Tiptaptap OÜ

Tiptaptap OÜ
Veetorni 9,
Jüri alevik, Rae vald,
75301 Harjumaa

MATERIAL:

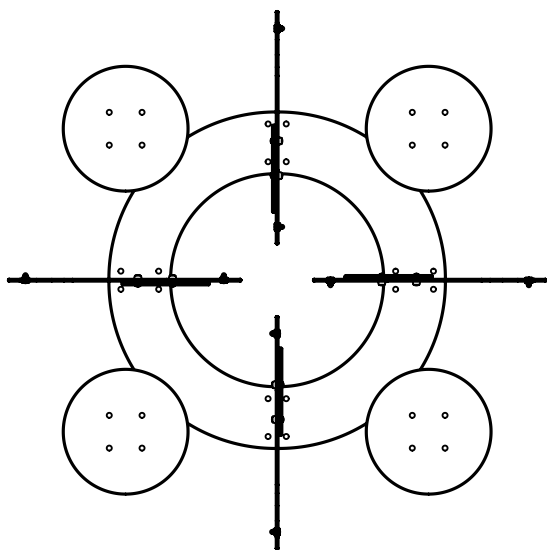
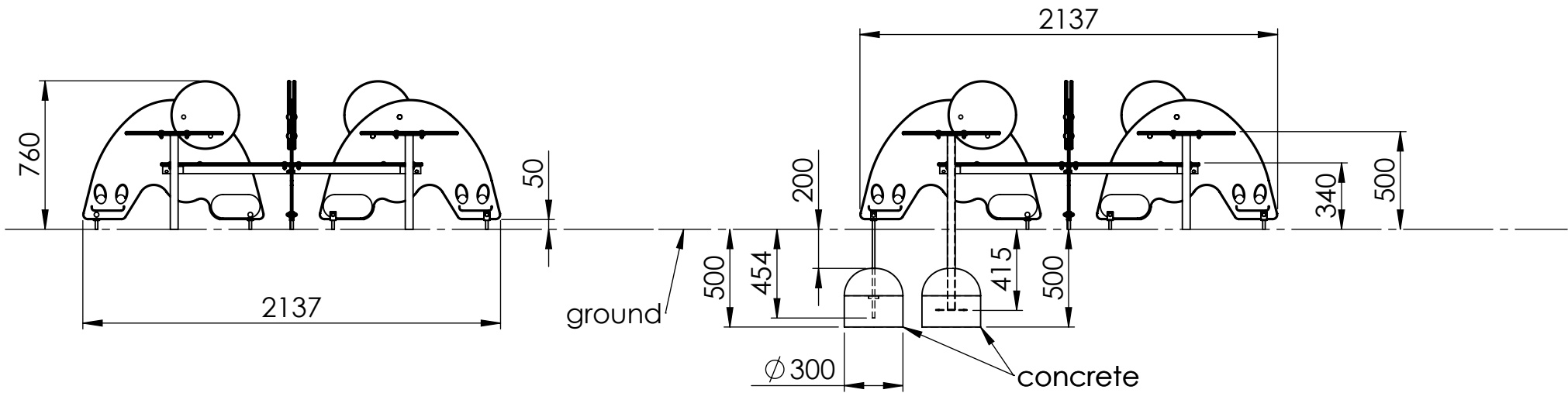
wood, metal, plastic


A4

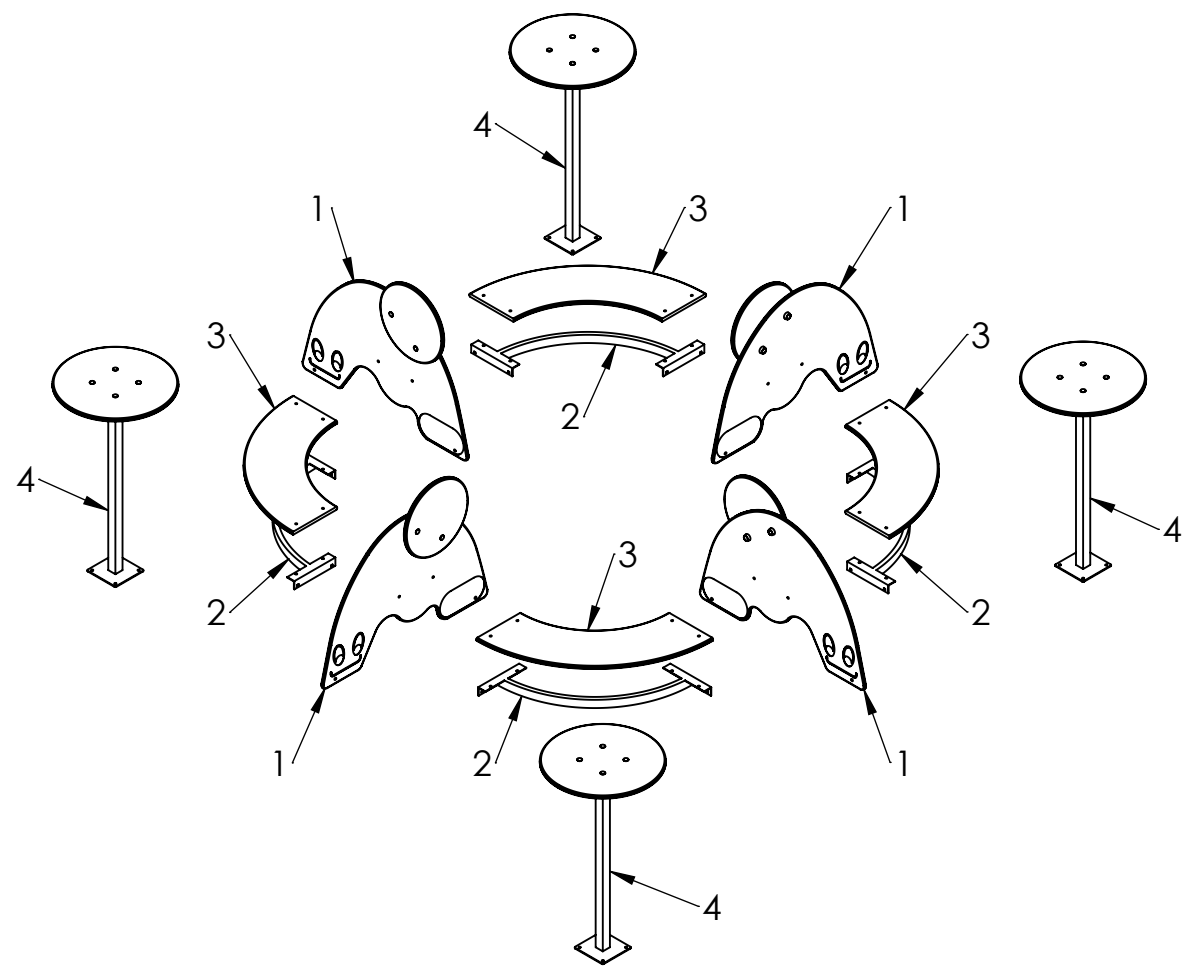
WEIGHT:

SCALE: 1:30

SHEET 3 OF 7



UNLESS OTHERWISE SPECIFIED: DIMENSIONS ARE IN MILLIMETERS WEIGHT ARE IN KILOGRAMM					PART NUMBER / DWG NO.: IPR801	
	NAME	SIGNATURE	DATE	REVISION	DESCRIPTION: Set for a group of children SNAIL	
DRAWN	M.Rebase		07.07.2015			
APPV'D						
 Tiptaptap OÜ Tiptaptap OÜ Veetorni 9, Jüri alevik, Rae vald, 75301 Harjumaa					MATERIAL:	wood, metal, plastic
					WEIGHT:	SCALE: 1:30
					SHEET 4 OF 7	



A
B
C
D
E
F

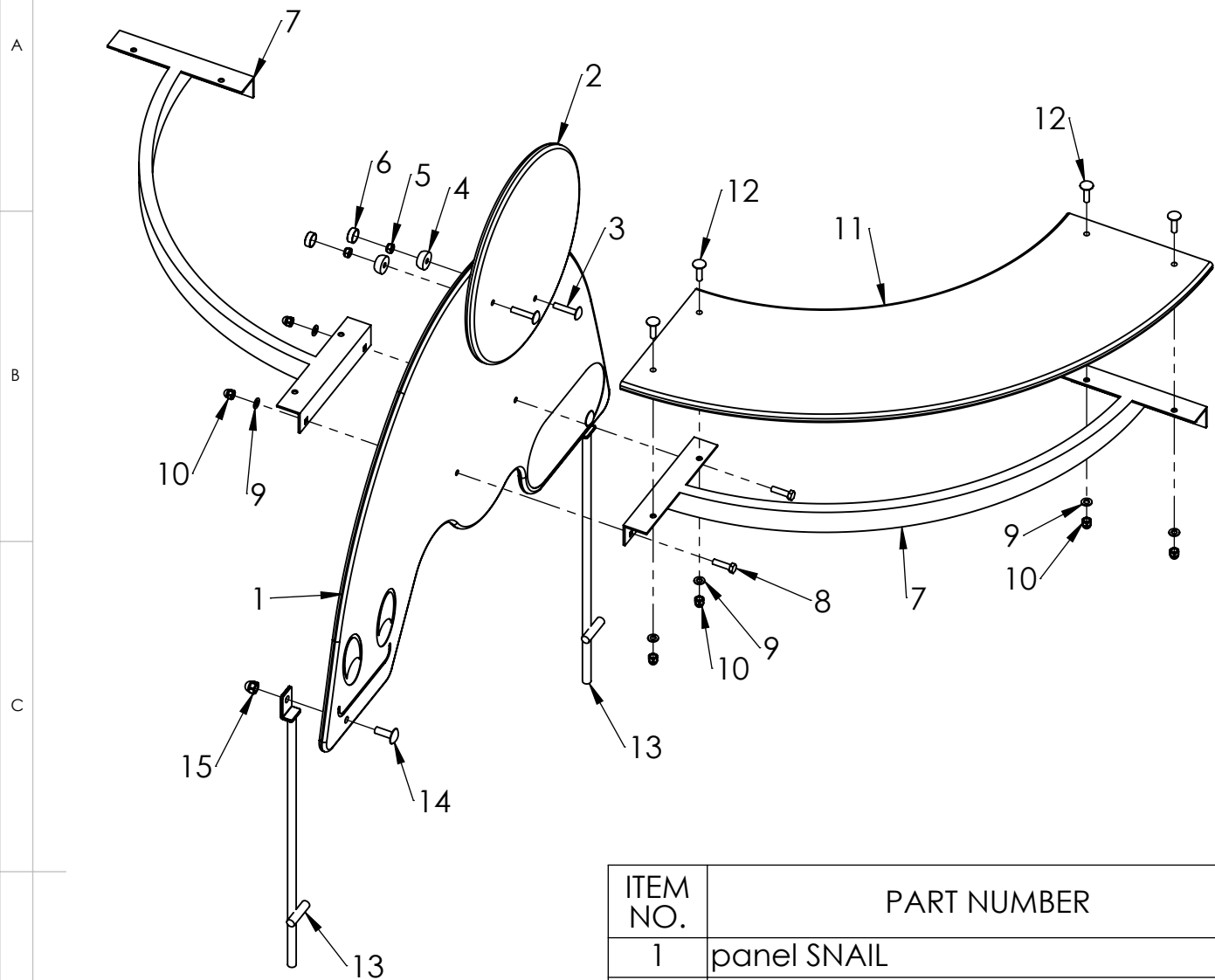
ITEM NO.	PART NUMBER	DESCRIPTION	QTY.
1	panel SNAIL	plywood	4
2	seat fixing	painted steel	4
3	seat plate	plywood	4
4	table	plywood, metal	4

UNLESS OTHERWISE SPECIFIED: DIMENSIONS ARE IN MILLIMETERS WEIGHT ARE IN KILOGRAMM				
	NAME	SIGNATURE	DATE	REVISION
DRAWN	M.Rebase		07.07.2015	
APPV'D				

PART NUMBER / DWG NO.:	IPR801
DESCRIPTION:	Set for a group of children SNAIL


Tiptaptap OÜ
 Veetorni 9,
 Jüri alevik, Rae vald,
 75301 Harjumaa

MATERIAL:	wood, metal, plastic	A4
WEIGHT:	SCALE: 1:30	SHEET 5 OF 7



ITEM NO.	PART NUMBER
1	panel SNAIL
2	round panel d.350
3	bolt DIN603 M8x40
4	nut cover M8
5	nut DIN985 M8
6	nut cover cap M8
7	seat fixing
8	bolt DIN933 M8x30
9	washer M8
10	domed cap nut DIN1587 M8
11	seat plate
12	bolt DIN603 M8x30
13	ground fixing L-shape
14	bolt DIN603 M10x30
15	domed cap nut DIN1587 M10

UNLESS OTHERWISE SPECIFIED:
DIMENSIONS ARE IN MILLIMETERS
WEIGHT ARE IN KILOGRAMM

PART NUMBER / DWG NO.:

IPR801

	NAME	SIGNATURE	DATE	REVISION
DRAWN	M.Rebase		07.07.2015	
APPV'D				

DESCRIPTION:

Set for a group of children SNAIL

MATERIAL:

wood, metal, plastic

A4

WEIGHT:

SCALE: 1:10

SHEET 6 OF 7



Tiptap OÜ

Tiptap OÜ
Veetorni 9,
Jüri alevik, Rae vald,
75301 Harjumaa

A

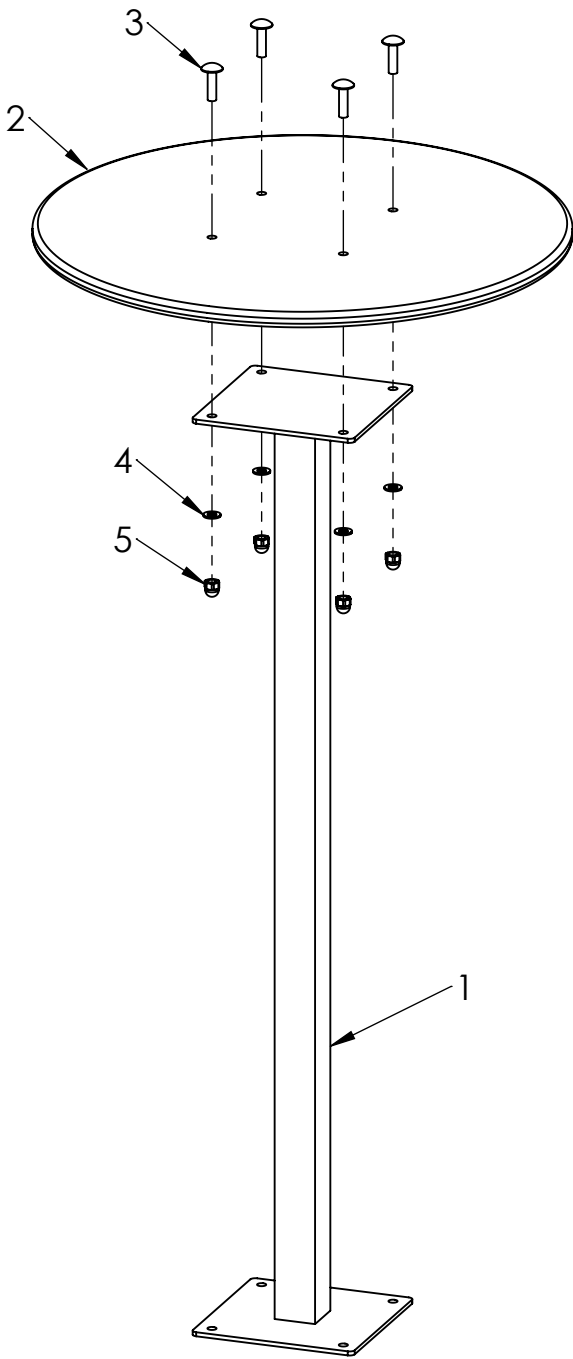
B

C

D

E

F



ITEM NO.	PART NUMBER
1	metal leg
2	circle plate d.500
3	bolt DIN603 M8x30
4	washer M8
5	domed cap nut DIN1587 M8

UNLESS OTHERWISE SPECIFIED: DIMENSIONS ARE IN MILLIMETERS WEIGHT ARE IN KILOGRAMM				
	NAME	SIGNATURE	DATE	REVISION
DRAWN	M.Rebase		07.07.2015	
APPV'D				

PART NUMBER / DWG NO.:	IPR801
DESCRIPTION:	Set for a group of children SNAIL



Tiptiptap OÜ
 Veetorni 9,
 Jüri alevik, Rae vald,
 75301 Harjumaa

MATERIAL:	wood, metal, plastic	A4
WEIGHT:		SCALE: 1:7
		SHEET 7 OF 7