

1

2

3

4

A

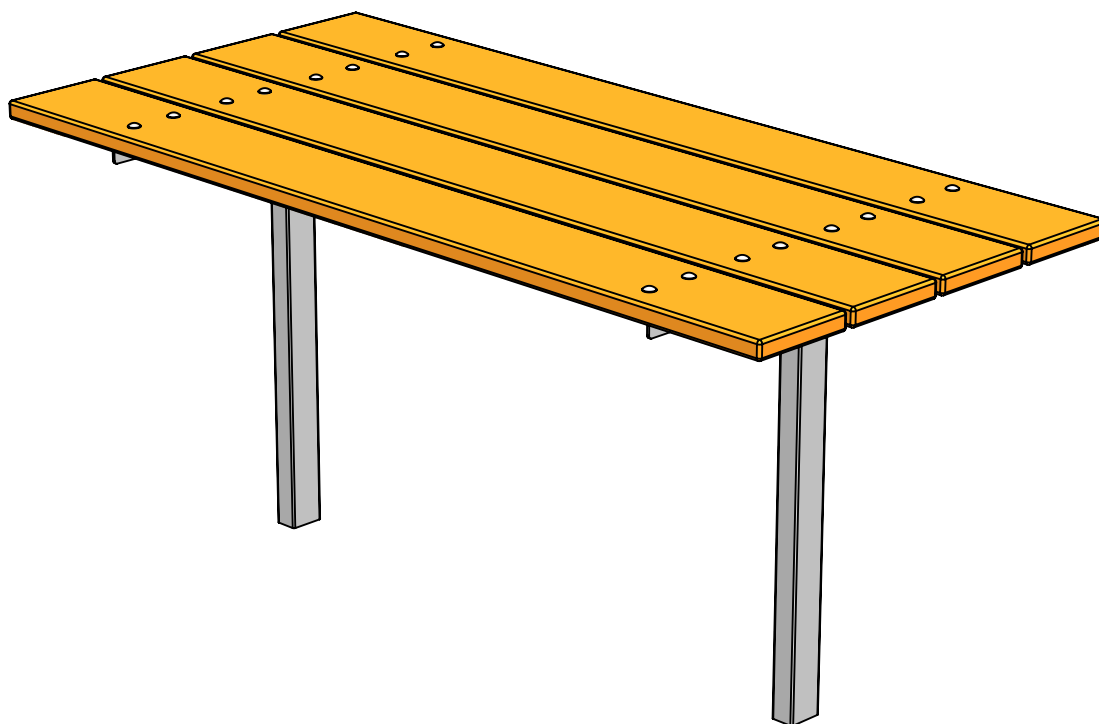
B

C

D

E

F



UNLESS OTHERWISE SPECIFIED:  
DIMENSIONS ARE IN MILLIMETERS  
WEIGHT ARE IN KILOGRAMM

PART NUMBER / DWG NO.:

IPPS03

	NAME	SIGNATURE	DATE	REVISION
DRAWN	M.Rebase		10.08.2015	
APPV'D				

DESCRIPTION:

Table SAUE



**Tiptaptap** OÜ

Tiptaptap OÜ  
Veetorni 9,  
Jüri alevik, Rae vald,  
75301 Harjumaa

MATERIAL:

wood, metal

A4

WEIGHT:

SCALE: 1:10

SHEET 1 OF 3

A

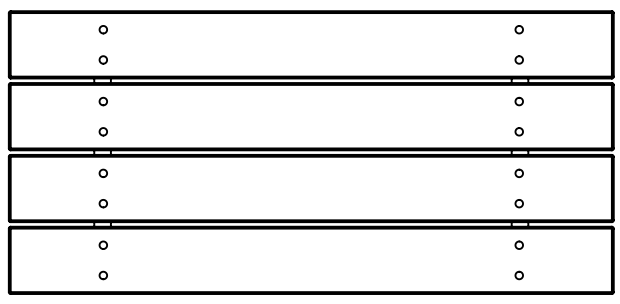
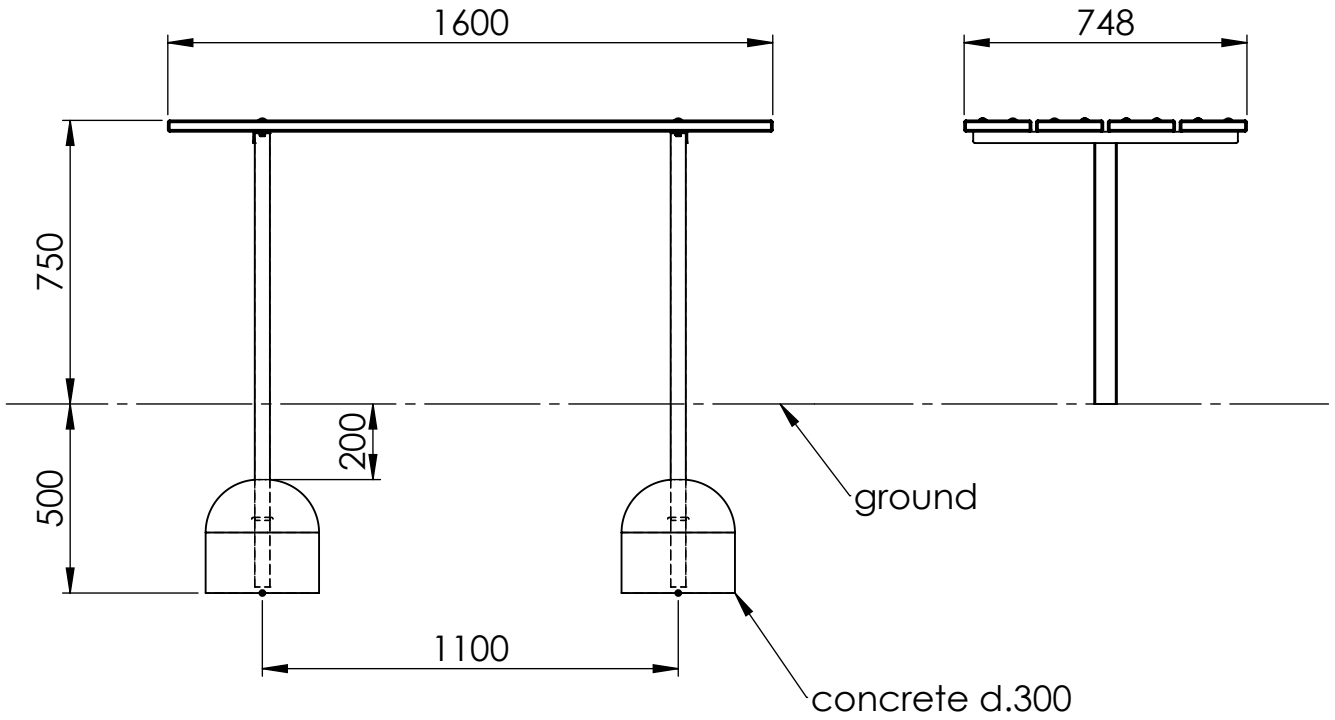
B

C

D

E

F



depth of foundation 500mm

UNLESS OTHERWISE SPECIFIED: DIMENSIONS ARE IN MILLIMETERS WEIGHT ARE IN KILOGRAMM				
	NAME	SIGNATURE	DATE	REVISION
DRAWN	M.Rebase		10.08.2015	
APPV'D				

PART NUMBER / DWG NO.:	IPPS03		
DESCRIPTION:	Table SAUE		



**Tiptaptap** OÜ  
Veetorni 9,  
Jüri alevik, Rae vald,  
75301 Harjumaa

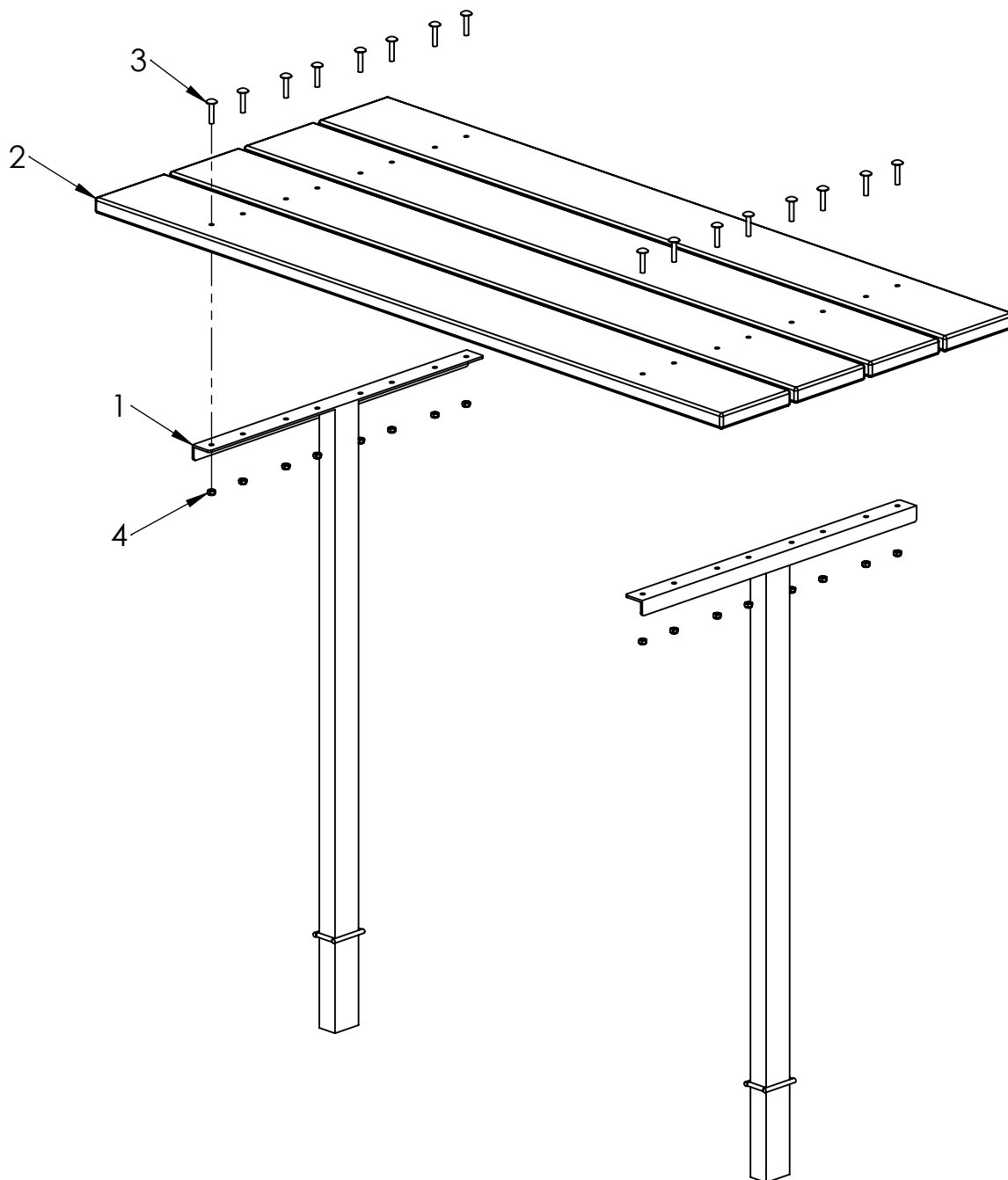
MATERIAL:	wood, metal	A4
WEIGHT:	SCALE: 1:20	SHEET 2 OF 3

A

B

C

D



E

F

ITEM NO.	PART NUMBER	DESCRIPTION	QTY.
1	ground fixing	galvanized steel	2
2	board 30x178x1600	wood	4
3	bolt DIN603 M8x40	galvanized steel	16
4	nut DIN985 M8	galvanized steel	16

UNLESS OTHERWISE SPECIFIED:  
DIMENSIONS ARE IN MILLIMETERS  
WEIGHT ARE IN KILOGRAMM

PART NUMBER / DWG NO.:

IPPS03

	NAME	SIGNATURE	DATE	REVISION
DRAWN	M.Rebase		10.08.2015	
APPV'D				

DESCRIPTION:

Table SAUE

MATERIAL:

wood, metal

A4

WEIGHT:

SCALE: 1:12

SHEET 3 OF 3



**Tiptiptap** OÜ

Tiptiptap OÜ  
Veetorni 9,  
Jüri alevik, Rae vald,  
75301 Harjumaa