

A

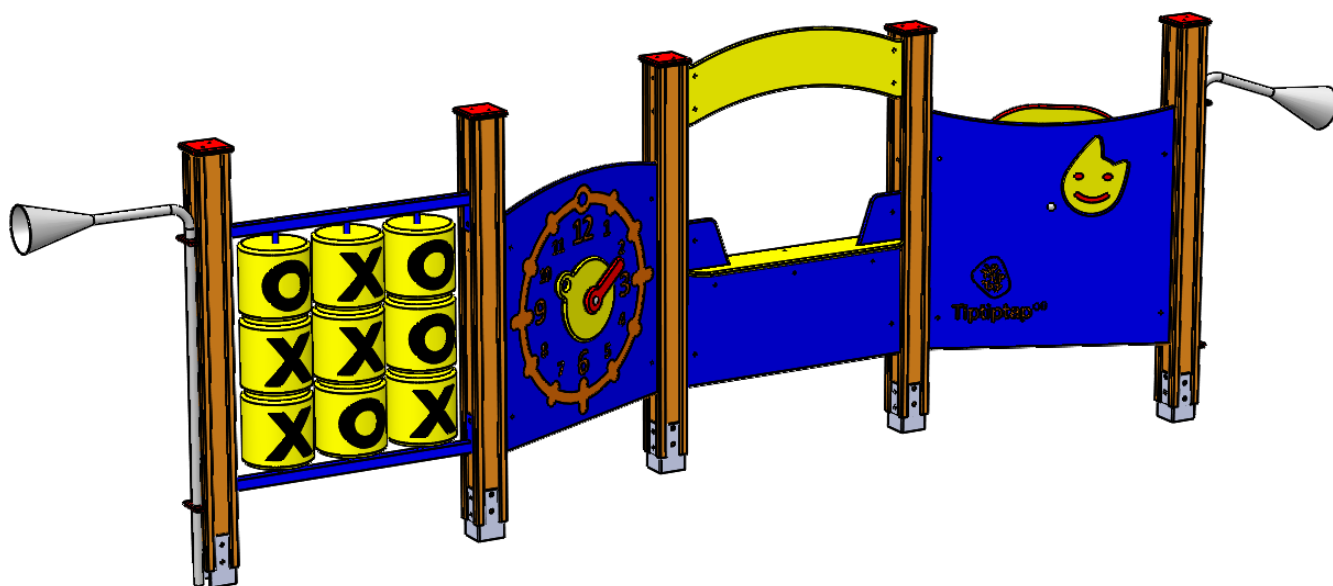
B

C

D

E

F



UNLESS OTHERWISE SPECIFIED:  
DIMENSIONS ARE IN MILLIMETERS  
WEIGHT ARE IN KILOGRAMM

PART NUMBER / DWG NO.:

AW11

	NAME	SIGNATURE	DATE	REVISION
DRAWN	R.Fedotov		20.01.2015	
APPV'D				

DESCRIPTION:

Activity wall



**Tiptiptap** OÜ

Tiptiptap OÜ  
Veetorni 9,  
Jüri alevik, Rae vald,  
75301 Harjumaa

MATERIAL:

wood, metal, plastic

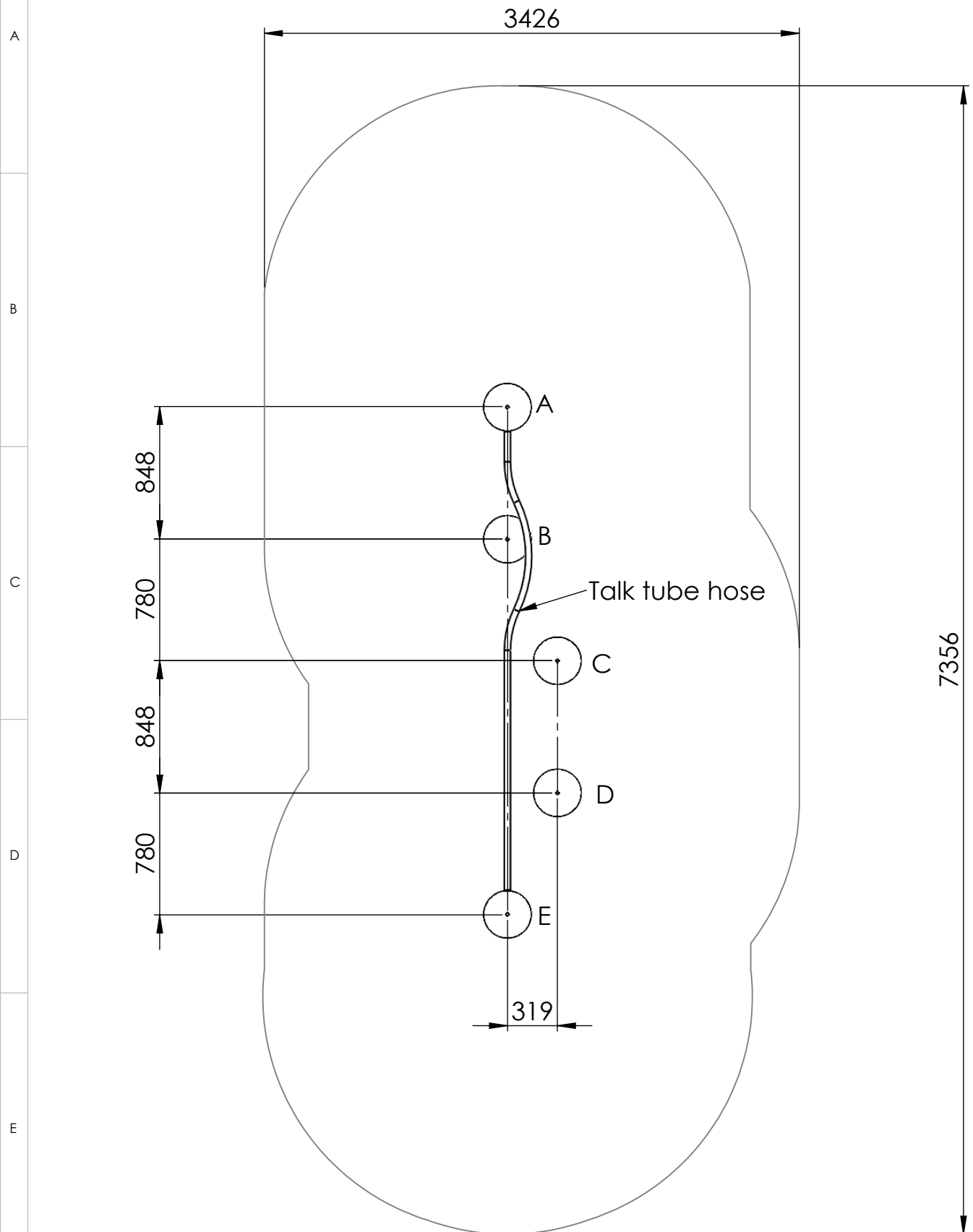
A4

WEIGHT:

SCALE: 1:19

SHEET 1 OF 10

# Foundation



UNLESS OTHERWISE SPECIFIED:  
DIMENSIONS ARE IN MILLIMETERS  
WEIGHT ARE IN KILOGRAMM

PART NUMBER / DWG NO.:

AW11

	NAME	SIGNATURE	DATE	REVISION
DRAWN	R.Fedotov		20.01.2015	
APPV'D				

DESCRIPTION:

Activity wall



**Tiptaptap** OÜ

Tiptaptap OÜ  
Veetorni 9,  
Jüri alevik, Rae vald,  
75301 Harjumaa

MATERIAL:

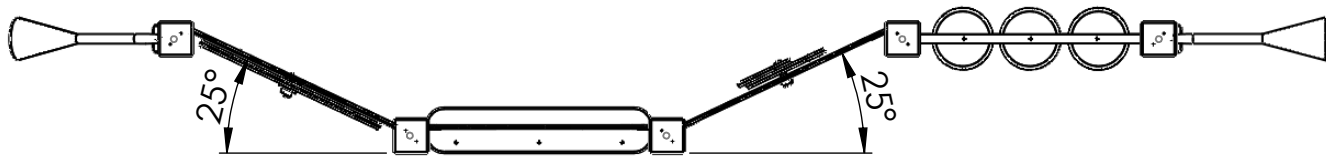
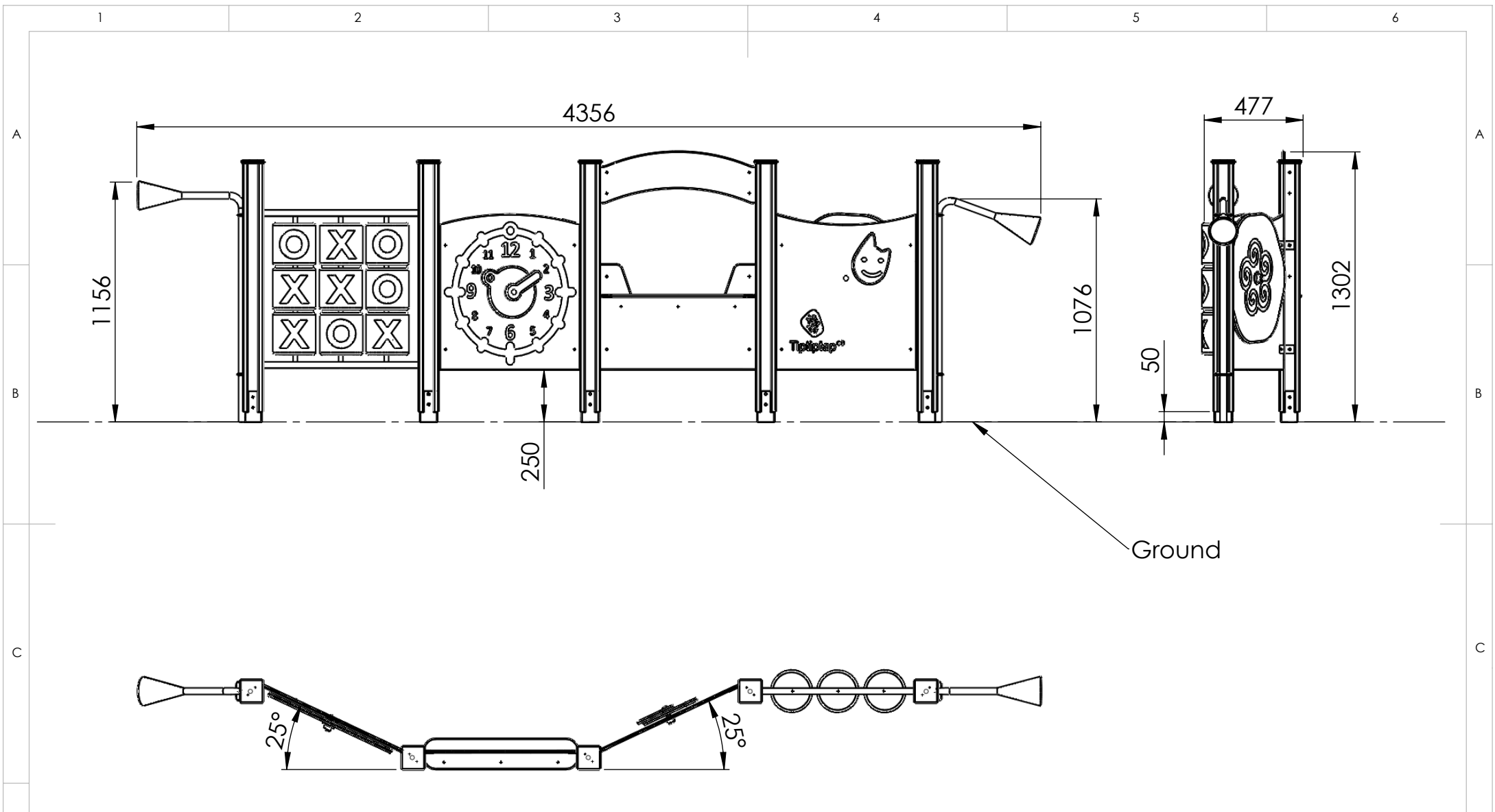
wood, metal, plastic

A4

WEIGHT:

SCALE: 1:35

SHEET 2 OF 10



UNLESS OTHERWISE SPECIFIED:  
 DIMENSIONS ARE IN MILLIMETERS  
 WEIGHT ARE IN KILOGRAMM

	NAME	SIGNATURE	DATE	REVISION
DRAWN	R.Fedotov		20.01.2015	
APPV'D				

PART NUMBER / DWG NO.:  
**AW11**

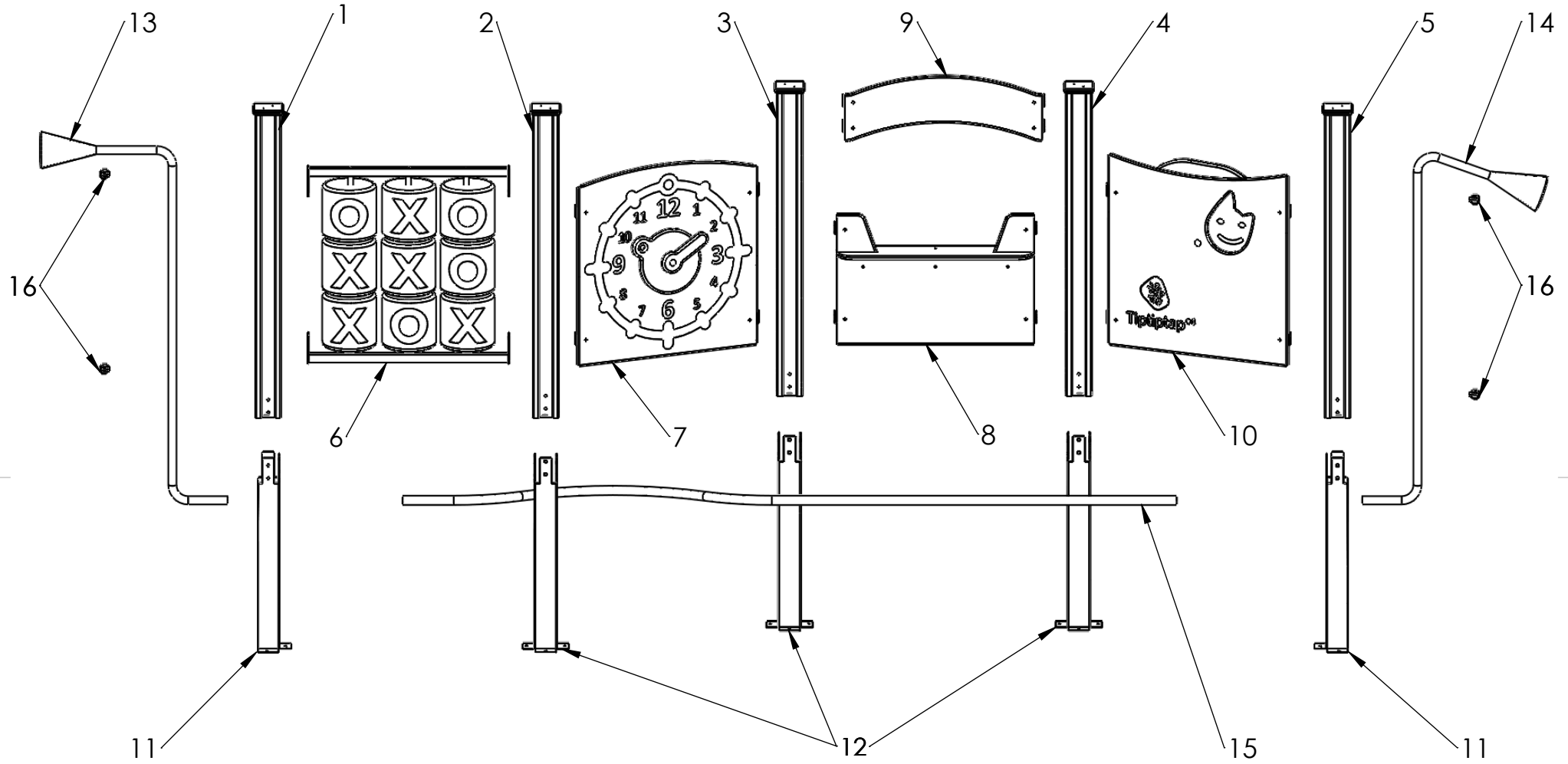
DESCRIPTION:  
**Activity wall**




**Tiptaptap** OÜ  
 Tiptaptap OÜ  
 Veetorni 9,  
 Jüri alevik, Rae vald,  
 75301 Harjumaa

MATERIAL:	wood, metal, plastic	A4
WEIGHT:		SCALE: 1:25
		SHEET 3 OF 10

# Details



UNLESS OTHERWISE SPECIFIED: DIMENSIONS ARE IN MILLIMETERS WEIGHT ARE IN KILOGRAMM					PART NUMBER / DWG NO.: <b>AW11</b>	
	NAME	SIGNATURE	DATE	REVISION	DESCRIPTION: <b>Activity wall</b>	
DRAWN	R.Fedotov		20.01.2015			
APPV'D						
 <b>Tiptaptap</b> OÜ Tiptaptap OÜ Veetorni 9, Jüri alevik, Rae vald, 75301 Harjumaa					MATERIAL:	wood, metal, plastic
					WEIGHT:	SCALE: 1:22
					SHEET 4 OF 10	

	1	2	3	4
	ITEM NO.	PART NUMBER	Description	QTY.
A	1	Post A	laminated wood	1
	2	Post B	laminated wood	1
	3	Post C	laminated wood	1
B	4	Post D	laminated wood	1
	5	Post E	laminated wood	1
	6	OXO spinner	PE plastic	1
	7	Panel Clock	Plywood, PE plastic, galvanized steel	1
C	8	Panel with tabel	Plywood	1
	9	upper panel	Plywood	1
	10	Panel Emotions	Plywood, PE plastic	1
	11	U ground fixing, with hole	metal	2
	12	U ground fixing	UU maakinnitus profiil	3
D	13	Talk tube 90°	Talk tube 90°	1
	14	Talk tube 70°	Talk tube 70°	1
	15	Hose	Plastic, metal	1
	16	Talk tube fixing	PE plastic	4
E				

UNLESS OTHERWISE SPECIFIED:  
DIMENSIONS ARE IN MILLIMETERS  
WEIGHT ARE IN KILOGRAMM

PART NUMBER / DWG NO.:  
**AW11**

	NAME	SIGNATURE	DATE	REVISION
DRAWN	R.Fedotov		20.01.2015	
APPV'D				

DESCRIPTION:  
**Activity wall**


**Tiptiptap** OÜ  
 Veetorni 9,  
 Jüri alevik, Rae vald,  
 75301 Harjumaa

MATERIAL:	wood, metal, plastic	A4
WEIGHT:		SCALE: 1:25
		SHEET 5 OF 10

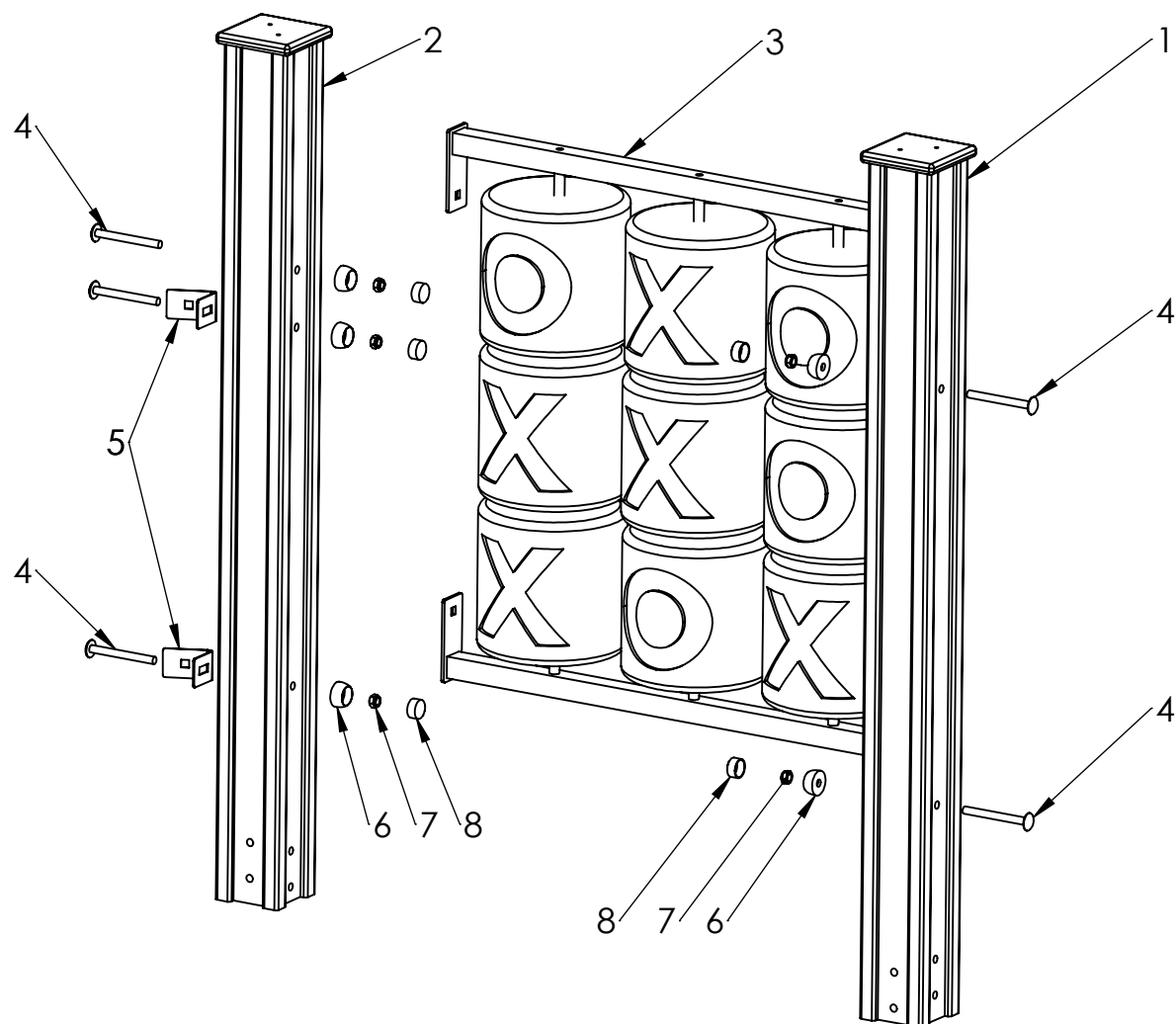
## OXO spinneri ühendamine

A

B

C

D



E

ITEM NO.	PART NUMBER	Description
1	Post A	laminated wood
2	Post B	laminated wood
3	OXO spinner	PE plastic
4	bolt DIN603 M10x100	galvanized steel
5	Corner 65°	Galvanized steel
6	nut cover M10	nut cover M10
7	nut DIN985 M10	galvanized steel
8	nut cover cap M10	PE plastic

F

UNLESS OTHERWISE SPECIFIED:  
DIMENSIONS ARE IN MILLIMETERS  
WEIGHT ARE IN KILOGRAMM

PART NUMBER / DWG NO.:

AW11

	NAME	SIGNATURE	DATE	REVISION
DRAWN	R.Fedotov		20.01.2015	
APPV'D				

DESCRIPTION:

Activity wall



**Tiptap** OÜ

Tiptap OÜ  
Veetorni 9,  
Jüri alevik, Rae vald,  
75301 Harjumaa

MATERIAL:

wood, metal, plastic

A4

WEIGHT:

SCALE: 1:10

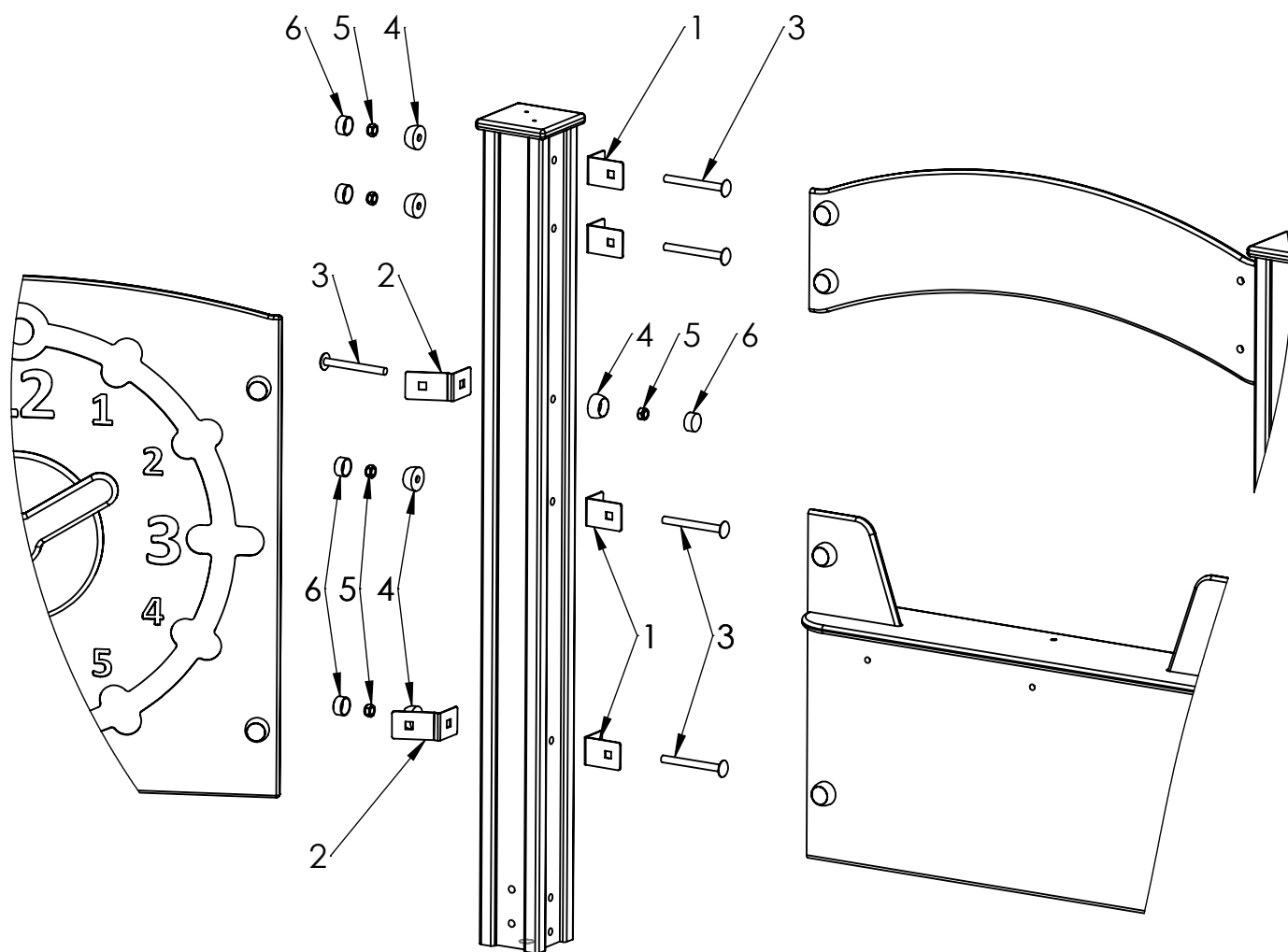
SHEET 6 OF 10

A

B

C

D



E

ITEM NO.	PART NUMBER	Description
1	Corner 90°	Galvanized steel
2	corner 115°	Galvanized steel
3	bolt DIN603 M10x100	galvanized steel
4	nut cover M10	nut cover M10
5	nut DIN985 M10	galvanized steel
6	nut cover cap M10	PE plastic

F

UNLESS OTHERWISE SPECIFIED:  
DIMENSIONS ARE IN MILLIMETERS  
WEIGHT ARE IN KILOGRAMM

PART NUMBER / DWG NO.:

AW11

	NAME	SIGNATURE	DATE	REVISION
DRAWN	R.Fedotov		20.01.2015	
APPV'D				

DESCRIPTION:

Activity wall



**Tiptiptap** OÜ

Tiptiptap OÜ  
Veetorni 9,  
Jüri alevik, Rae vald,  
75301 Harjumaa

MATERIAL:

wood, metal, plastic

A4

WEIGHT:

SCALE: 1:10

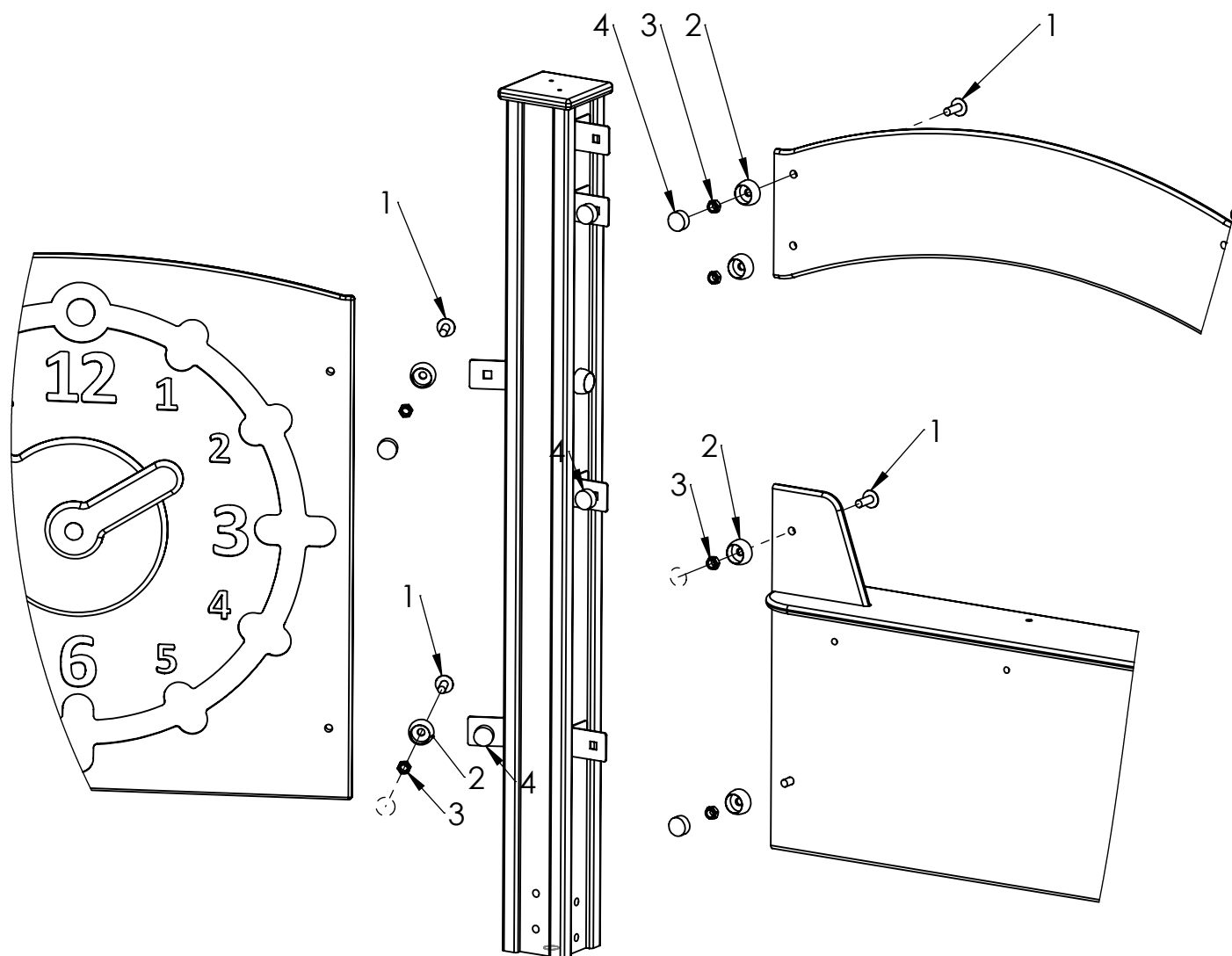
SHEET 7 OF 10

A

B

C

D



E

ITEM NO.	PART NUMBER	Description
1	bolt DIN603 M10x30	galvanized steel
2	nut cover M10	nut cover M10
3	nut DIN985 M10	galvanized steel
4	nut cover cap M10	PE plastic

UNLESS OTHERWISE SPECIFIED:  
DIMENSIONS ARE IN MILLIMETERS  
WEIGHT ARE IN KILOGRAMM

PART NUMBER / DWG NO.:

AW11

	NAME	SIGNATURE	DATE	REVISION
DRAWN	R.Fedotov		20.01.2015	
APPV'D				

DESCRIPTION:

Activity wall

F



**Tiptiptap** OÜ

Tiptiptap OÜ  
Veetorni 9,  
Jüri alevik, Rae vald,  
75301 Harjumaa

MATERIAL:

wood, metal, plastic

A4

WEIGHT:

SCALE: 1:9

SHEET 8 OF 10

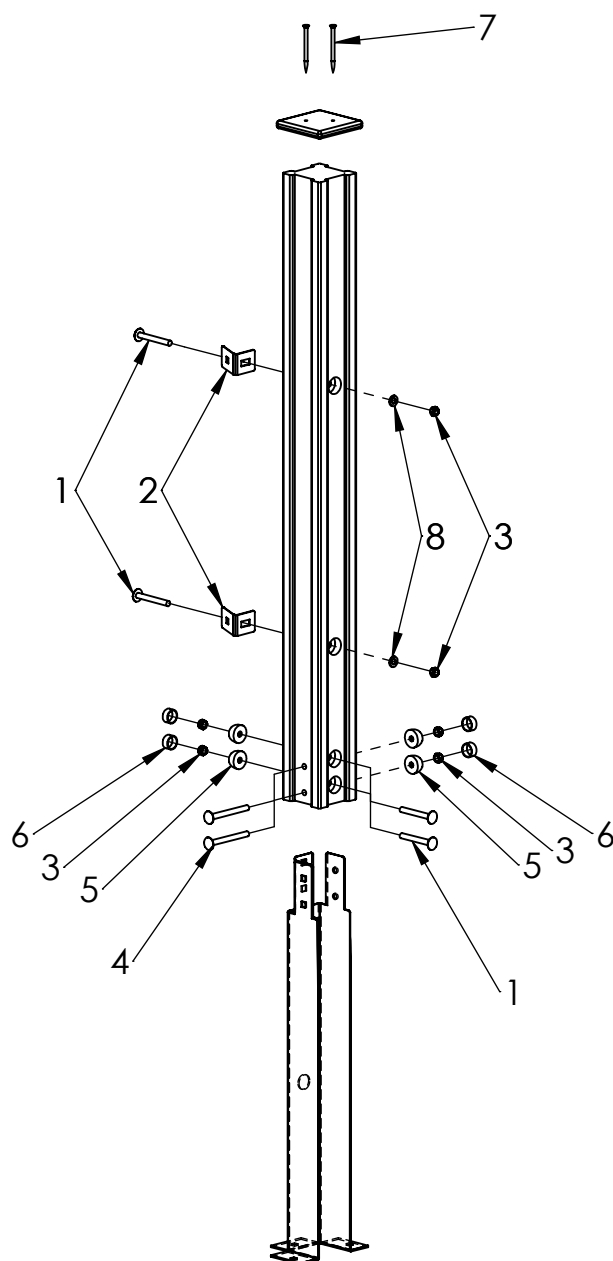


A

B

C

D



E

F

ITEM NO.	PART NUMBER	Description
1	bolt DIN603 M10x80	galvanized steel
2	Corner 65°	Galvanized steel
3	nut DIN985 M10	galvanized steel
4	bolt DIN603 M10x100	galvanized steel
5	nut cover M10	nut cover M10
6	nut cover cap M10	PE plastic
7	woodscrew 6 x 90	galvanized steel

UNLESS OTHERWISE SPECIFIED:  
DIMENSIONS ARE IN MILLIMETERS  
WEIGHT ARE IN KILOGRAMM

PART NUMBER / DWG NO.:

AW11

	NAME	SIGNATURE	DATE	REVISION
DRAWN	R.Fedotov		20.01.2015	
APPV'D				

DESCRIPTION:

Activity wall

MATERIAL:

wood, metal, plastic

A4

WEIGHT:

SCALE: 1:14

SHEET 9 OF 10



**Tiptiptap** OÜ

Tiptiptap OÜ  
Veetorni 9,  
Jüri alevik, Rae vald,  
75301 Harjumaa

A

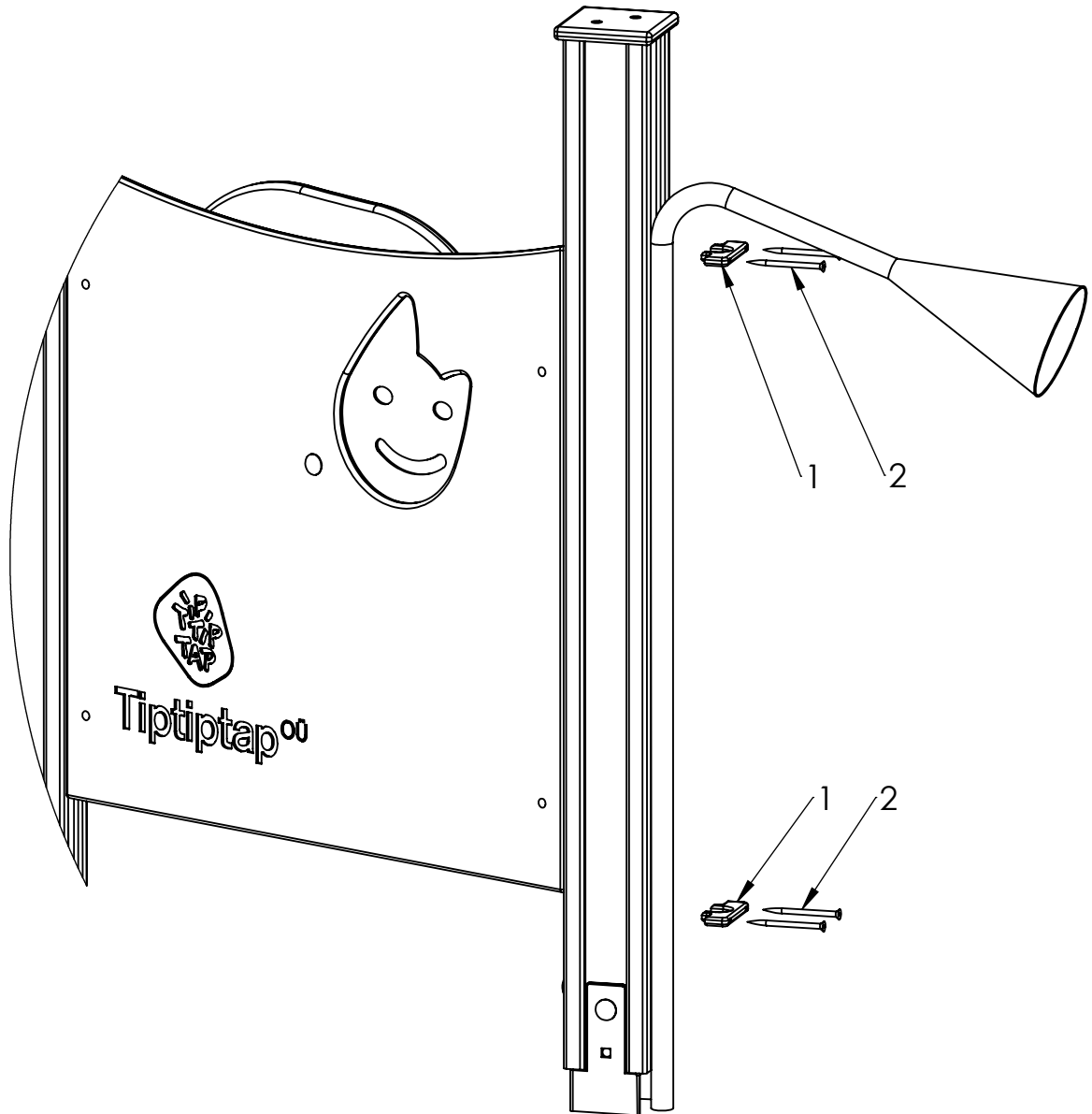
B

C

D

E

F



ITEM NO.	PART NUMBER	Description
1	Talk tube fixing	PE plastic
2	woodscrew 6 x 90	galvanized steel

UNLESS OTHERWISE SPECIFIED: DIMENSIONS ARE IN MILLIMETERS WEIGHT ARE IN KILOGRAMM				
	NAME	SIGNATURE	DATE	REVISION
DRAWN	R.Fedotov		20.01.2015	
APPV'D				

PART NUMBER / DWG NO.:	AW11
DESCRIPTION:	Activity wall



**Tiptiptap** OÜ  
Veetorni 9,  
Jüri alevik, Rae vald,  
75301 Harjumaa

MATERIAL:	wood, metal, plastic	A4
WEIGHT:	SCALE: 1:8	SHEET 10 OF 10