

A

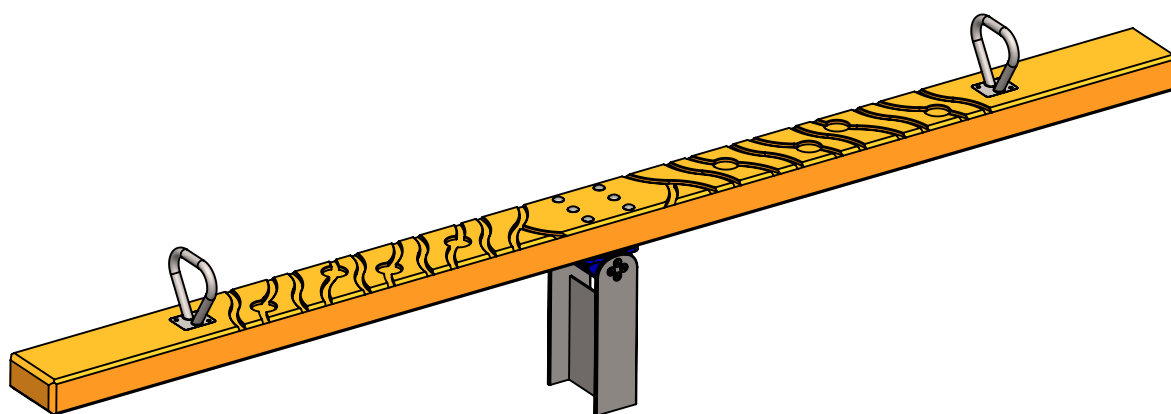
B

C

D

E

F



UNLESS OTHERWISE SPECIFIED:
DIMENSIONS ARE IN MILLIMETERS
WEIGHT ARE IN KILOGRAMM

PART NUMBER / DWG NO.:

AM300

| | NAME | SIGNATURE | DATE | REVISION |
|--------|-----------|-----------|------------|----------|
| DRAWN | R.Fedotov | | 17.07.2015 | |
| APPV'D | | | | |

DESCRIPTION:

See-Saw Amazon



Tiptaptap OÜ

Tiptaptap OÜ
Veetorni 9,
Jüri alevik, Rae vald,
75301 Harjumaa

MATERIAL:

wood, metal, plastic

A4

WEIGHT: 48 kg

SCALE: 1:20

SHEET 1 OF 4

Safety area

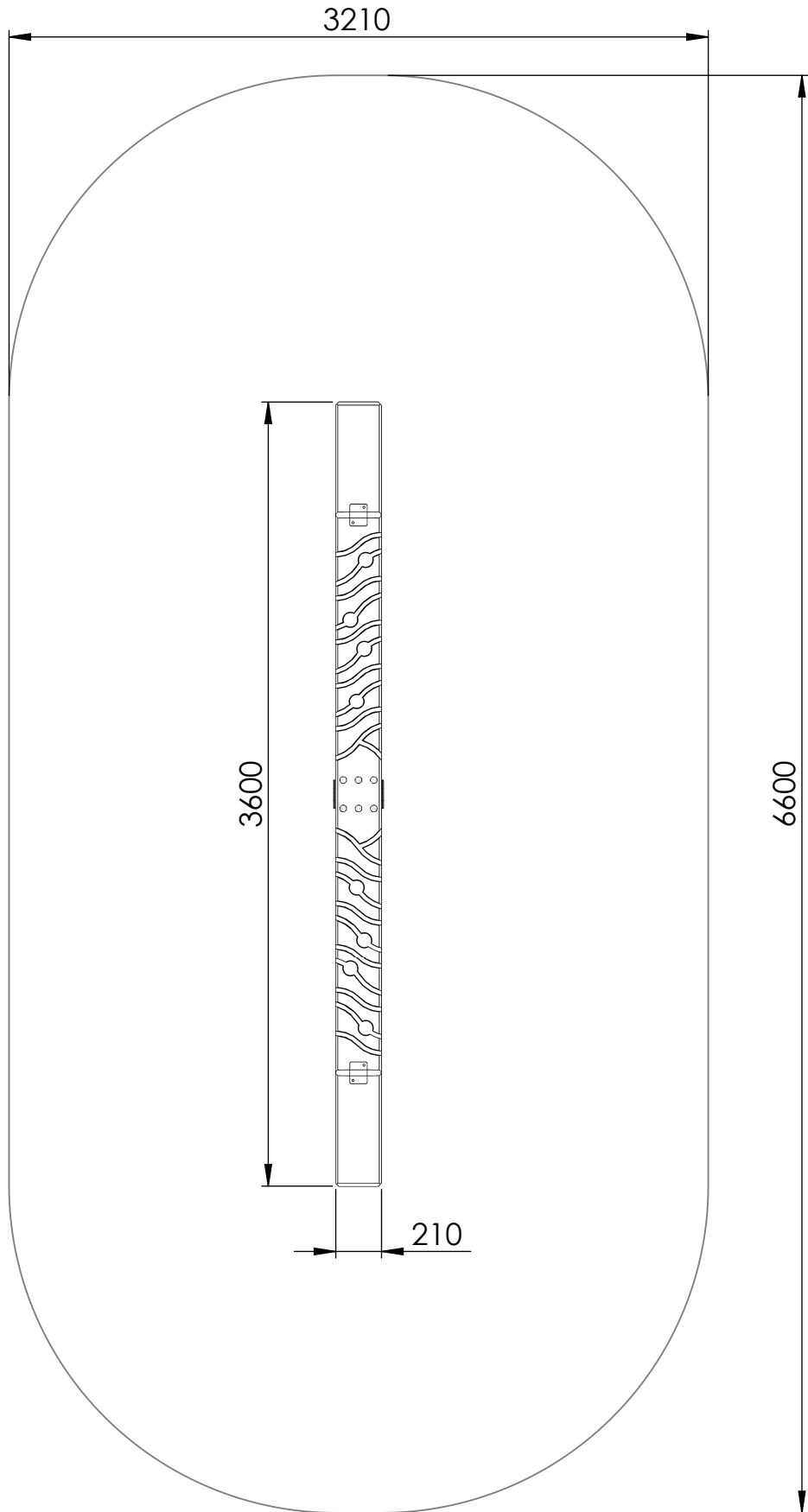
A

B

C

D

E



UNLESS OTHERWISE SPECIFIED:
 DIMENSIONS ARE IN MILLIMETERS
 WEIGHT ARE IN KILOGRAMM

PART NUMBER / DWG NO.:
AM300

| | NAME | SIGNATURE | DATE | REVISION |
|--------|-----------|-----------|------------|----------|
| DRAWN | R.Fedotov | | 17.07.2015 | |
| APPV'D | | | | |

DESCRIPTION:
See-Saw Amazon

 **Tiptaptap** OÜ
 Veetorni 9,
 Jüri alevik, Rae vald,
 75301 Harjumaa

| | | |
|---------------|----------------------|--------------|
| MATERIAL: | wood, metal, plastic | A4 |
| WEIGHT: 48 kg | SCALE: 1:30 | SHEET 2 OF 4 |

Dimensions

A

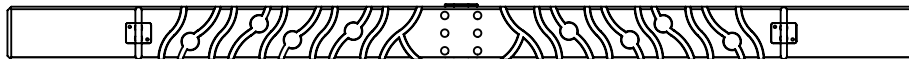
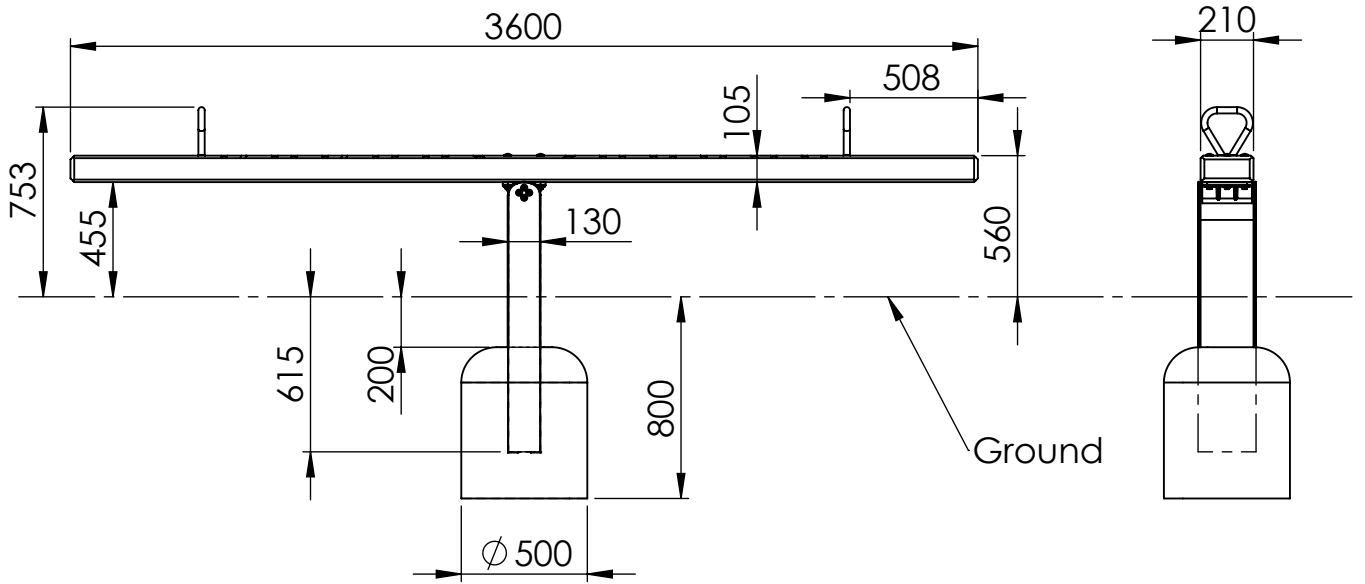
B

C

D

E

F



| | | | | |
|---|-----------|-----------|------------|----------|
| UNLESS OTHERWISE SPECIFIED: DIMENSIONS ARE IN MILLIMETERS WEIGHT ARE IN KILOGRAMM | | | | |
| | NAME | SIGNATURE | DATE | REVISION |
| DRAWN | R.Fedotov | | 17.07.2015 | |
| APPV'D | | | | |

| | |
|------------------------|----------------|
| PART NUMBER / DWG NO.: | AM300 |
| DESCRIPTION: | See-Saw Amazon |



Tiptaptap OÜ
Veetorni 9,
Jüri alevik, Rae vald,
75301 Harjumaa

| | | |
|---------------|----------------------|--------------|
| MATERIAL: | wood, metal, plastic | A4 |
| WEIGHT: 48 kg | SCALE: 1:30 | SHEET 3 OF 4 |

Exploded view

A

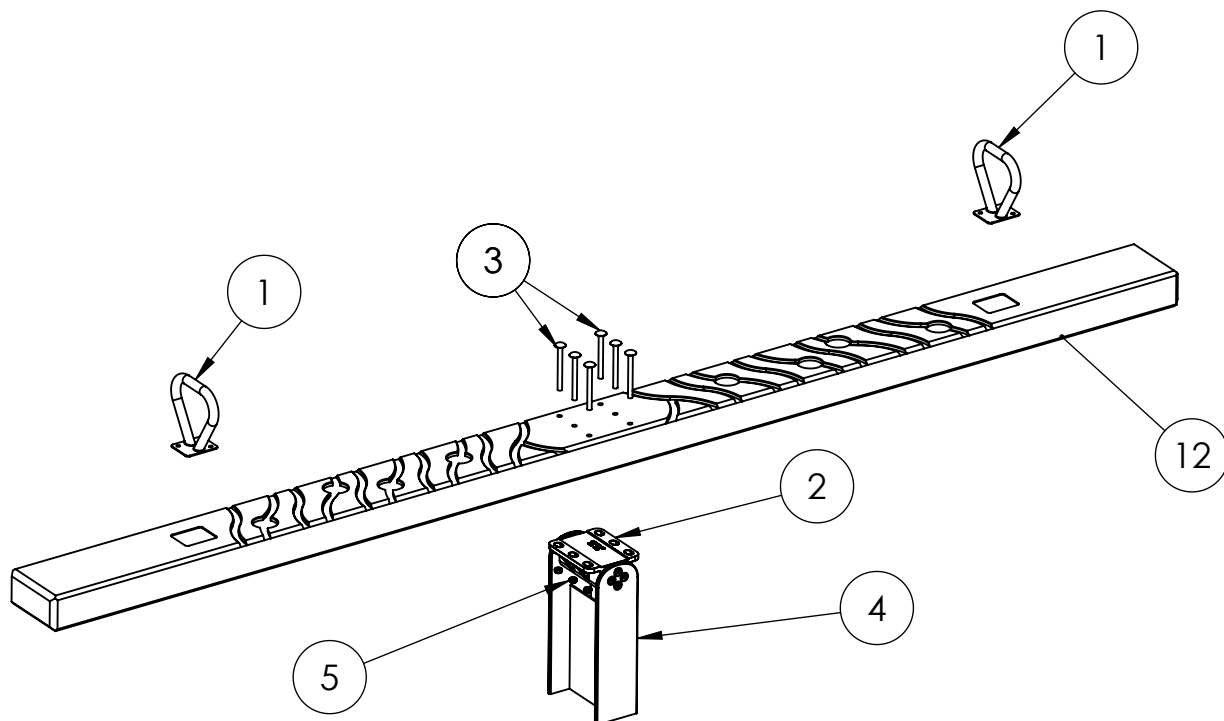
B

C

D

E

F



| ITEM NO. | PART NUMBER | DESCRIPTION |
|----------|---------------------------|------------------|
| 1 | handle | stainless steel |
| 2 | Torsioon EN-JS 1030 | |
| 3 | bolt DIN603 M12x130 | galvanized steel |
| 4 | AM kaalukiige maakinnitus | galvanized steel |
| 5 | nut DIN985 M12 | galvanized steel |

UNLESS OTHERWISE SPECIFIED:
DIMENSIONS ARE IN MILLIMETERS
WEIGHT ARE IN KILOGRAMM

PART NUMBER / DWG NO.:

AM300

| | NAME | SIGNATURE | DATE | REVISION |
|--------|-----------|-----------|------------|----------|
| DRAWN | R.Fedotov | | 17.07.2015 | |
| APPV'D | | | | |

DESCRIPTION:

See-Saw Amazon



Tiptap OÜ

Tiptap OÜ
Veetorni 9,
Jüri alevik, Rae vald,
75301 Harjumaa

MATERIAL:

wood, metal, plastic

A4

WEIGHT: 48 kg

SCALE: 1:20

SHEET 4 OF 4