

1

2

3

4

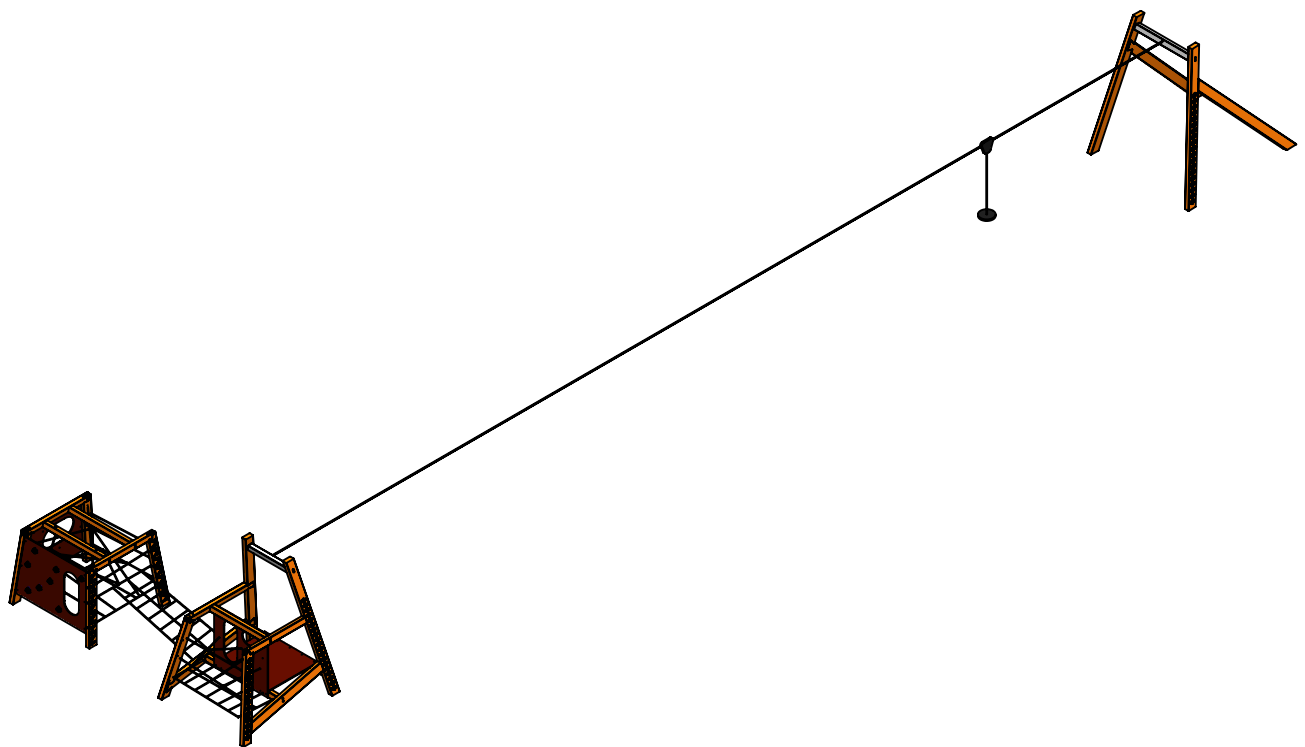
A

B

C

D

E



UNLESS OTHERWISE SPECIFIED:  
 DIMENSIONS ARE IN MILLIMETERS  
 WEIGHT ARE IN KILOGRAMM

PART NUMBER / DWG NO.:  
**AM014**

	NAME	SIGNATURE	DATE	REVISION
DRAWN	M.Rebase		07.02.2013	
APPV'D				

DESCRIPTION:  
**AMAZON**


**Tiptaptap** OÜ  
 Veetorni 9,  
 Jüri alevik, Rae vald,  
 75301 Harjumaa

MATERIAL:	wood, metal, plastic	A4
WEIGHT:	SCALE: 1:150	SHEET 1 OF 7

safety area

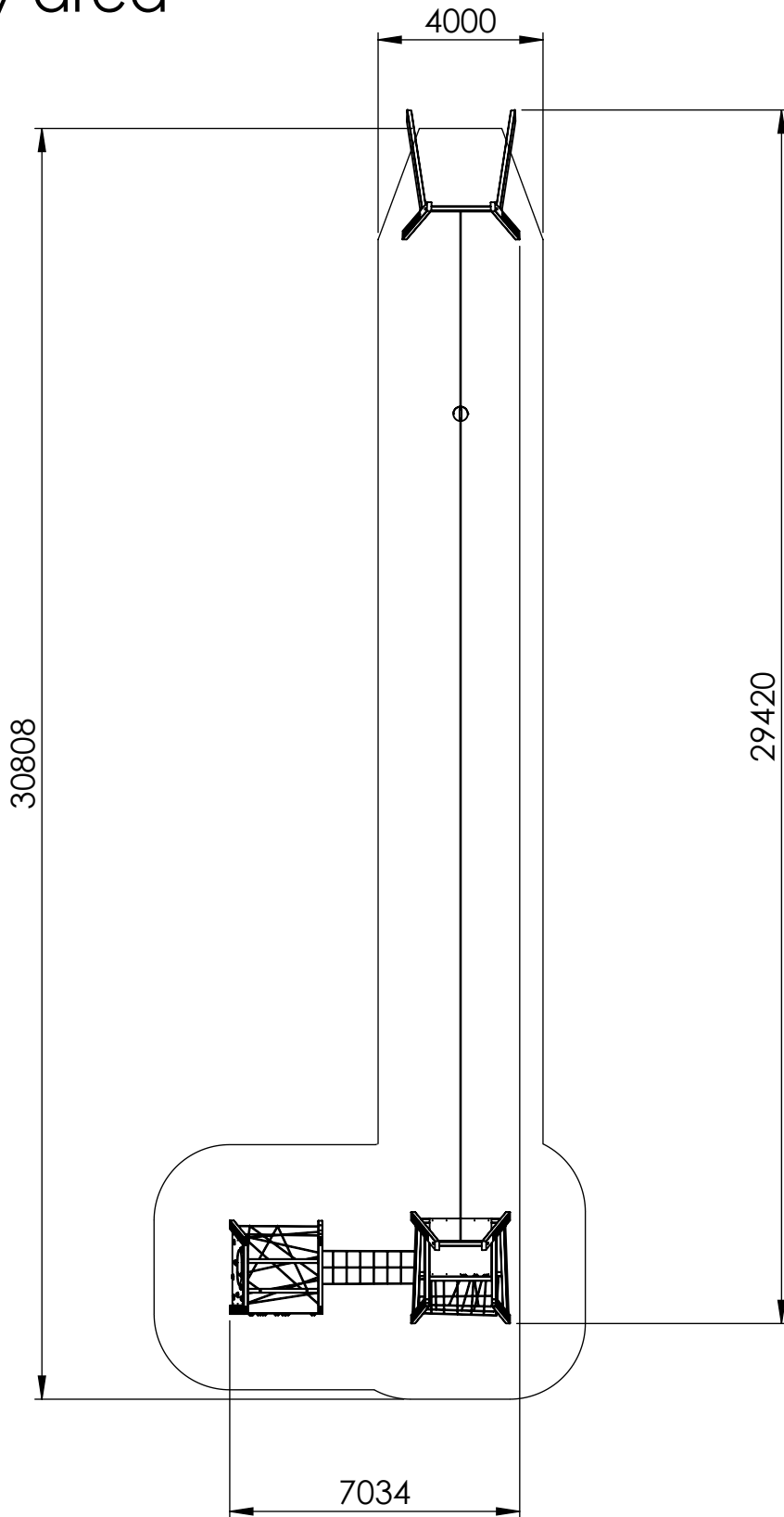
A

B

C

D

E



UNLESS OTHERWISE SPECIFIED:  
DIMENSIONS ARE IN MILLIMETERS  
WEIGHT ARE IN KILOGRAMM

PART NUMBER / DWG NO.:

AM014

	NAME	SIGNATURE	DATE	REVISION
DRAWN	M.Rebase		07.02.2013	
APPV'D				

DESCRIPTION:

AMAZON



**Tiptaptap** OÜ

Tiptaptap OÜ  
Veetorni 9,  
Jüri alevik, Rae vald,  
75301 Harjumaa

MATERIAL:

wood, metal, plastic

A4

WEIGHT:

SCALE: 1:170

SHEET 2 OF 7

# foundation

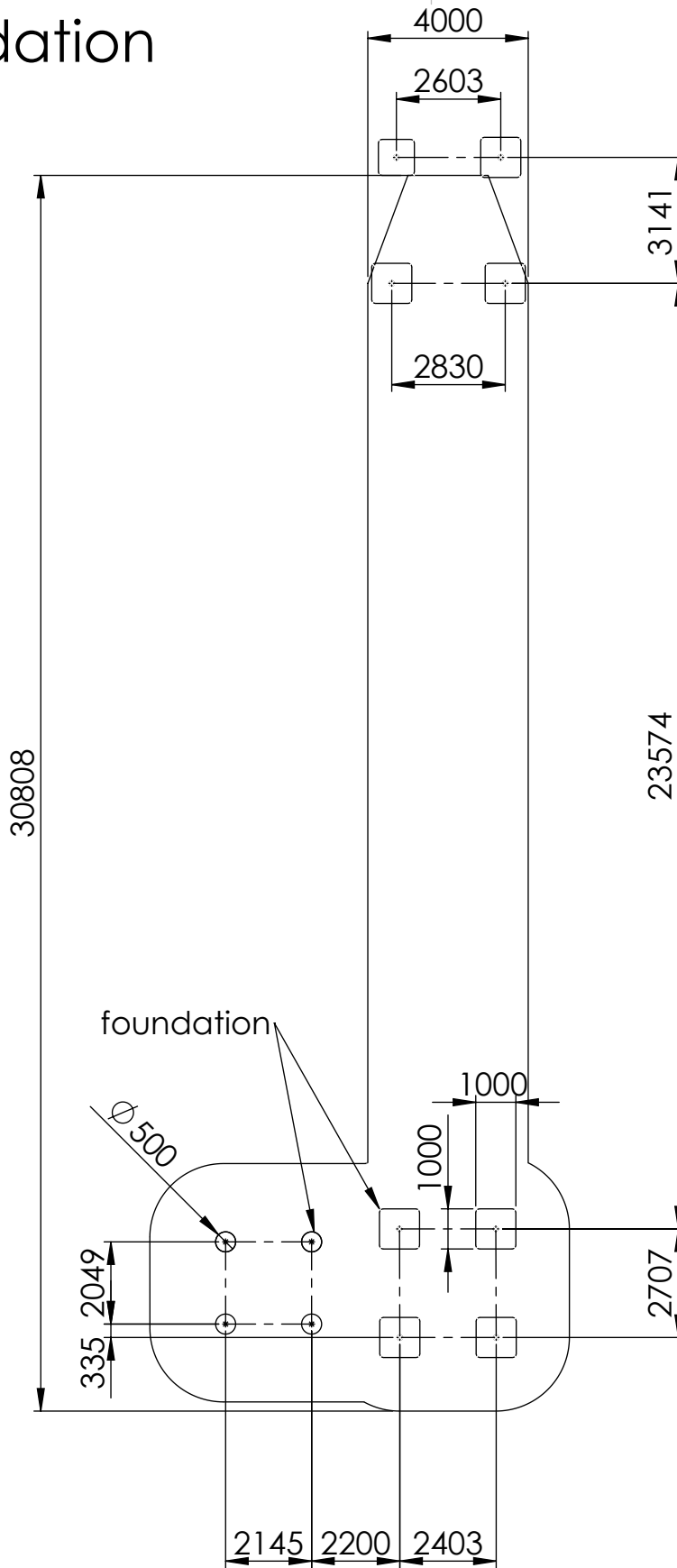
A

B

C

D

E



depth of foundation 700mm

UNLESS OTHERWISE SPECIFIED:  
DIMENSIONS ARE IN MILLIMETERS  
WEIGHT ARE IN KILOGRAMM

PART NUMBER / DWG NO.:

AM014

	NAME	SIGNATURE	DATE	REVISION
DRAWN	M.Rebase		07.02.2013	
APPV'D				

DESCRIPTION:

AMAZON

F



**Tiptaptap** OÜ

Tiptaptap OÜ  
Veetorni 9,  
Jüri alevik, Rae vald,  
75301 Harjumaa

MATERIAL:

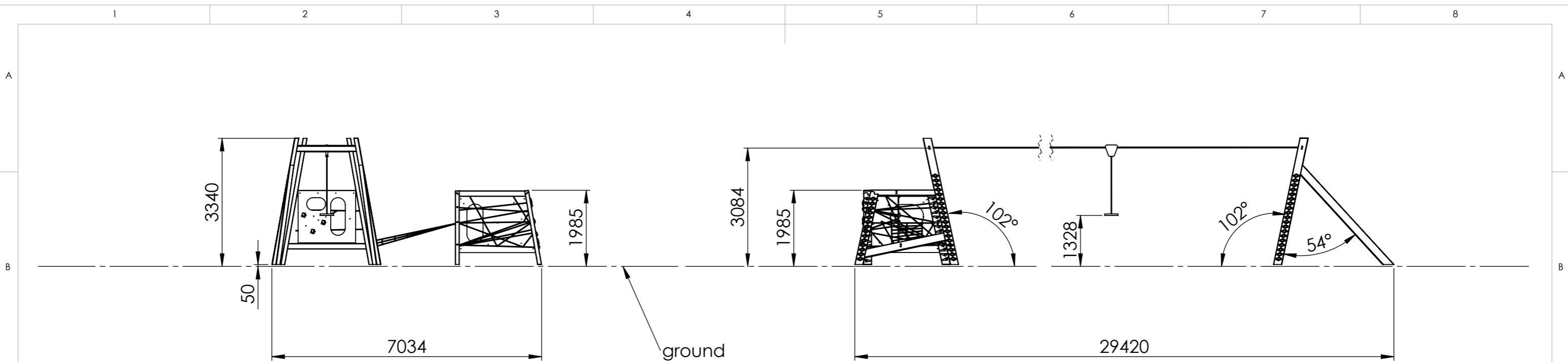
wood, metal, plastic

A4

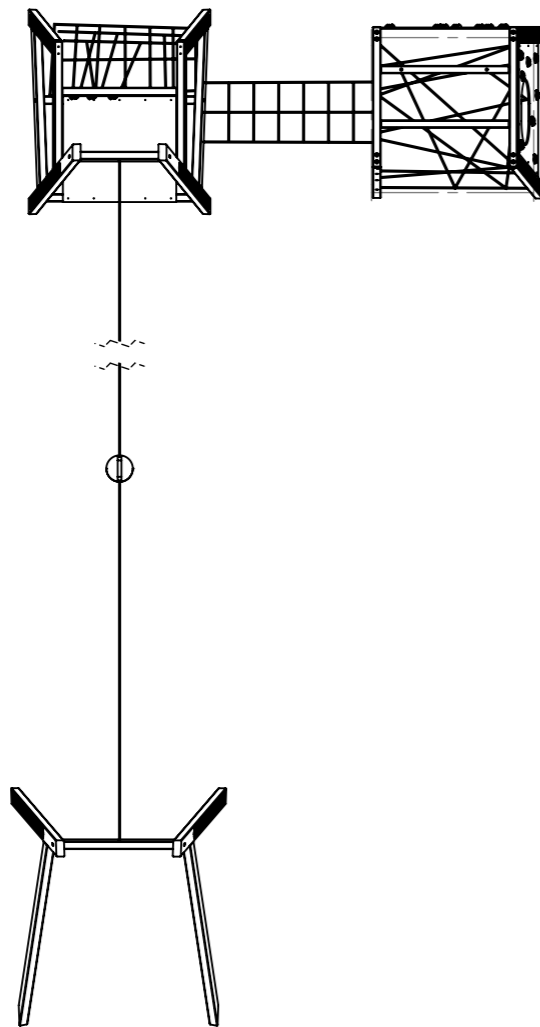
WEIGHT:


SCALE: 1:170

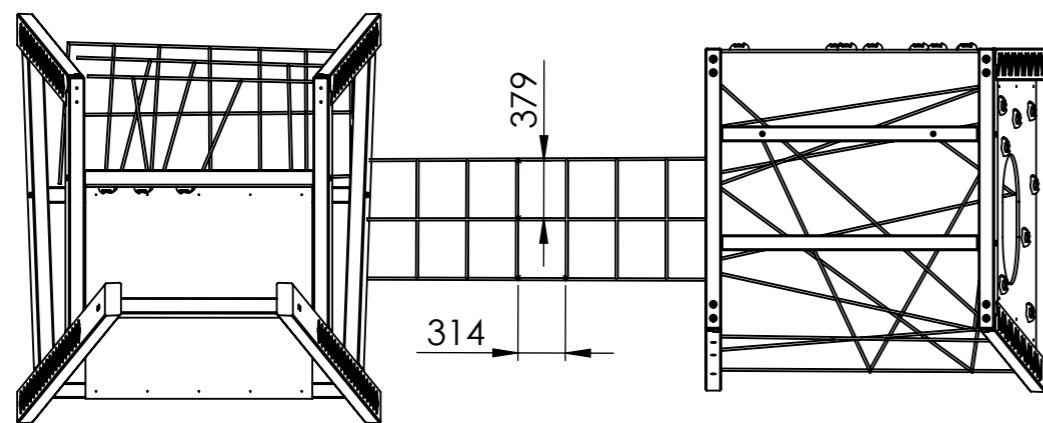
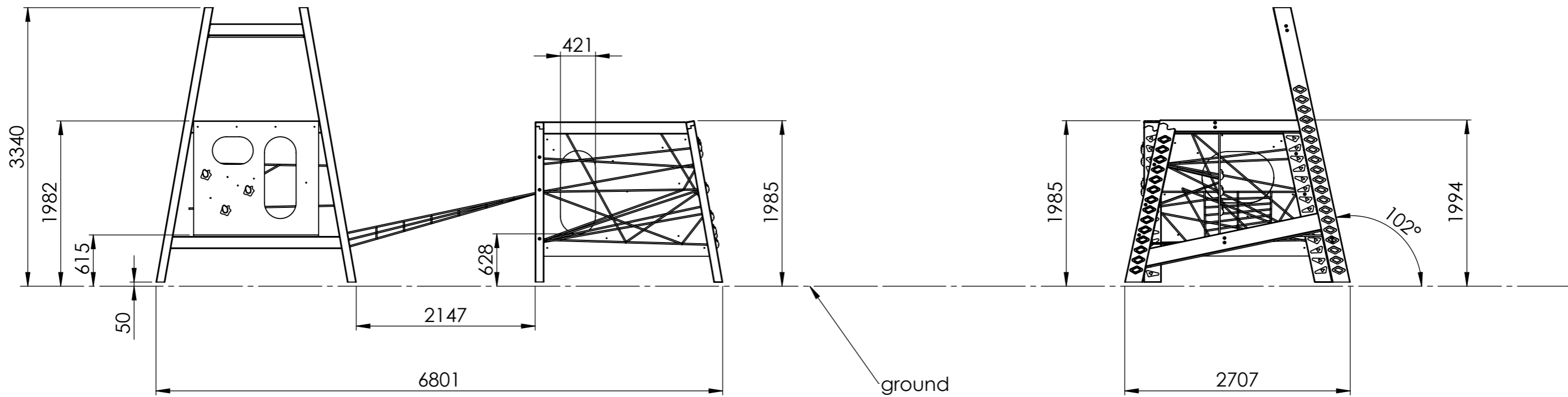
SHEET 3 OF 7



One of the towers should be installed at the altitude higher than the level at which the second tower was installed. The difference: at least 0.5m.

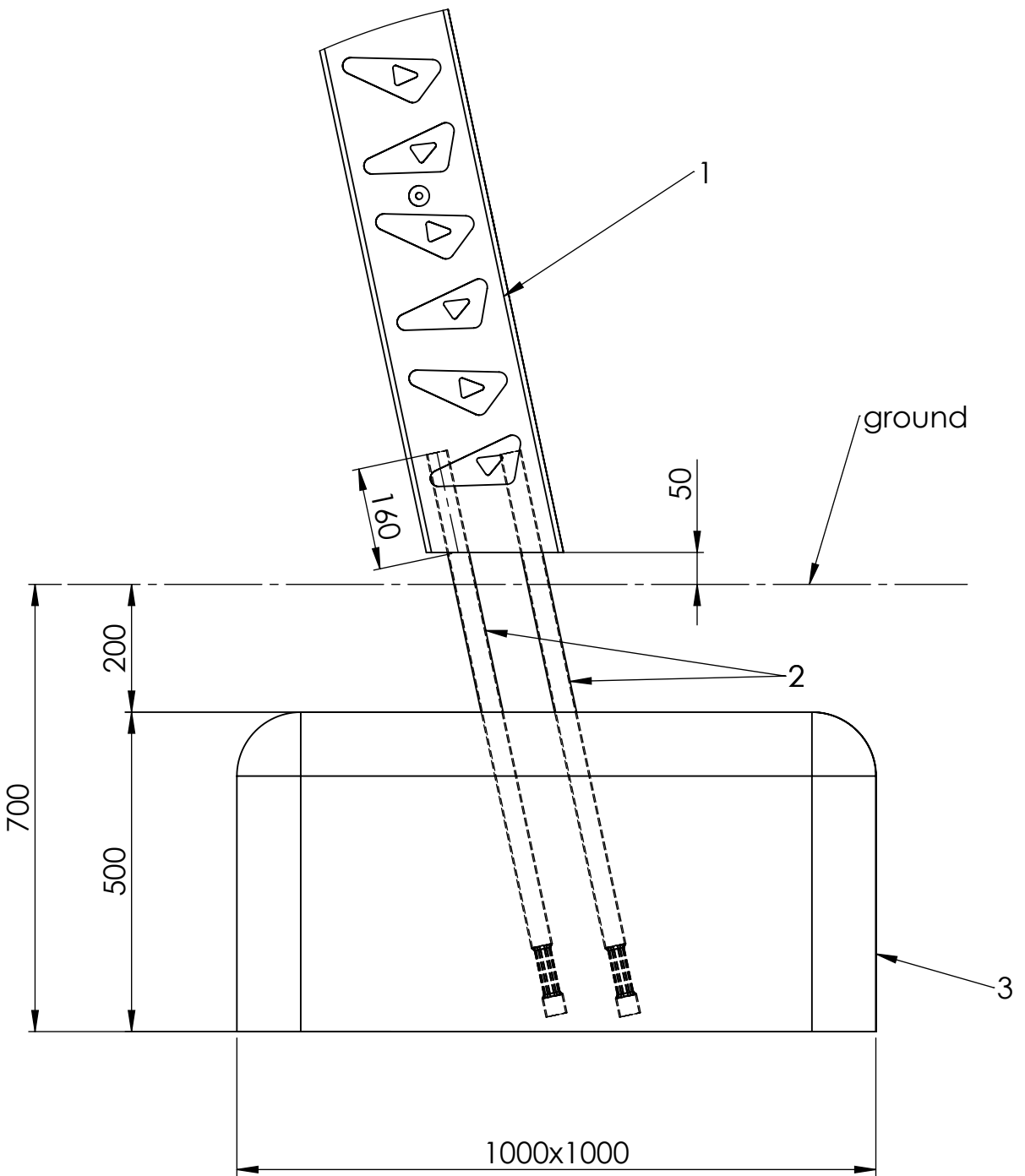


UNLESS OTHERWISE SPECIFIED: DIMENSIONS ARE IN MILLIMETERS WEIGHT ARE IN KILOGRAMM				PART NUMBER / DWG NO.:		AM014	
	NAME	SIGNATURE	DATE	REVISION	DESCRIPTION:		
DRAWN	M.Rebase		07.02.2013		AMAZON		
APPV'D					MATERIAL:	wood, metal, plastic	A3
 <b>Tiptaptap</b> OÜ Tiptaptap OÜ Veetorni 9, Jüri alevik, Rae vald, 75301 Harjumaa				WEIGHT:	SCALE: 1:100	SHEET 4 OF 7	



UNLESS OTHERWISE SPECIFIED: DIMENSIONS ARE IN MILLIMETERS WEIGHT ARE IN KILOGRAMM				PART NUMBER / DWG NO.:	
				AM014	
				DESCRIPTION:	
				AMAZON	
				MATERIAL:	
				wood, metal, plastic	
				WEIGHT:	
				SCALE: 1:50	
				SHEET 5 OF 7	


**Tiptap** OÜ  
 Veetorni 9,  
 Jüri alevik, Rae vald,  
 75301 Harjumaa



ITEM NO.	PART NUMBER
1	post 105x210
2	metal ground fixing L_900
3	concrete

UNLESS OTHERWISE SPECIFIED:  
DIMENSIONS ARE IN MILLIMETERS  
WEIGHT ARE IN KILOGRAMM

PART NUMBER / DWG NO.:

AM014

	NAME	SIGNATURE	DATE	REVISION
DRAWN	M.Rebase		07.02.2013	
APPV'D				

DESCRIPTION:

AMAZON



**Tiptap** OÜ

Tiptap OÜ  
Veetorni 9,  
Jüri alevik, Rae vald,  
75301 Harjumaa

MATERIAL:

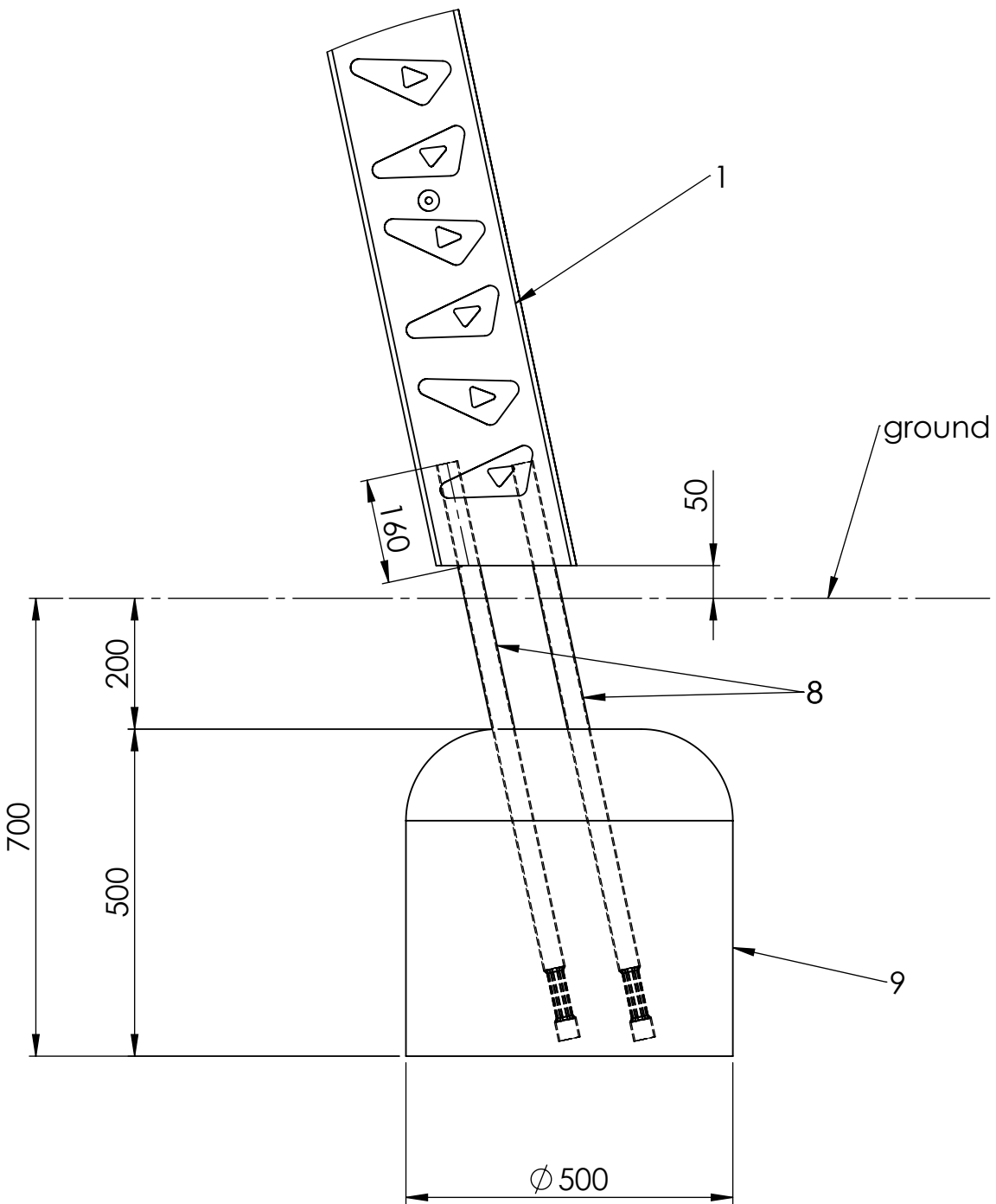
wood, metal, plastic

A4

WEIGHT:

SCALE: 1:10

SHEET 6 OF 7



ITEM NO.	PART NUMBER
1	post 105x210
2	metal ground fixing L_900
3	concrete

UNLESS OTHERWISE SPECIFIED:  
DIMENSIONS ARE IN MILLIMETERS  
WEIGHT ARE IN KILOGRAMM

PART NUMBER / DWG NO.:

AM014

	NAME	SIGNATURE	DATE	REVISION
DRAWN	M.Rebase		07.02.2013	
APPV'D				

DESCRIPTION:

AMAZON



**Tiptap** OÜ

Tiptap OÜ  
Veetorni 9,  
Jüri alevik, Rae vald,  
75301 Harjumaa

MATERIAL:

wood, metal, plastic

A4

WEIGHT:

SCALE: 1:10

SHEET 7 OF 7