

1

2

3

4

A

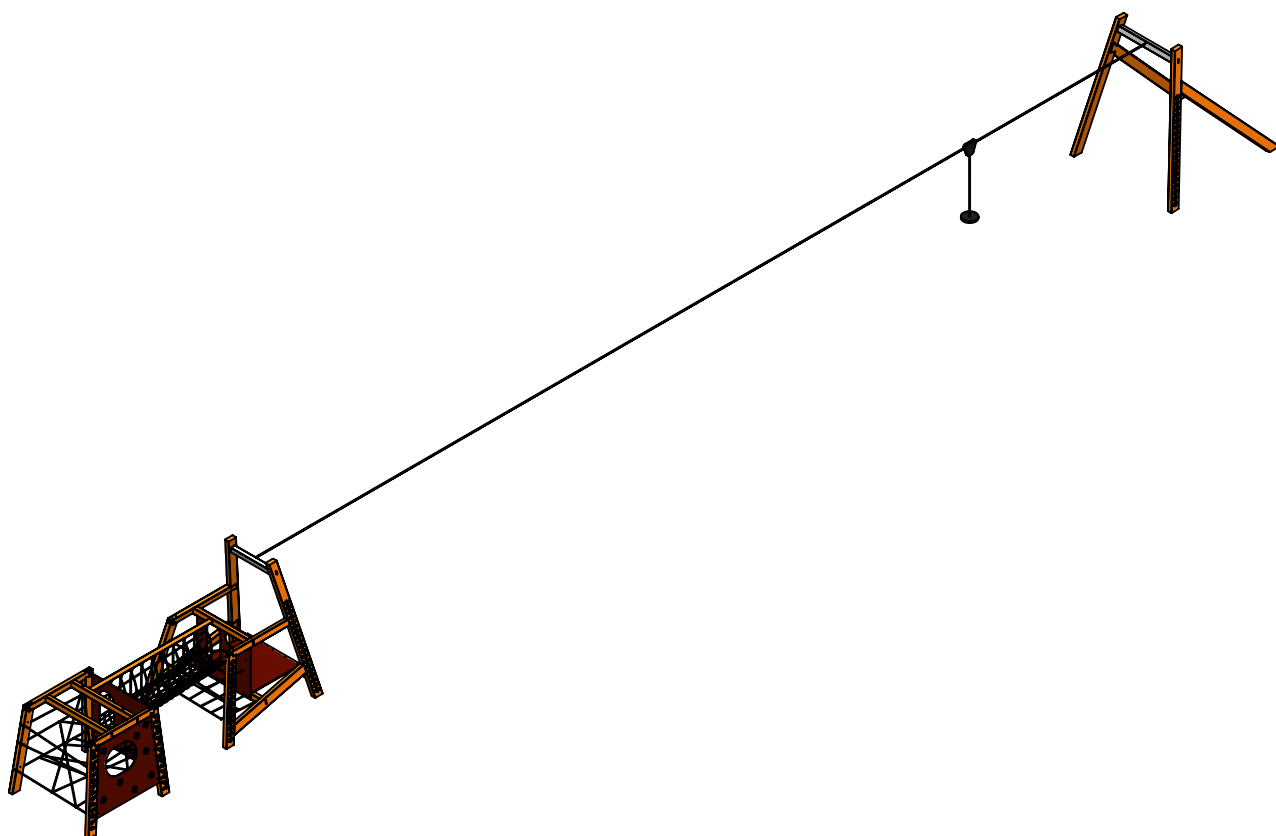
B

C

D

E

F



UNLESS OTHERWISE SPECIFIED:
DIMENSIONS ARE IN MILLIMETERS
WEIGHT ARE IN KILOGRAMM

PART NUMBER / DWG NO.:

AM013

	NAME	SIGNATURE	DATE	REVISION
DRAWN	M.Rebase		07.02.2013	
APPV'D				

DESCRIPTION:

AMAZON



Tiptaptap OÜ

Tiptaptap OÜ
Veetorni 9,
Jüri alevik, Rae vald,
75301 Harjumaa

MATERIAL:

wood, metal, plastic

A4

WEIGHT:

SCALE: 1:150

SHEET 1 OF 7

safety area

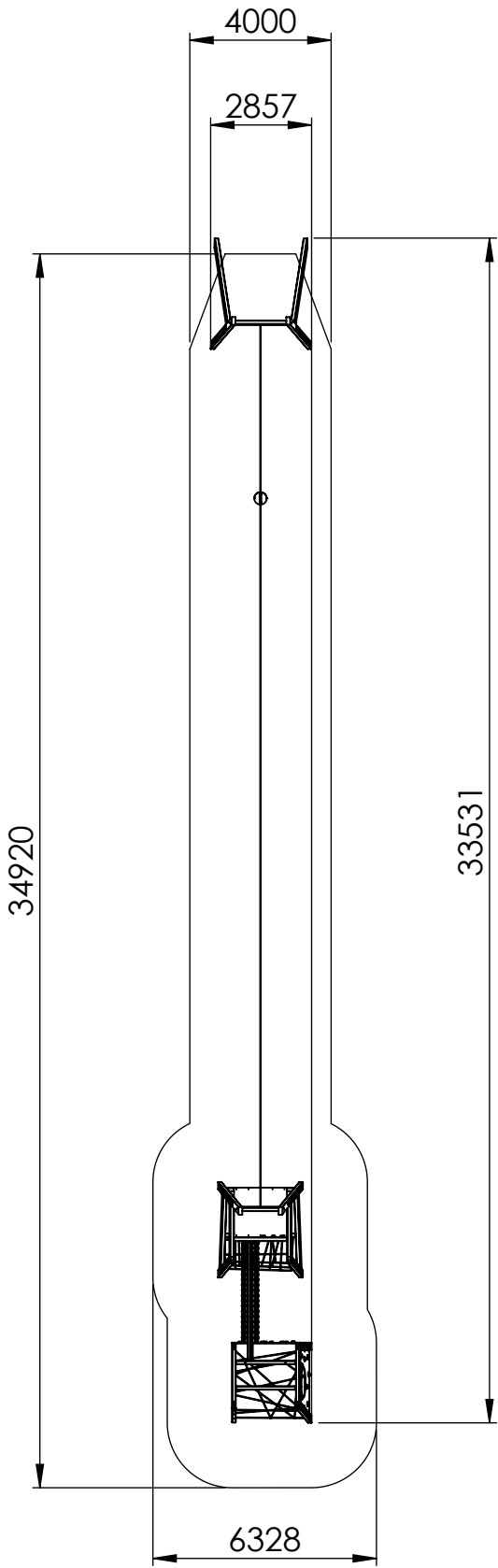
A

B

C

D

E



UNLESS OTHERWISE SPECIFIED: DIMENSIONS ARE IN MILLIMETERS WEIGHT ARE IN KILOGRAMM				
	NAME	SIGNATURE	DATE	REVISION
DRAWN	M.Rebase		07.02.2013	
APPV'D				

PART NUMBER / DWG NO.:	AM013
DESCRIPTION:	AMAZON

 **Tiptiptap** OÜ
 Veetorni 9,
 Jüri alevik, Rae vald,
 75301 Harjumaa

MATERIAL:	wood, metal, plastic	A4
WEIGHT:		SCALE: 1:200
		SHEET 2 OF 7

foundation

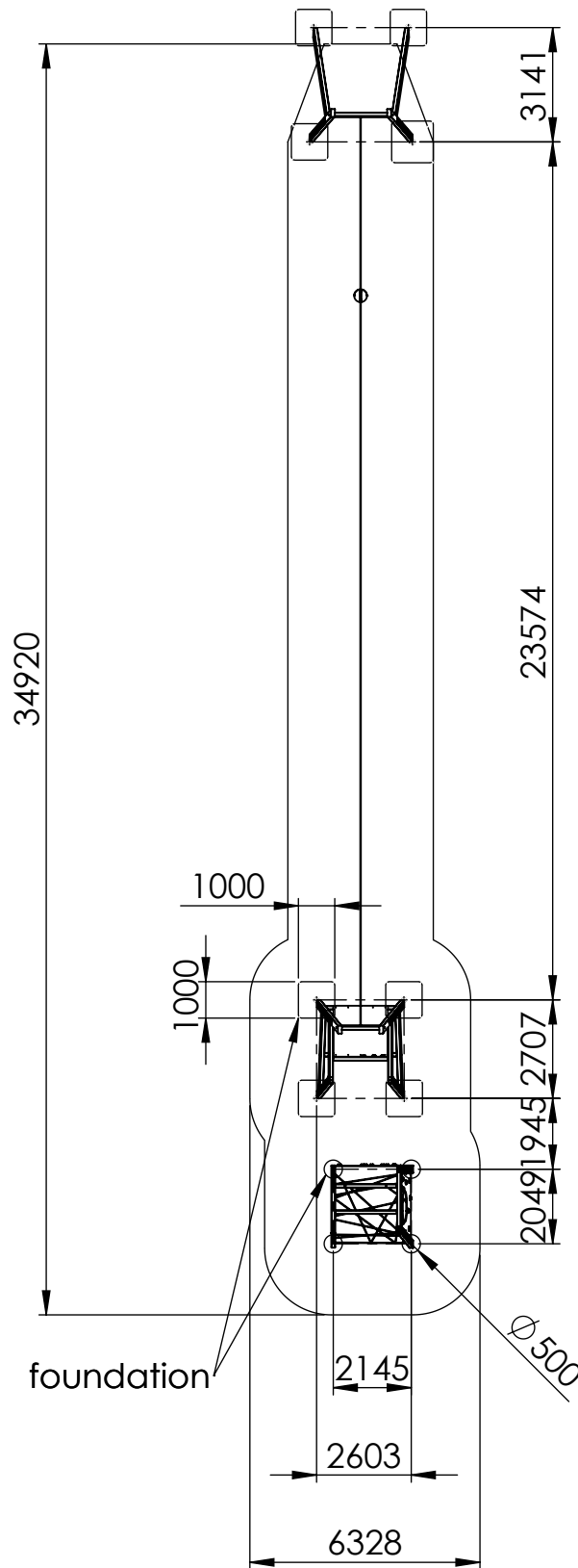
A

B

C

D

E



depth of foundation 700mm

UNLESS OTHERWISE SPECIFIED:
DIMENSIONS ARE IN MILLIMETERS
WEIGHT ARE IN KILOGRAMM

PART NUMBER / DWG NO.:

AM013

	NAME	SIGNATURE	DATE	REVISION
DRAWN	M.Rebase		07.02.2013	
APPV'D				

DESCRIPTION:

AMAZON



Tiptap OÜ

Tiptap OÜ
Veetorni 9,
Jüri alevik, Rae vald,
75301 Harjumaa

MATERIAL:

wood, metal, plastic

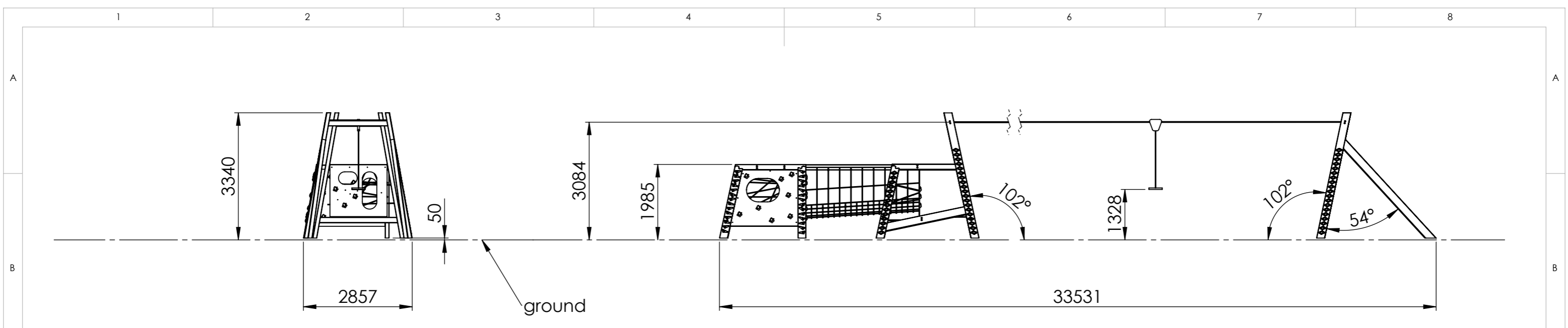
A4

WEIGHT:

SCALE: 1:200


SHEET 3 OF 7

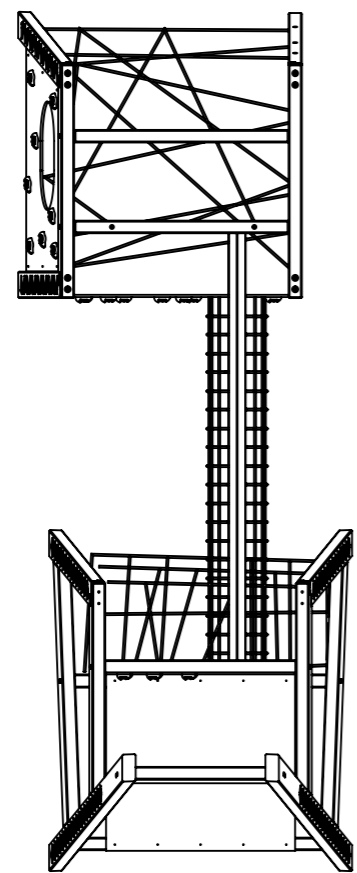
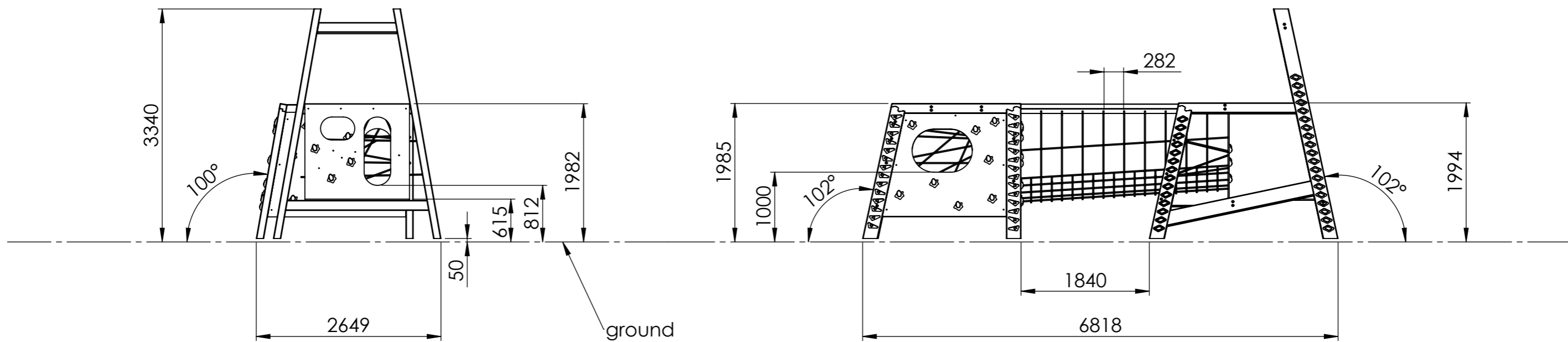
F




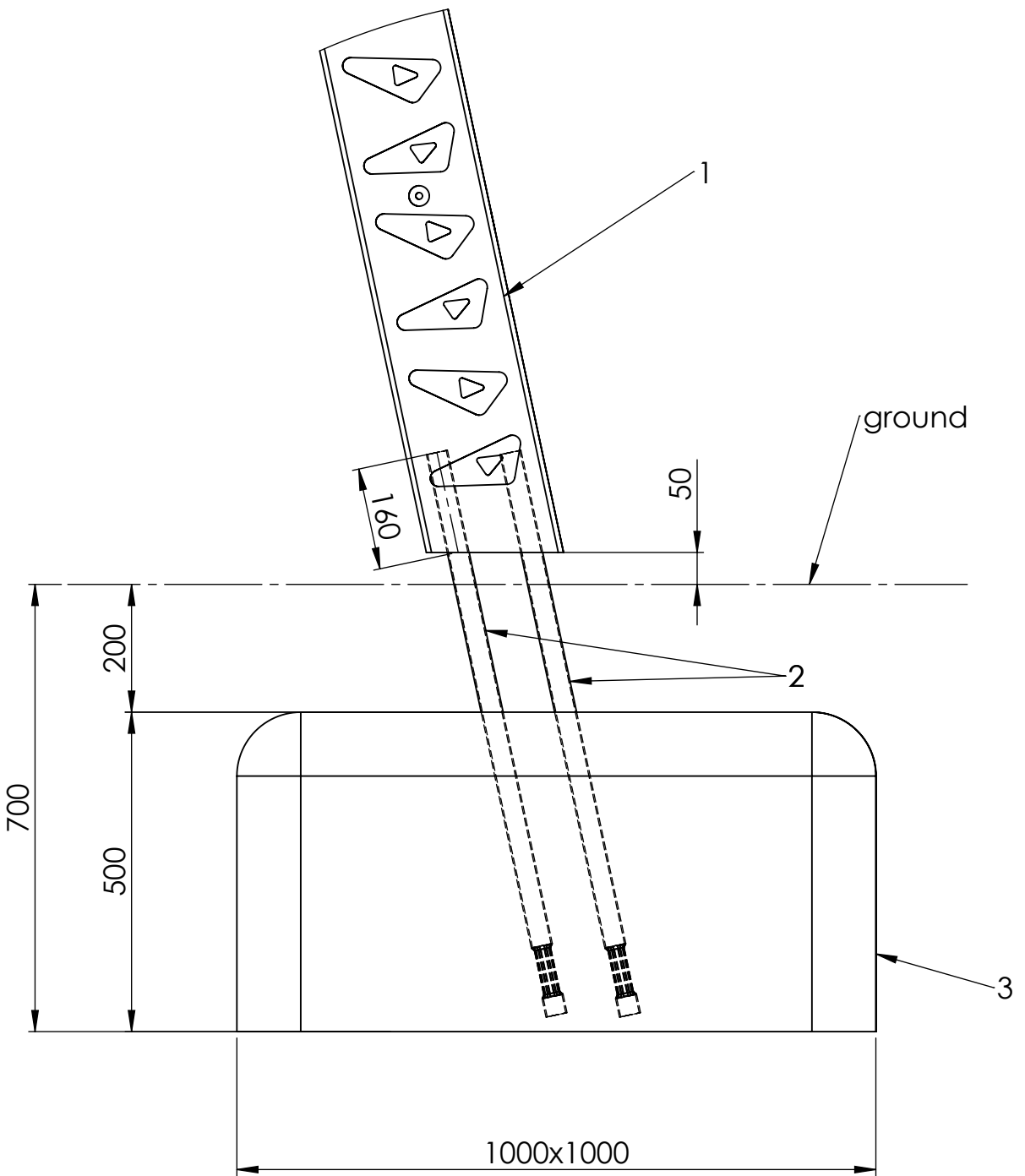
One of the towers should be installed at the altitude higher than the level at which the second tower was installed. The difference: at least 0.5m.



UNLESS OTHERWISE SPECIFIED: DIMENSIONS ARE IN MILLIMETERS WEIGHT ARE IN KILOGRAMM				PART NUMBER / DWG NO.:		AM013	
	NAME	SIGNATURE	DATE	REVISION	DESCRIPTION:		
DRAWN	M.Rebase		07.02.2013		AMAZON		
APPV'D					MATERIAL:	wood, metal, plastic	A3
 Tiptaptap OÜ Tiptaptap OÜ Veetorni 9, Jüri alevik, Rae vald, 75301 Harjumaa				WEIGHT:	SCALE: 1:100	SHEET 4 OF 7	



UNLESS OTHERWISE SPECIFIED: DIMENSIONS ARE IN MILLIMETERS WEIGHT ARE IN KILOGRAMM				PART NUMBER / DWG NO.:		AM013	
	NAME	SIGNATURE	DATE	REVISION	DESCRIPTION:		
DRAWN	M.Rebase		07.02.2013		AMAZON		
APPV'D					MATERIAL:	wood, metal, plastic	A3
 Tiptap OÜ Veetorni 9, Jüri alevik, Rae vald, 75301 Harjumaa				WEIGHT:	SCALE: 1:60	SHEET 5 OF 7	



ITEM NO.	PART NUMBER
1	post 105x210
2	metal ground fixing L_900
3	concrete

UNLESS OTHERWISE SPECIFIED:
DIMENSIONS ARE IN MILLIMETERS
WEIGHT ARE IN KILOGRAMM

PART NUMBER / DWG NO.:

AM013

	NAME	SIGNATURE	DATE	REVISION
DRAWN	M.Rebase		07.02.2013	
APPV'D				

DESCRIPTION:

AMAZON



Tiptap OÜ

Tiptap OÜ
Veetorni 9,
Jüri alevik, Rae vald,
75301 Harjumaa

MATERIAL:

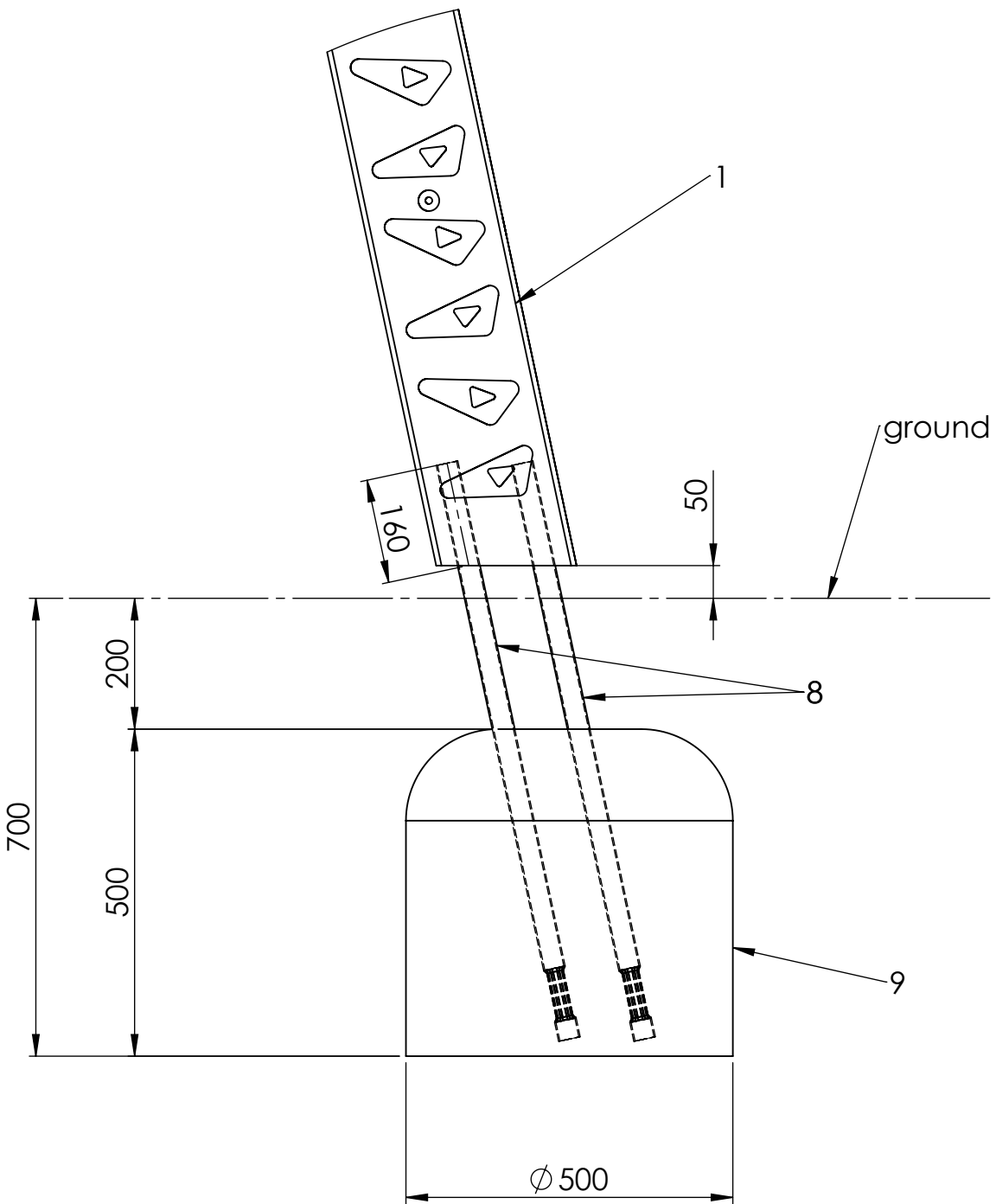
wood, metal, plastic

A4

WEIGHT:

SCALE: 1:10

SHEET 6 OF 7



ITEM NO.	PART NUMBER
1	post 105x210
2	metal ground fixing L_900
3	concrete

UNLESS OTHERWISE SPECIFIED:
DIMENSIONS ARE IN MILLIMETERS
WEIGHT ARE IN KILOGRAMM

PART NUMBER / DWG NO.:

AM013

	NAME	SIGNATURE	DATE	REVISION
DRAWN	M.Rebase		07.02.2013	
APPV'D				

DESCRIPTION:

AMAZON



Tiptap OÜ

Tiptap OÜ
Veetorni 9,
Jüri alevik, Rae vald,
75301 Harjumaa

MATERIAL:

wood, metal, plastic

A4

WEIGHT:

SCALE: 1:10

SHEET 7 OF 7