

A

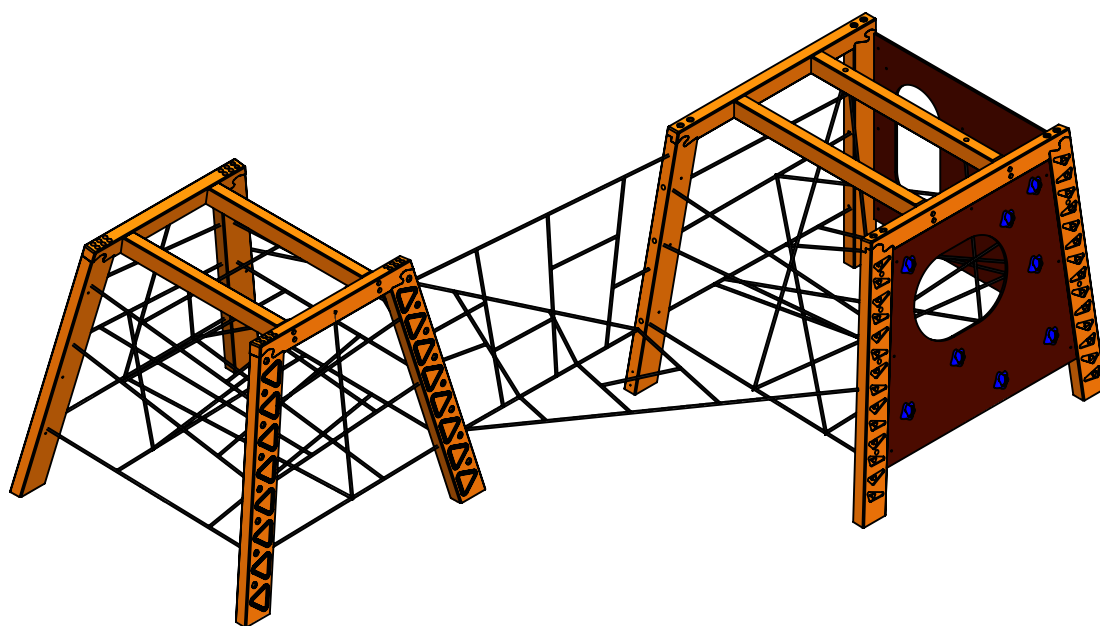
B

C

D

E

F



UNLESS OTHERWISE SPECIFIED:  
DIMENSIONS ARE IN MILLIMETERS  
WEIGHT ARE IN KILOGRAMM

PART NUMBER / DWG NO.:

AM010

	NAME	SIGNATURE	DATE	REVISION
DRAWN	M.Rebase		10.07.2013	
APPV'D				

DESCRIPTION:

AMAZON



**Tiptaptap** OÜ

Tiptaptap OÜ  
Veetorni 9,  
Jüri alevik, Rae vald,  
75301 Harjumaa

MATERIAL:

wood, metal, plastic

A4

WEIGHT:

SCALE: 1:50

SHEET 1 OF 12

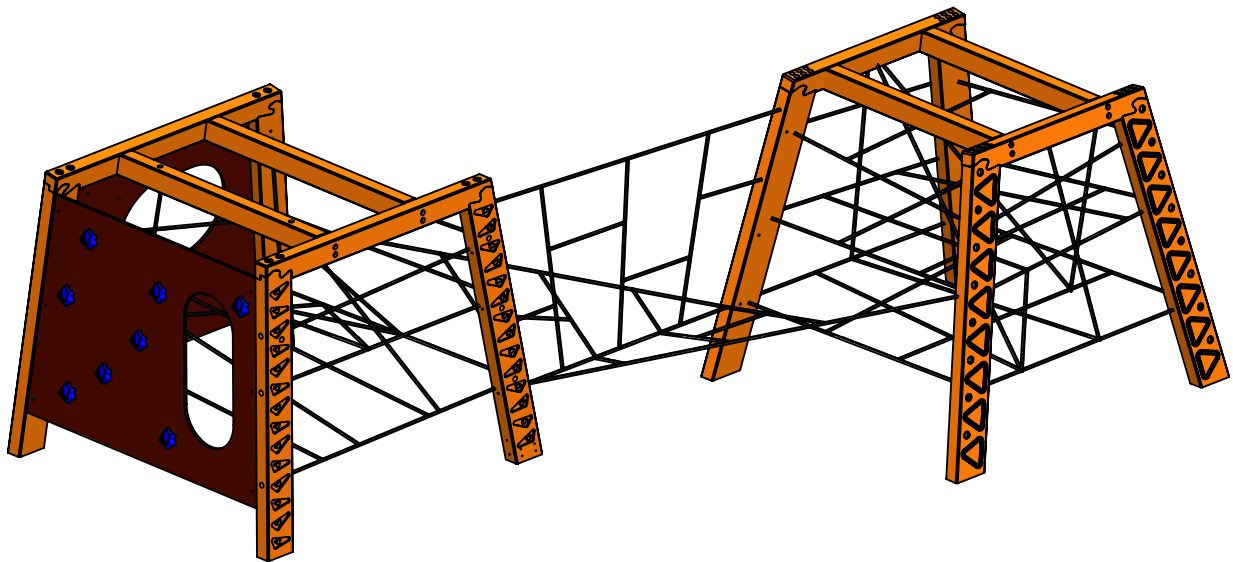
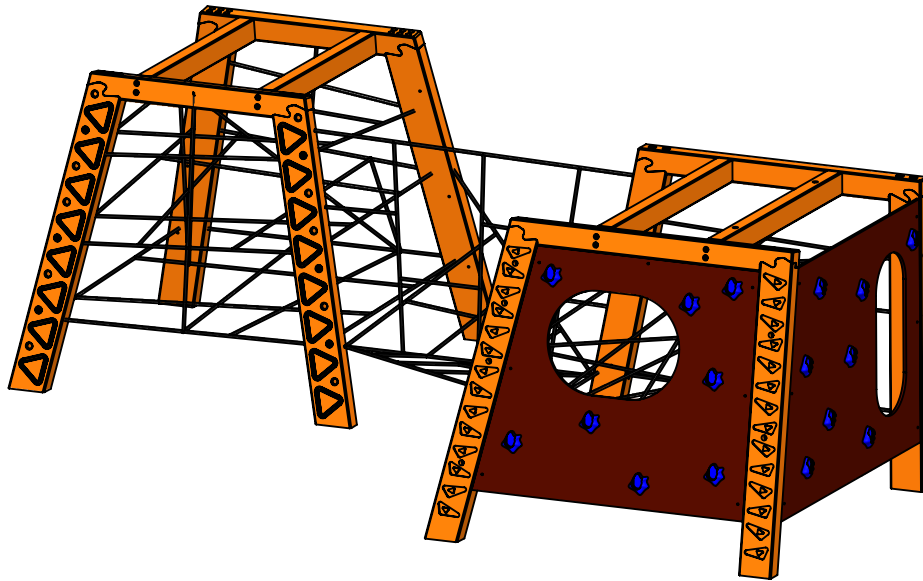
A

B

C

D

E



UNLESS OTHERWISE SPECIFIED:  
 DIMENSIONS ARE IN MILLIMETERS  
 WEIGHT ARE IN KILOGRAMM

PART NUMBER / DWG NO.:

AM010

	NAME	SIGNATURE	DATE	REVISION
DRAWN	M.Rebase		10.07.2013	
APPV'D				

DESCRIPTION:

AMAZON

F



**Tiptaptap** OÜ

Tiptaptap OÜ  
 Veetorni 9,  
 Jüri alevik, Rae vald,  
 75301 Harjumaa

MATERIAL:

wood, metal, plastic

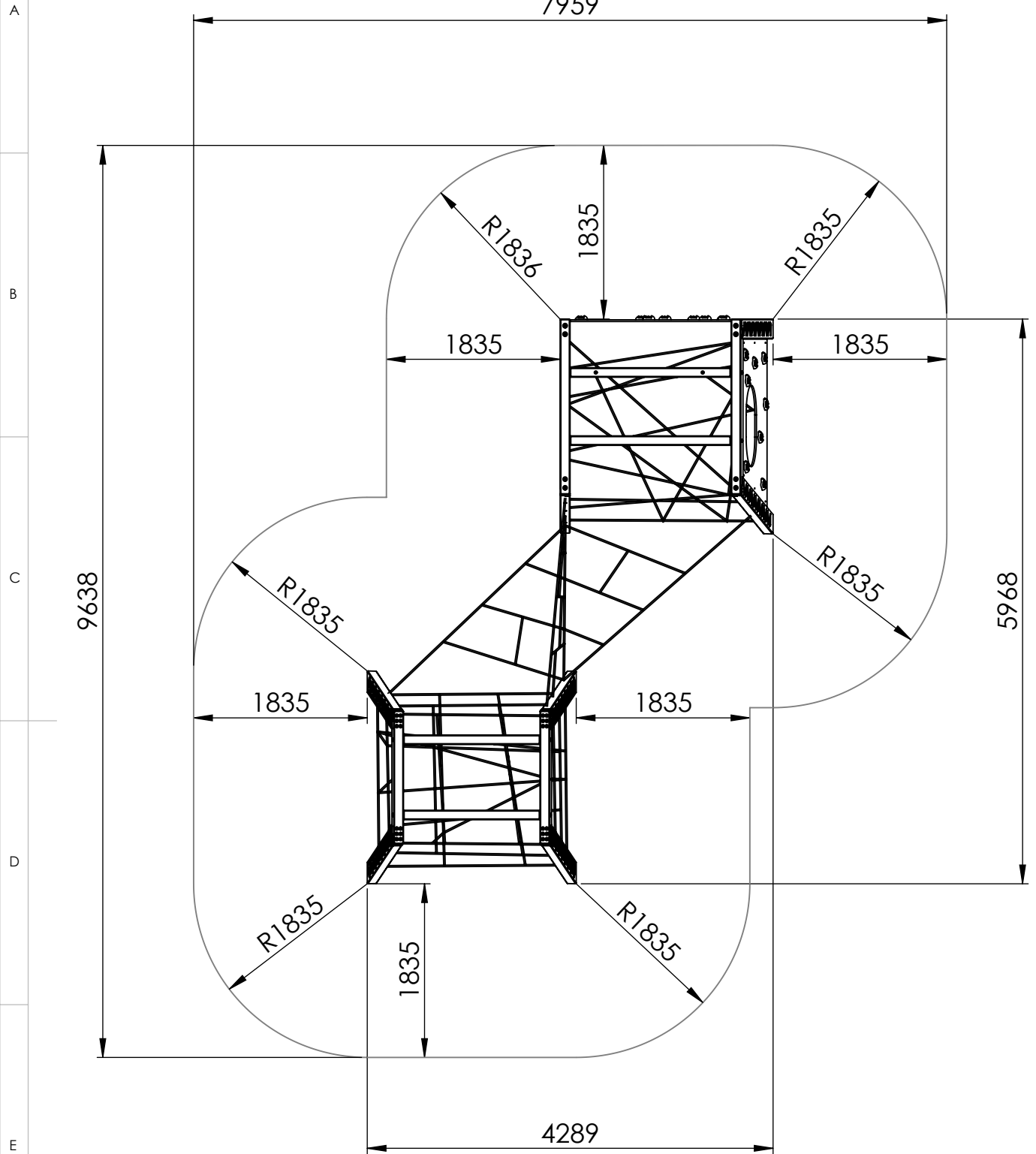
A4

WEIGHT:

SCALE: 1:45

SHEET 2 OF 12

# Safety area



UNLESS OTHERWISE SPECIFIED:  
DIMENSIONS ARE IN MILLIMETERS  
WEIGHT ARE IN KILOGRAMM

PART NUMBER / DWG NO.:

AM010

	NAME	SIGNATURE	DATE	REVISION
DRAWN	M.Rebase		10.07.2013	
APPV'D				

DESCRIPTION:

AMAZON  
Safety area

MATERIAL:

wood, metal, plastic

A4

WEIGHT:

SCALE: 1:60

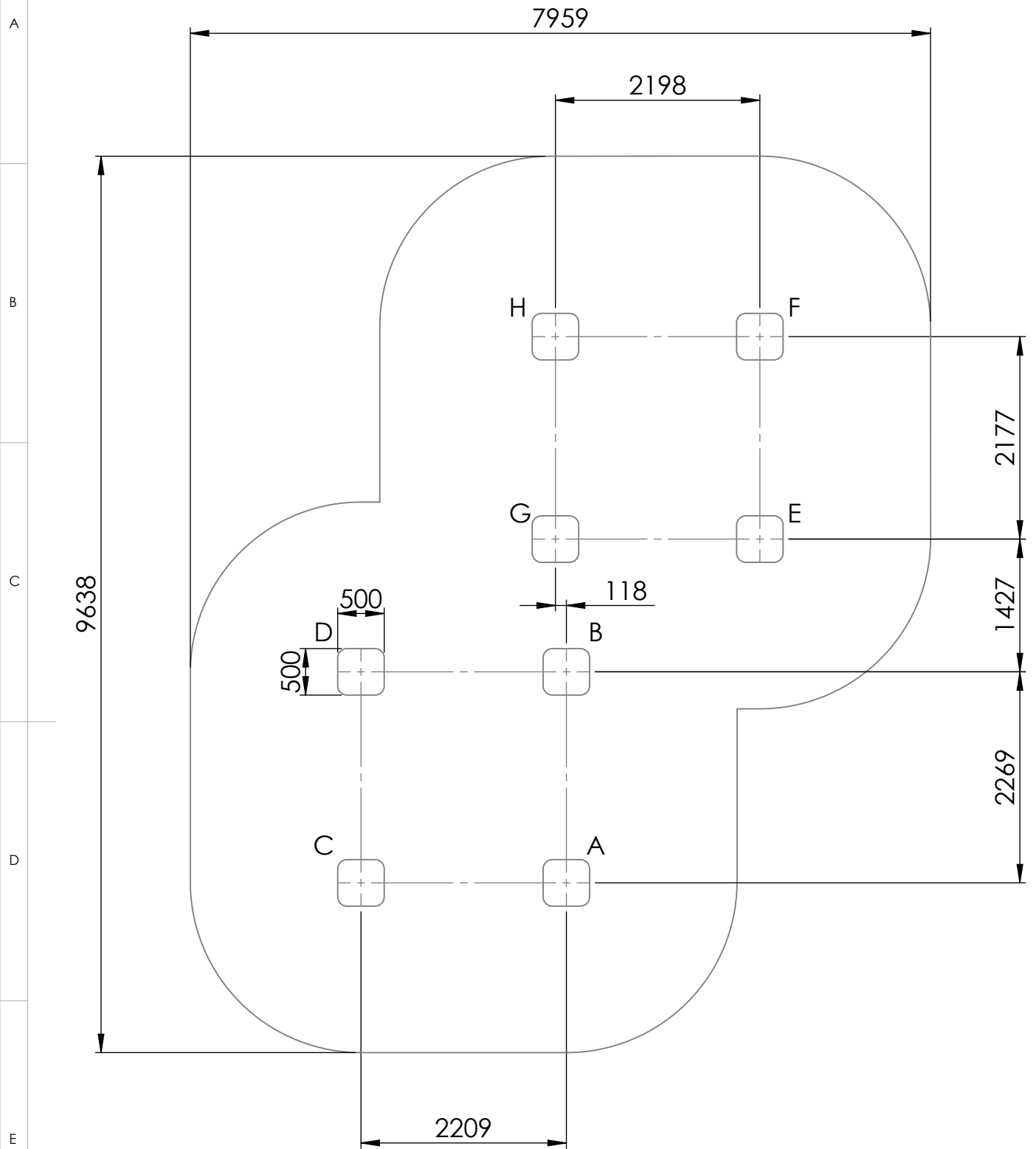
SHEET 3 OF 12



**Tiptaptap** OÜ

Tiptaptap OÜ  
Veetorni 9,  
Jüri alevik, Rae vald,  
75301 Harjumaa

# foundation



UNLESS OTHERWISE SPECIFIED:  
DIMENSIONS ARE IN MILLIMETERS  
WEIGHT ARE IN KILOGRAMM

PART NUMBER / DWG NO.:

AM010

	NAME	SIGNATURE	DATE	REVISION
DRAWN	M.Rebase		10.07.2013	
APPV'D				

DESCRIPTION:

AMAZON  
foundation

MATERIAL:

wood, metal, plastic

A4

WEIGHT:

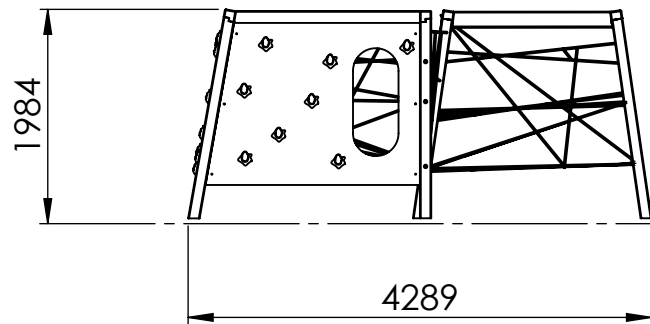
SCALE: 1:60

SHEET 4 OF 12



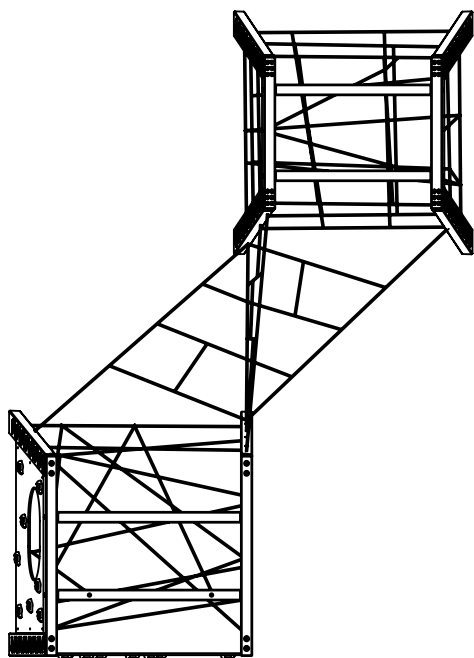
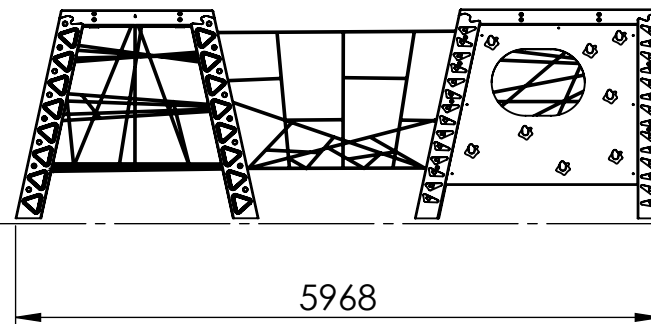
**Tiptaptap** OÜ

Tiptaptap OÜ  
Veetorni 9,  
Jüri alevik, Rae vald,  
75301 Harjumaa



50

ground



UNLESS OTHERWISE SPECIFIED:  
DIMENSIONS ARE IN MILLIMETERS  
WEIGHT ARE IN KILOGRAMM

	NAME	SIGNATURE	DATE	REVISION
DRAWN	M.Rebase		10.07.2013	
APPV'D				

PART NUMBER / DWG NO.:

AM010

DESCRIPTION:

AMAZON

MATERIAL:

wood, metal, plastic

A4

WEIGHT:

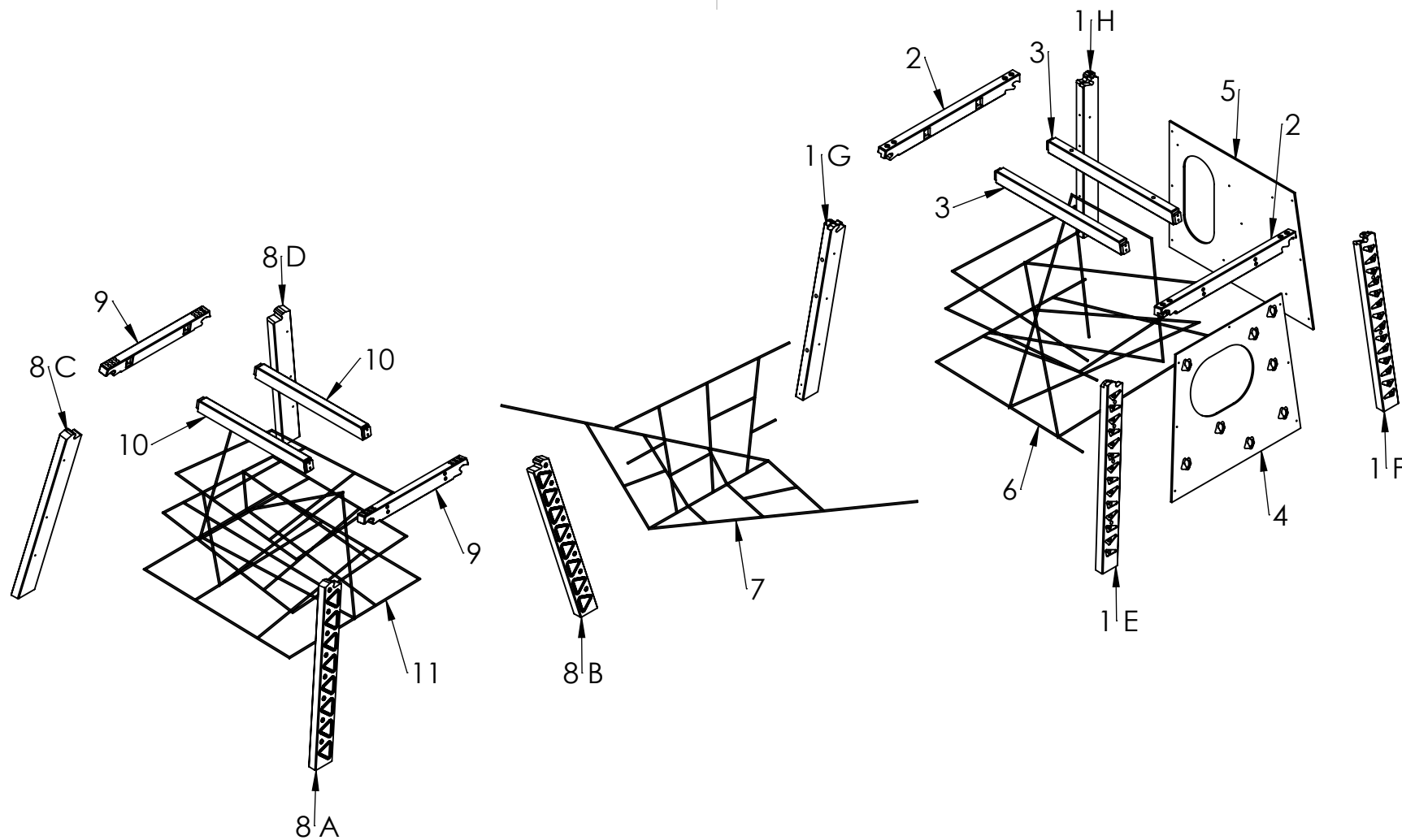
SCALE: 1:70

SHEET 5 OF 12



**Tiptaptap** OÜ

Tiptaptap OÜ  
Veetorni 9,  
Jüri alevik, Rae vald,  
75301 Harjumaa



UNLESS OTHERWISE SPECIFIED:  
 DIMENSIONS ARE IN MILLIMETERS  
 WEIGHT ARE IN KILOGRAMM

	NAME	SIGNATURE	DATE	REVISION
DRAWN	M.Rebase		10.07.2013	
APPV'D				

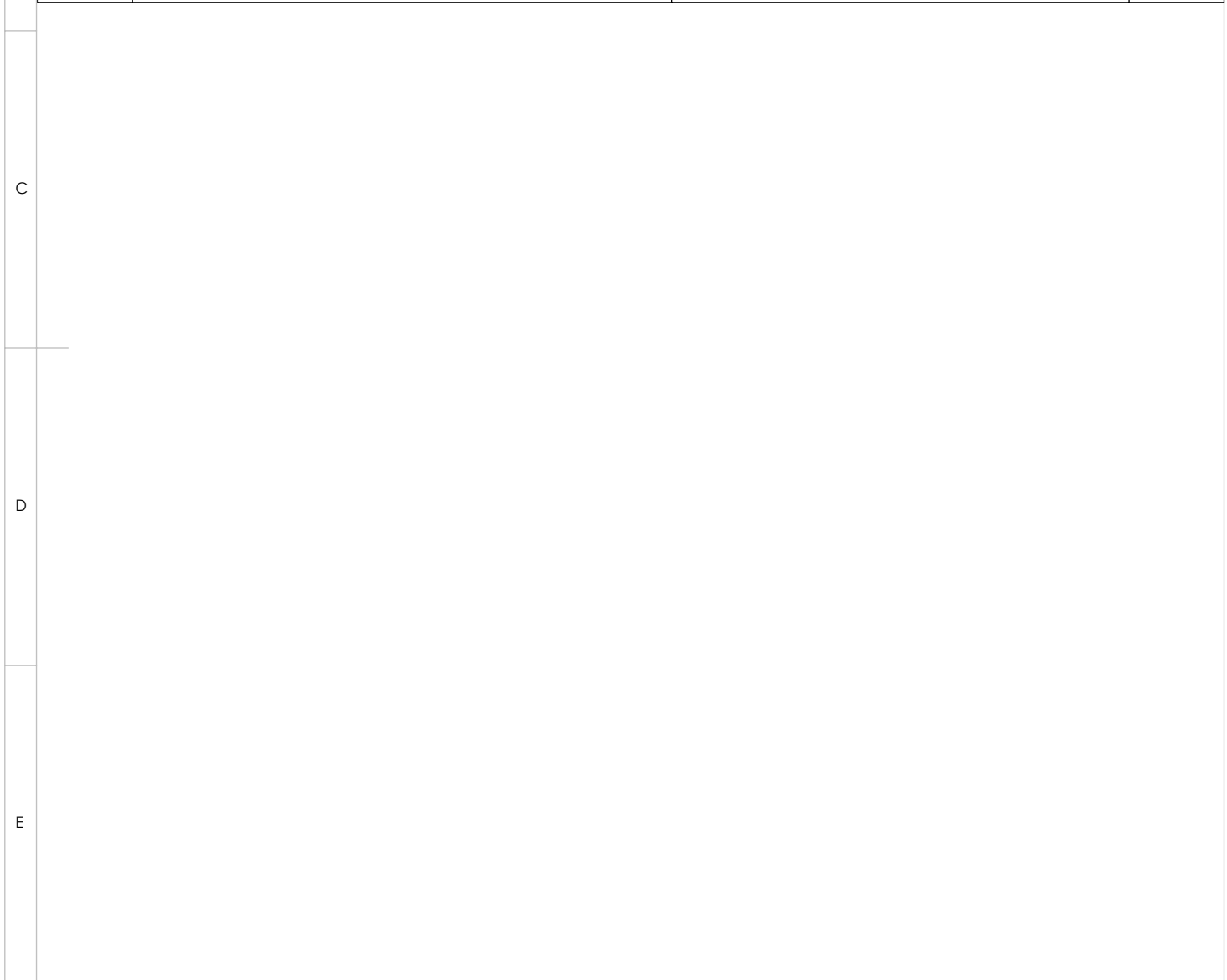
PART NUMBER / DWG NO.:  
**AM010**


DESCRIPTION:  
**AMAZON**


**Tiptap** OÜ  
 Veetorni 9,  
 Jüri alevik, Rae vald,  
 75301 Harjumaa

MATERIAL:	wood, metal, plastic	A4
WEIGHT:	SCALE: 1:60	SHEET 6 OF 12

ITEM NO.	PART NUMBER	DESCRIPTION	QTY.
1	post 105x210x1925	laminated wood	4
2	beam 105x145x1870	laminated wood	2
3	beam 105x145x1700	laminated wood	2
4	climbing wall 1500x1778 with fixings	plywood, metal	1
5	climbing wall 1500x1720 with fixings	plywood, metal	1
6	climbing net for AM003	PP covered steel wire	1
7	climbing net 2200x1300	PP covered steel wire	1
8	post 105x210x1945	laminated wood	4
9	beam 105x145x1440	laminated wood	2
10	beam 105x145x1533	laminated wood	2
11	climbing net for AM004 (A)	PP covered steel wire	1



UNLESS OTHERWISE SPECIFIED: DIMENSIONS ARE IN MILLIMETERS WEIGHT ARE IN KILOGRAMM				PART NUMBER / DWG NO.:		AM010	
	NAME	SIGNATURE	DATE	REVISION		DESCRIPTION:	
DRAWN	M.Rebase		10.07.2013			AMAZON	
APPV'D						MATERIAL:	
 <b>Tiptiptap</b> OÜ Tiptiptap OÜ Veetorni 9, Jüri alevik, Rae vald, 75301 Harjumaa				wood, metal, plastic		A4	
				WEIGHT:		SCALE: 1:40	
						SHEET 7 OF 12	

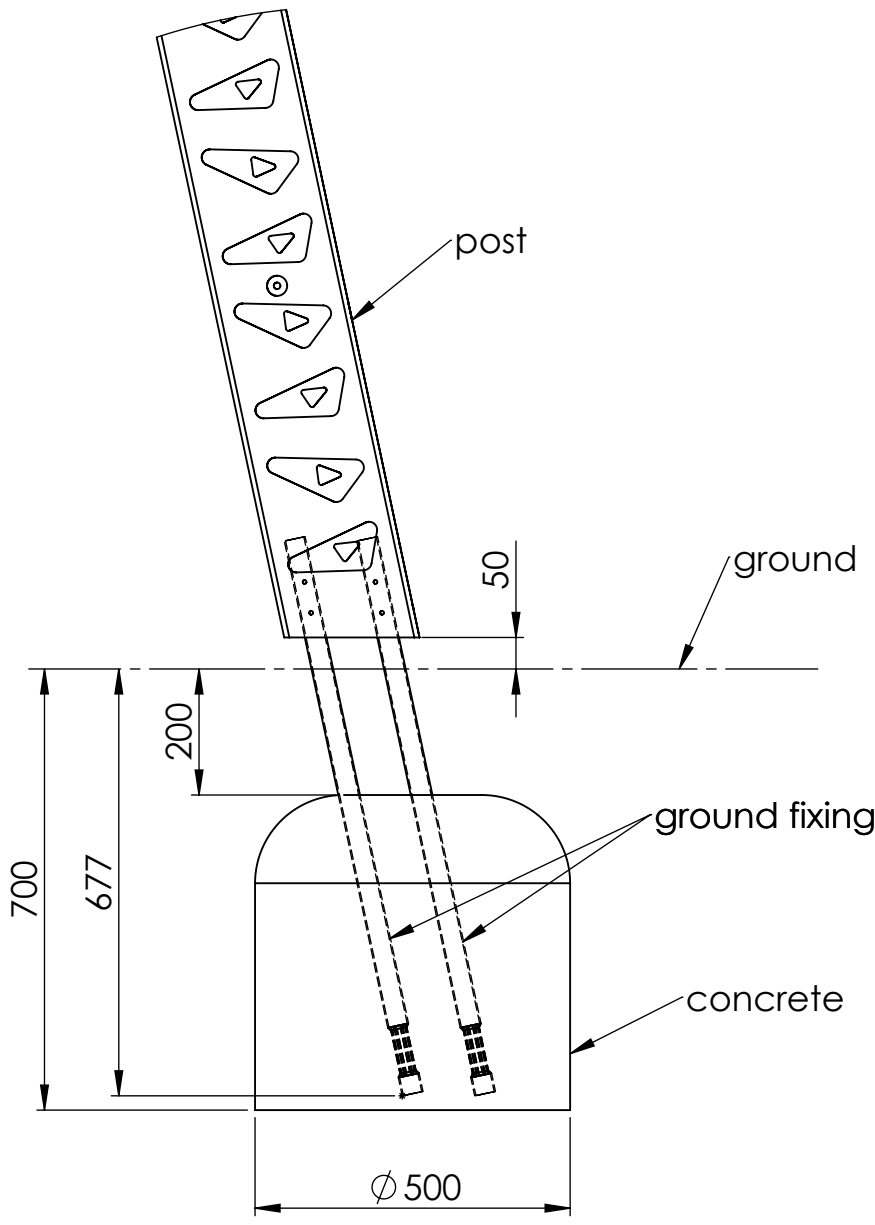
A

B

C

D

E



UNLESS OTHERWISE SPECIFIED:  
 DIMENSIONS ARE IN MILLIMETERS  
 WEIGHT ARE IN KILOGRAMM

	NAME	SIGNATURE	DATE	REVISION
DRAWN	M.Rebase		10.07.2013	
APPV'D				

PART NUMBER / DWG NO.:  
**AM010**

DESCRIPTION:  
**AMAZON**

 **Tiptiptap** OÜ  
 Veetorni 9,  
 Jüri alevik, Rae vald,  
 75301 Harjumaa

MATERIAL:	wood, metal, plastic	A4
WEIGHT:	SCALE: 1:12	SHEET 8 OF 12



A

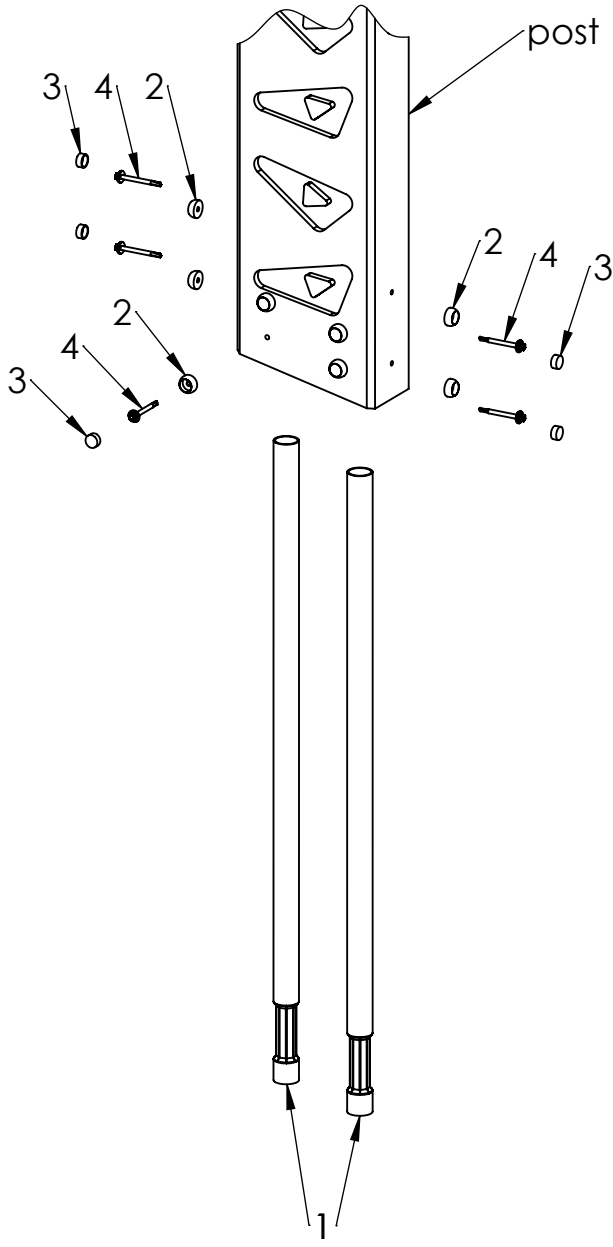
B

C

D

E

F



ITEM NO.	PART NUMBER
1	metal ground fixing
2	nut cover M6
3	nut cover cap M6
4	screw DIN7504K 5,5x68

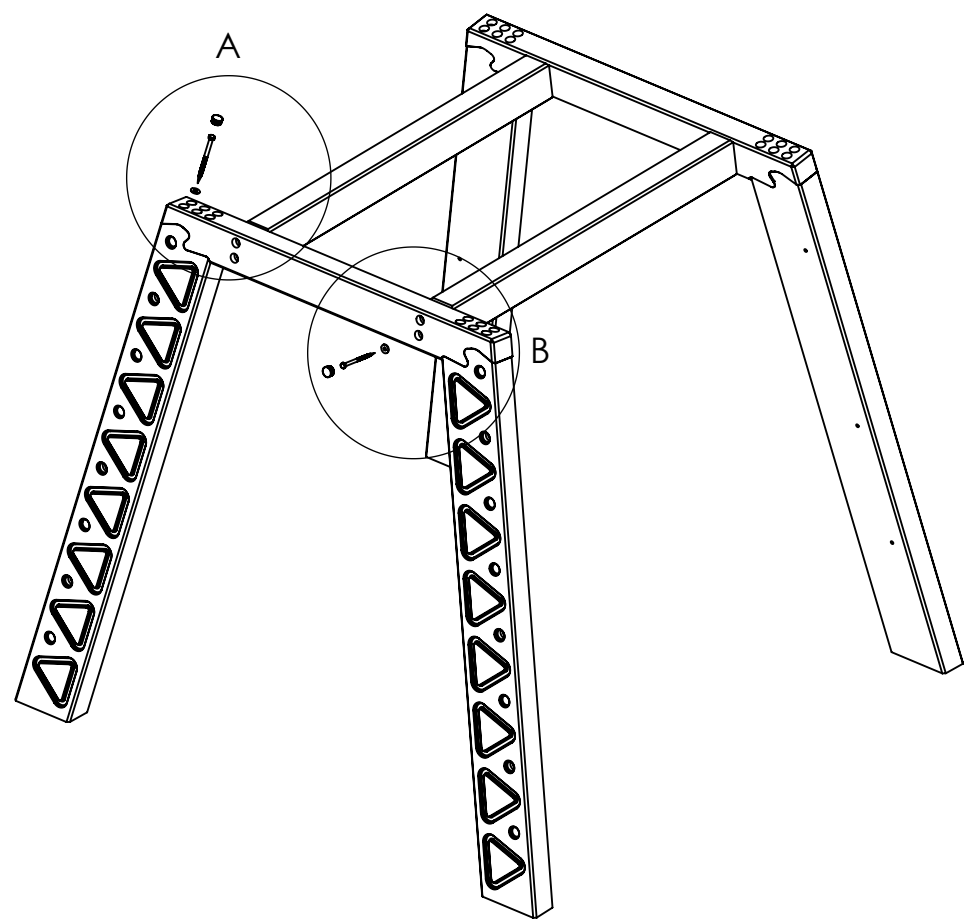
UNLESS OTHERWISE SPECIFIED: DIMENSIONS ARE IN MILLIMETERS WEIGHT ARE IN KILOGRAMM				
	NAME	SIGNATURE	DATE	REVISION
DRAWN	M.Rebase		10.07.2013	
APPV'D				

PART NUMBER / DWG NO.:	AM010
DESCRIPTION:	AMAZON



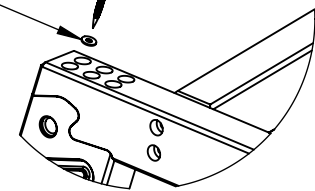
**Tiptiptap** OÜ  
 Veetorni 9,  
 Jüri alevik, Rae vald,  
 75301 Harjumaa

MATERIAL:	wood, metal, plastic	A4
WEIGHT:	SCALE: 1:10	SHEET 9 OF 12



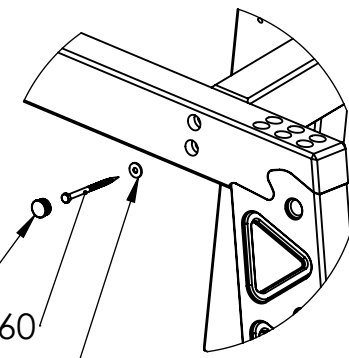
plastic cap  
 wood screw DIN571 12x180  
 washer M12

DETAIL A  
 SCALE 1 : 15



DETAIL B  
 SCALE 1 : 15

plastic cap  
 wood screw DIN571 10x160  
 washer M10



UNLESS OTHERWISE SPECIFIED:  
 DIMENSIONS ARE IN MILLIMETERS  
 WEIGHT ARE IN KILOGRAMM

	NAME	SIGNATURE	DATE	REVISION
DRAWN	M.Rebase		10.07.2013	
APPV'D				

PART NUMBER / DWG NO.:  
**AM010**

DESCRIPTION:  
**AMAZON**  
 connecting beams and posts

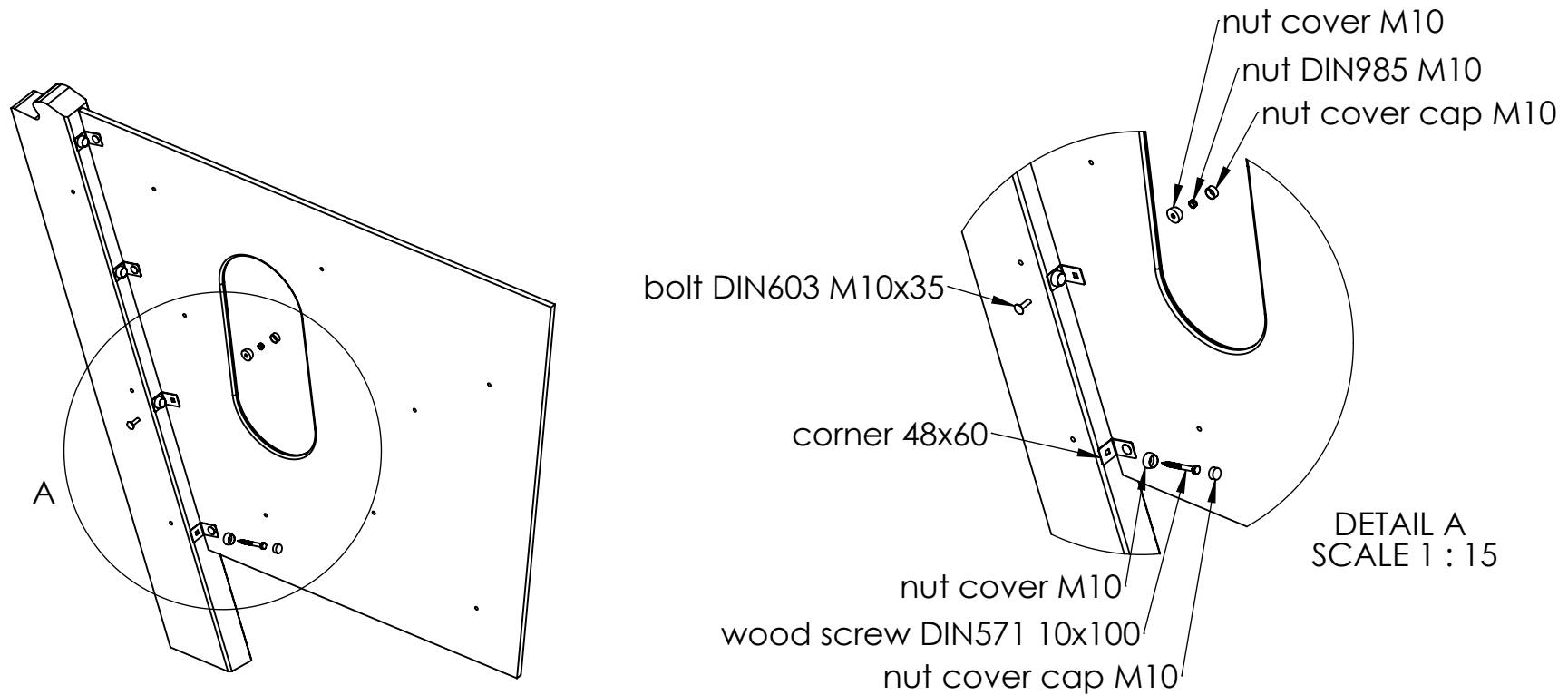


**Tiptaptap** OÜ  
 Tiptaptap OÜ  
 Veetorni 9,  
 Jüri alevik, Rae vald,  
 75301 Harjumaa

MATERIAL:  
 wood, metal, plastic

A4

WEIGHT: SCALE: 1:25 SHEET 10 OF 12



UNLESS OTHERWISE SPECIFIED:  
 DIMENSIONS ARE IN MILLIMETERS  
 WEIGHT ARE IN KILOGRAMM

PART NUMBER / DWG NO.:  
**AM010**

	NAME	SIGNATURE	DATE	REVISION
DRAWN	M.Rebase		10.07.2013	
APPV'D				

DESCRIPTION:  
**AMAZON**  
 connecting panel to post

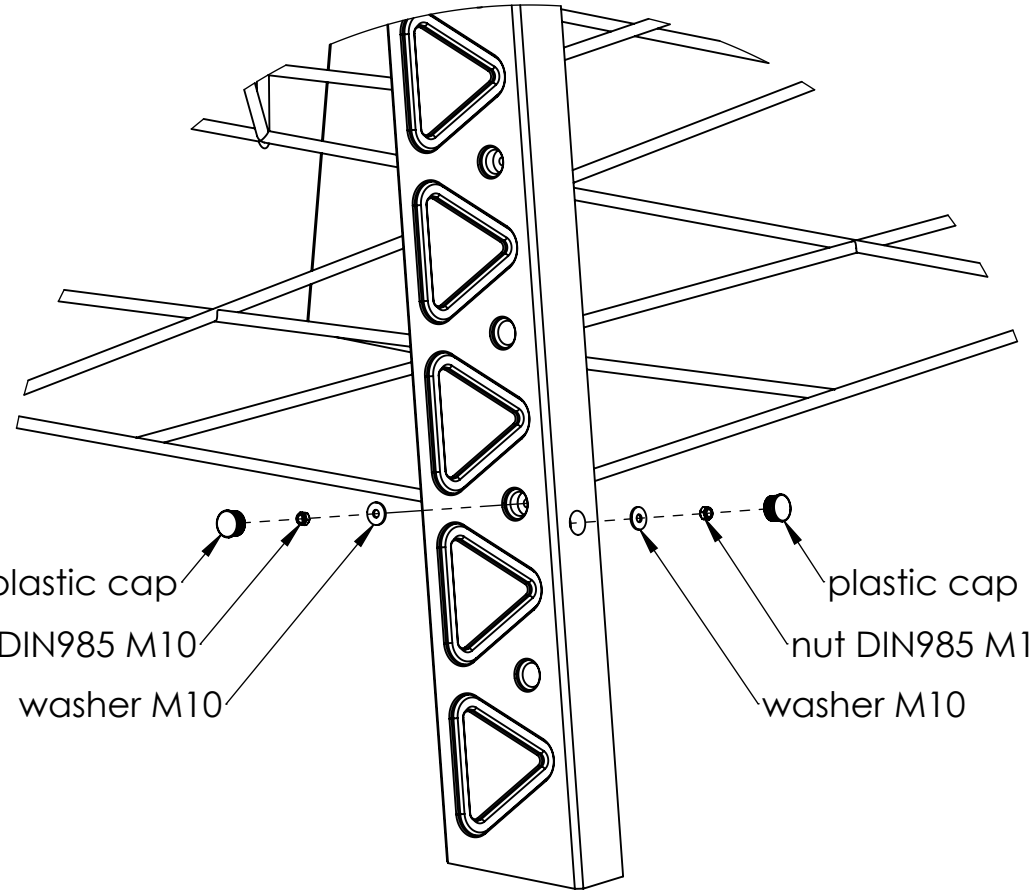
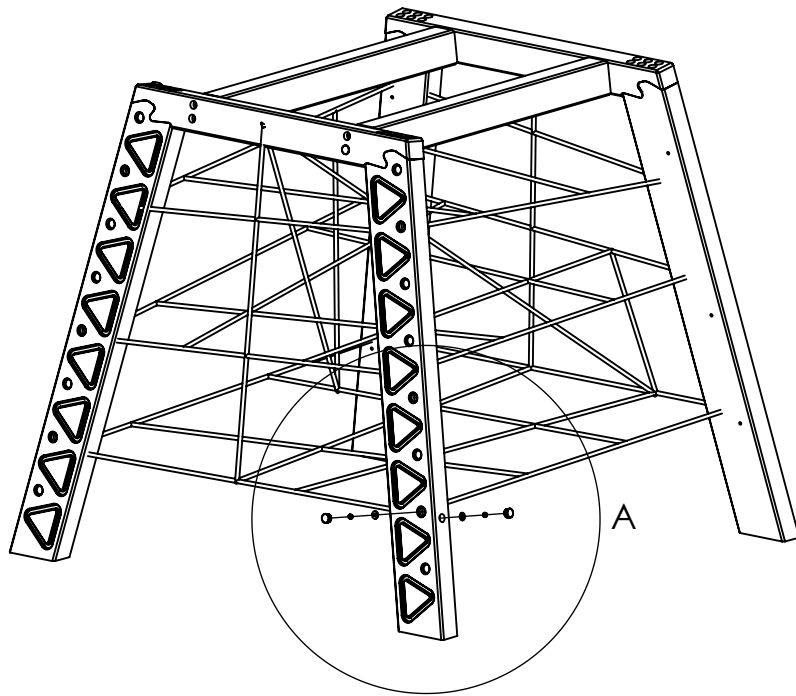


**Tiptaptap** OÜ  
 Tiptaptap OÜ  
 Veetorni 9,  
 Jüri alevik, Rae vald,  
 75301 Harjumaa

MATERIAL:  
 wood, metal, plastic

A4

WEIGHT: SCALE: 1:20 SHEET 11 OF 12



plastic cap  
nut DIN985 M10  
washer M10

plastic cap  
nut DIN985 M10  
washer M10

DETAIL A  
SCALE 1 : 10

UNLESS OTHERWISE SPECIFIED:  
DIMENSIONS ARE IN MILLIMETERS  
WEIGHT ARE IN KILOGRAMM

PART NUMBER / DWG NO.:

AM010

	NAME	SIGNATURE	DATE	REVISION
DRAWN	M.Rebase		10.07.2013	
APPV'D				

DESCRIPTION:

AMAZON  
connecting net to post

MATERIAL:

wood, metal, plastic

A4

WEIGHT:

SCALE: 1:30

SHEET 12 OF 12



**Tiptaptap** OÜ

Tiptaptap OÜ  
Veetorni 9,  
Jüri alevik, Rae vald,  
75301 Harjumaa