

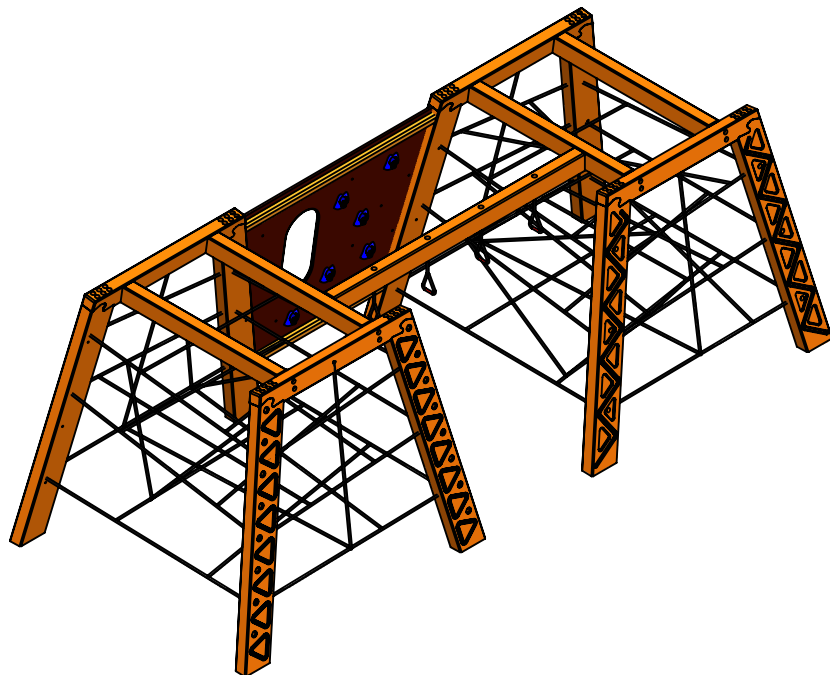
A

B

C

D

E



UNLESS OTHERWISE SPECIFIED:
 DIMENSIONS ARE IN MILLIMETERS
 WEIGHT ARE IN KILOGRAMM

	NAME	SIGNATURE	DATE	REVISION
DRAWN	M.Rebase		31.07.2014	
APPV'D				

PART NUMBER / DWG NO.:
AM009

DESCRIPTION:
AMAZON


Tiptaptap OÜ
 Veetorni 9,
 Jüri alevik, Rae vald,
 75301 Harjumaa

MATERIAL:	wood, metal, plastic	A4
WEIGHT:		SCALE: 1:50
		SHEET 1 OF 10

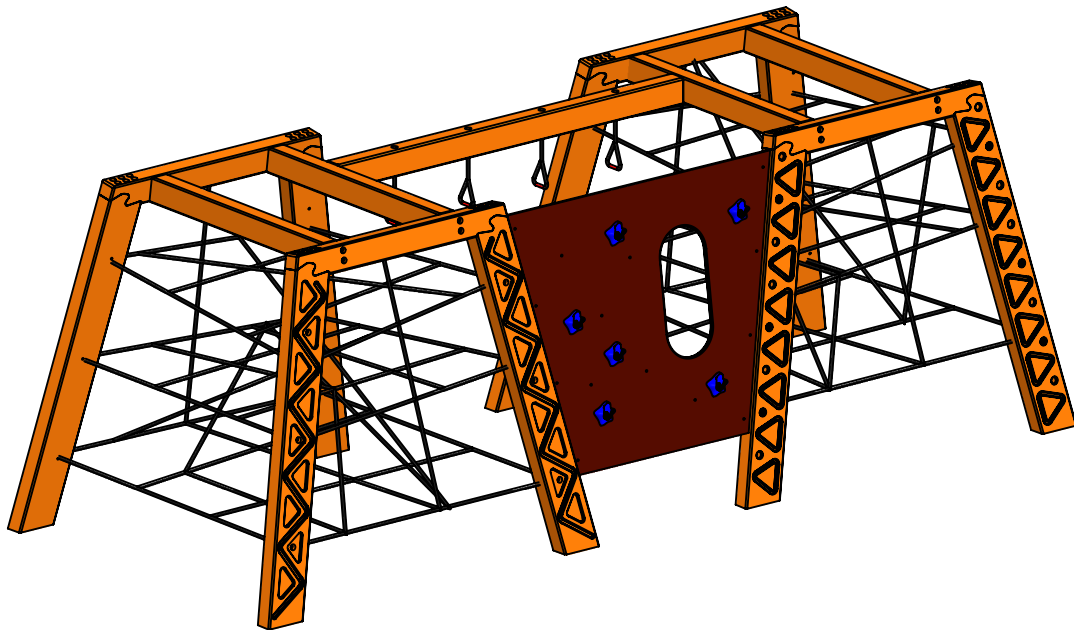
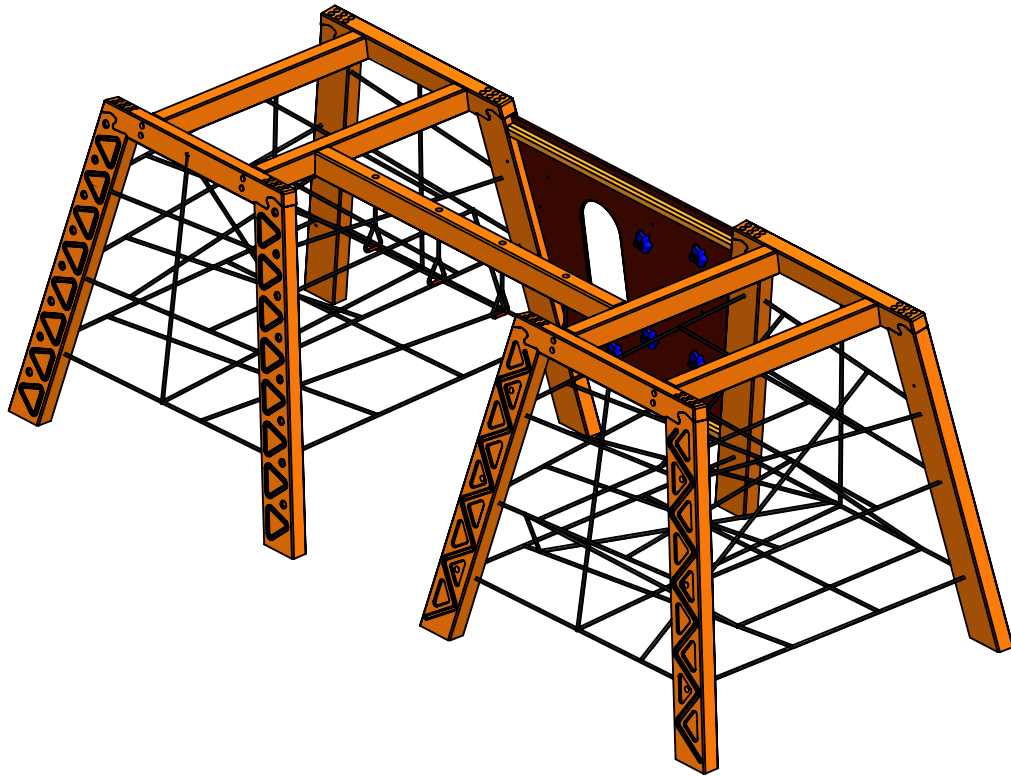
A

B

C

D

E



UNLESS OTHERWISE SPECIFIED:
 DIMENSIONS ARE IN MILLIMETERS
 WEIGHT ARE IN KILOGRAMM

PART NUMBER / DWG NO.:

AM009

	NAME	SIGNATURE	DATE	REVISION
DRAWN	M.Rebase		31.07.2014	
APPV'D				

DESCRIPTION:

AMAZON



Tiptaptap OÜ

Tiptaptap OÜ
 Veetorni 9,
 Jüri alevik, Rae vald,
 75301 Harjumaa

MATERIAL:

wood, metal, plastic

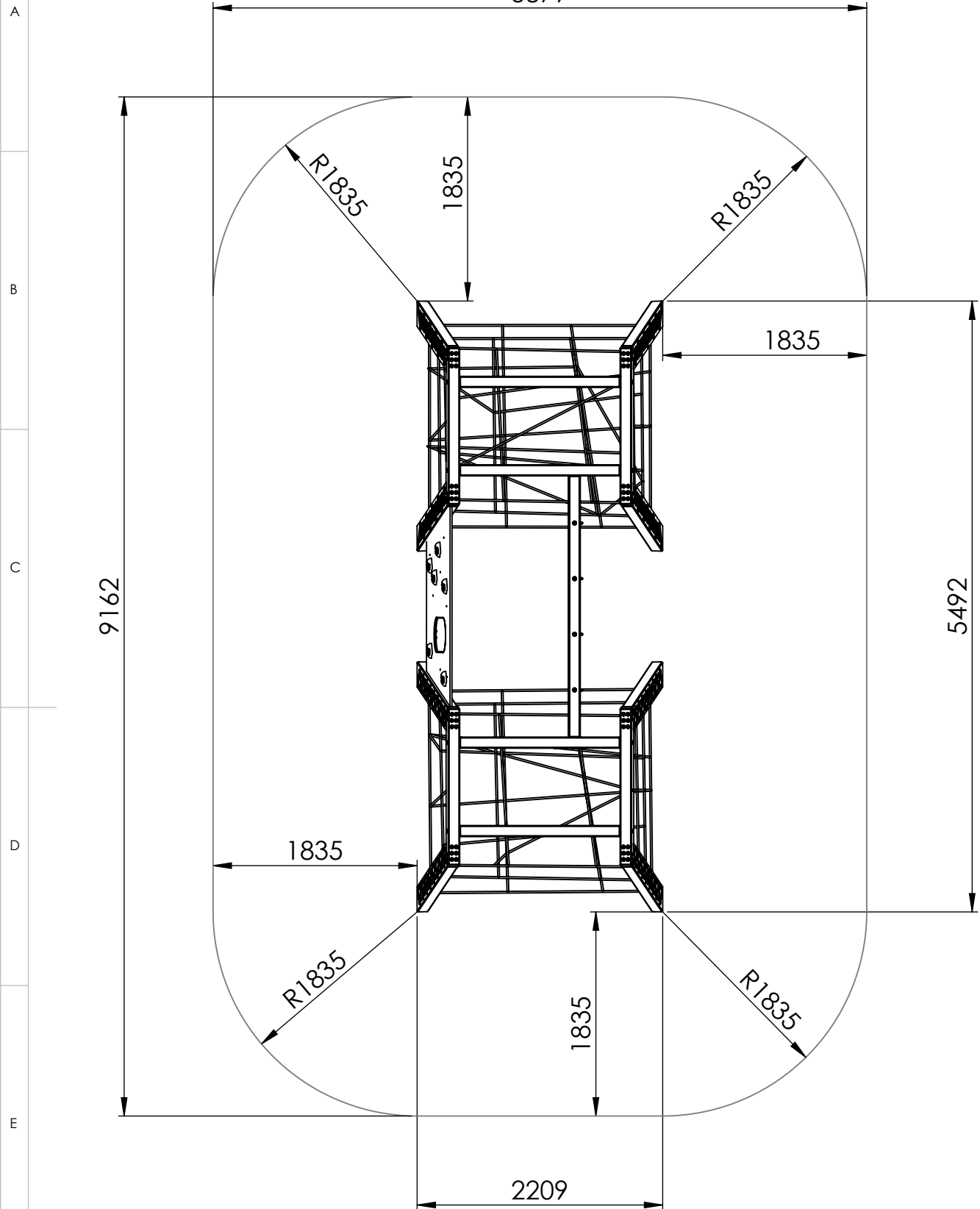
A4

WEIGHT:

SCALE: 1:40

SHEET 2 OF 10

safety area



UNLESS OTHERWISE SPECIFIED:
DIMENSIONS ARE IN MILLIMETERS
WEIGHT ARE IN KILOGRAMM

PART NUMBER / DWG NO.:

AM009

	NAME	SIGNATURE	DATE	REVISION
DRAWN	M.Rebase		31.07.2014	
APPV'D				

DESCRIPTION:

AMAZON
safety area

MATERIAL:

wood, metal, plastic

A4

WEIGHT:

SCALE: 1:50

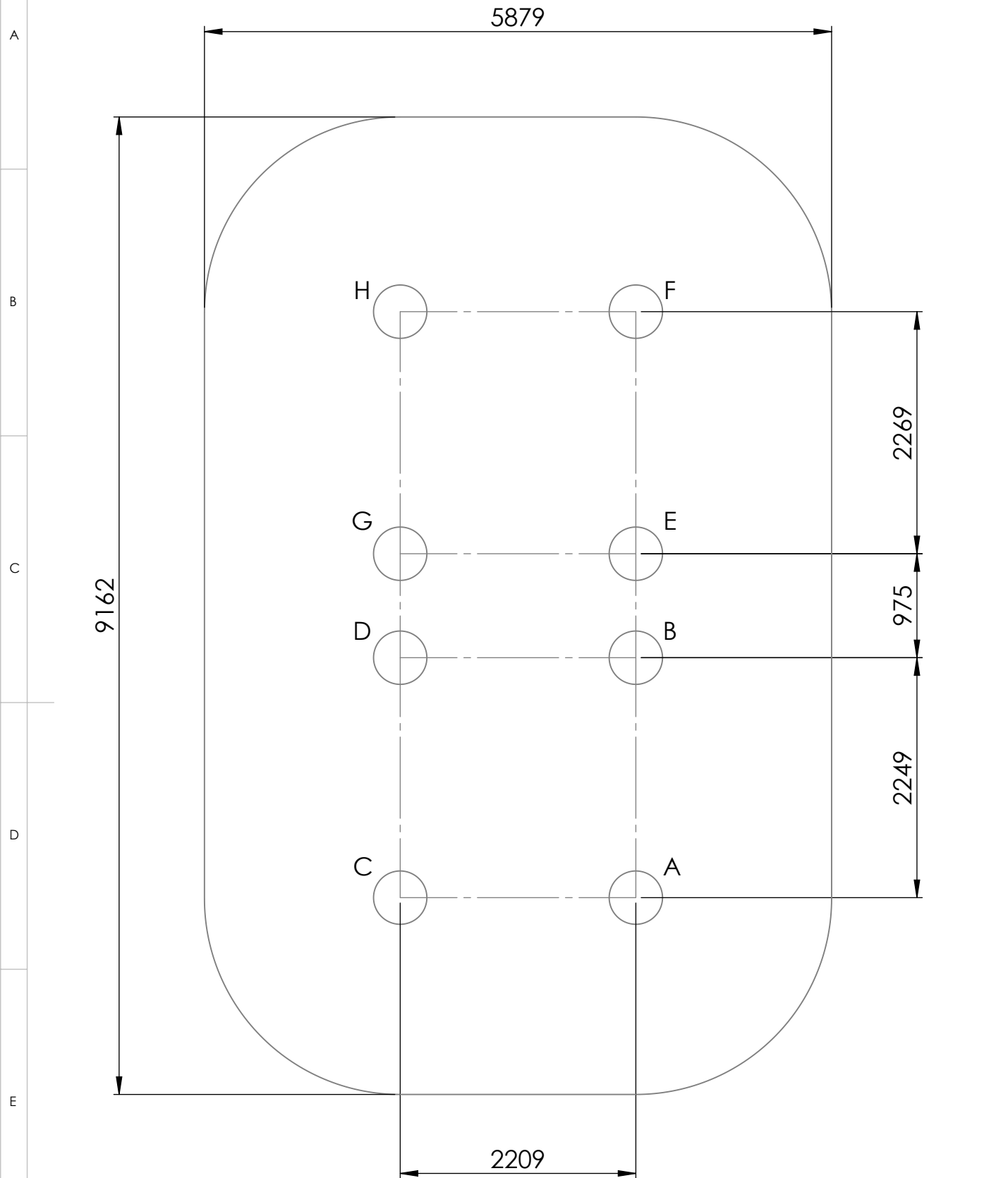
SHEET 3 OF 10



Tiptap OÜ

Tiptap OÜ
Veetorni 9,
Jüri alevik, Rae vald,
75301 Harjumaa

foundation



depth of foundation 700mm

UNLESS OTHERWISE SPECIFIED:
DIMENSIONS ARE IN MILLIMETERS
WEIGHT ARE IN KILOGRAMM

PART NUMBER / DWG NO.:

AM009

	NAME	SIGNATURE	DATE	REVISION
DRAWN	M.Rebase		31.07.2014	
APPV'D				

DESCRIPTION:

AMAZON
foundation



Tiptap OÜ

Tiptap OÜ
Veetorni 9,
Jüri alevik, Rae vald,
75301 Harjumaa

MATERIAL:

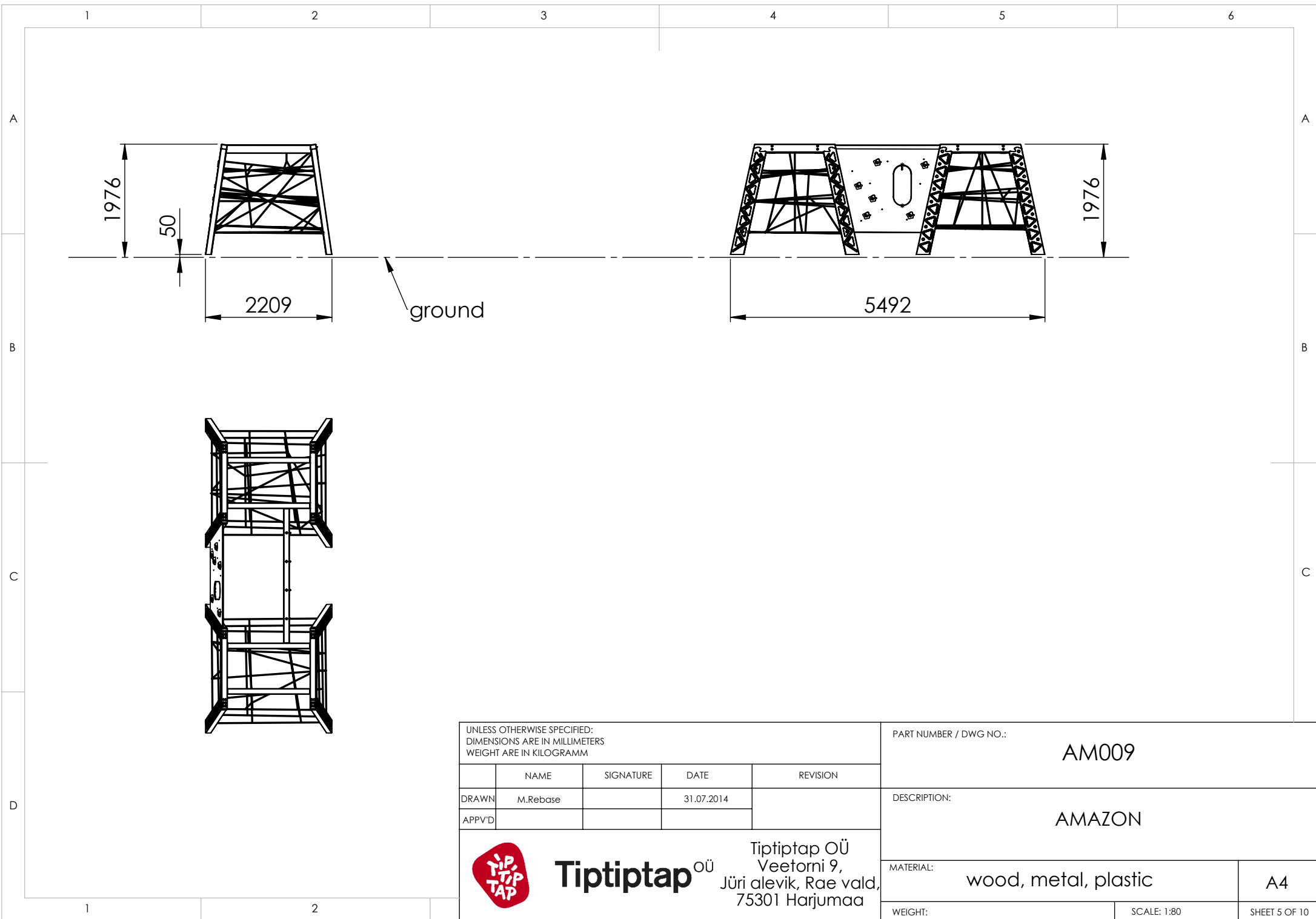
wood, metal, plastic


A4

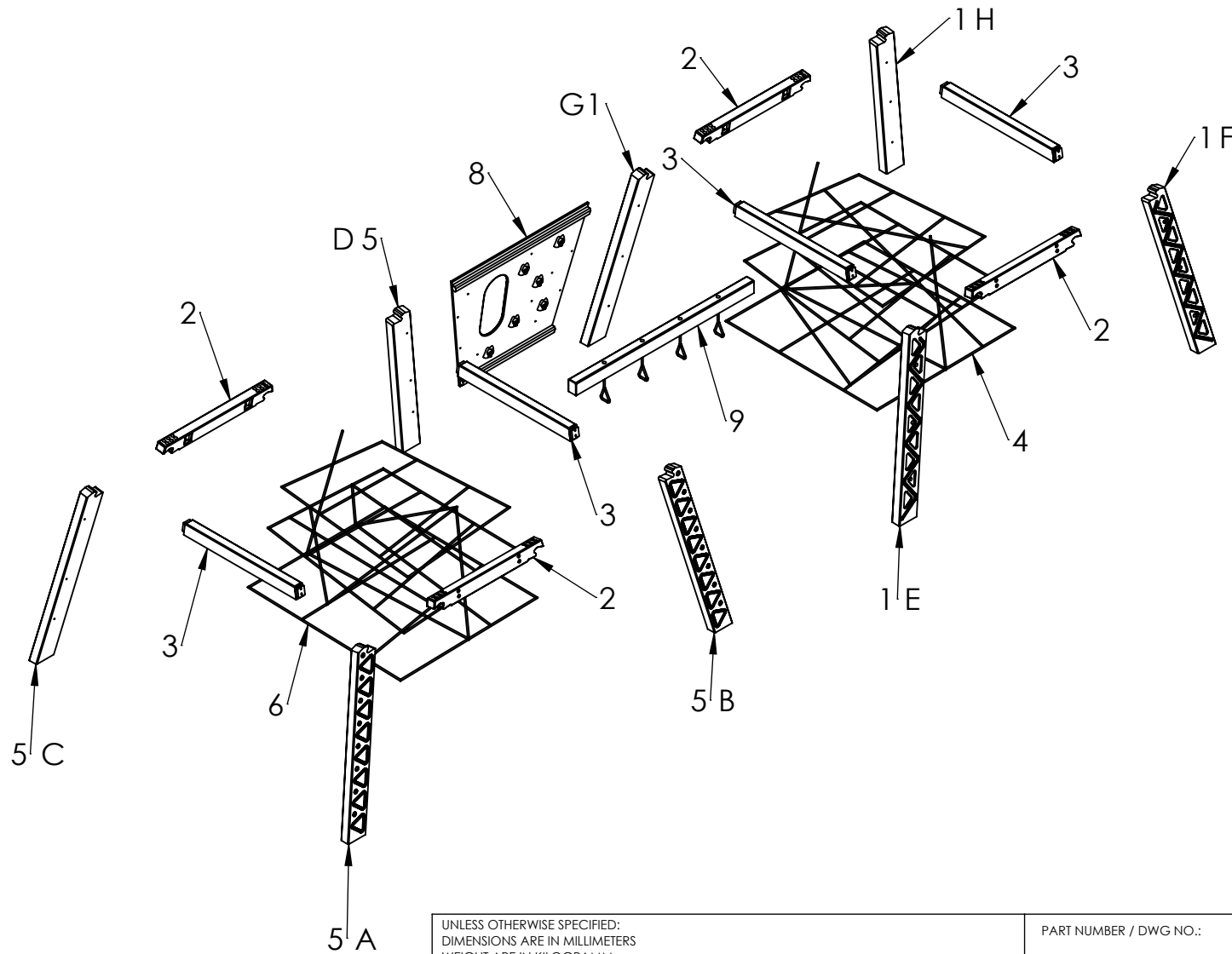
WEIGHT:

SCALE: 1:50

SHEET 4 OF 10



UNLESS OTHERWISE SPECIFIED: DIMENSIONS ARE IN MILLIMETERS WEIGHT ARE IN KILOGRAMM					PART NUMBER / DWG NO.: AM009		
	NAME	SIGNATURE	DATE	REVISION	DESCRIPTION: AMAZON		
DRAWN	M.Rebase		31.07.2014				
APPV'D							
 Tiptaptap OÜ Tiptaptap OÜ Veetorni 9, Jüri alevik, Rae vald, 75301 Harjumaa					MATERIAL:	wood, metal, plastic	A4
					WEIGHT:		SCALE: 1:80



UNLESS OTHERWISE SPECIFIED:
 DIMENSIONS ARE IN MILLIMETERS
 WEIGHT ARE IN KILOGRAMM

PART NUMBER / DWG NO.:
AM009

	NAME	SIGNATURE	DATE	REVISION
DRAWN	M.Rebase		31.07.2014	
APPV'D				

DESCRIPTION:
AMAZON



Tiptaptap OÜ
 Veetorni 9,
 Jüri alevik, Rae vald,
 75301 Harjumaa

MATERIAL:	wood, metal, plastic	A4
WEIGHT:	SCALE: 1:60	SHEET 6 OF 10

ITEM NO.	PART NUMBER	DESCRIPTION	QTY.
1	post 105x210x1945	laminated wood	4
2	beam 105x145x1440	laminated wood	4
3	beam 105x145x1533	laminated wood	4
4	climbing net (B)	PP covered steel wire	1
5	post 105x210x1945	laminated wood	4
6	climbing net (A)	PP covered steel wire	1
7	rope ϕ 16x2350	PP covered steel wire	1
8	climbing wall with climbing grips	plywood	1
9	beam with hanging triangles	wood, PP covered steel wire	1



UNLESS OTHERWISE SPECIFIED:
DIMENSIONS ARE IN MILLIMETERS
WEIGHT ARE IN KILOGRAMM

PART NUMBER / DWG NO.:
AM009

	NAME	SIGNATURE	DATE	REVISION
DRAWN	M.Rebase		31.07.2014	
APPV'D				

DESCRIPTION:
AMAZON



Tiptiptap OÜ
Veetorni 9,
Jüri alevik, Rae vald,
75301 Harjumaa

MATERIAL:	wood, metal, plastic	A4
WEIGHT:	SCALE: 1:60	SHEET 7 OF 10

A

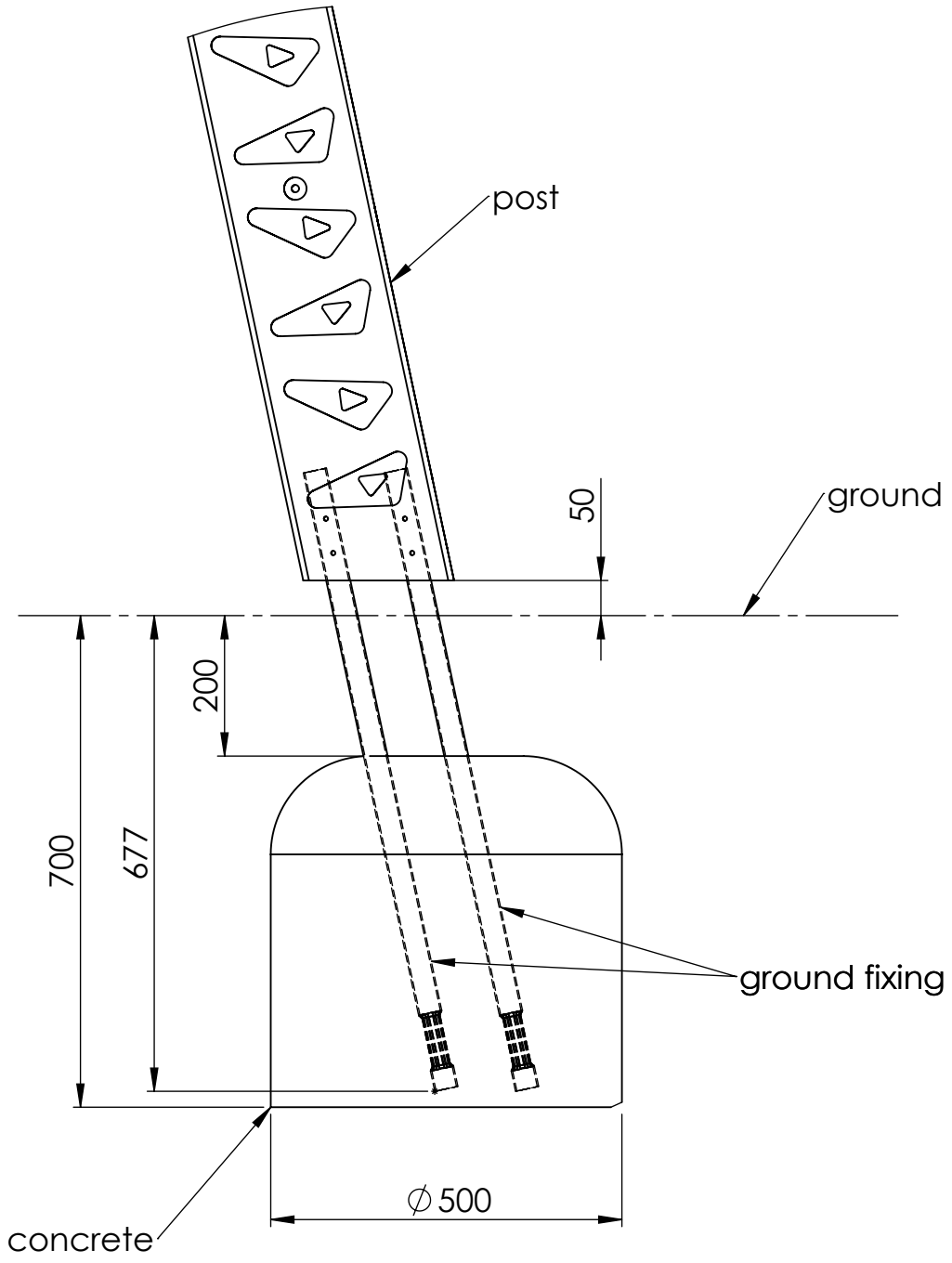
B

C

D

E

F



UNLESS OTHERWISE SPECIFIED: DIMENSIONS ARE IN MILLIMETERS WEIGHT ARE IN KILOGRAMM				
	NAME	SIGNATURE	DATE	REVISION
DRAWN	M.Rebase		31.07.2014	
APPV'D				

PART NUMBER / DWG NO.:	AM009
DESCRIPTION:	AMAZON


Tiptaptap OÜ
 Veetorni 9,
 Jüri alevik, Rae vald,
 75301 Harjumaa

MATERIAL:	wood, metal, plastic	A4
WEIGHT:	SCALE: 1:10	SHEET 8 OF 10

A

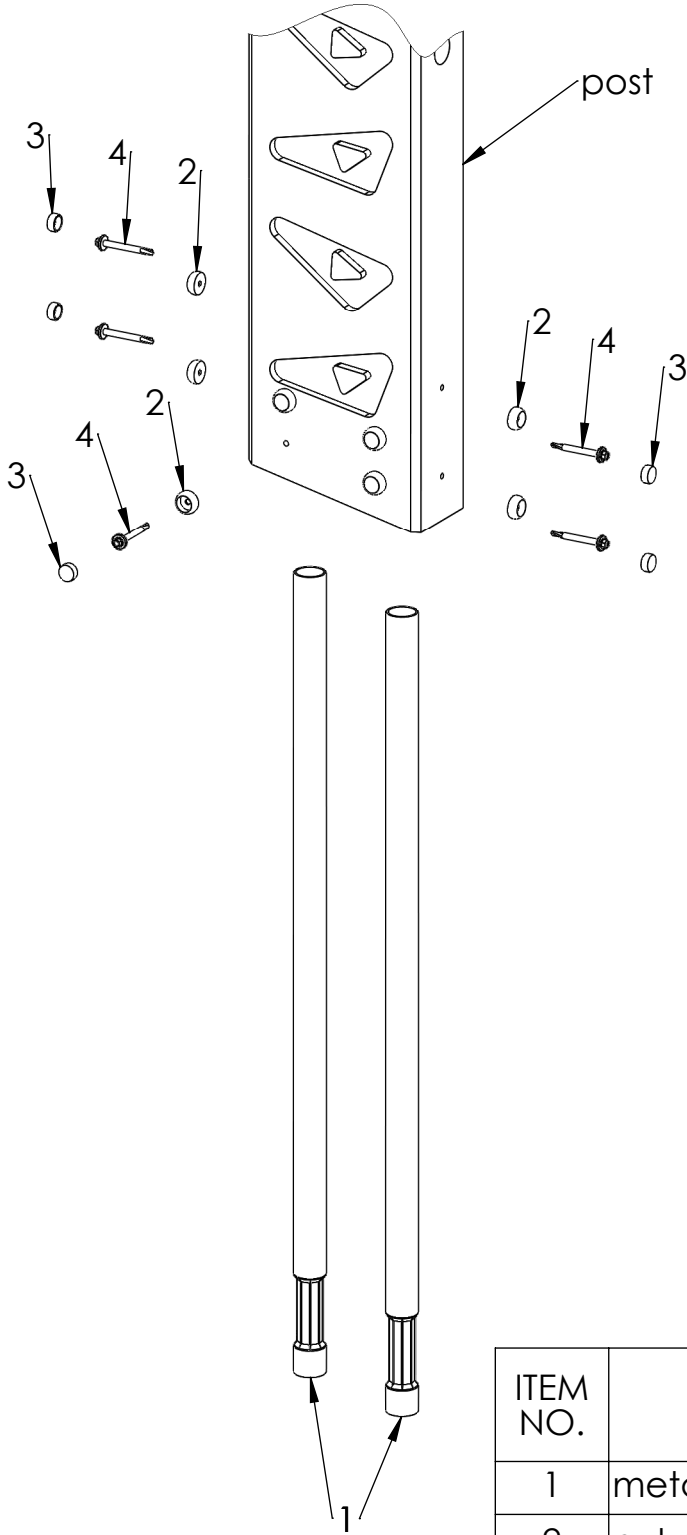
B

C

D

E

F



ITEM NO.	PART NUMBER
1	metal ground fixing
2	nut cover M6
3	nut cover cap M6
4	screw DIN7504K 5,5x68

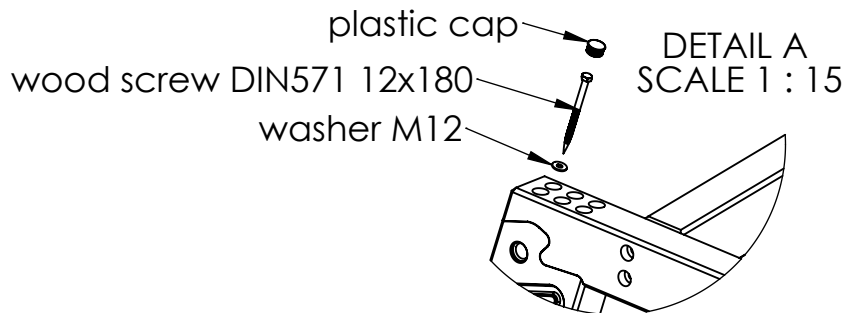
UNLESS OTHERWISE SPECIFIED: DIMENSIONS ARE IN MILLIMETERS WEIGHT ARE IN KILOGRAMM				
	NAME	SIGNATURE	DATE	REVISION
DRAWN	M.Rebase		31.07.2014	
APPV'D				

PART NUMBER / DWG NO.:	AM009
DESCRIPTION:	AMAZON

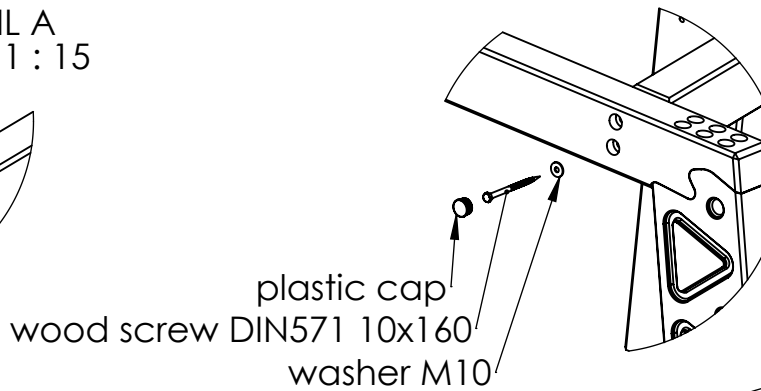


Tiptaptap OÜ
 Veetorni 9,
 Jüri alevik, Rae vald,
 75301 Harjumaa

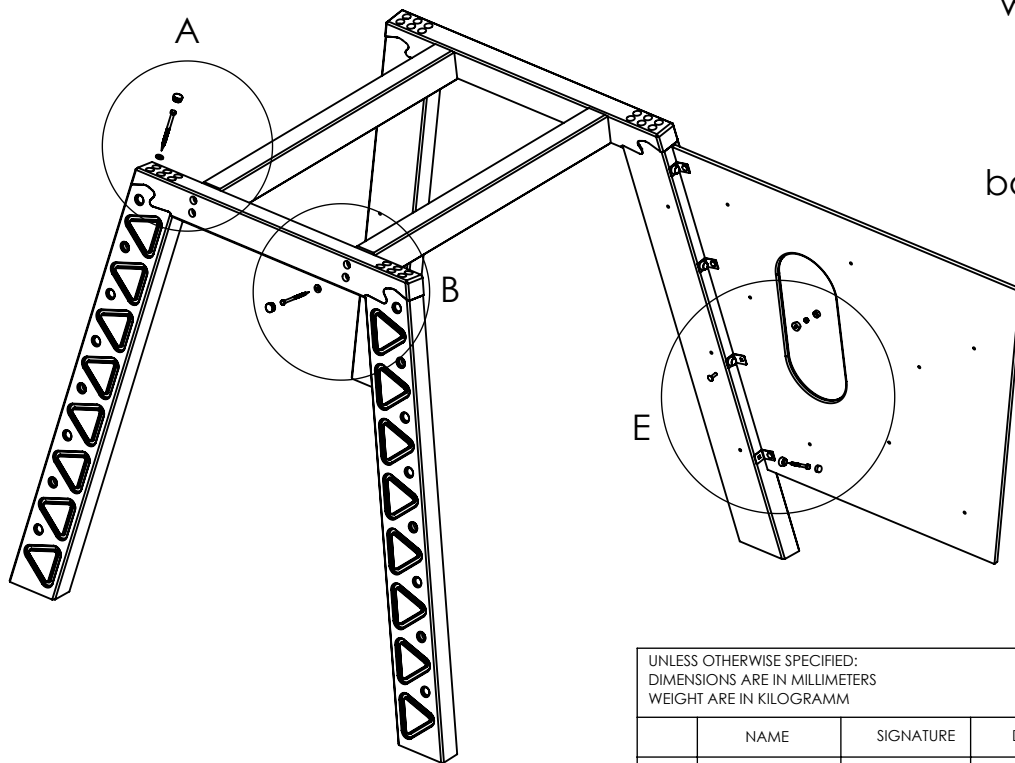
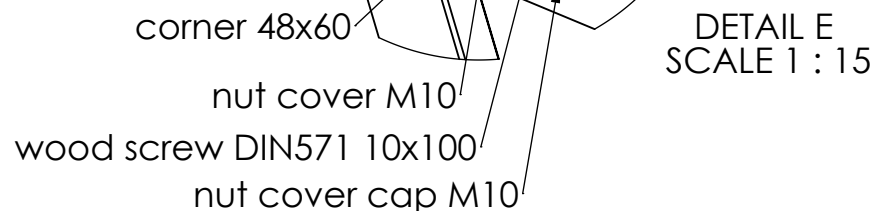
MATERIAL:	wood, metal, plastic	A4
WEIGHT:	SCALE: 1:8	SHEET 9 OF 10



DETAIL B
SCALE 1 : 15



bolt DIN603 M10x35



UNLESS OTHERWISE SPECIFIED:
DIMENSIONS ARE IN MILLIMETERS
WEIGHT ARE IN KILOGRAMM

	NAME	SIGNATURE	DATE	REVISION
DRAWN	M.Rebase		31.07.2014	
APPV'D				

PART NUMBER / DWG NO.: **AM009**

DESCRIPTION: **AMAZON**



Tiptaptap OÜ
Tiptaptap OÜ
Veetorni 9,
Jüri alevik, Rae vald,
75301 Harjumaa

MATERIAL: **wood, metal, plastic** A4

WEIGHT: SCALE: 1:30 SHEET 10 OF 10