

A

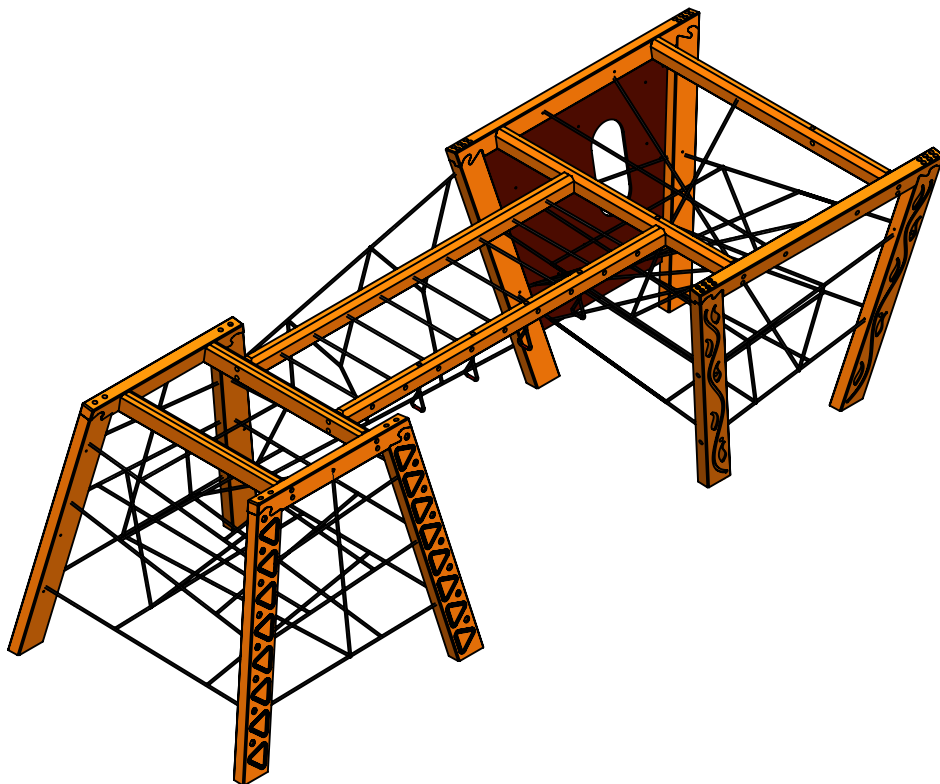
B

C

D

E

F



UNLESS OTHERWISE SPECIFIED:
 DIMENSIONS ARE IN MILLIMETERS
 WEIGHT ARE IN KILOGRAMM

PART NUMBER / DWG NO.:

AM008

	NAME	SIGNATURE	DATE	REVISION
DRAWN	M.Rebase		05.08.2014	
APPV'D				

DESCRIPTION:

AMAZON



Tiptaptap OÜ

Tiptaptap OÜ
 Veetorni 9,
 Jüri alevik, Rae vald,
 75301 Harjumaa

MATERIAL:

wood, metal, plastic

A4

WEIGHT:

SCALE: 1:50

SHEET 1 OF 11

A

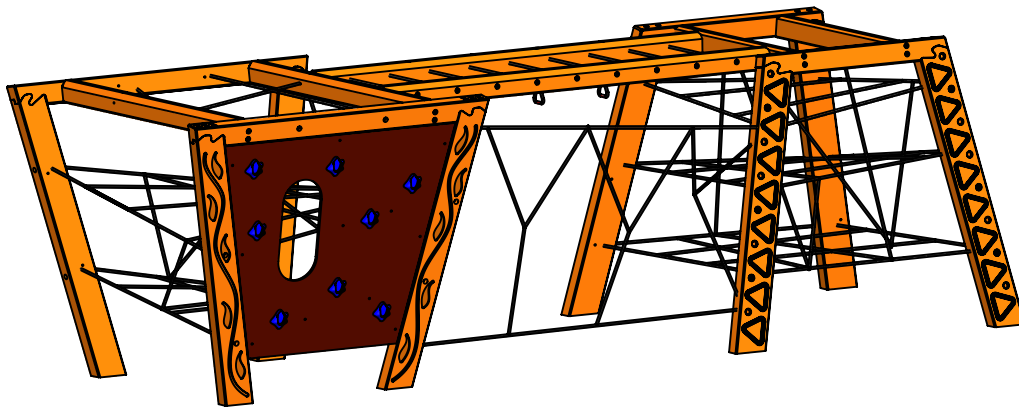
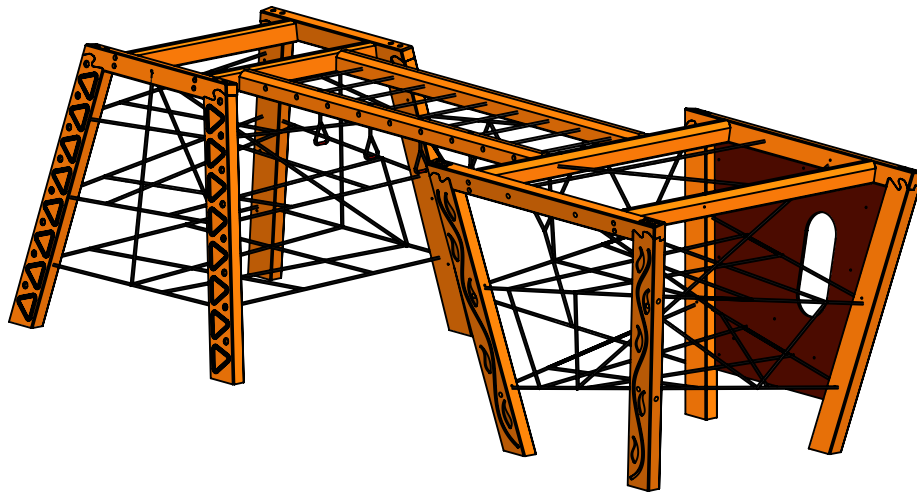
B

C

D

E

F



UNLESS OTHERWISE SPECIFIED:
 DIMENSIONS ARE IN MILLIMETERS
 WEIGHT ARE IN KILOGRAMM

PART NUMBER / DWG NO.:

AM008

	NAME	SIGNATURE	DATE	REVISION
DRAWN	M.Rebase		05.08.2014	
APPV'D				

DESCRIPTION:

AMAZON



Tiptaptap OÜ

Tiptaptap OÜ
 Veetorni 9,
 Jüri alevik, Rae vald,
 75301 Harjumaa

MATERIAL:

wood, metal, plastic

A4

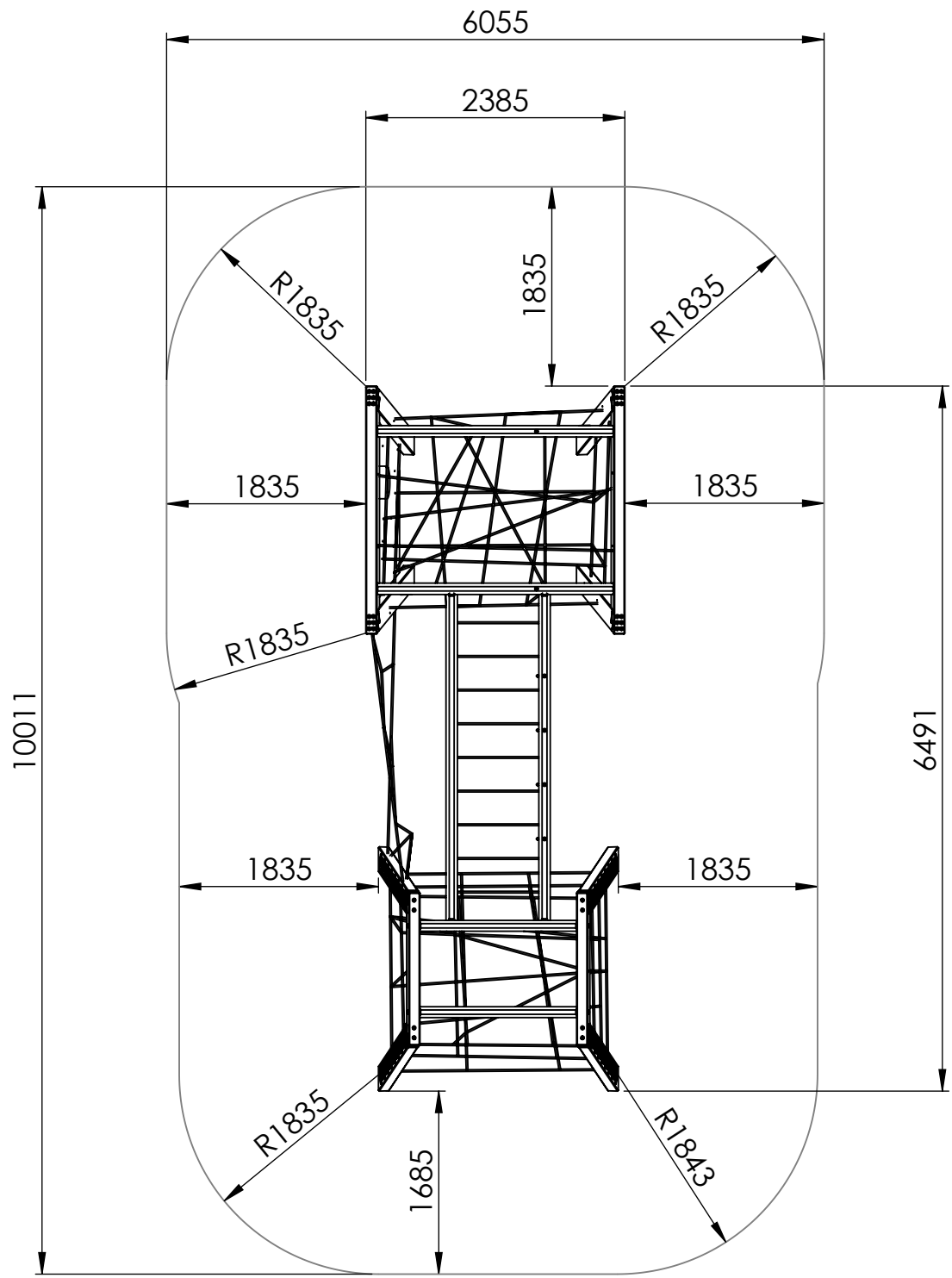
WEIGHT:

SCALE: 1:50

SHEET 2 OF 11

safety area

A
B
C
D
E



UNLESS OTHERWISE SPECIFIED: DIMENSIONS ARE IN MILLIMETERS WEIGHT ARE IN KILOGRAMM				
	NAME	SIGNATURE	DATE	REVISION
DRAWN	M.Rebase		05.08.2014	
APPV'D				

PART NUMBER / DWG NO.:
AM008

DESCRIPTION:
**AMAZON
safety area**

 **Tiptap** OÜ
Veetorni 9,
Jüri alevik, Rae vald,
75301 Harjumaa

MATERIAL:	wood, metal, plastic	A4
WEIGHT:	SCALE: 1:60	SHEET 3 OF 11

foundation

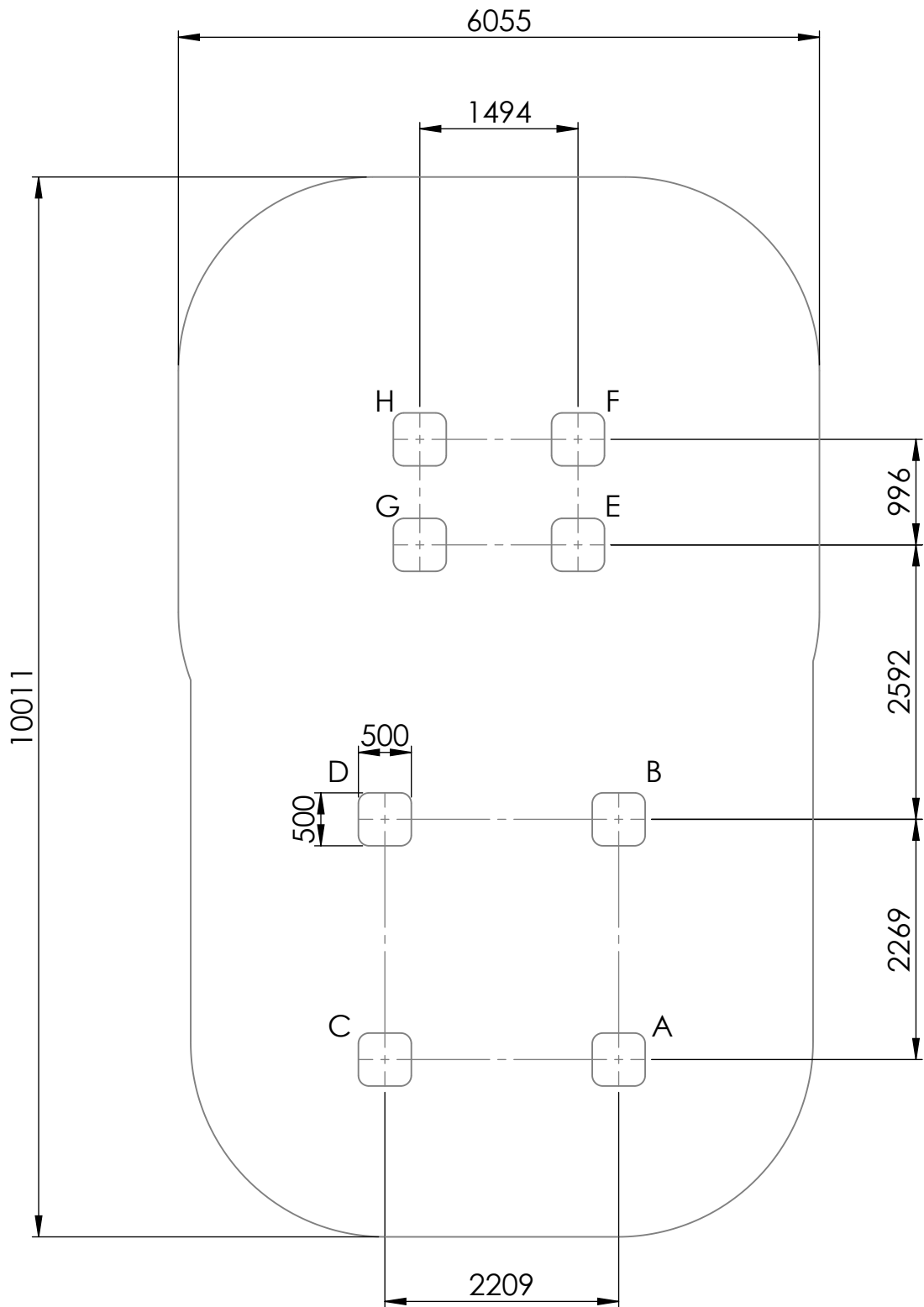
A

B

C

D

E



depth of foundation 700mm

UNLESS OTHERWISE SPECIFIED:
DIMENSIONS ARE IN MILLIMETERS
WEIGHT ARE IN KILOGRAMM

PART NUMBER / DWG NO.:

AM008

	NAME	SIGNATURE	DATE	REVISION
DRAWN	M.Rebase		05.08.2014	
APPV'D				

DESCRIPTION:

AMAZON
foundation



Tiptiptap OÜ

Tiptiptap OÜ
Veetorni 9,
Jüri alevik, Rae vald,
75301 Harjumaa

MATERIAL:

wood, metal, plastic

A4

WEIGHT:

SCALE: 1:60

SHEET 4 OF 11

A

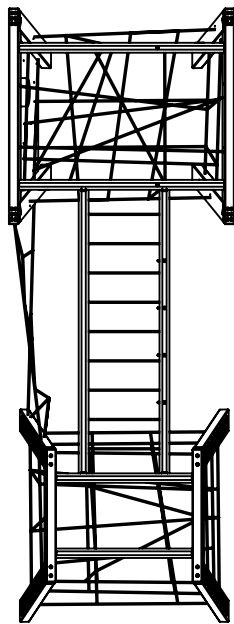
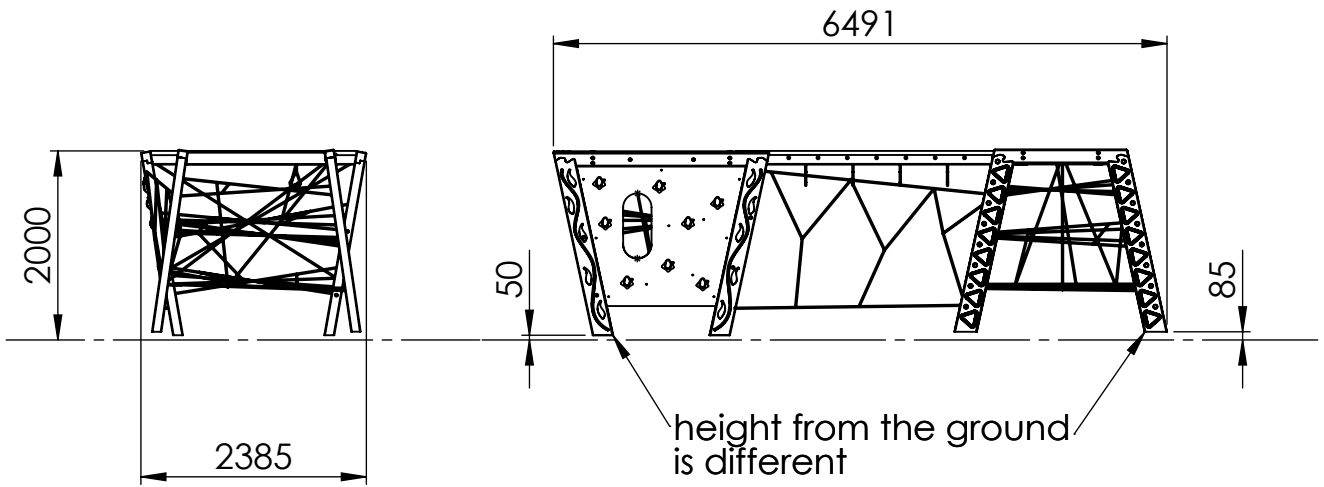
B

C

D

E

F



UNLESS OTHERWISE SPECIFIED:
 DIMENSIONS ARE IN MILLIMETERS
 WEIGHT ARE IN KILOGRAMM

PART NUMBER / DWG NO.:

AM008

	NAME	SIGNATURE	DATE	REVISION
DRAWN	M.Rebase		05.08.2014	
APPV'D				

DESCRIPTION:

AMAZON



Tiptaptap OÜ

Tiptaptap OÜ
 Veetorni 9,
 Jüri alevik, Rae vald,
 75301 Harjumaa

MATERIAL:

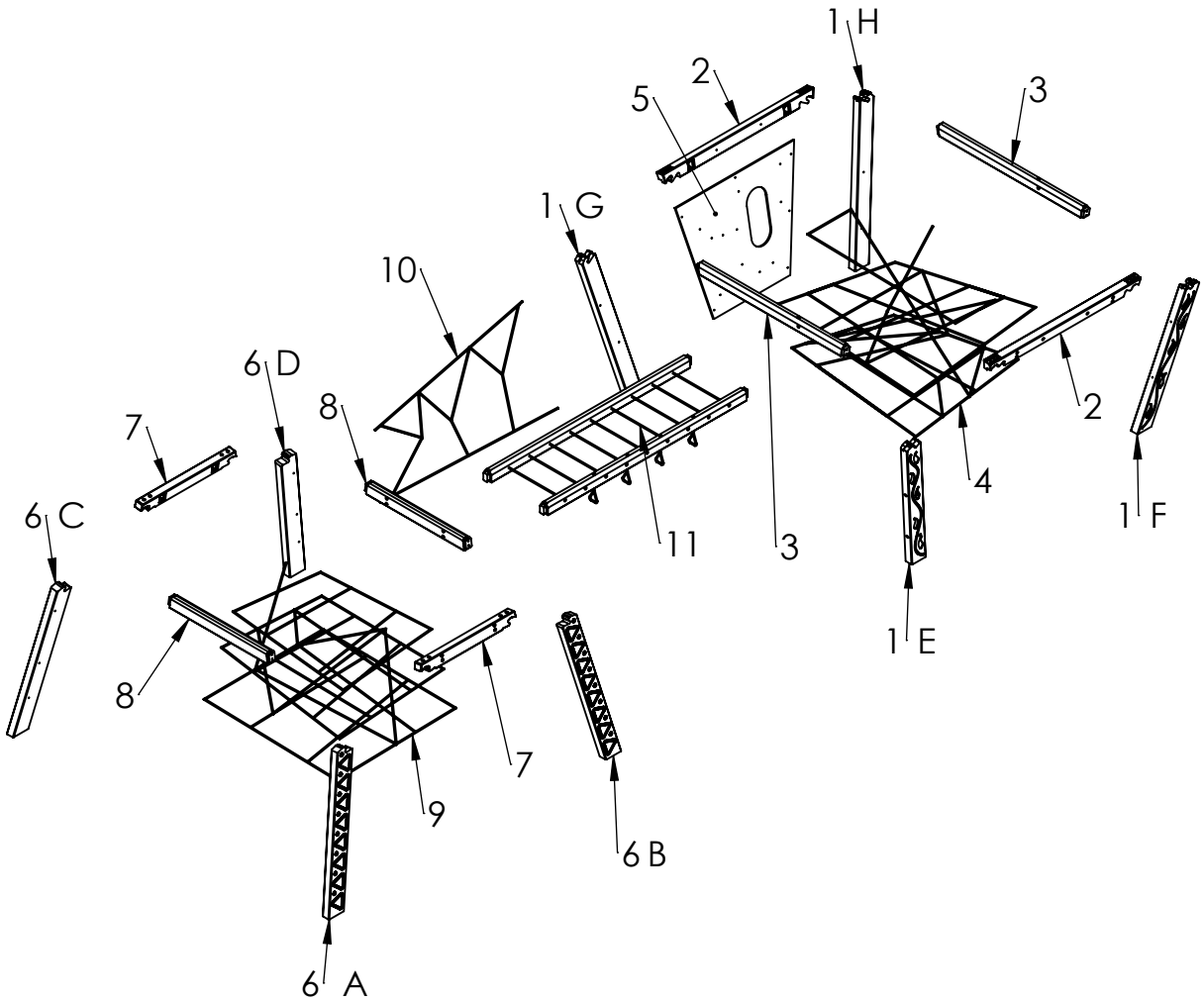
wood, metal, plastic

A4

WEIGHT:

SCALE: 1:80

SHEET 5 OF 11



ITEM NO.	PART NUMBER	DESCRIPTION	QTY.
1	post 105x210x1995	laminated wood	4
2	beam 105x145x2285	laminated wood	2
3	beam 105x145x2200	laminated wood	2
4	climbing net for AM001	PP covered steel wire	1
5	climbing wall 1500x1790 with climbing grips	plywood, metal	1
6	post 105x210x1945	laminated wood	4
7	beam 105x145x1440	laminated wood	2
8	beam 105x145x1533	laminated wood	2
9	climbing net for AM004	PP covered steel wire	1
10	climbing net 1500x2560	PP covered steel wire	1
11	horizontal rope ladder	PP covered steel wire, wood	1

UNLESS OTHERWISE SPECIFIED:
DIMENSIONS ARE IN MILLIMETERS
WEIGHT ARE IN KILOGRAMM

PART NUMBER / DWG NO.:

AM008

	NAME	SIGNATURE	DATE	REVISION
DRAWN	M.Rebase		05.08.2014	
APPV'D				

DESCRIPTION:

AMAZON



Tiptaptap OÜ

Tiptaptap OÜ
Veetorni 9,
Jüri alevik, Rae vald,
75301 Harjumaa

MATERIAL:

wood, metal, plastic

A4

WEIGHT:

SCALE: 1:80

SHEET 6 OF 11

A

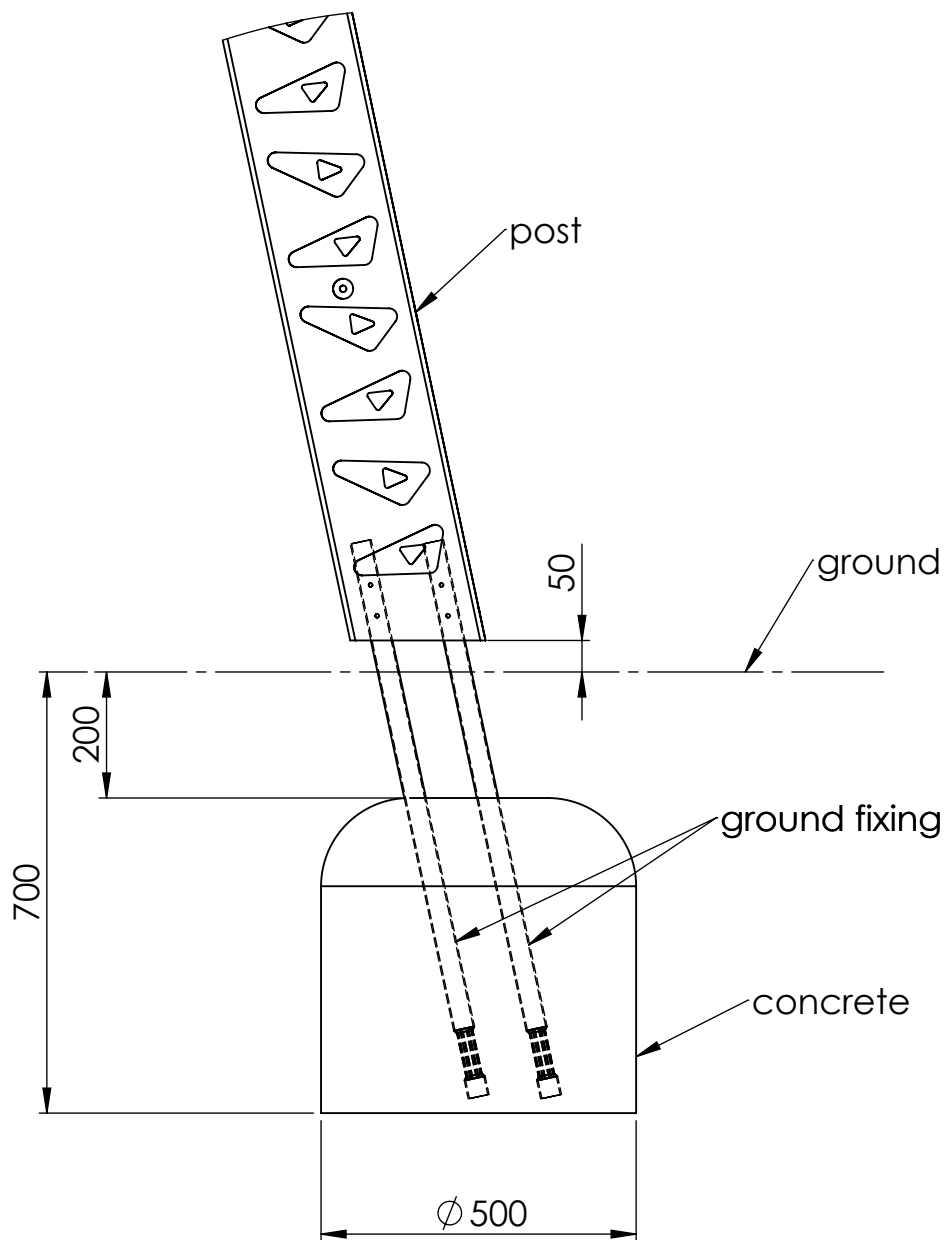
B

C

D

E

F



UNLESS OTHERWISE SPECIFIED:
 DIMENSIONS ARE IN MILLIMETERS
 WEIGHT ARE IN KILOGRAMM

PART NUMBER / DWG NO.:
AM008

	NAME	SIGNATURE	DATE	REVISION
DRAWN	M.Rebase		05.08.2014	
APPV'D				

DESCRIPTION:
AMAZON



Tiptiptap OÜ

Tiptiptap OÜ
 Veetorni 9,
 Jüri alevik, Rae vald,
 75301 Harjumaa

MATERIAL: wood, metal, plastic

A4

WEIGHT: SCALE: 1:12 SHEET 7 OF 11

A

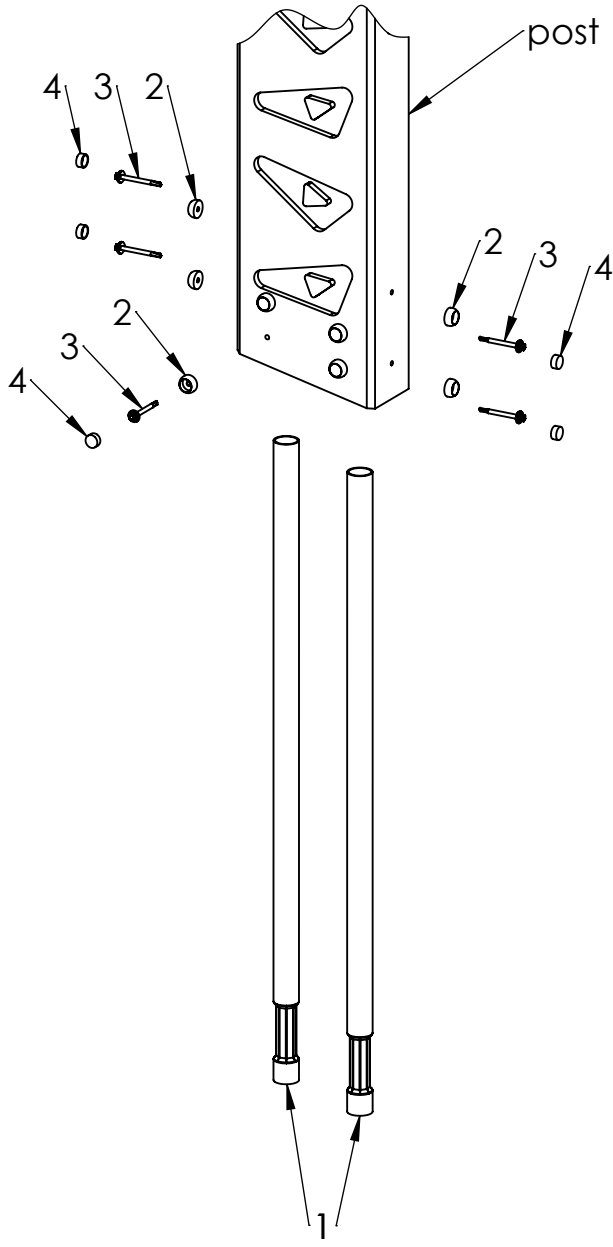
B

C

D

E

F



ITEM NO.	PART NUMBER
1	metal ground fixing
2	nut cover M6
3	screw DIN7504K 5,5x68
4	nut cover cap M6

UNLESS OTHERWISE SPECIFIED: DIMENSIONS ARE IN MILLIMETERS WEIGHT ARE IN KILOGRAMM				
	NAME	SIGNATURE	DATE	REVISION
DRAWN	M.Rebase		05.08.2014	
APPV'D				

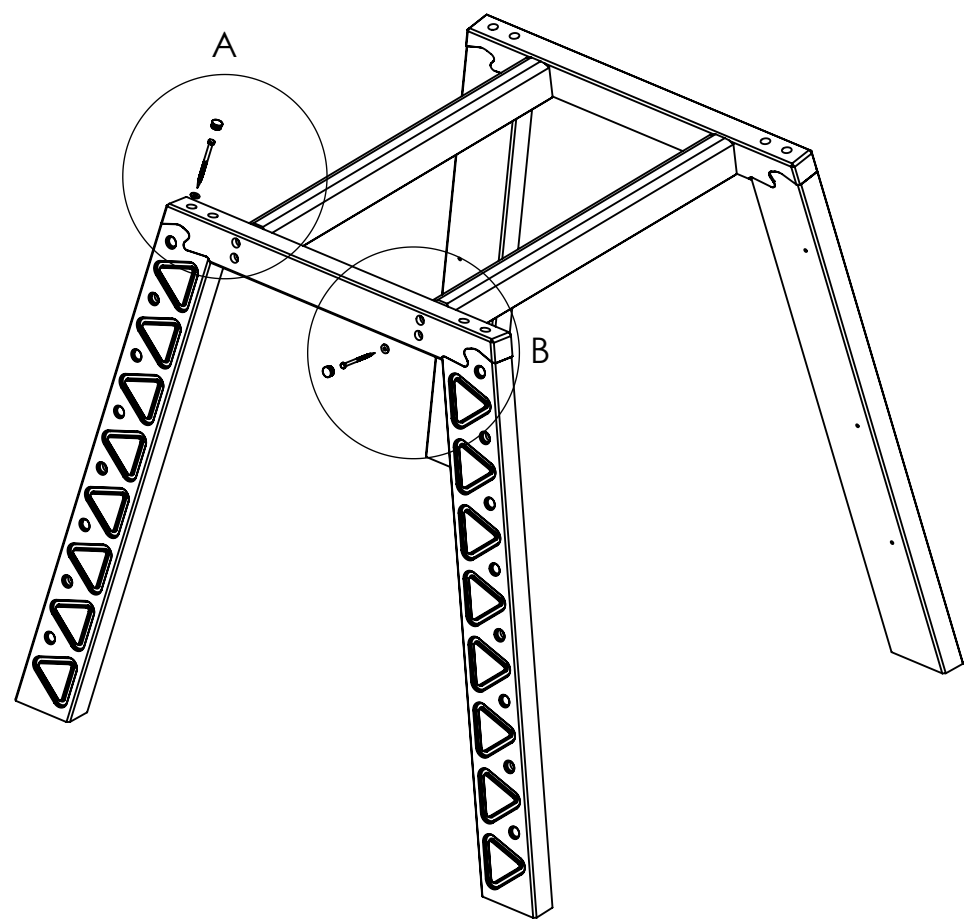
PART NUMBER / DWG NO.:
AM008

DESCRIPTION:
AMAZON
connecting ground fixings to post



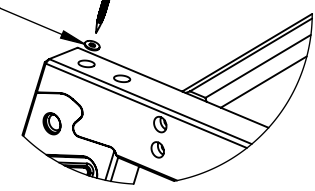
Tiptiptap OÜ
Veetorni 9,
Jüri alevik, Rae vald,
75301 Harjumaa

MATERIAL:	wood, metal, plastic	A4
WEIGHT:	SCALE: 1:10	SHEET 8 OF 11



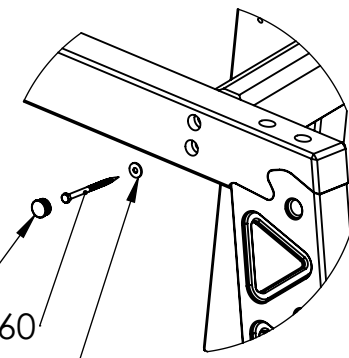
plastic cap
 wood screw DIN571 12x180
 washer M12

DETAIL A
 SCALE 1 : 15



DETAIL B
 SCALE 1 : 15

plastic cap
 wood screw DIN571 10x160
 washer M10



UNLESS OTHERWISE SPECIFIED:
 DIMENSIONS ARE IN MILLIMETERS
 WEIGHT ARE IN KILOGRAMM

	NAME	SIGNATURE	DATE	REVISION
DRAWN	M.Rebase		05.08.2014	
APPV'D				

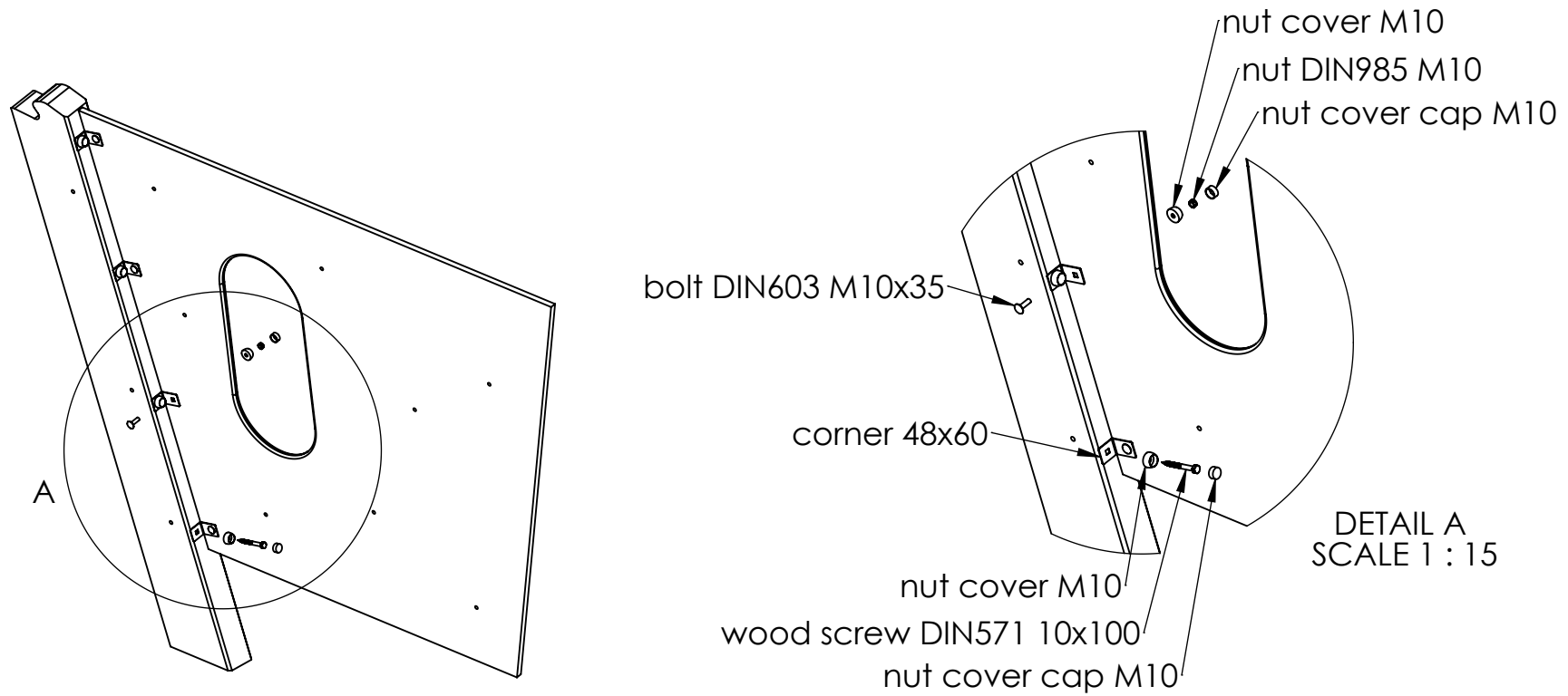
PART NUMBER / DWG NO.:
AM008

DESCRIPTION:
AMAZON
 connecting beams and posts



Tiptiptap OÜ
 Tiptiptap OÜ
 Veetorni 9,
 Jüri alevik, Rae vald,
 75301 Harjumaa

MATERIAL:	wood, metal, plastic	A4
WEIGHT:		SCALE: 1:25
		SHEET 9 OF 11



DETAIL A
SCALE 1 : 15

UNLESS OTHERWISE SPECIFIED:
DIMENSIONS ARE IN MILLIMETERS
WEIGHT ARE IN KILOGRAMM

PART NUMBER / DWG NO.:
AM008

	NAME	SIGNATURE	DATE	REVISION
DRAWN	M.Rebase		05.08.2014	
APPV'D				

DESCRIPTION:
AMAZON
connecting panel to post



Tiptaptap OÜ
Tiptaptap OÜ
Veetorni 9,
Jüri alevik, Rae vald,
75301 Harjumaa

MATERIAL:
wood, metal, plastic

A4

WEIGHT: SCALE: 1:20 SHEET 10 OF 11

1 2 3 4 5 6

A

A

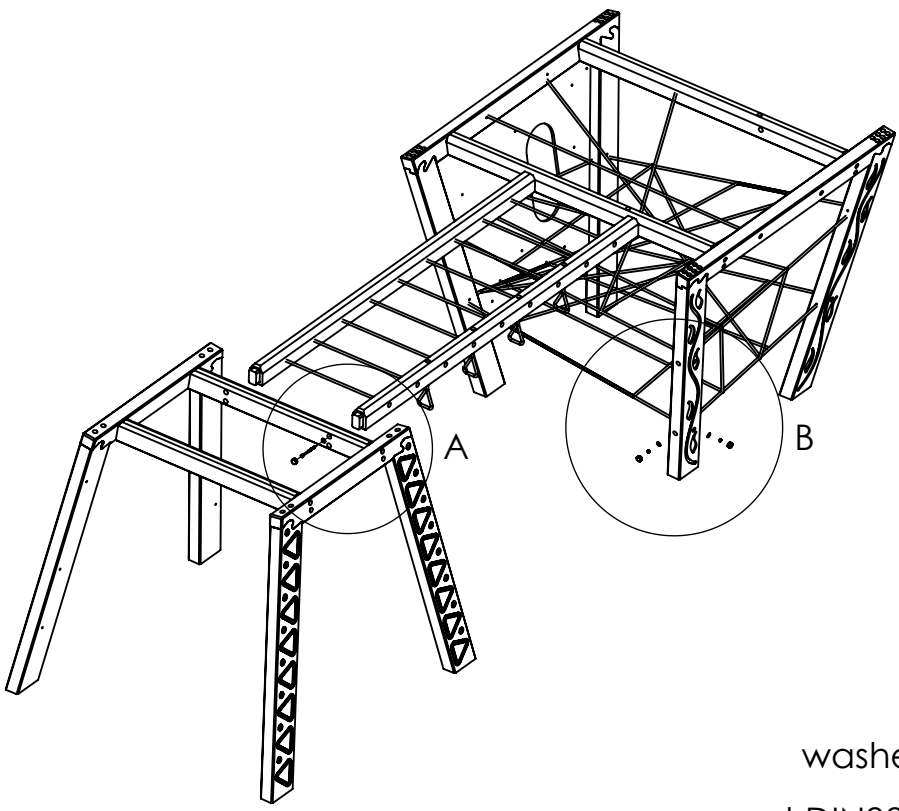
B

B

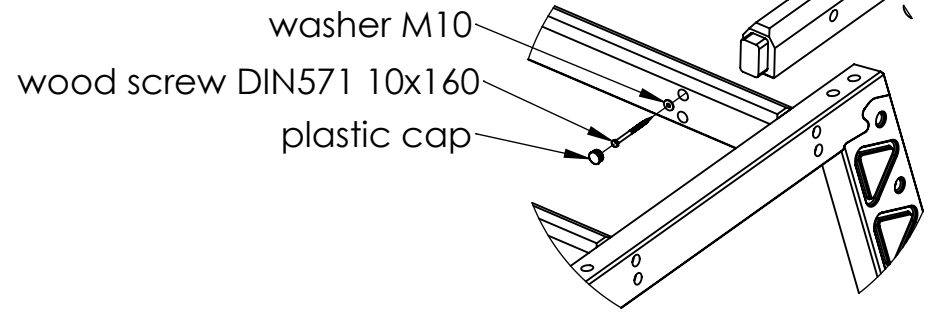
C

C

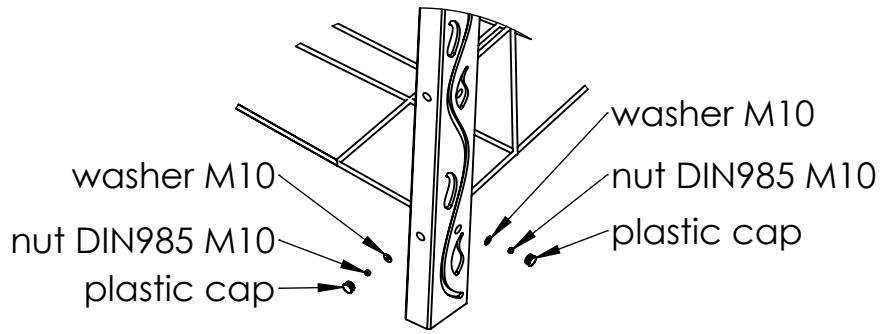
D



DETAIL A
SCALE 1 : 20



DETAIL B
SCALE 1 : 25



UNLESS OTHERWISE SPECIFIED:
DIMENSIONS ARE IN MILLIMETERS
WEIGHT ARE IN KILOGRAMM

PART NUMBER / DWG NO.:
AM008

	NAME	SIGNATURE	DATE	REVISION
DRAWN	M.Rebase		05.08.2014	
APPV'D				

DESCRIPTION:
AMAZON
connecting ladder and net to frame



Tiptiptap OÜ
Tiptiptap OÜ
Veetorni 9,
Jüri alevik, Rae vald,
75301 Harjumaa

MATERIAL:
wood, metal, plastic

A4

WEIGHT: SCALE: 1:50 SHEET 11 OF 11

1 2