

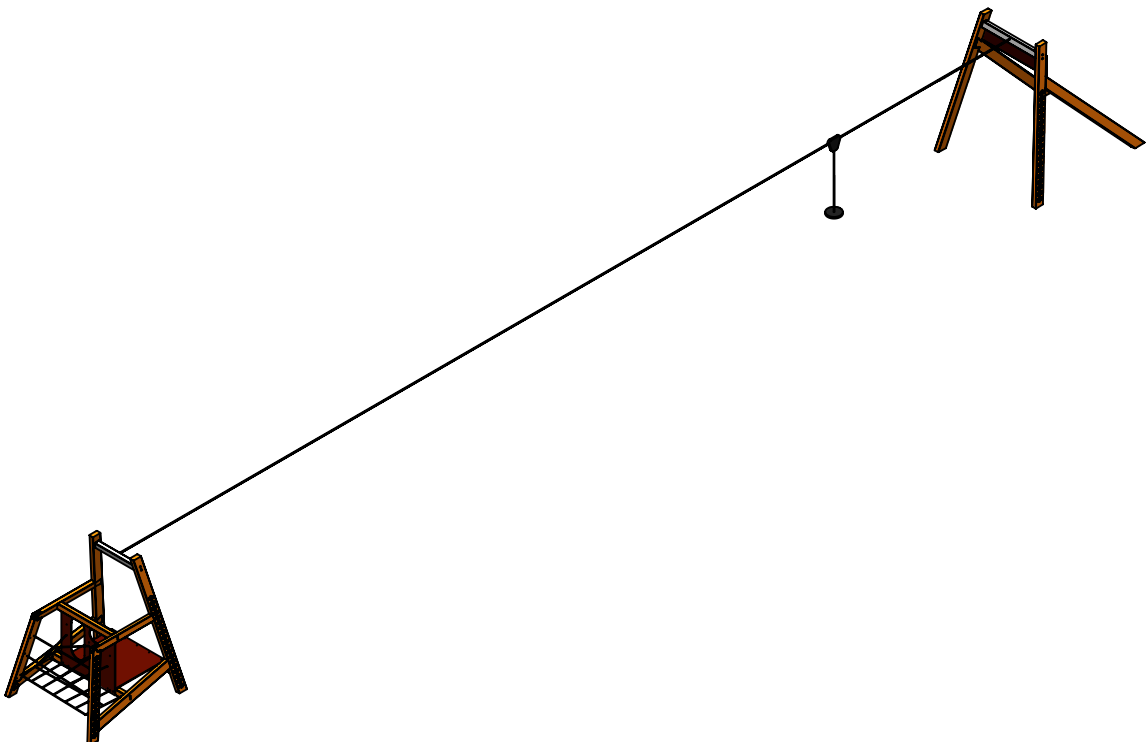
A

B

C

D

E



UNLESS OTHERWISE SPECIFIED:
 DIMENSIONS ARE IN MILLIMETERS
 WEIGHT ARE IN KILOGRAMM

PART NUMBER / DWG NO.:

AM007

	NAME	SIGNATURE	DATE	REVISION
DRAWN	M.Rebase		03.09.2013	
APPV'D				

DESCRIPTION:

AMAZON



Tiptaptap OÜ

Tiptaptap OÜ
 Veetorni 9,
 Jüri alevik, Rae vald,
 75301 Harjumaa

MATERIAL:

wood, metal, plastic

A4

WEIGHT:

SCALE: 1:150

SHEET 1 OF 10

F

safety area

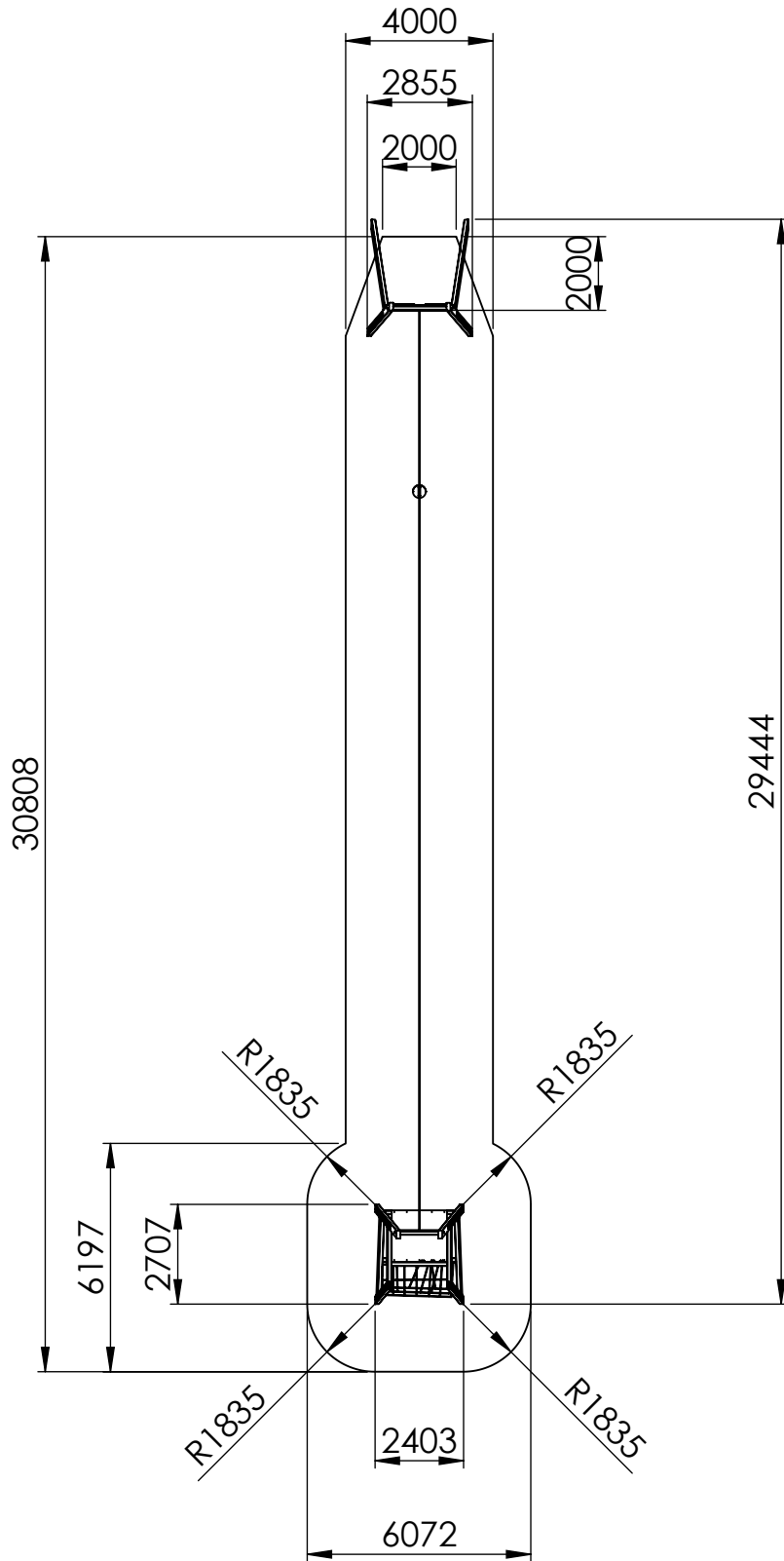
A

B

C

D

E



UNLESS OTHERWISE SPECIFIED:
DIMENSIONS ARE IN MILLIMETERS
WEIGHT ARE IN KILOGRAMM

PART NUMBER / DWG NO.:

AM007
safety area

	NAME	SIGNATURE	DATE	REVISION
DRAWN	M.Rebase		03.09.2013	
APP'VD				

DESCRIPTION:

AMAZON

F



Tiptap OÜ

Tiptap OÜ
Veetorni 9,
Jüri alevik, Rae vald,
75301 Harjumaa

MATERIAL:

wood, metal, plastic

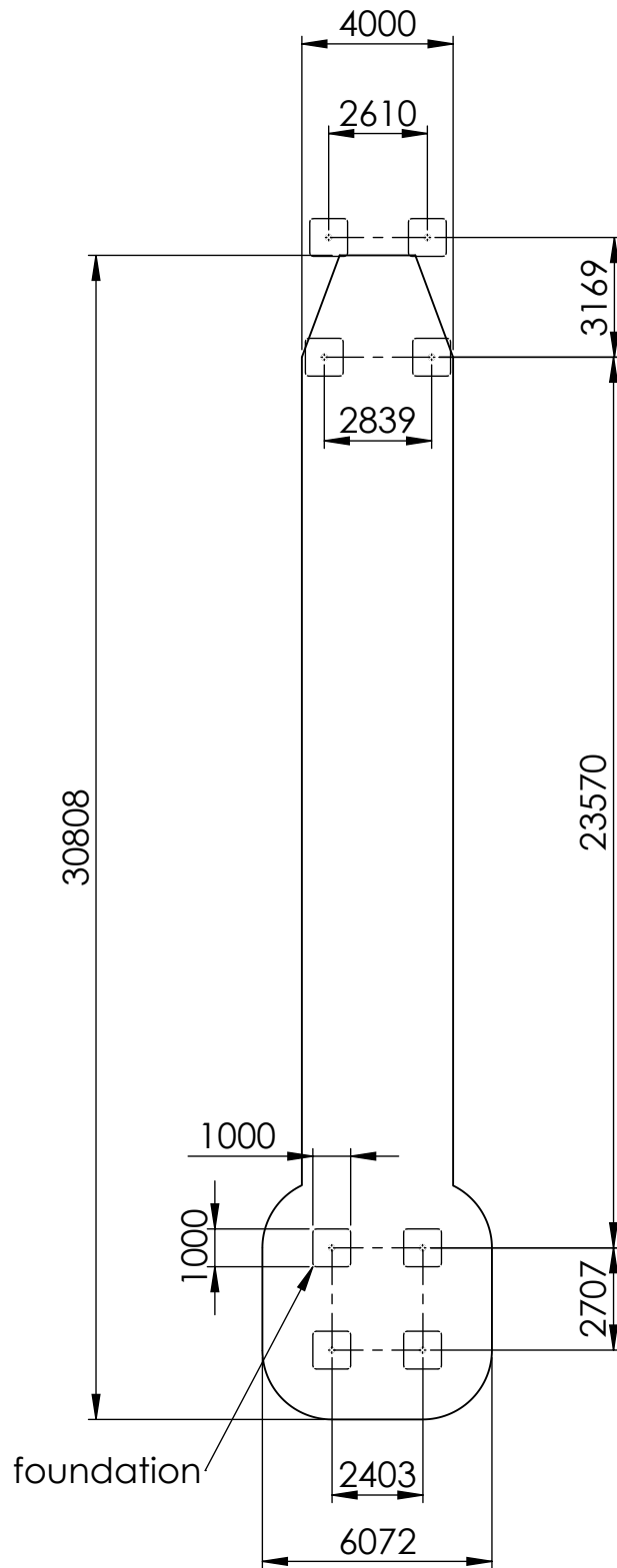
A4

WEIGHT:

SCALE: 1:200

SHEET 2 OF 10

foundation



depth of foundation 700mm

UNLESS OTHERWISE SPECIFIED:
DIMENSIONS ARE IN MILLIMETERS
WEIGHT ARE IN KILOGRAMM

PART NUMBER / DWG NO.:

AM007

	NAME	SIGNATURE	DATE	REVISION
DRAWN	M.Rebase		03.09.2013	
APPV'D				

DESCRIPTION:

AMAZON
foundation

MATERIAL:

wood, metal, plastic

A4

WEIGHT:

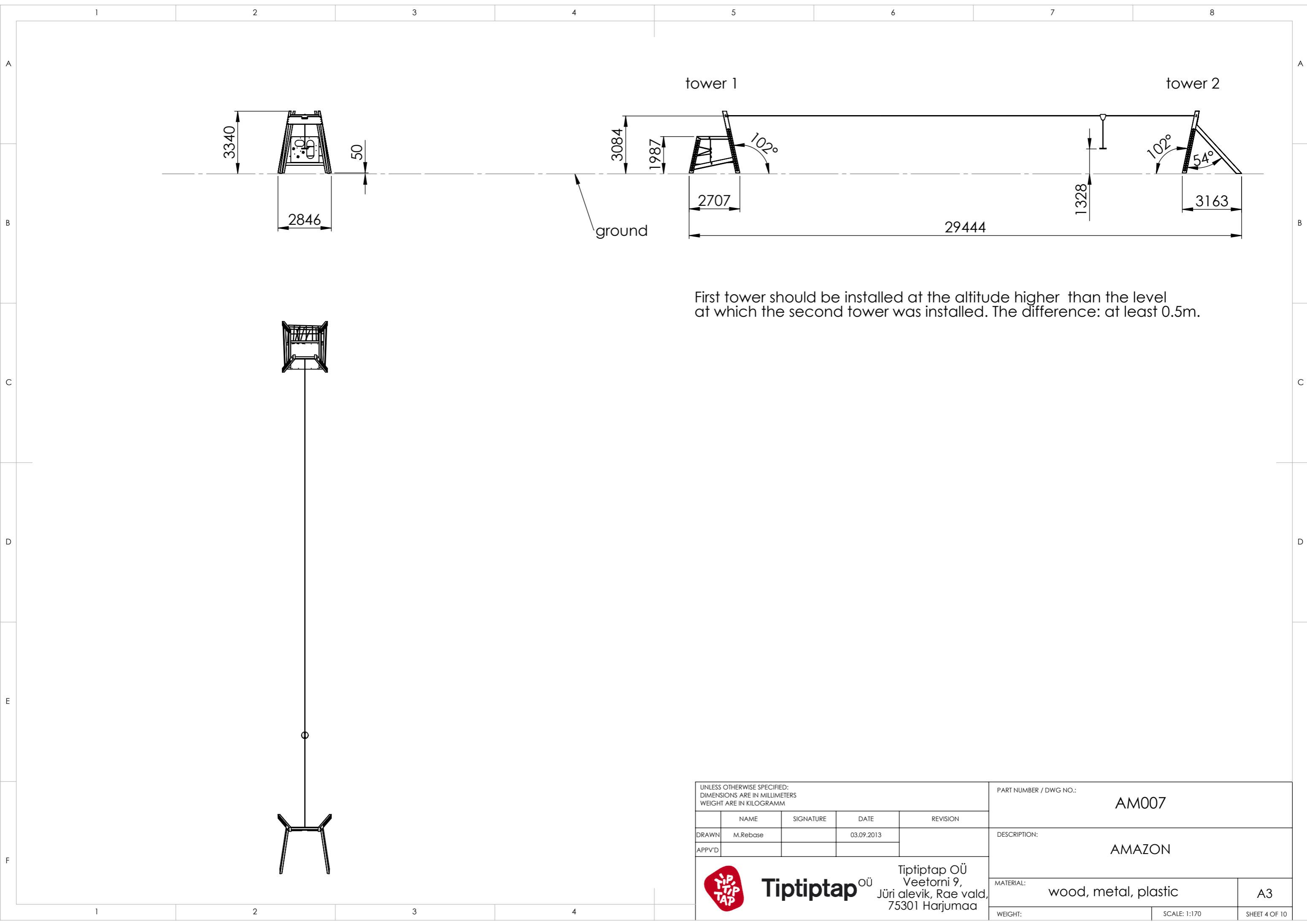
SCALE: 1:200

SHEET 3 OF 10




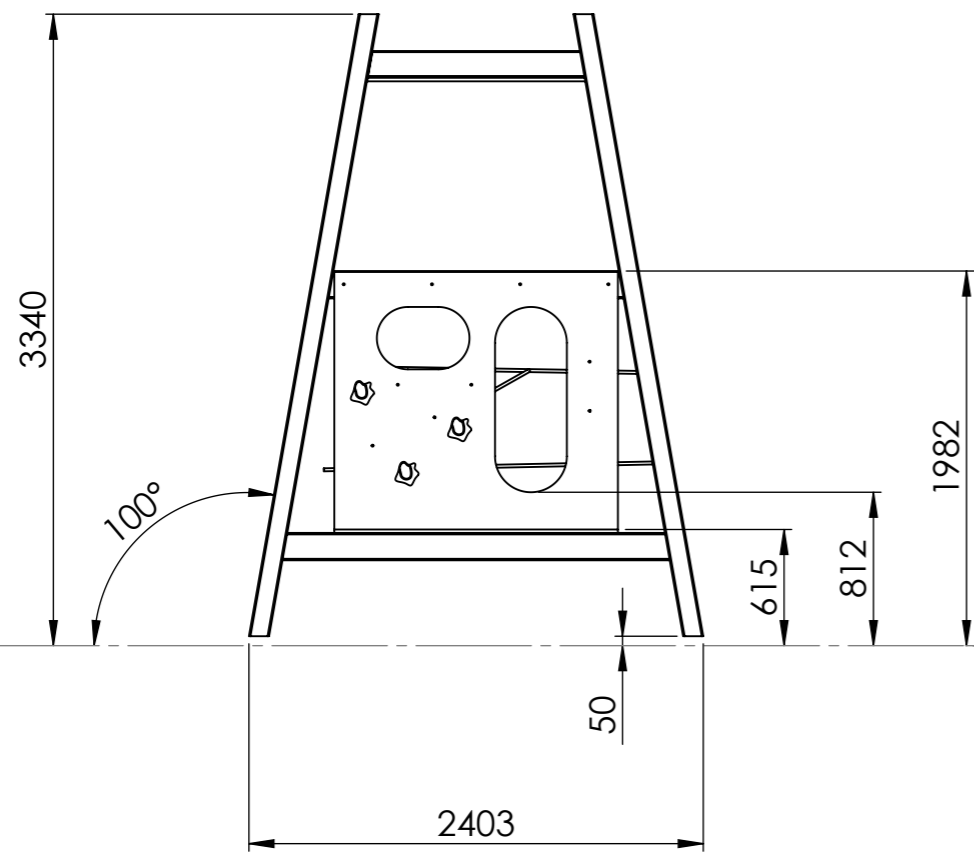
Tiptiptap OÜ

Tiptiptap OÜ
Veetorni 9,
Jüri alevik, Rae vald,
75301 Harjumaa

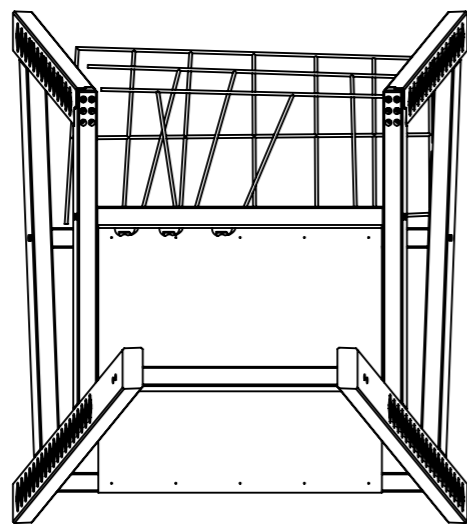
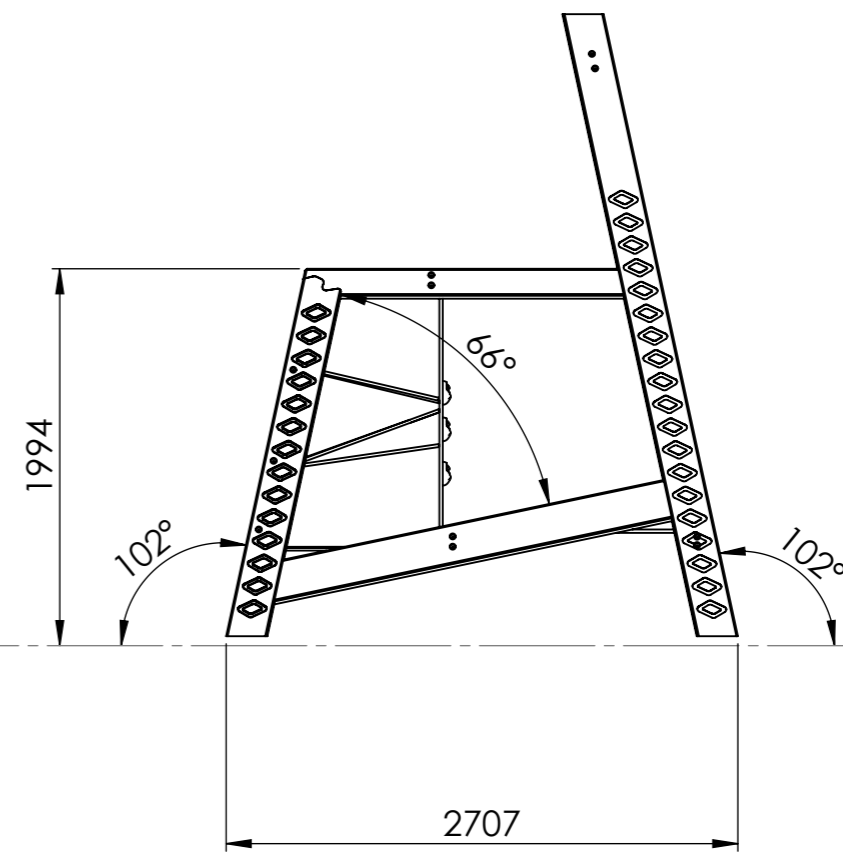



First tower should be installed at the altitude higher than the level at which the second tower was installed. The difference: at least 0.5m.

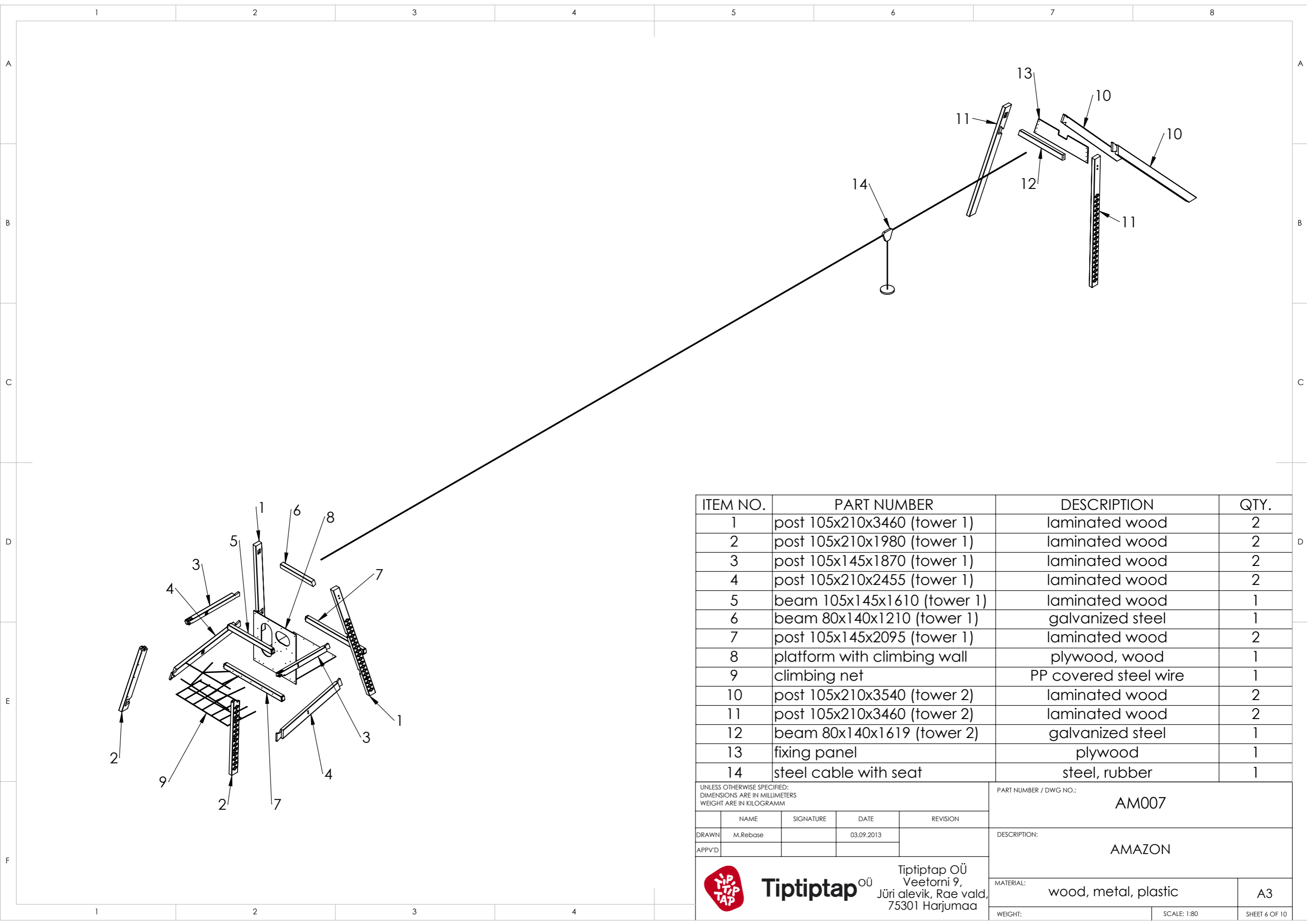
UNLESS OTHERWISE SPECIFIED: DIMENSIONS ARE IN MILLIMETERS WEIGHT ARE IN KILOGRAMM				PART NUMBER / DWG NO.:		AM007	
	NAME	SIGNATURE	DATE	REVISION	DESCRIPTION:		
DRAWN	M.Rebase		03.09.2013		AMAZON		
APPV'D					MATERIAL:	wood, metal, plastic	A3
 Tiptaptap OÜ Tiptaptap OÜ Veetorni 9, Jüri alevik, Rae vald, 75301 Harjumaa				WEIGHT:	SCALE: 1:170	SHEET 4 OF 10	



ground



UNLESS OTHERWISE SPECIFIED: DIMENSIONS ARE IN MILLIMETERS WEIGHT ARE IN KILOGRAMM					PART NUMBER / DWG NO.:		AM007	
	NAME	SIGNATURE	DATE	REVISION	DESCRIPTION:			
DRAWN	M.Rebase		03.09.2013		AMAZON			
APPV'D					MATERIAL:		wood, metal, plastic	
 Tiptaptap OÜ Tiptaptap OÜ Veetorni 9, Jüri alevik, Rae vald, 75301 Harjumaa					WEIGHT:		SCALE: 1:40	
							SHEET 5 OF 10	



ITEM NO.	PART NUMBER	DESCRIPTION	QTY.
1	post 105x210x3460 (tower 1)	laminated wood	2
2	post 105x210x1980 (tower 1)	laminated wood	2
3	post 105x145x1870 (tower 1)	laminated wood	2
4	post 105x210x2455 (tower 1)	laminated wood	2
5	beam 105x145x1610 (tower 1)	laminated wood	1
6	beam 80x140x1210 (tower 1)	galvanized steel	1
7	post 105x145x2095 (tower 1)	laminated wood	2
8	platform with climbing wall	plywood, wood	1
9	climbing net	PP covered steel wire	1
10	post 105x210x3540 (tower 2)	laminated wood	2
11	post 105x210x3460 (tower 2)	laminated wood	2
12	beam 80x140x1619 (tower 2)	galvanized steel	1
13	fixing panel	plywood	1
14	steel cable with seat	steel, rubber	1

UNLESS OTHERWISE SPECIFIED:
DIMENSIONS ARE IN MILLIMETERS
WEIGHT ARE IN KILOGRAMM

PART NUMBER / DWG NO.: **AM007**

DESCRIPTION: **AMAZON**

MATERIAL: wood, metal, plastic

WEIGHT: SCALE: 1:80 SHEET 6 OF 10

NAME	SIGNATURE	DATE	REVISION
DRAWN M.Rebase		03.09.2013	
APPV'D			

Tiptiptap OÜ
Veetorni 9,
Jüri alevik, Rae vald,
75301 Harjumaa

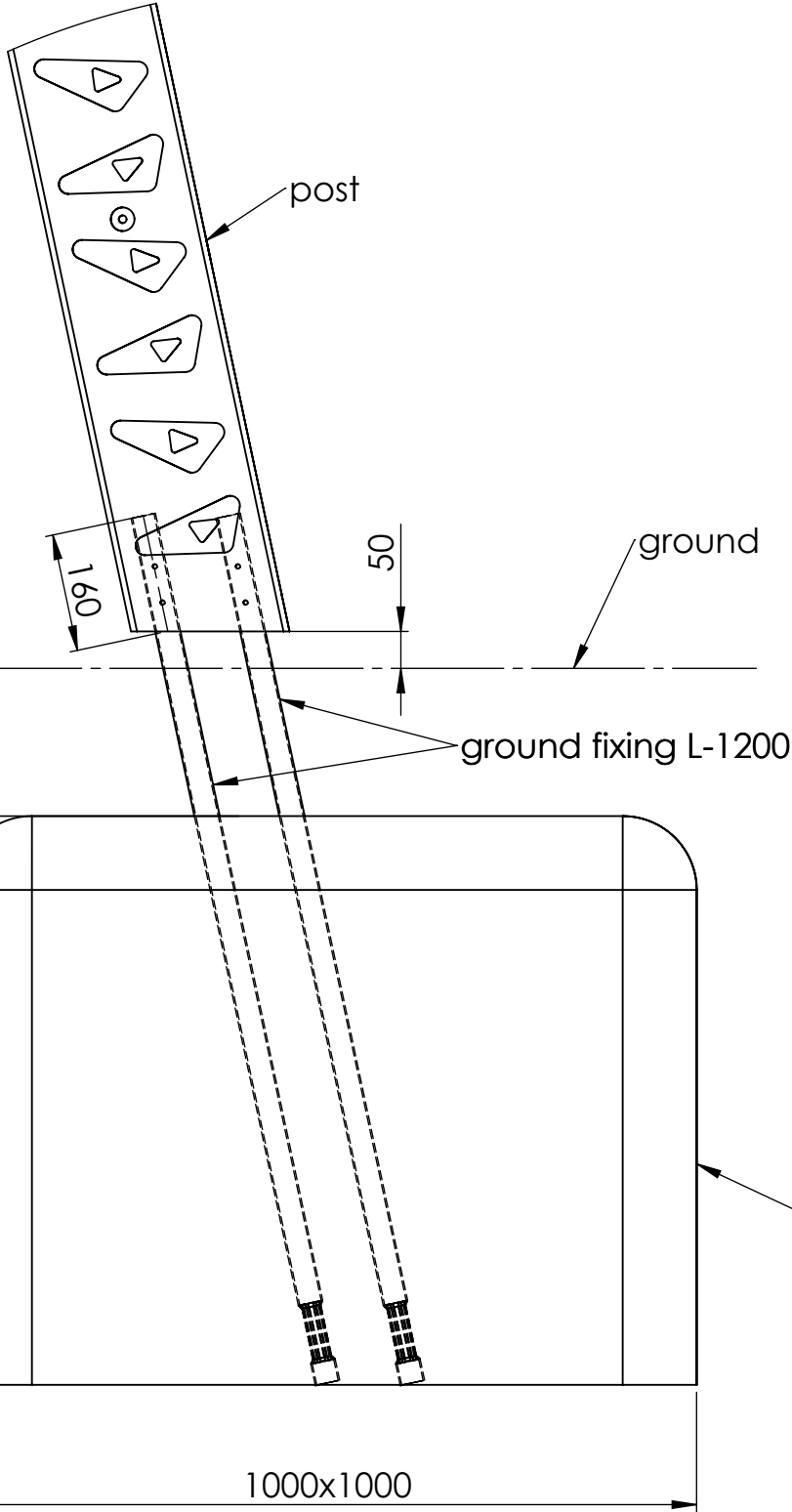
A

B

C

D

E



UNLESS OTHERWISE SPECIFIED:
 DIMENSIONS ARE IN MILLIMETERS
 WEIGHT ARE IN KILOGRAMM

PART NUMBER / DWG NO.:

AM007

	NAME	SIGNATURE	DATE	REVISION
DRAWN	M.Rebase		03.09.2013	
APPV'D				

DESCRIPTION:

AMAZON



Tiptaptap OÜ

Tiptaptap OÜ
 Veetorni 9,
 Jüri alevik, Rae vald,
 75301 Harjumaa

MATERIAL:

wood, metal, plastic

A4

WEIGHT:

SCALE: 1:10

SHEET 7 OF 10

A

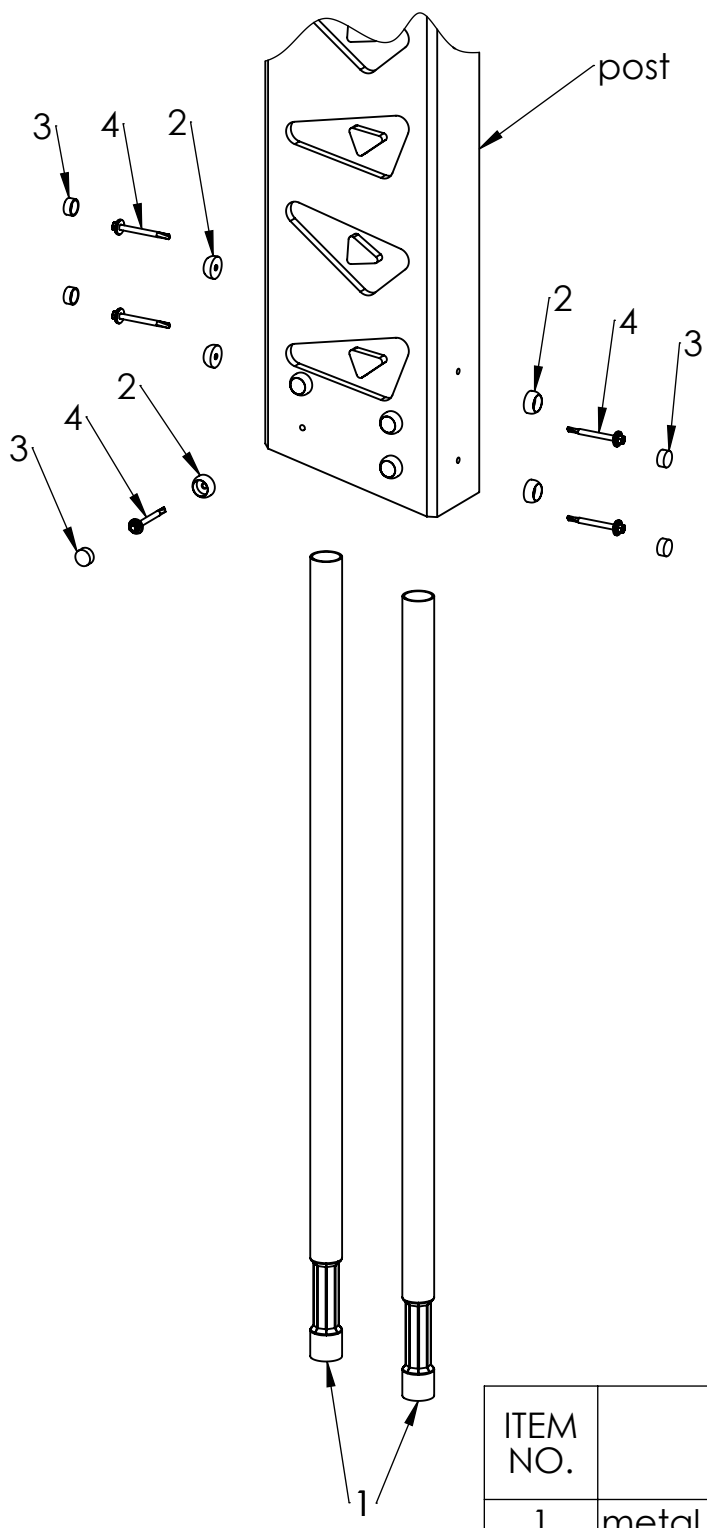
B

C

D

E

F



ITEM NO.	PART NUMBER
1	metal ground fixing
2	nut cover M6
3	nut cover cap M6
4	screw DIN7504K 5,5x68

UNLESS OTHERWISE SPECIFIED:
DIMENSIONS ARE IN MILLIMETERS
WEIGHT ARE IN KILOGRAMM

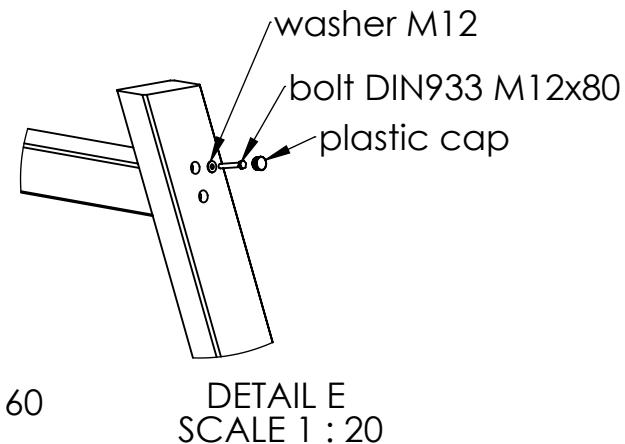
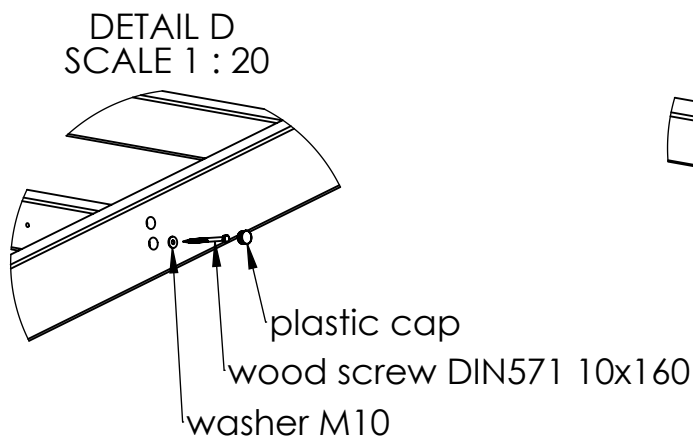
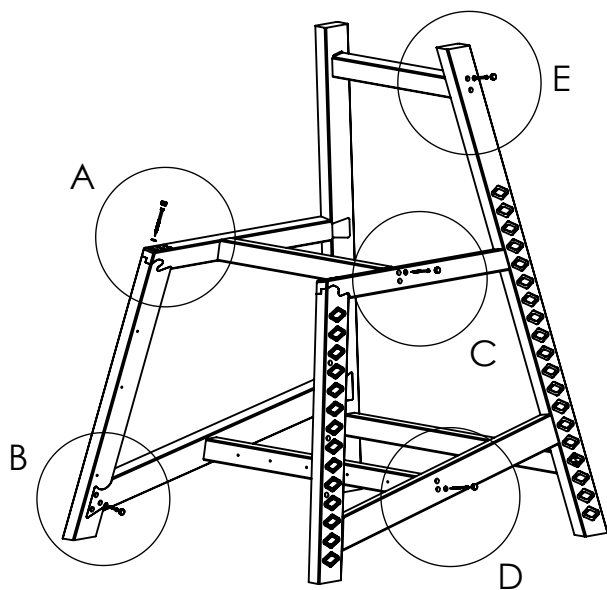
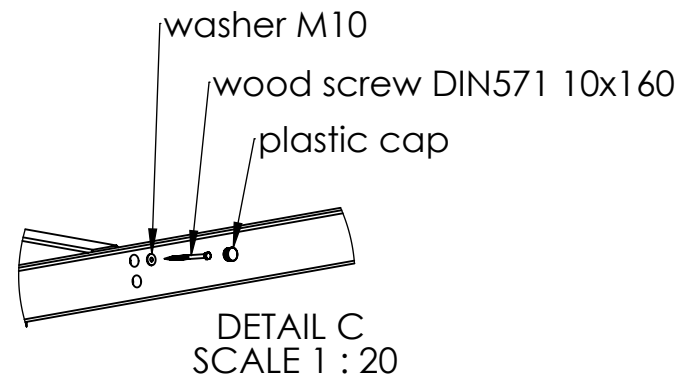
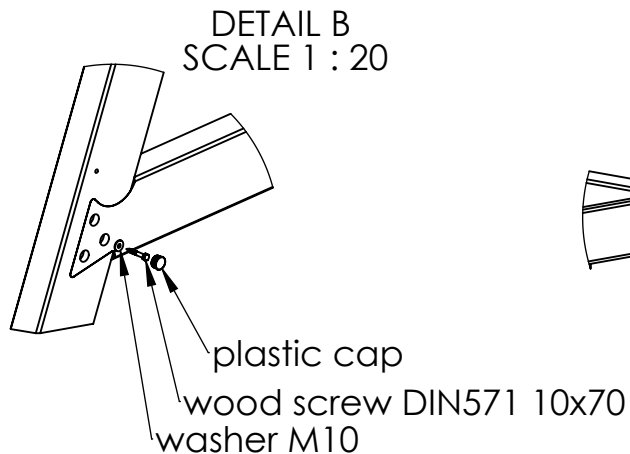
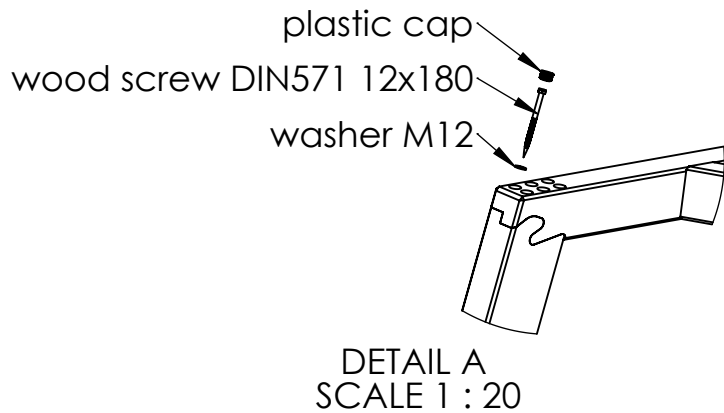
	NAME	SIGNATURE	DATE	REVISION
DRAWN	M.Rebase		03.09.2013	
APPV'D				

PART NUMBER / DWG NO.:	AM007
DESCRIPTION:	AMAZON



Tiptiptap OÜ
Veetorni 9,
Jüri alevik, Rae vald,
75301 Harjumaa

MATERIAL:	wood, metal, plastic	A4
WEIGHT:	SCALE: 1:8	SHEET 8 OF 10



UNLESS OTHERWISE SPECIFIED:
DIMENSIONS ARE IN MILLIMETERS
WEIGHT ARE IN KILOGRAMM

	NAME	SIGNATURE	DATE	REVISION
DRAWN	M.Rebase		03.09.2013	
APPV'D				

PART NUMBER / DWG NO.:

AM007

DESCRIPTION:

AMAZON

MATERIAL:

wood, metal, plastic

A4

WEIGHT:

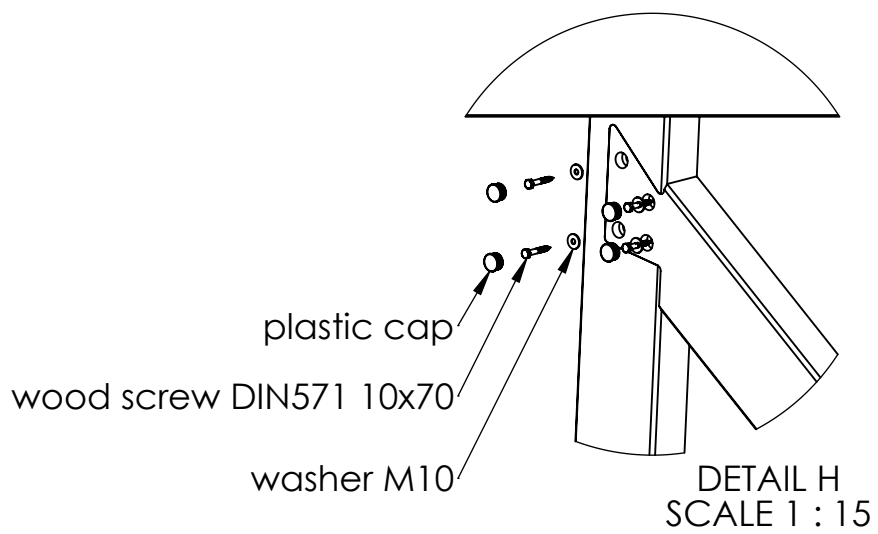
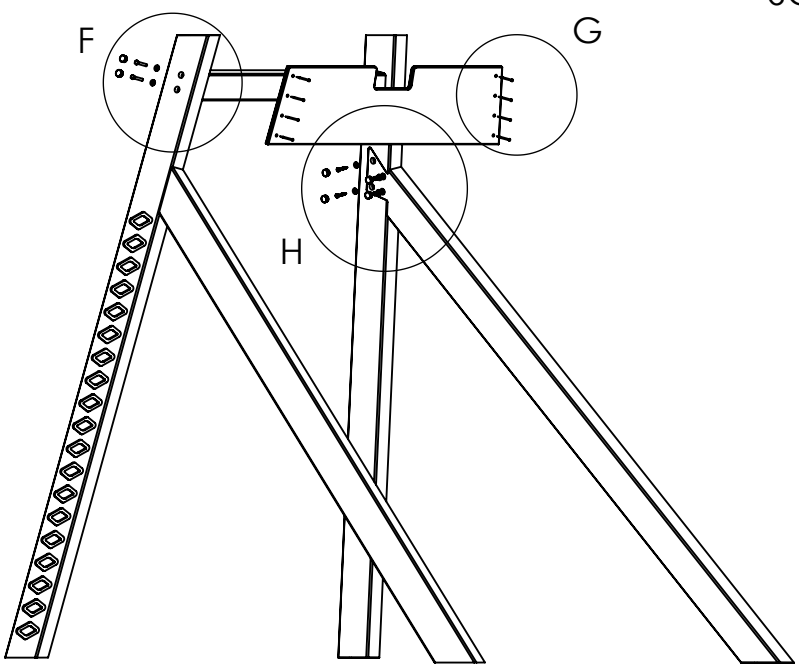
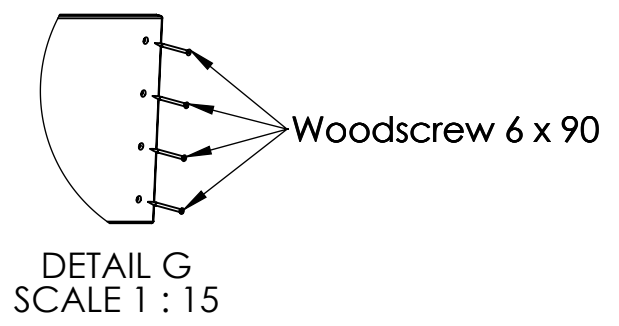
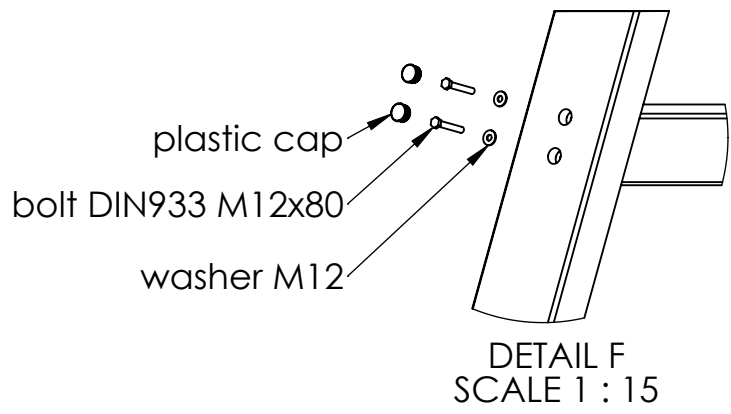
SCALE: 1:50

SHEET 9 OF 10



Tiptaptap OÜ

Tiptaptap OÜ
Veetorni 9,
Jüri alevik, Rae vald,
75301 Harjumaa



UNLESS OTHERWISE SPECIFIED:
DIMENSIONS ARE IN MILLIMETERS
WEIGHT ARE IN KILOGRAMM

PART NUMBER / DWG NO.:
AM007

	NAME	SIGNATURE	DATE	REVISION
DRAWN	M.Rebase		03.09.2013	
APPV'D				

DESCRIPTION:
AMAZON



Tiptaptap OÜ
Tiptaptap OÜ
Veetorni 9,
Jüri alevik, Rae vald,
75301 Harjumaa

MATERIAL: wood, metal, plastic

A4