

1

2

3

4

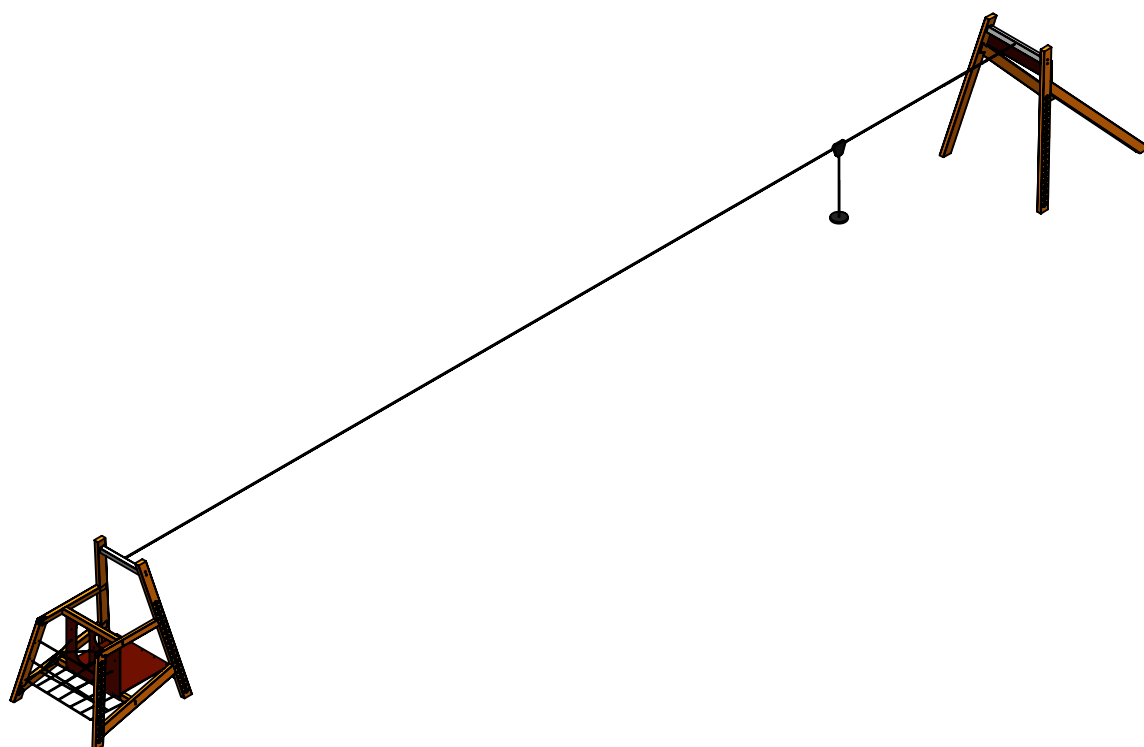
A

B

C

D

E



UNLESS OTHERWISE SPECIFIED:
DIMENSIONS ARE IN MILLIMETERS
WEIGHT ARE IN KILOGRAMM

PART NUMBER / DWG NO.:

AM007

| | NAME | SIGNATURE | DATE | REVISION |
|--------|----------|-----------|------------|----------|
| DRAWN | M.Rebase | | 06.08.2014 | |
| APPV'D | | | | |

DESCRIPTION:

AMAZON

F



Tiptaptap OÜ

Tiptaptap OÜ
Veetorni 9,
Jüri alevik, Rae vald,
75301 Harjumaa

MATERIAL:

wood, metal, plastic

A4

WEIGHT:

SCALE: 1:150

SHEET 1 OF 12

safety area

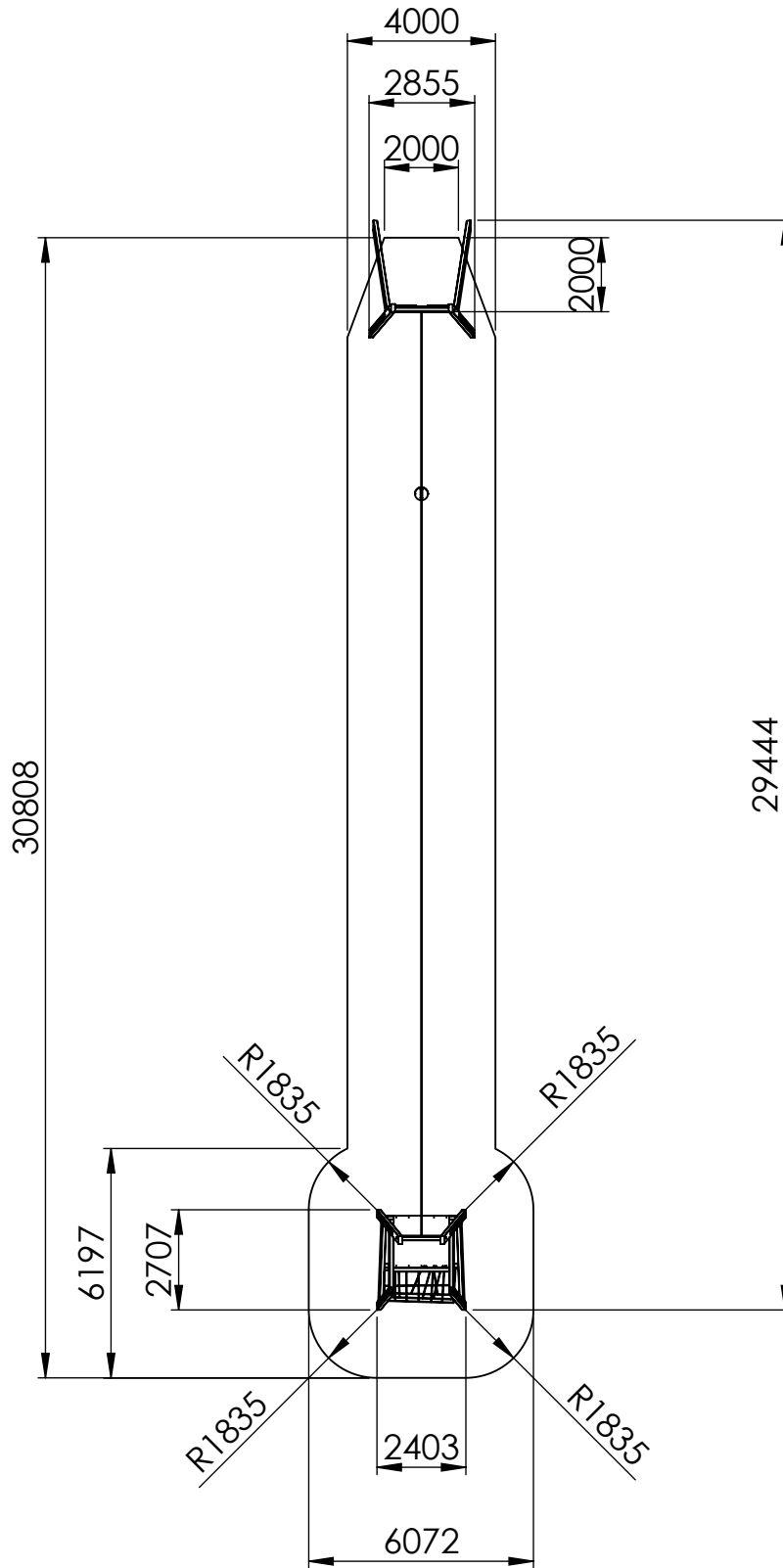
A

B

C

D

E



UNLESS OTHERWISE SPECIFIED:
DIMENSIONS ARE IN MILLIMETERS
WEIGHT ARE IN KILOGRAMM

PART NUMBER / DWG NO.:

AM007
safety area

| | NAME | SIGNATURE | DATE | REVISION |
|--------|----------|-----------|------------|----------|
| DRAWN | M.Rebase | | 06.08.2014 | |
| APPV'D | | | | |

DESCRIPTION:

AMAZON

F



Tiptap OÜ

Tiptap OÜ
Veetorni 9,
Jüri alevik, Rae vald,
75301 Harjumaa

MATERIAL:

wood, metal, plastic

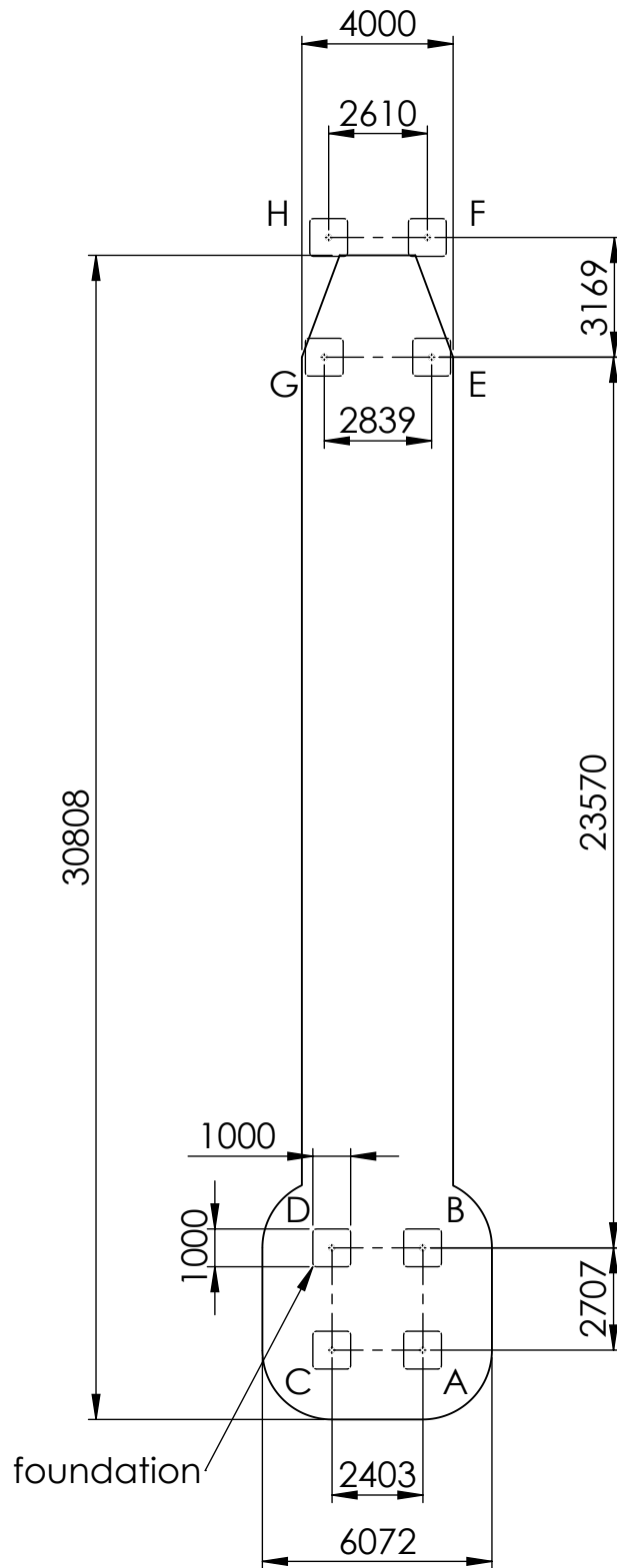
A4

WEIGHT:

SCALE: 1:200

SHEET 2 OF 12

foundation



depth of foundation 970mm

UNLESS OTHERWISE SPECIFIED:
DIMENSIONS ARE IN MILLIMETERS
WEIGHT ARE IN KILOGRAMM

PART NUMBER / DWG NO.:

AM007

| | NAME | SIGNATURE | DATE | REVISION |
|--------|----------|-----------|------------|----------|
| DRAWN | M.Rebase | | 06.08.2014 | |
| APPV'D | | | | |

DESCRIPTION:

AMAZON
foundation

MATERIAL:

wood, metal, plastic

A4

WEIGHT:

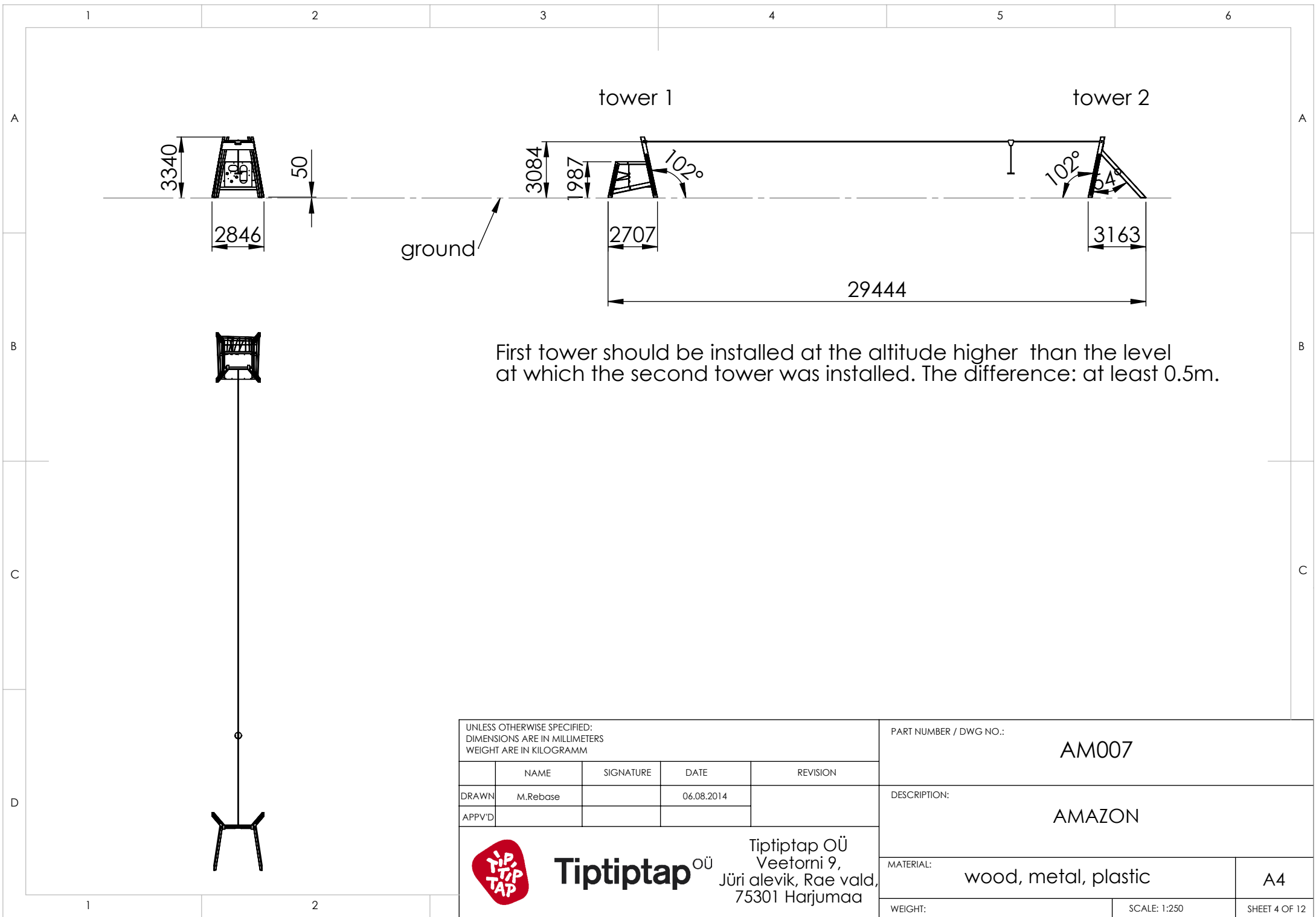
SCALE: 1:200

SHEET 3 OF 12




Tiptiptap OÜ

Tiptiptap OÜ
Veetorni 9,
Jüri alevik, Rae vald,
75301 Harjumaa



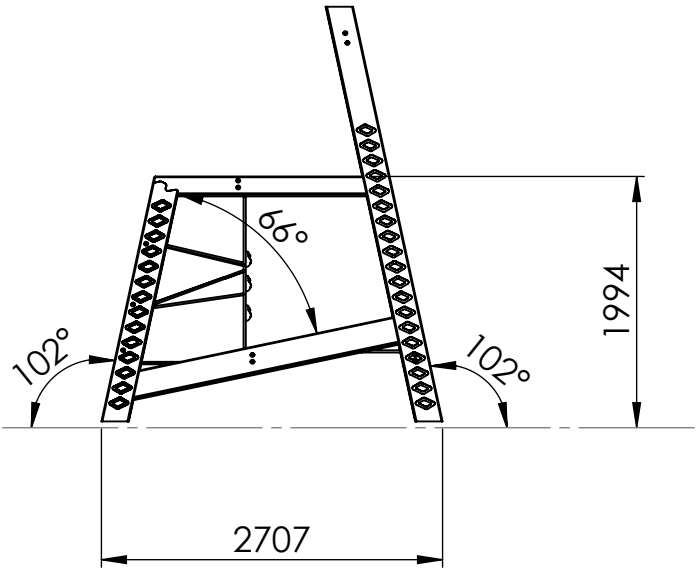
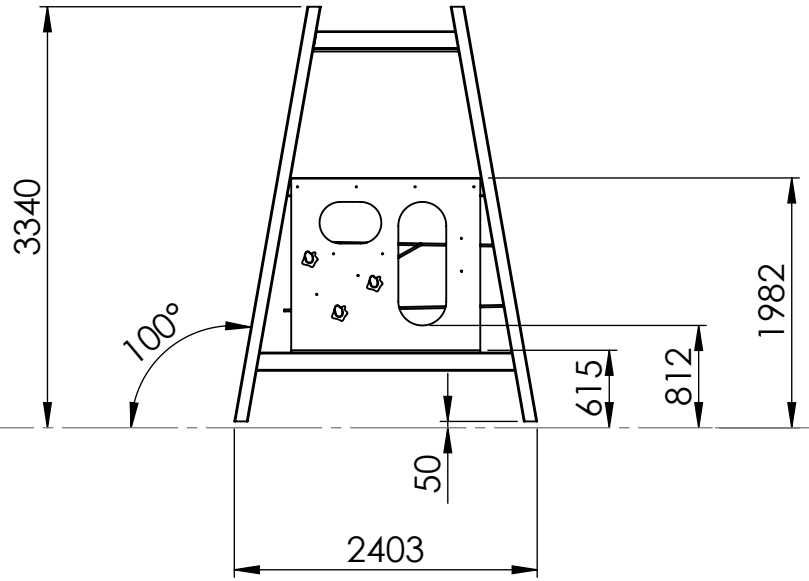
First tower should be installed at the altitude higher than the level at which the second tower was installed. The difference: at least 0.5m.

| | | | | | | |
|--|----------|-----------|------------|----------|--|----------------------|
| UNLESS OTHERWISE SPECIFIED: DIMENSIONS ARE IN MILLIMETERS WEIGHT ARE IN KILOGRAMM | | | | | PART NUMBER / DWG NO.: AM007 | |
| | NAME | SIGNATURE | DATE | REVISION | DESCRIPTION: AMAZON | |
| DRAWN | M.Rebase | | 06.08.2014 | | | |
| APPV'D | | | | | | |
|  Tiptiptap OÜ Tiptiptap OÜ Veetorni 9, Jüri alevik, Rae vald, 75301 Harjumaa | | | | | MATERIAL: | wood, metal, plastic |
| | | | | | WEIGHT: | A4 |
| | | | | | SCALE: 1:250 | SHEET 4 OF 12 |

1 2 3 4 5 6

A

A



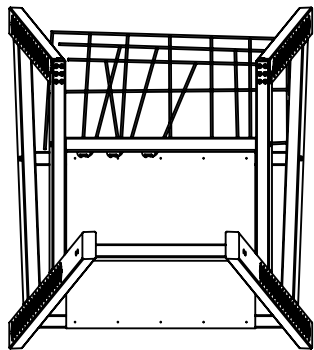
ground

B

B

C

C



D

UNLESS OTHERWISE SPECIFIED:
DIMENSIONS ARE IN MILLIMETERS
WEIGHT ARE IN KILOGRAMM

PART NUMBER / DWG NO.:
AM007

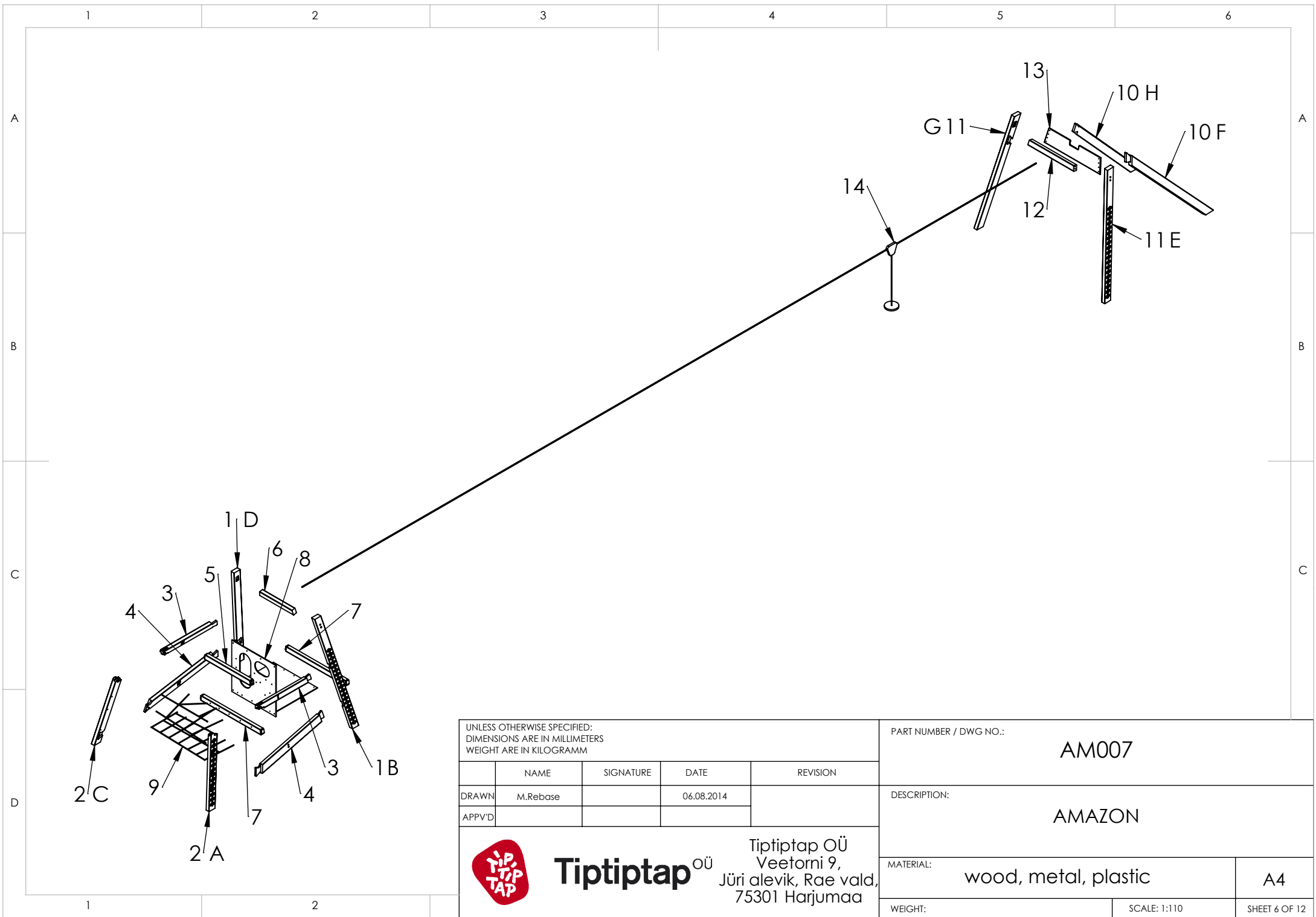
| | NAME | SIGNATURE | DATE | REVISION |
|--------|----------|-----------|------------|----------|
| DRAWN | M.Rebase | | 06.08.2014 | |
| APPV'D | | | | |

DESCRIPTION:
AMAZON

 **Tiptaptap** OÜ
Veetorni 9,
Jüri alevik, Rae vald,
75301 Harjumaa

| | | |
|-----------|----------------------|---------------|
| MATERIAL: | wood, metal, plastic | A4 |
| WEIGHT: | | SCALE: 1:60 |
| | | SHEET 5 OF 12 |

1 2



UNLESS OTHERWISE SPECIFIED:
 DIMENSIONS ARE IN MILLIMETERS
 WEIGHT ARE IN KILOGRAMM

PART NUMBER / DWG NO.:
AM007

| | NAME | SIGNATURE | DATE | REVISION |
|--------|----------|-----------|------------|----------|
| DRAWN | M.Rebase | | 06.08.2014 | |
| APPV'D | | | | |

DESCRIPTION:
AMAZON




Tiptiptap OÜ
 Tiptiptap OÜ
 Veetorni 9,
 Jüri alevik, Rae vald,
 75301 Harjumaa

| | | |
|-----------|----------------------|---------------|
| MATERIAL: | wood, metal, plastic | A4 |
| WEIGHT: | | SCALE: 1:110 |
| | | SHEET 6 OF 12 |

| ITEM NO. | PART NUMBER | DESCRIPTION | QTY. |
|----------|-----------------------------|-----------------------|------|
| 1 | post 105x210x3460 (tower 1) | laminated wood | 2 |
| 2 | post 105x210x1980 (tower 1) | laminated wood | 2 |
| 3 | post 105x145x1870 (tower 1) | laminated wood | 2 |
| 4 | post 105x210x2455 (tower 1) | laminated wood | 2 |
| 5 | beam 105x145x1610 (tower 1) | laminated wood | 1 |
| 6 | beam 80x140x1210 (tower 1) | galvanized steel | 1 |
| 7 | post 105x145x2095 (tower 1) | laminated wood | 2 |
| 8 | platform with climbing wall | plywood, wood | 1 |
| 9 | climbing net | PP covered steel wire | 1 |
| 10 | post 105x210x3540 (tower 2) | laminated wood | 2 |
| 11 | post 105x210x3460 (tower 2) | laminated wood | 2 |
| 12 | beam 80x140x1619 (tower 2) | galvanized steel | 1 |
| 13 | fixing panel | plywood | 1 |
| 14 | steel cable with seat | steel, rubber | 1 |



| | | | | | |
|--|----------|-----------|------------|--|----------------------|
| UNLESS OTHERWISE SPECIFIED: DIMENSIONS ARE IN MILLIMETERS WEIGHT ARE IN KILOGRAMM | | | | PART NUMBER / DWG NO.: AM007 | |
| | NAME | SIGNATURE | DATE | REVISION | |
| DRAWN | M.Rebase | | 06.08.2014 | | |
| APPV'D | | | | | |
|  Tiptiptap OÜ Tiptiptap OÜ Veetorni 9, Jüri alevik, Rae vald, 75301 Harjumaa | | | | DESCRIPTION: AMAZON | |
| | | | | MATERIAL: | wood, metal, plastic |
| WEIGHT: | | | | SCALE: 1:10 | SHEET 7 OF 12 |

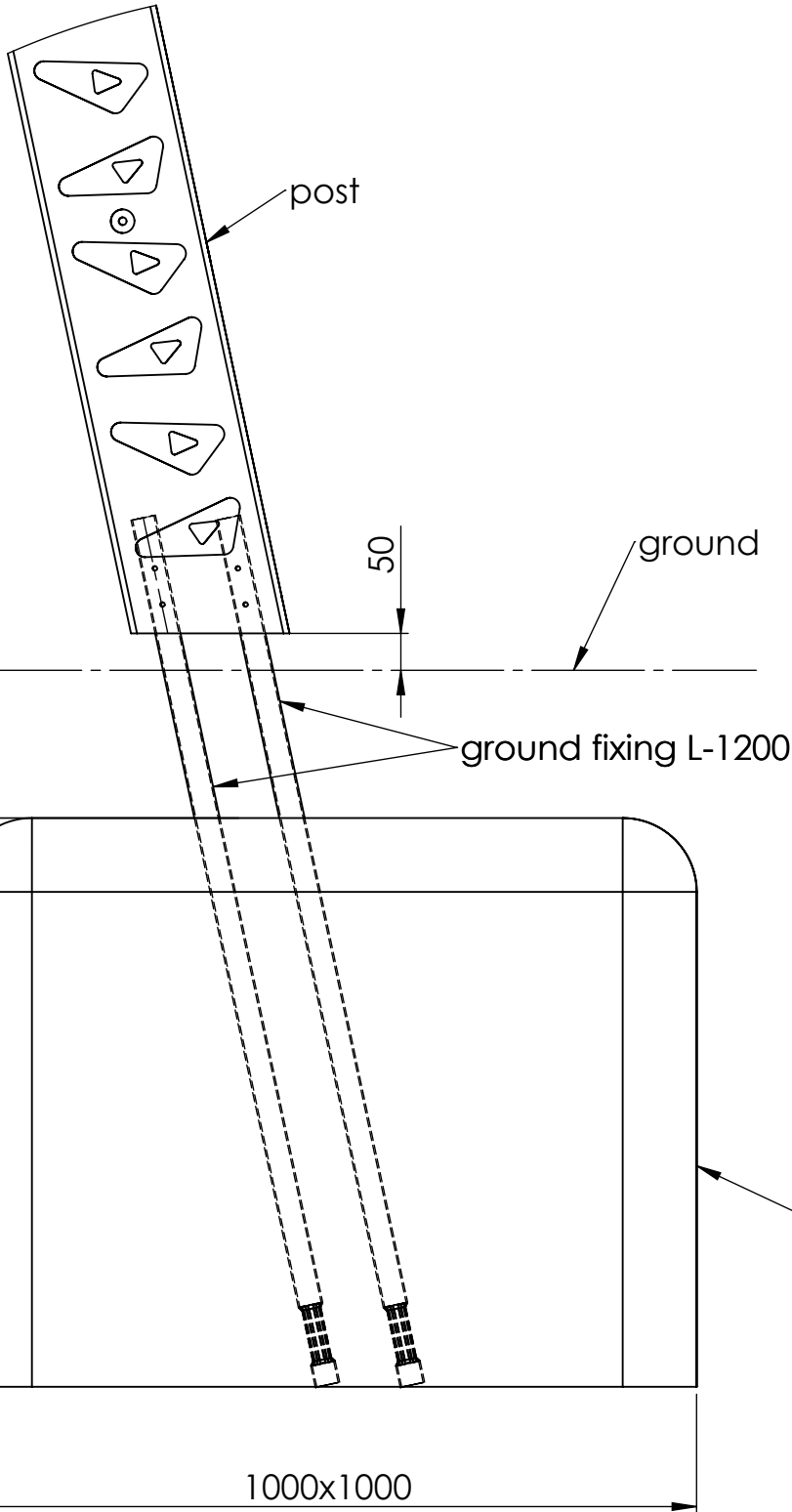
A

B

C

D

E



UNLESS OTHERWISE SPECIFIED:
 DIMENSIONS ARE IN MILLIMETERS
 WEIGHT ARE IN KILOGRAMM

PART NUMBER / DWG NO.:

AM007

| | NAME | SIGNATURE | DATE | REVISION |
|--------|----------|-----------|------------|----------|
| DRAWN | M.Rebase | | 06.08.2014 | |
| APPV'D | | | | |

DESCRIPTION:

AMAZON



Tiptaptap OÜ

Tiptaptap OÜ
 Veetorni 9,
 Jüri alevik, Rae vald,
 75301 Harjumaa

MATERIAL:

wood, metal, plastic

A4

WEIGHT:

SCALE: 1:10

SHEET 8 OF 12

A

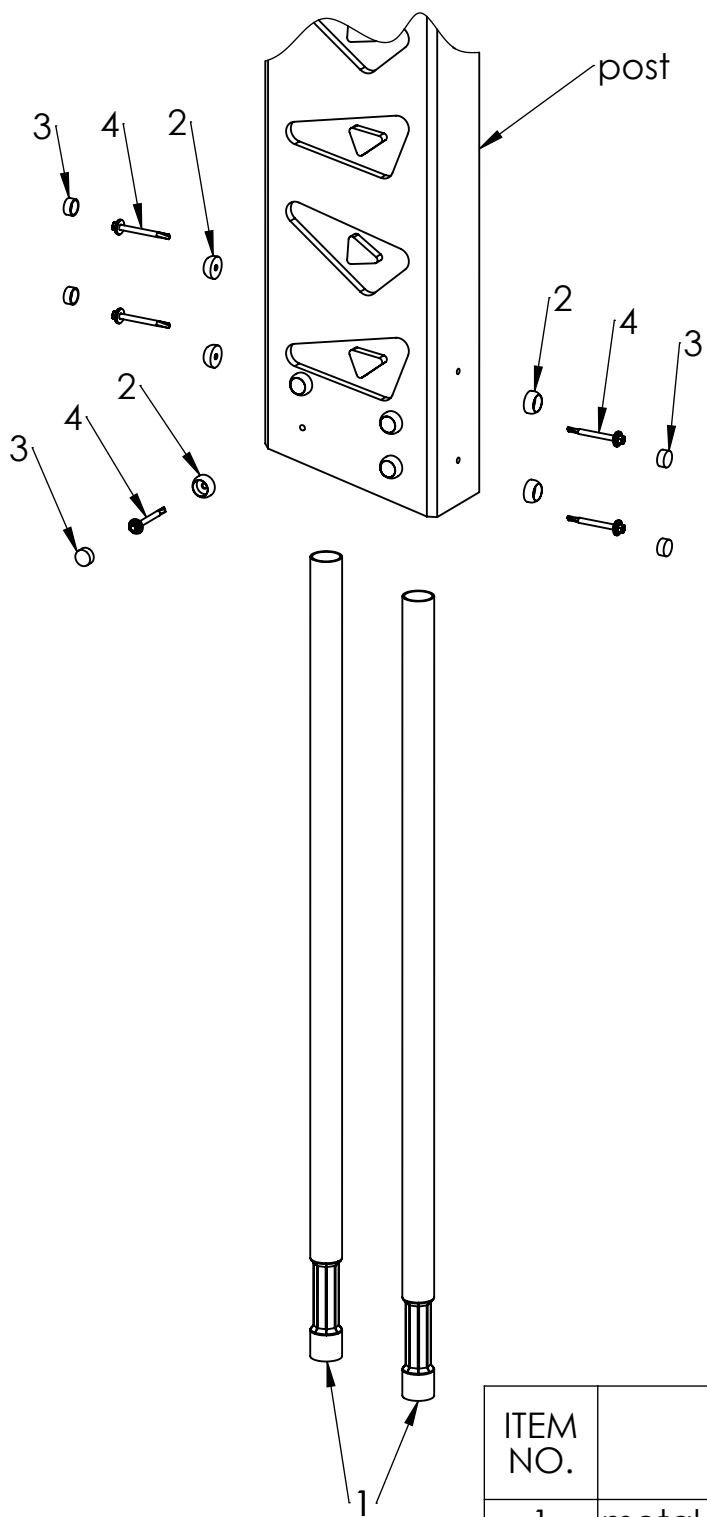
B

C

D

E

F



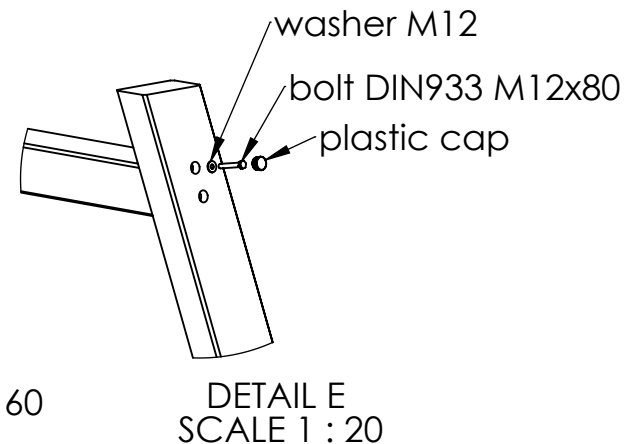
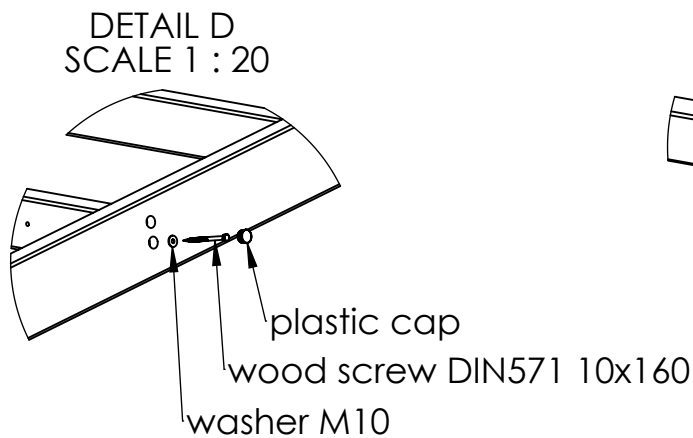
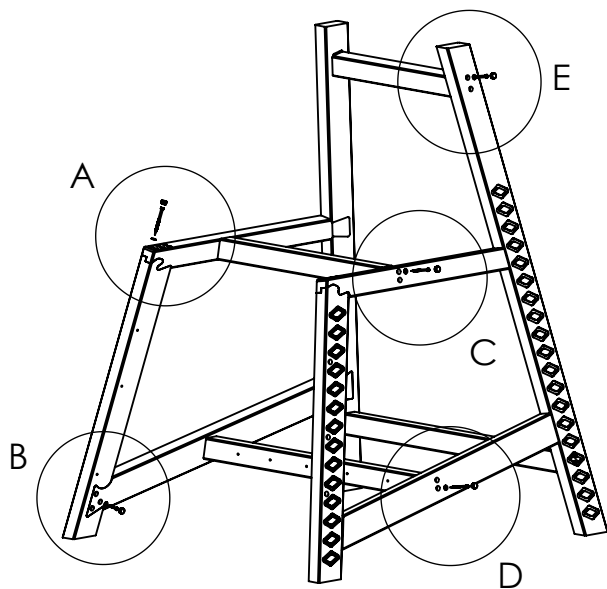
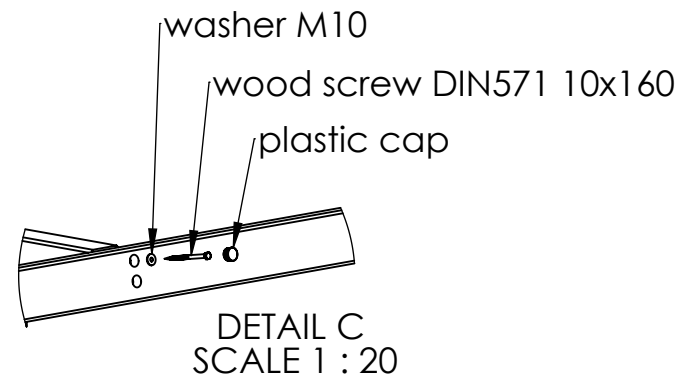
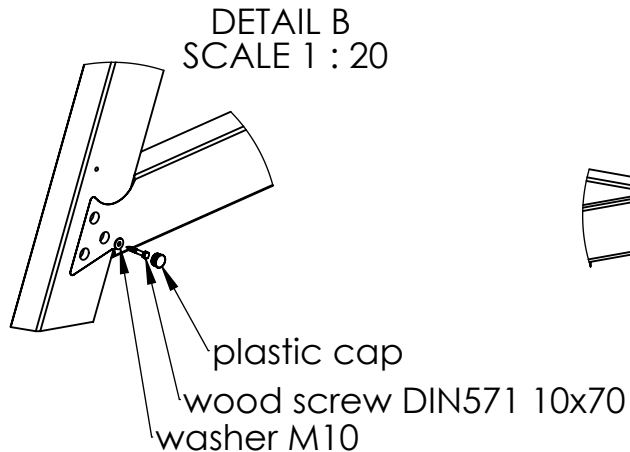
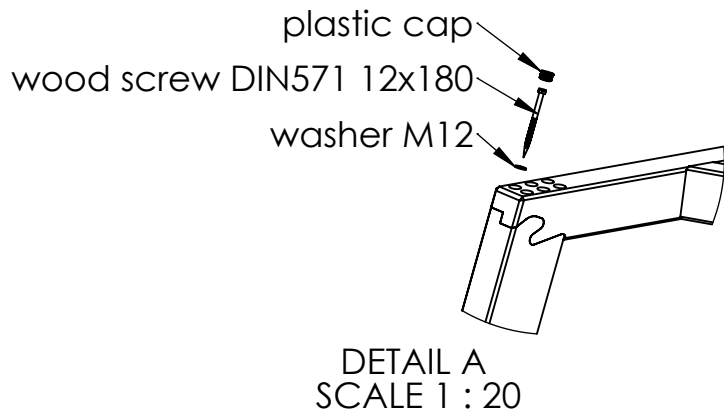
| ITEM NO. | PART NUMBER |
|----------|-----------------------|
| 1 | metal ground fixing |
| 2 | nut cover M6 |
| 3 | nut cover cap M6 |
| 4 | screw DIN7504K 5,5x68 |

| | | | | |
|---|----------|-----------|------------|----------|
| UNLESS OTHERWISE SPECIFIED: DIMENSIONS ARE IN MILLIMETERS WEIGHT ARE IN KILOGRAMM | | | | |
| | NAME | SIGNATURE | DATE | REVISION |
| DRAWN | M.Rebase | | 06.08.2014 | |
| APPV'D | | | | |

| | |
|------------------------|--------|
| PART NUMBER / DWG NO.: | AM007 |
| DESCRIPTION: | AMAZON |


Tiptaptap OÜ
 Veetorni 9,
 Jüri alevik, Rae vald,
 75301 Harjumaa

| | | |
|-----------|----------------------|---------------|
| MATERIAL: | wood, metal, plastic | A4 |
| WEIGHT: | SCALE: 1:8 | SHEET 9 OF 12 |



UNLESS OTHERWISE SPECIFIED:
DIMENSIONS ARE IN MILLIMETERS
WEIGHT ARE IN KILOGRAMM

| | NAME | SIGNATURE | DATE | REVISION |
|--------|----------|-----------|------------|----------|
| DRAWN | M.Rebase | | 06.08.2014 | |
| APPV'D | | | | |

PART NUMBER / DWG NO.:

AM007

DESCRIPTION:

AMAZON

MATERIAL:

wood, metal, plastic

A4

WEIGHT:

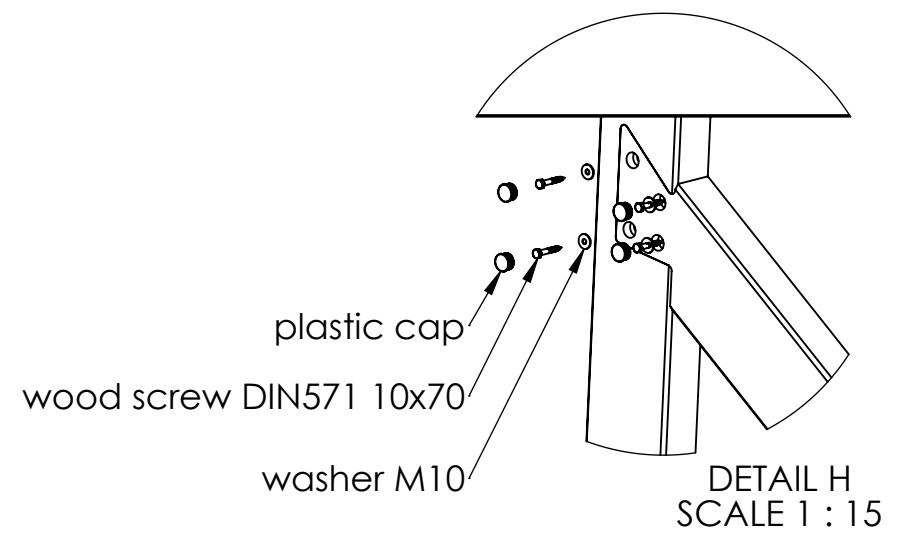
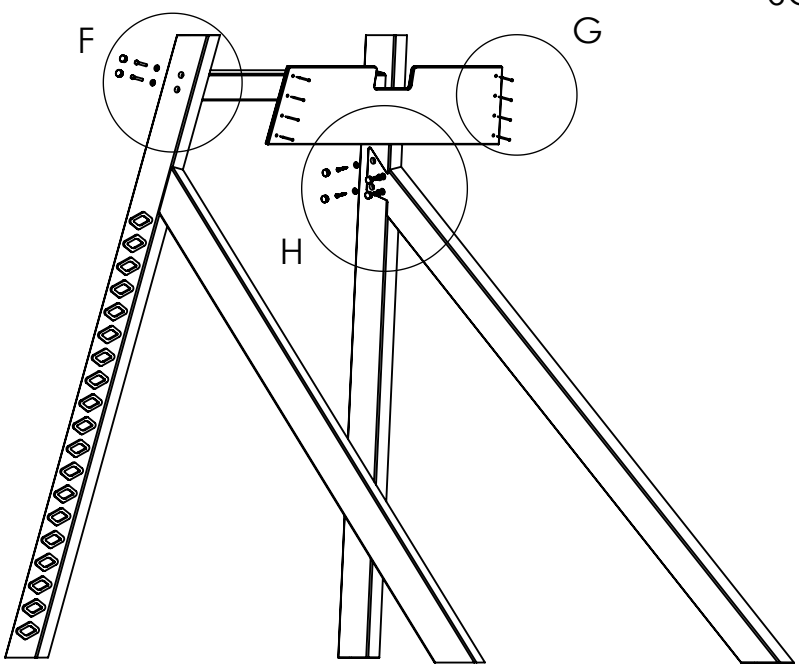
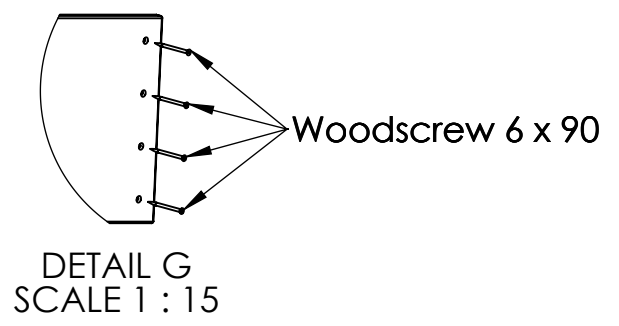
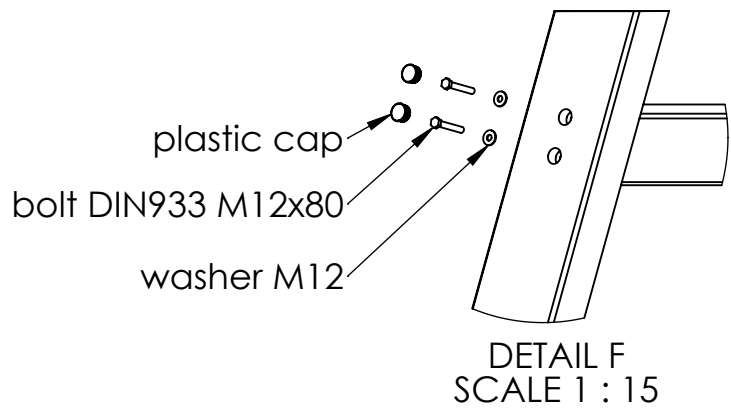
SCALE: 1:50

SHEET 10 OF 12



Tiptaptap OÜ

Tiptaptap OÜ
Veetorni 9,
Jüri alevik, Rae vald,
75301 Harjumaa



UNLESS OTHERWISE SPECIFIED:
DIMENSIONS ARE IN MILLIMETERS
WEIGHT ARE IN KILOGRAMM

| | NAME | SIGNATURE | DATE | REVISION |
|--------|----------|-----------|------------|----------|
| DRAWN | M.Rebase | | 06.08.2014 | |
| APPV'D | | | | |

PART NUMBER / DWG NO.:
AM007

DESCRIPTION:
AMAZON

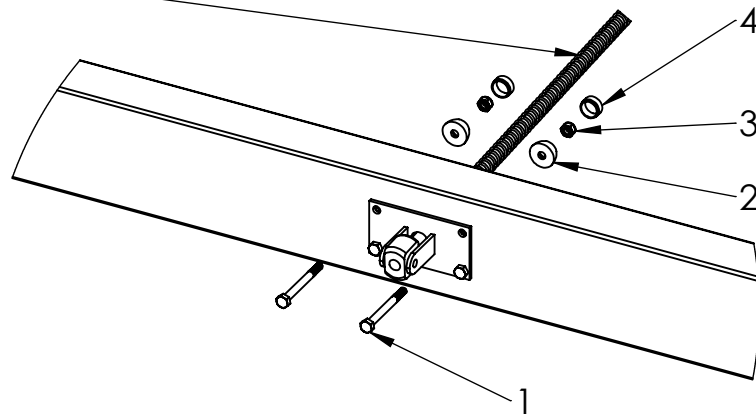


Tiptaptap OÜ
Tiptaptap OÜ
Veetorni 9,
Jüri alevik, Rae vald,
75301 Harjumaa

| | | |
|-----------|----------------------|----------------|
| MATERIAL: | wood, metal, plastic | A4 |
| WEIGHT: | SCALE: 1:40 | SHEET 11 OF 12 |

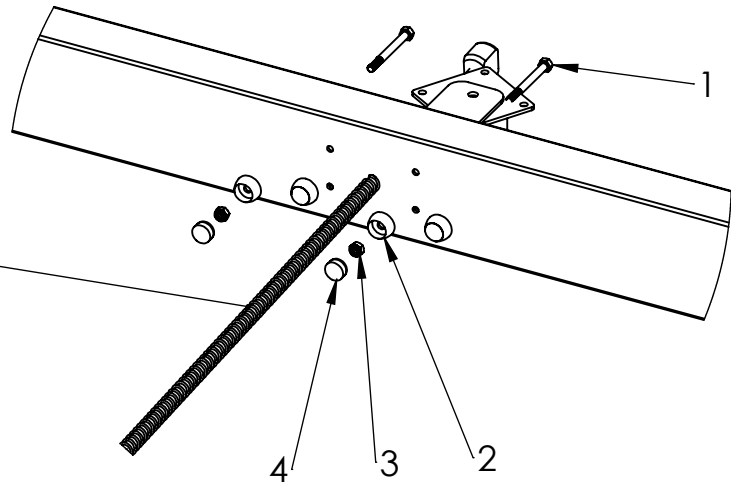
Connecting starting section

starting section
spring limiter



Connecting run-out section

run-out section
spring limiter



| ITEM NO. | PART NUMBER |
|----------|---------------------|
| 1 | bolt DIN931 M10x100 |
| 2 | nut cover M10 |
| 3 | nut DIN985 M10 |
| 4 | nut cover cap M10 |

UNLESS OTHERWISE SPECIFIED:
DIMENSIONS ARE IN MILLIMETERS
WEIGHT ARE IN KILOGRAMM

PART NUMBER / DWG NO.:

AM007

| | NAME | SIGNATURE | DATE | REVISION |
|--------|----------|-----------|------------|----------|
| DRAWN | M.Rebase | | 06.08.2014 | |
| APPV'D | | | | |

DESCRIPTION:

AMAZON



Tiptiptap OÜ

Tiptiptap OÜ
Veetorni 9,
Jüri alevik, Rae vald,
75301 Harjumaa

MATERIAL:

wood, metal, plastic

A4

WEIGHT:

SCALE: 1:40

SHEET 12 OF 12