

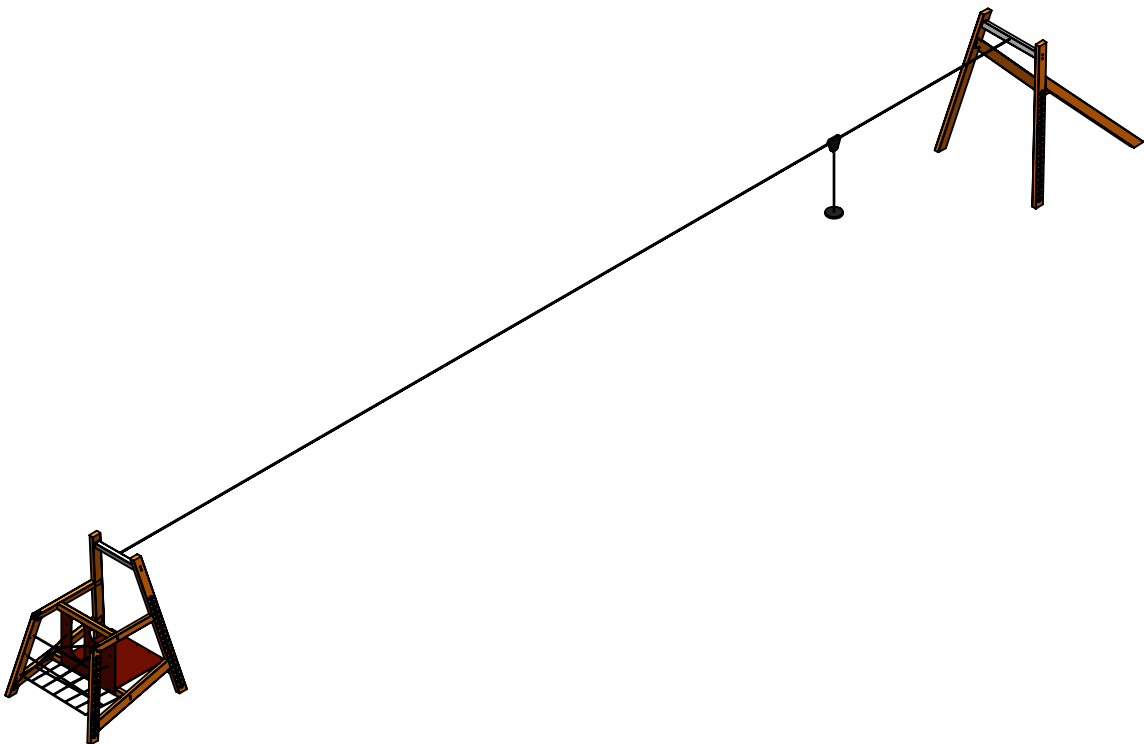
A

B

C

D

E



UNLESS OTHERWISE SPECIFIED:
 DIMENSIONS ARE IN MILLIMETERS
 WEIGHT ARE IN KILOGRAMM

PART NUMBER / DWG NO.:

AM007

	NAME	SIGNATURE	DATE	REVISION
DRAWN	M.Rebase		03.09.2013	
APPV'D				

DESCRIPTION:

AMAZON

F



Tiptaptap OÜ

Tiptaptap OÜ
 Veetorni 9,
 Jüri alevik, Rae vald,
 75301 Harjumaa

MATERIAL:

wood, metal, plastic

A4

WEIGHT:

SCALE: 1:150

SHEET 1 OF 9

safety area

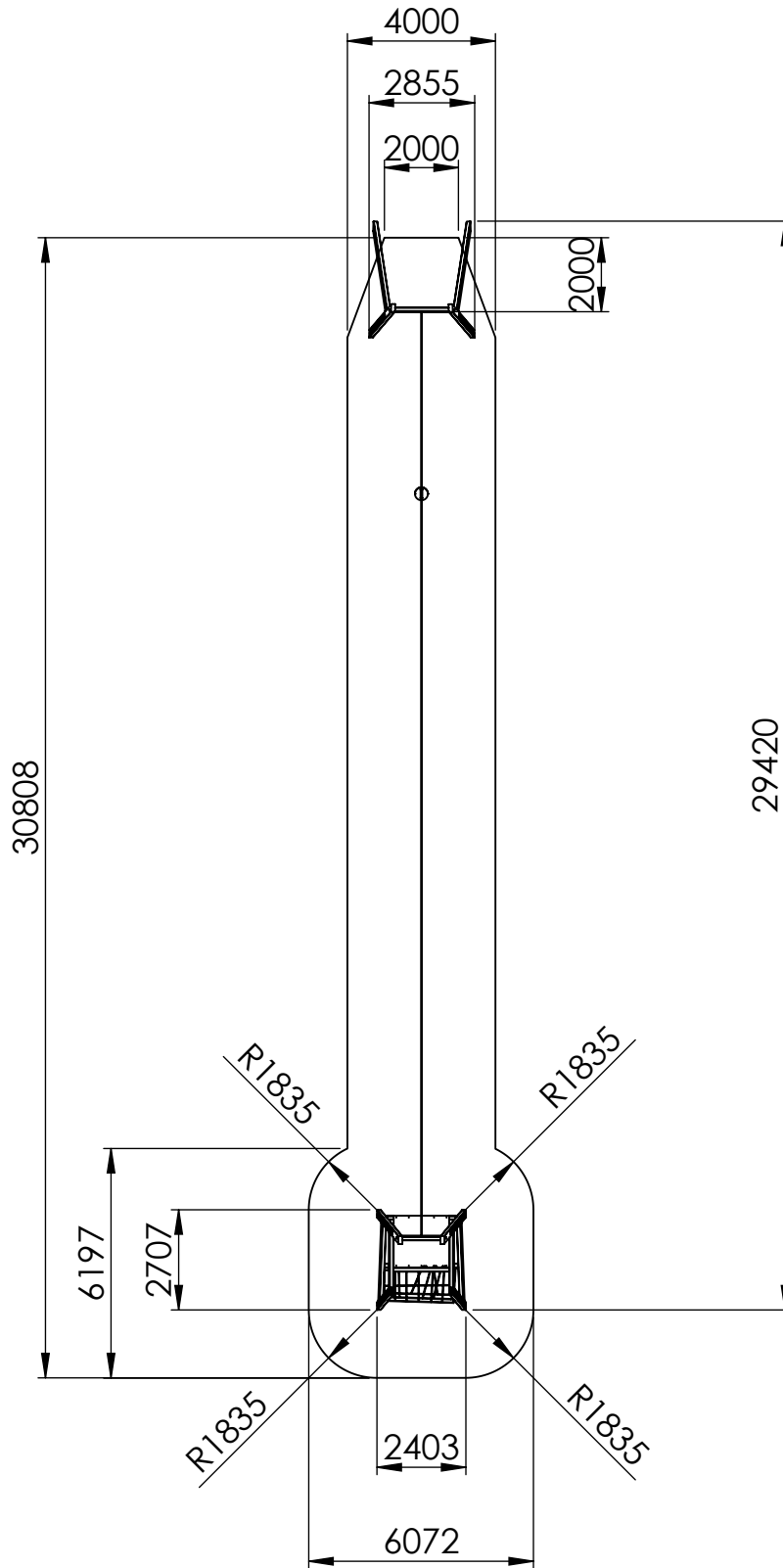
A

B

C

D

E



UNLESS OTHERWISE SPECIFIED:
DIMENSIONS ARE IN MILLIMETERS
WEIGHT ARE IN KILOGRAMM

PART NUMBER / DWG NO.:

AM007
safety area

	NAME	SIGNATURE	DATE	REVISION
DRAWN	M.Rebase		03.09.2013	
APP'VD				

DESCRIPTION:

AMAZON

F



Tiptaptap OÜ

Tiptaptap OÜ
Veetorni 9,
Jüri alevik, Rae vald,
75301 Harjumaa

MATERIAL:

wood, metal, plastic

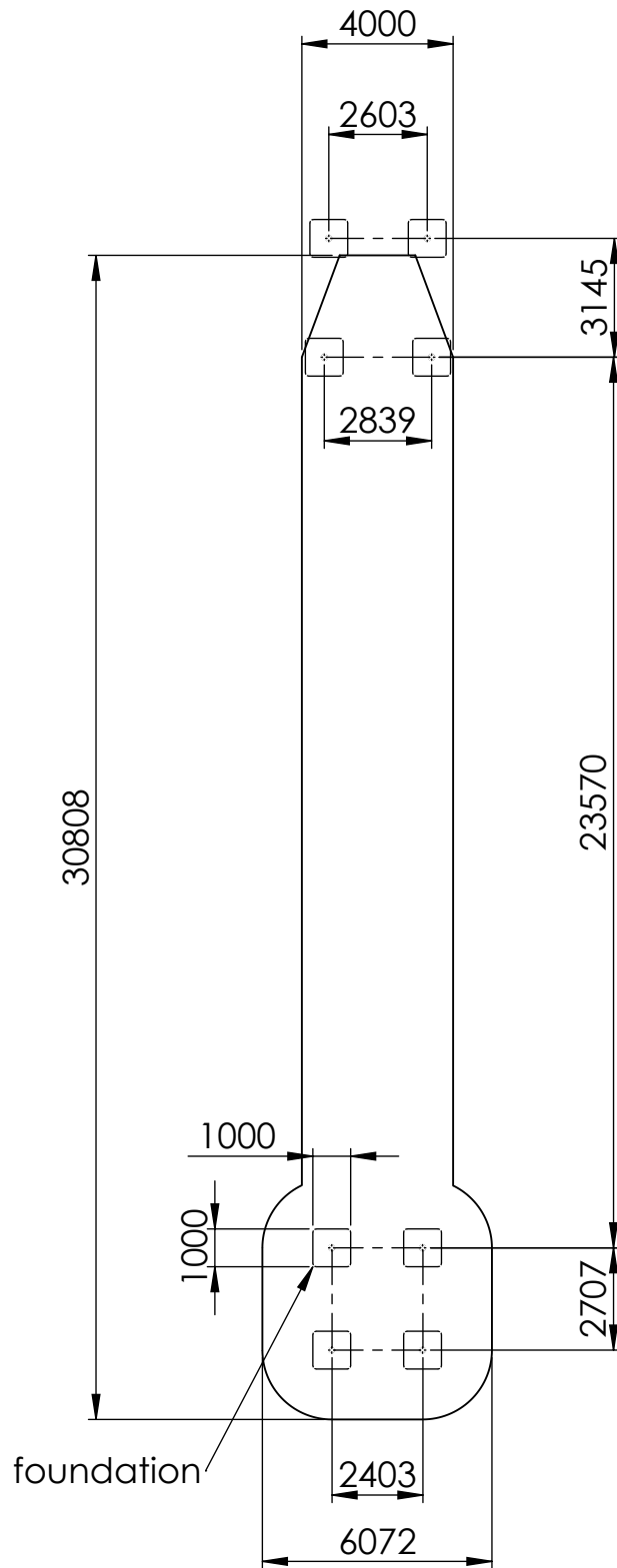
A4

WEIGHT:

SCALE: 1:200

SHEET 2 OF 9

foundation



depth of foundation 700mm

UNLESS OTHERWISE SPECIFIED:
DIMENSIONS ARE IN MILLIMETERS
WEIGHT ARE IN KILOGRAMM

PART NUMBER / DWG NO.:

AM007

	NAME	SIGNATURE	DATE	REVISION
DRAWN	M.Rebase		03.09.2013	
APPV'D				

DESCRIPTION:

AMAZON
foundation



Tiptap OÜ

Tiptap OÜ
Veetorni 9,
Jüri alevik, Rae vald,
75301 Harjumaa

MATERIAL:

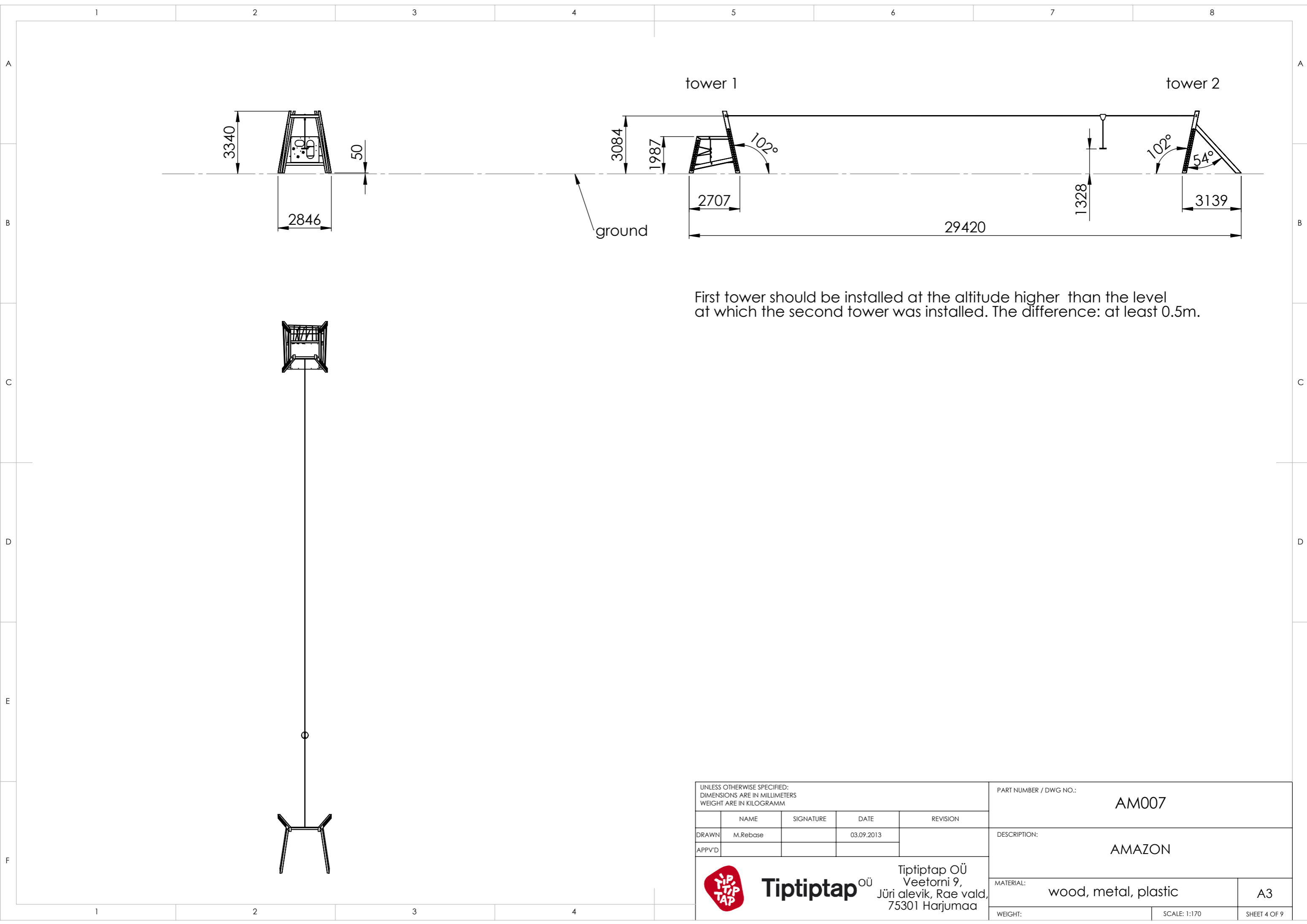
wood, metal, plastic

A4


WEIGHT:

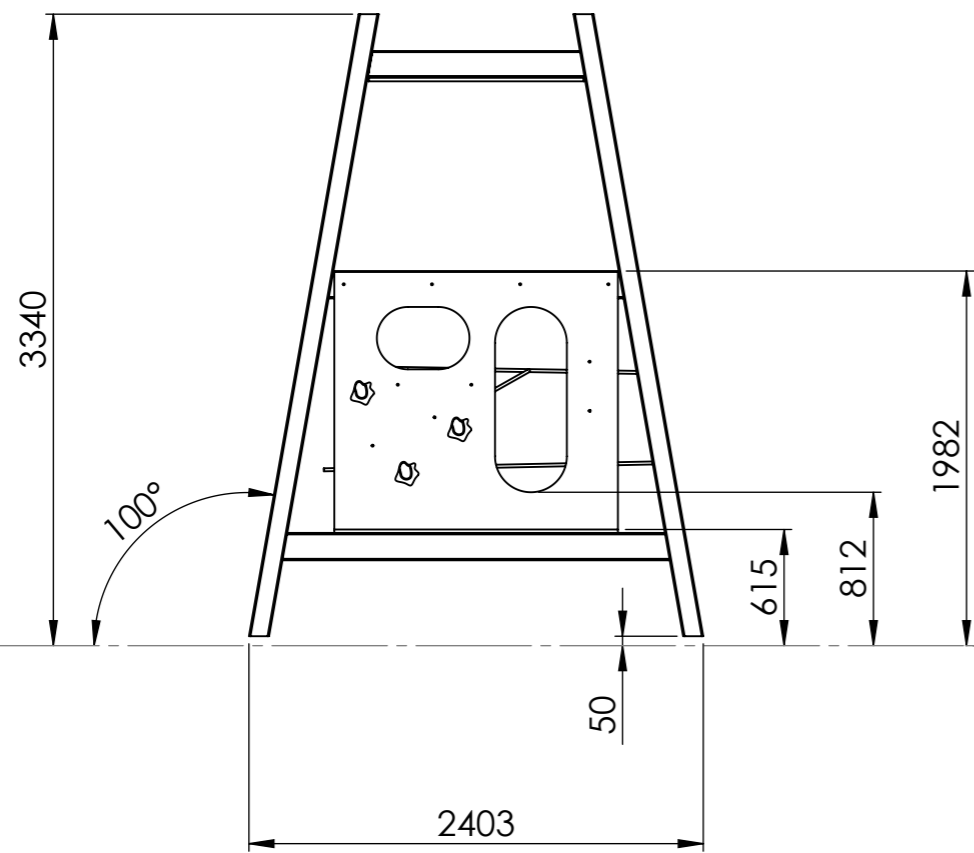
SCALE: 1:200

SHEET 3 OF 9

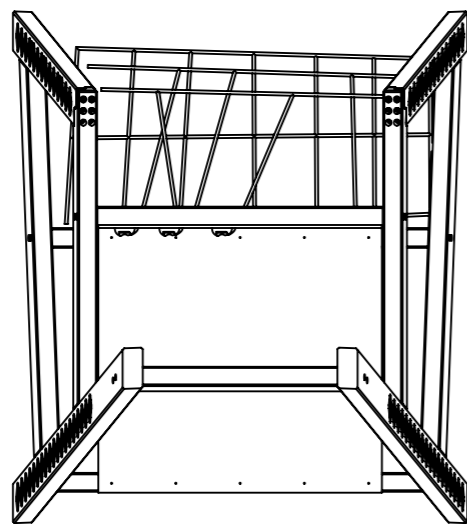
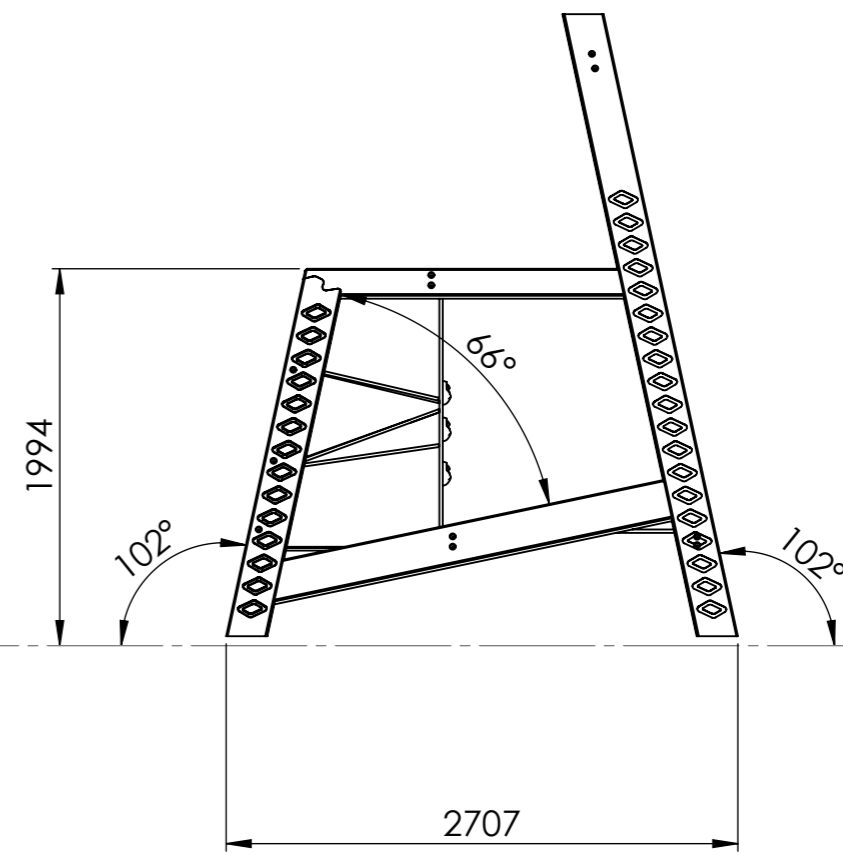



First tower should be installed at the altitude higher than the level at which the second tower was installed. The difference: at least 0.5m.

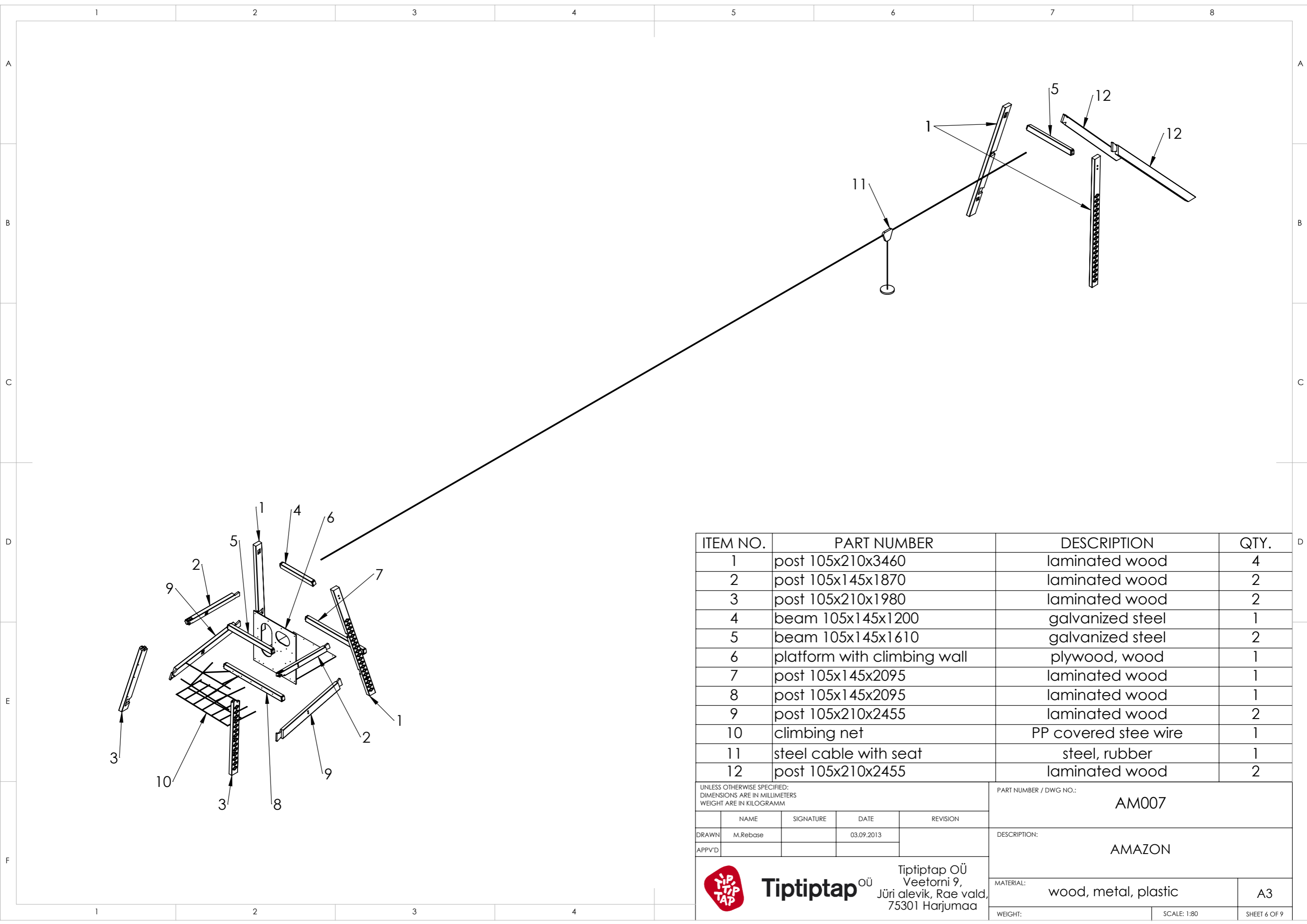
UNLESS OTHERWISE SPECIFIED: DIMENSIONS ARE IN MILLIMETERS WEIGHT ARE IN KILOGRAMM				PART NUMBER / DWG NO.:		AM007	
	NAME	SIGNATURE	DATE	REVISION	DESCRIPTION:		
DRAWN	M.Rebase		03.09.2013		AMAZON		
APPV'D					MATERIAL:	wood, metal, plastic	A3
 Tiptaptap OÜ Veetorni 9, Jüri alevik, Rae vald, 75301 Harjumaa				WEIGHT:	SCALE: 1:170	SHEET 4 OF 9	



ground



UNLESS OTHERWISE SPECIFIED: DIMENSIONS ARE IN MILLIMETERS WEIGHT ARE IN KILOGRAMM					PART NUMBER / DWG NO.:		AM007	
	NAME	SIGNATURE	DATE	REVISION	DESCRIPTION:			
DRAWN	M.Rebase		03.09.2013		AMAZON			
APPV'D					MATERIAL:		wood, metal, plastic	
 Tiptap OÜ Tiptap OÜ Veetorni 9, Jüri alevik, Rae vald, 75301 Harjumaa					WEIGHT:		SCALE: 1:40	
							SHEET 5 OF 9	



ITEM NO.	PART NUMBER	DESCRIPTION	QTY.
1	post 105x210x3460	laminated wood	4
2	post 105x145x1870	laminated wood	2
3	post 105x210x1980	laminated wood	2
4	beam 105x145x1200	galvanized steel	1
5	beam 105x145x1610	galvanized steel	2
6	platform with climbing wall	plywood, wood	1
7	post 105x145x2095	laminated wood	1
8	post 105x145x2095	laminated wood	1
9	post 105x210x2455	laminated wood	2
10	climbing net	PP covered steel wire	1
11	steel cable with seat	steel, rubber	1
12	post 105x210x2455	laminated wood	2

UNLESS OTHERWISE SPECIFIED:
DIMENSIONS ARE IN MILLIMETERS
WEIGHT ARE IN KILOGRAMM

PART NUMBER / DWG NO.: **AM007**

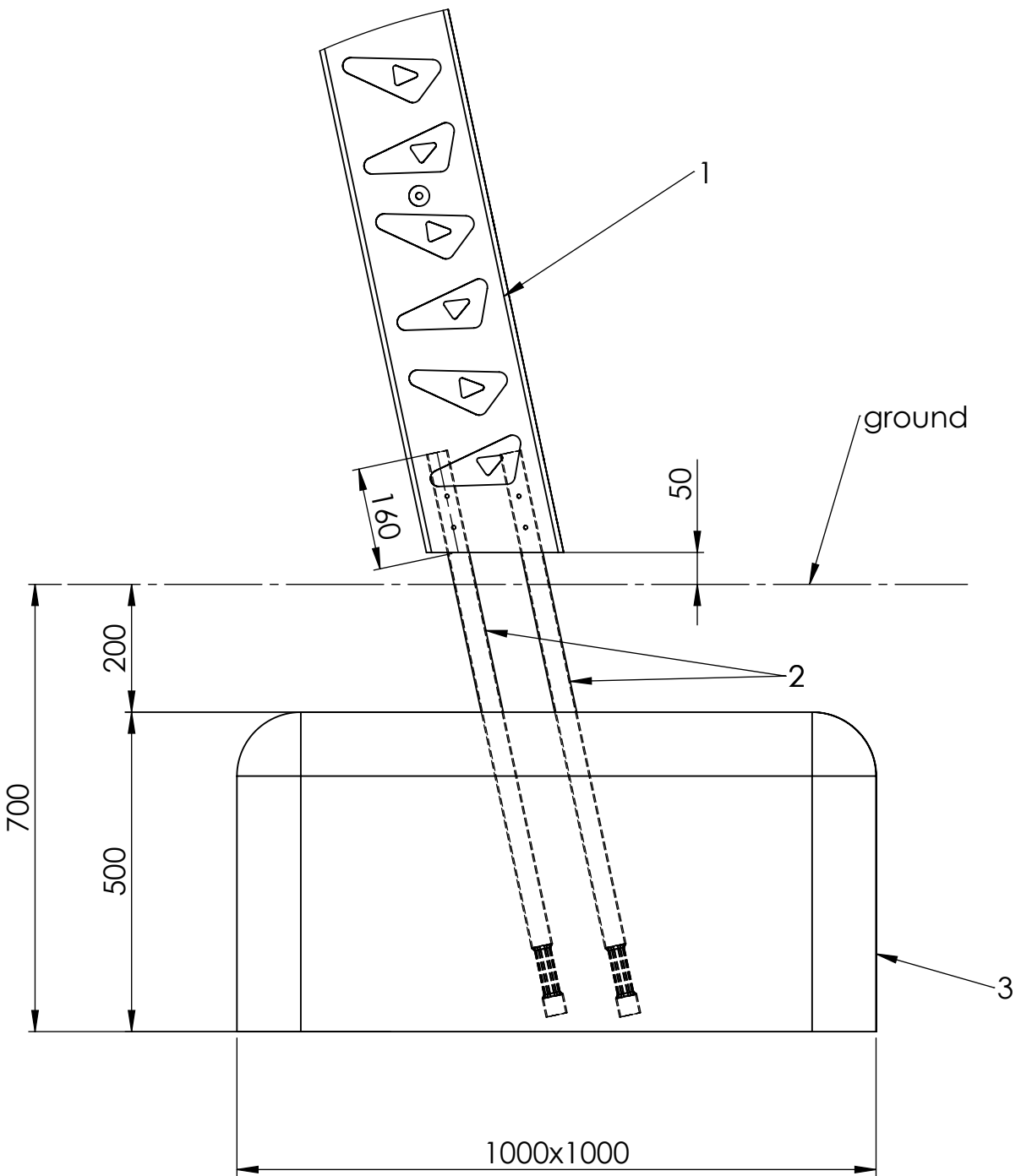
DESCRIPTION: **AMAZON**

MATERIAL: wood, metal, plastic

WEIGHT: SCALE: 1:80 SHEET 6 OF 9

NAME	SIGNATURE	DATE	REVISION
DRAWN M.Rebase		03.09.2013	
APPV'D			

Tiptiptap OÜ
Veetorni 9,
Jüri alevik, Rae vald,
75301 Harjumaa



ITEM NO.	PART NUMBER
1	post 105x210
2	metal ground fixing L_900
3	concrete

UNLESS OTHERWISE SPECIFIED:
DIMENSIONS ARE IN MILLIMETERS
WEIGHT ARE IN KILOGRAMM

	NAME	SIGNATURE	DATE	REVISION
DRAWN	M.Rebase		03.09.2013	
APPV'D				

PART NUMBER / DWG NO.:	AM007
DESCRIPTION:	AMAZON



Tiptap OÜ

Tiptap OÜ
Veetorni 9,
Jüri alevik, Rae vald,
75301 Harjumaa

MATERIAL:	wood, metal, plastic	A4
WEIGHT:	SCALE: 1:10	SHEET 7 OF 9

A

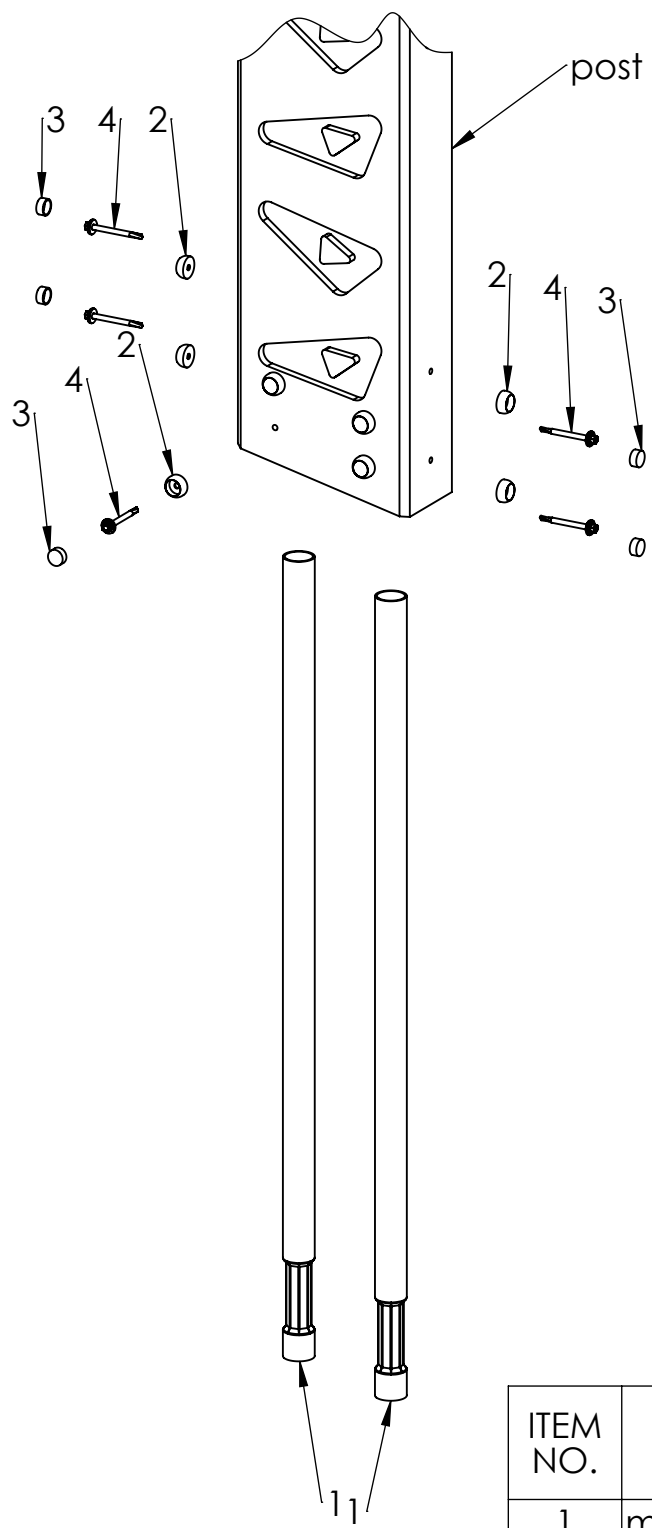
B

C

D

E

F



ITEM NO.	PART NUMBER
1	metal ground fixing
2	nut cover M6
3	nut cover cap M6
4	screw DIN7504K 5,5x68

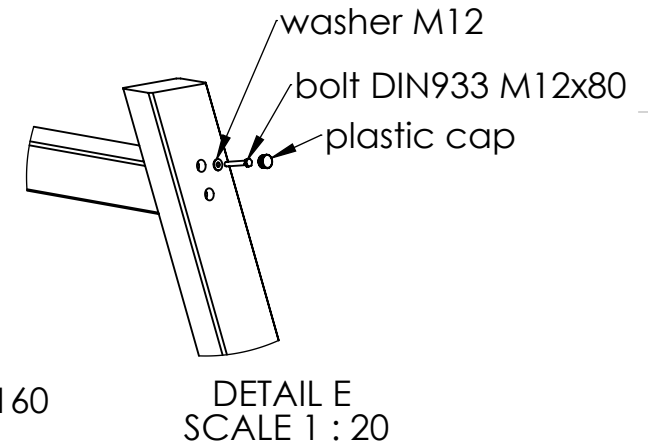
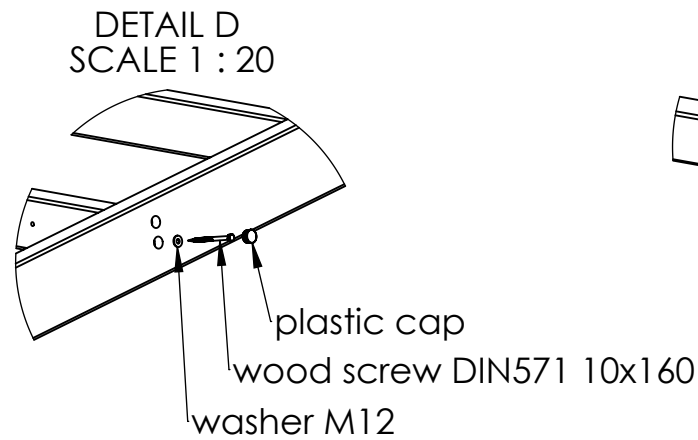
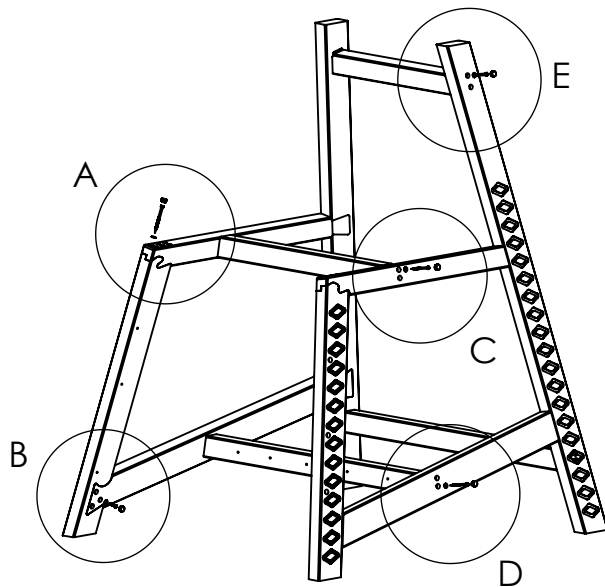
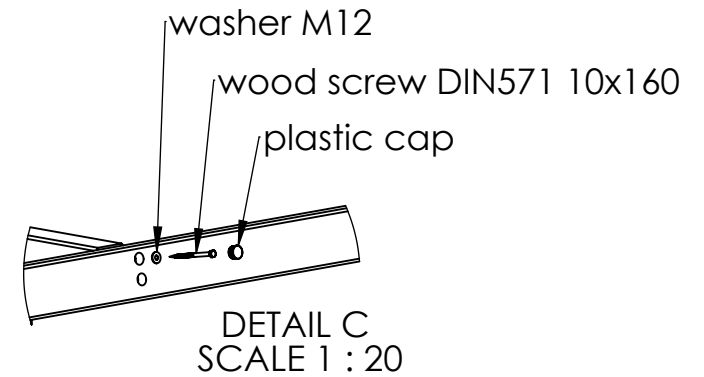
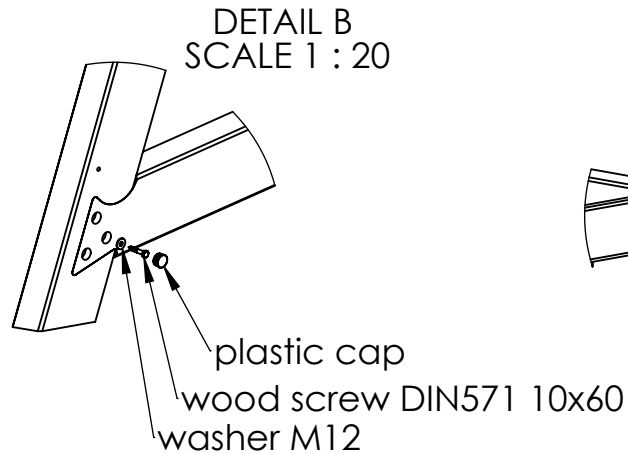
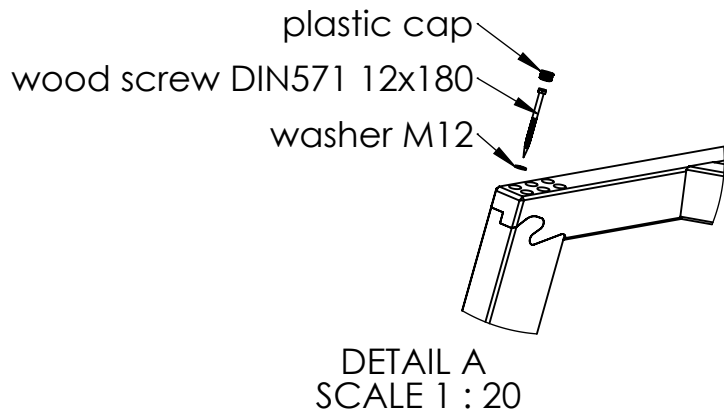
UNLESS OTHERWISE SPECIFIED: DIMENSIONS ARE IN MILLIMETERS WEIGHT ARE IN KILOGRAMM				
	NAME	SIGNATURE	DATE	REVISION
DRAWN	M.Rebase		03.09.2013	
APPV'D				

PART NUMBER / DWG NO.:	AM007
DESCRIPTION:	AMAZON



Tiptiptap OÜ
Veetorni 9,
Jüri alevik, Rae vald,
75301 Harjumaa

MATERIAL:	wood, metal, plastic	A4
WEIGHT:	SCALE: 1:8	SHEET 8 OF 9



UNLESS OTHERWISE SPECIFIED:
DIMENSIONS ARE IN MILLIMETERS
WEIGHT ARE IN KILOGRAMM

	NAME	SIGNATURE	DATE	REVISION
DRAWN	M.Rebase		03.09.2013	
APPV'D				

PART NUMBER / DWG NO.:
AM007

DESCRIPTION:
AMAZON



Tiptaptap OÜ
Tiptaptap OÜ
Veetorni 9,
Jüri alevik, Rae vald,
75301 Harjumaa

MATERIAL: wood, metal, plastic

WEIGHT: SCALE: 1:50

A4 SHEET 9 OF 9