

A

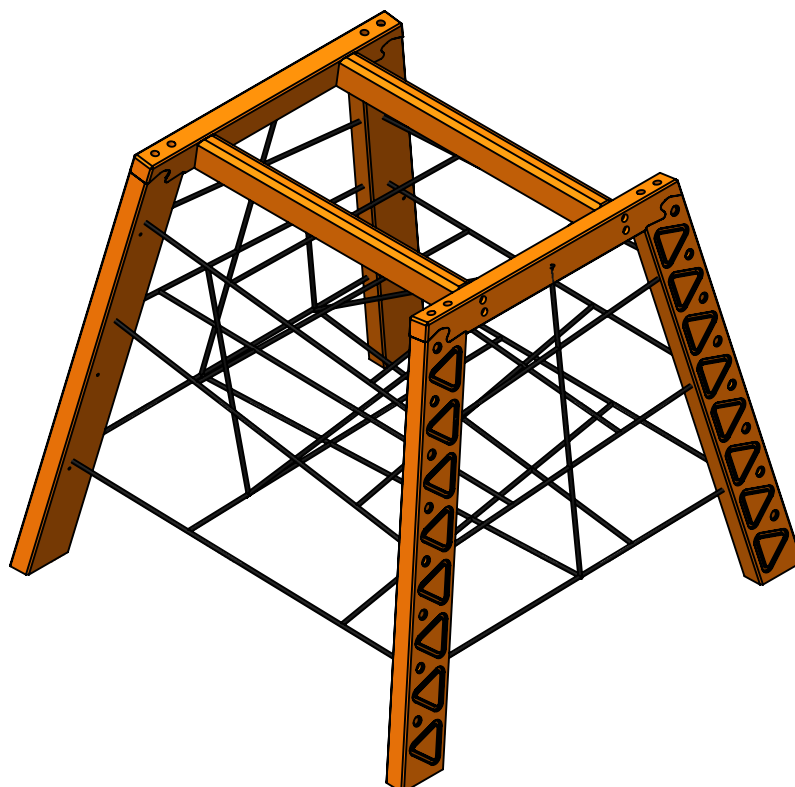
B

C

D

E

F



UNLESS OTHERWISE SPECIFIED:
DIMENSIONS ARE IN MILLIMETERS
WEIGHT ARE IN KILOGRAMM

PART NUMBER / DWG NO.:

AM004

	NAME	SIGNATURE	DATE	REVISION
DRAWN	M.Rebase		06.08.2014	
APPV'D				

DESCRIPTION:

AMAZON



Tiptaptap OÜ

Tiptaptap OÜ
Veetorni 9,
Jüri alevik, Rae vald,
75301 Harjumaa

MATERIAL:

wood, metal, plastic

A4

WEIGHT:

SCALE: 1:30

SHEET 1 OF 8

safety area

A

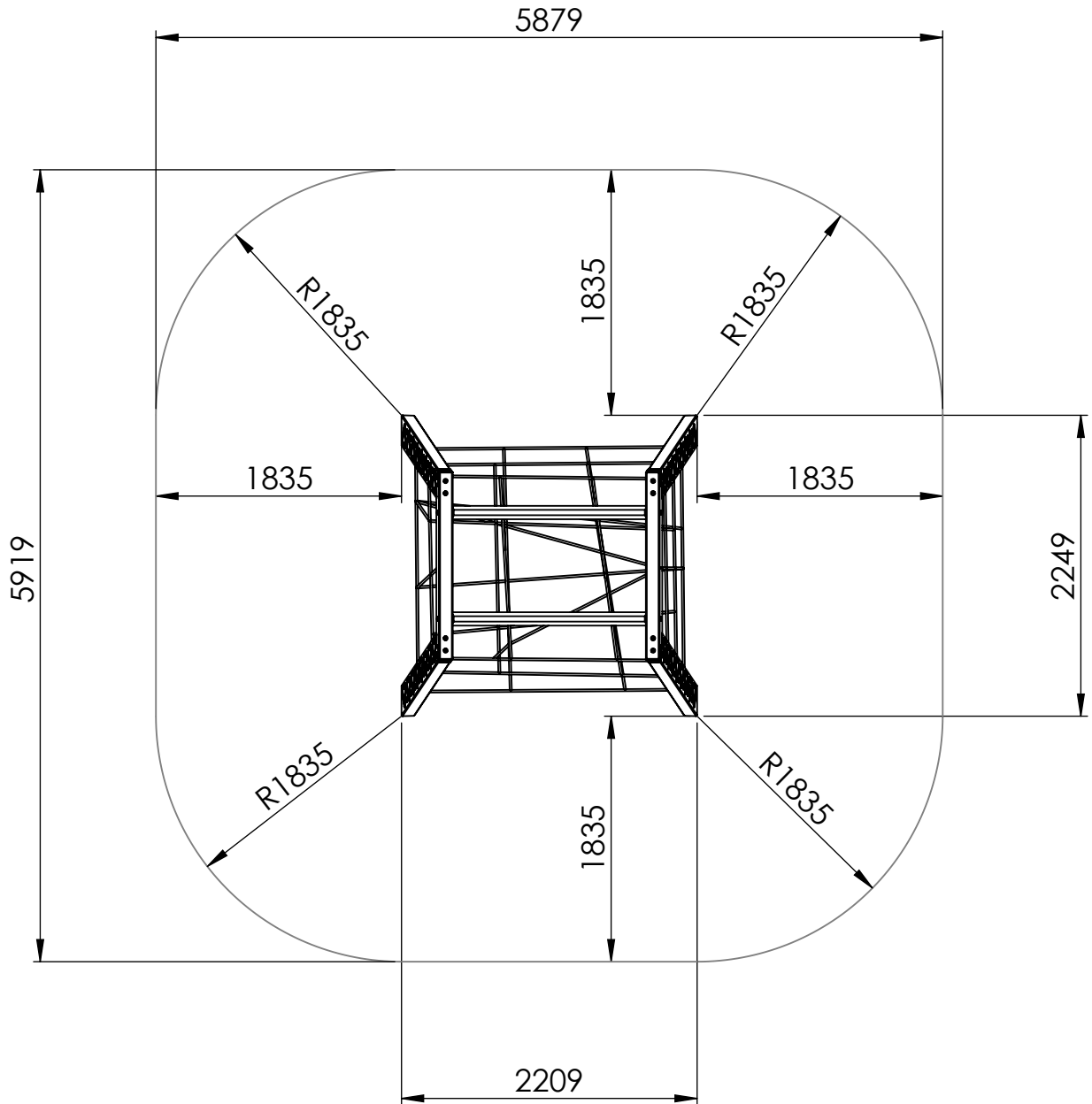
B

C

D

E

F



UNLESS OTHERWISE SPECIFIED: DIMENSIONS ARE IN MILLIMETERS WEIGHT ARE IN KILOGRAMM				
	NAME	SIGNATURE	DATE	REVISION
DRAWN	M.Rebase		06.08.2014	
APPV'D				

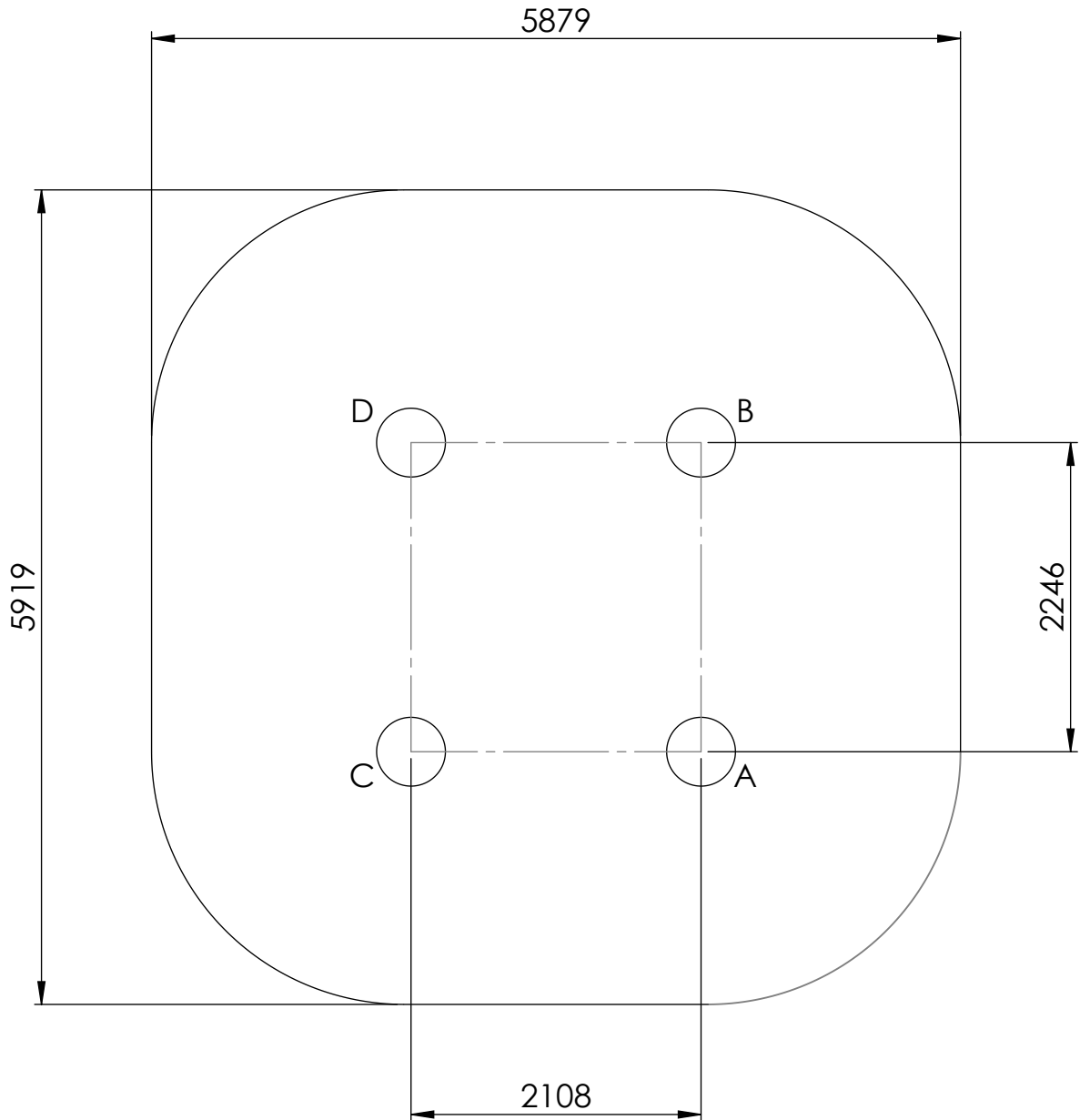
PART NUMBER / DWG NO.:	AM004
------------------------	-------

DESCRIPTION:	AMAZON safety area
--------------	-----------------------


Tiptaptap OÜ
 Veetorni 9,
 Jüri alevik, Rae vald,
 75301 Harjumaa

MATERIAL:	wood, metal, plastic	A4
WEIGHT:	SCALE: 1:50	SHEET 2 OF 8

foundation



depth of foundation 600mm

UNLESS OTHERWISE SPECIFIED:
DIMENSIONS ARE IN MILLIMETERS
WEIGHT ARE IN KILOGRAMM

PART NUMBER / DWG NO.:

AM004

	NAME	SIGNATURE	DATE	REVISION
DRAWN	M.Rebase		06.08.2014	
APPV'D				

DESCRIPTION:

AMAZON
foundation

MATERIAL:

wood, metal, plastic

A4

WEIGHT:

SCALE: 1:30

SHEET 3 OF 8



Tiptaptap OÜ

Tiptaptap OÜ
Veetorni 9,
Jüri alevik, Rae vald,
75301 Harjumaa

A

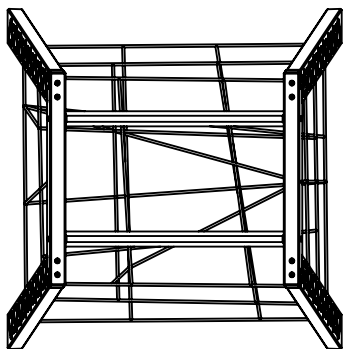
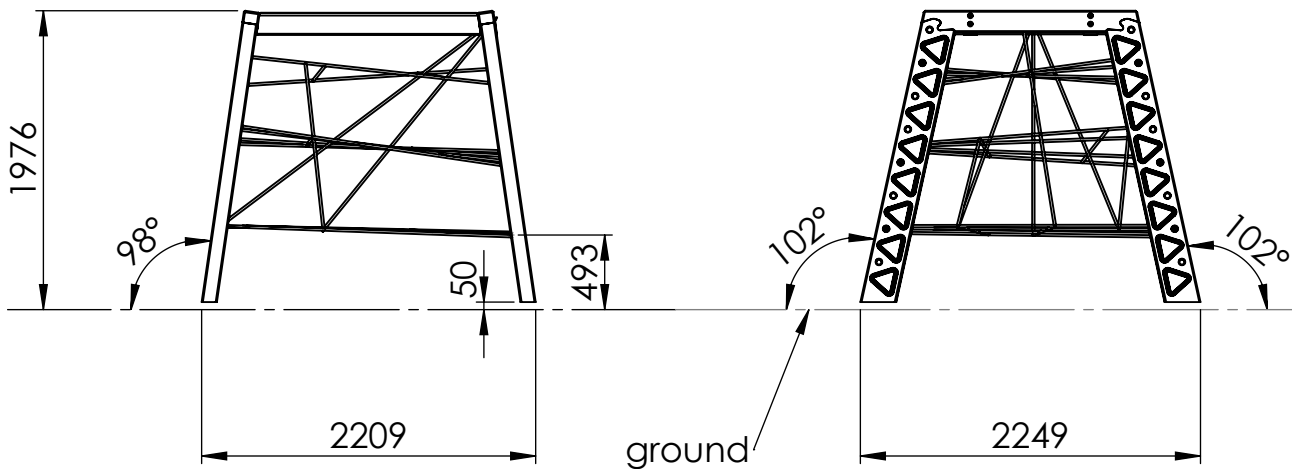
B

C

D

E

F



UNLESS OTHERWISE SPECIFIED:
 DIMENSIONS ARE IN MILLIMETERS
 WEIGHT ARE IN KILOGRAMM

PART NUMBER / DWG NO.:

AM004

	NAME	SIGNATURE	DATE	REVISION
DRAWN	M.Rebase		06.08.2014	
APPV'D				

DESCRIPTION:

AMAZON



Tiptaptap OÜ

Tiptaptap OÜ
 Veetorni 9,
 Jüri alevik, Rae vald,
 75301 Harjumaa

MATERIAL:

wood, metal, plastic

A4

WEIGHT:

SCALE: 1:50

SHEET 4 OF 8

A

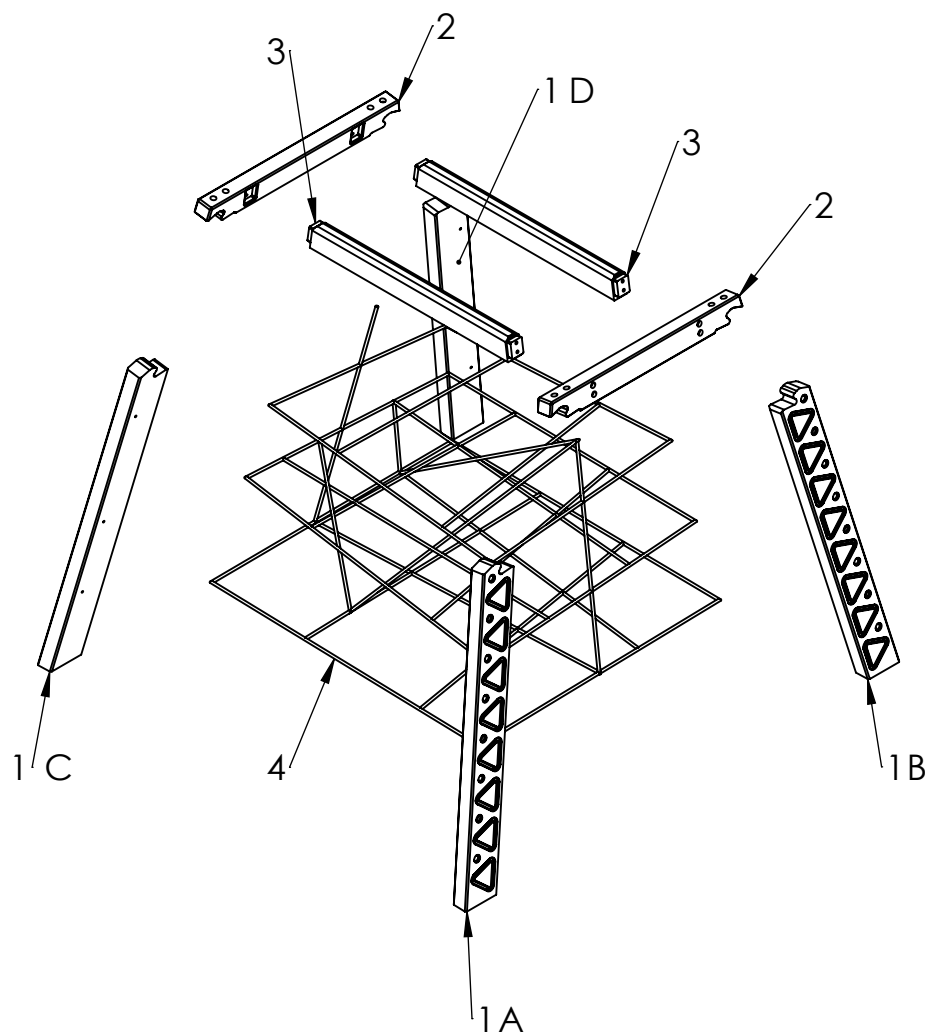
B

C

D

E

F



ITEM NO.	PART NUMBER	DESCRIPTION	QTY.
1	post 105x210x1945	laminated wood	4
2	beam 105x145x1440	laminated wood	2
3	beam 105x145x1533	laminated wood	2
4	climbing net for AM004	PP covered steel wire	1

UNLESS OTHERWISE SPECIFIED:
DIMENSIONS ARE IN MILLIMETERS
WEIGHT ARE IN KILOGRAMM

PART NUMBER / DWG NO.:

AM004

	NAME	SIGNATURE	DATE	REVISION
DRAWN	M.Rebase		06.08.2014	
APPV'D				

DESCRIPTION:

AMAZON



Tiptap OÜ

Tiptap OÜ
Veetorni 9,
Jüri alevik, Rae vald,
75301 Harjumaa

MATERIAL:

wood, metal, plastic

A4

WEIGHT:

SCALE: 1:40

SHEET 5 OF 8

A

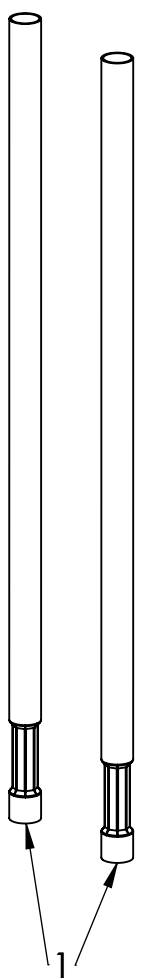
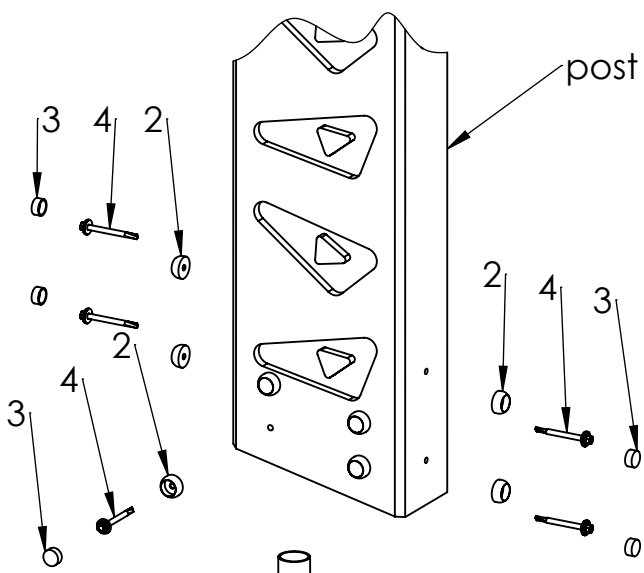
B

C

D

E

F



ITEM NO.	PART NUMBER
1	metal ground fixing
2	nut cover M6
3	nut cover cap M6
4	screw DIN7504K 5,5x68

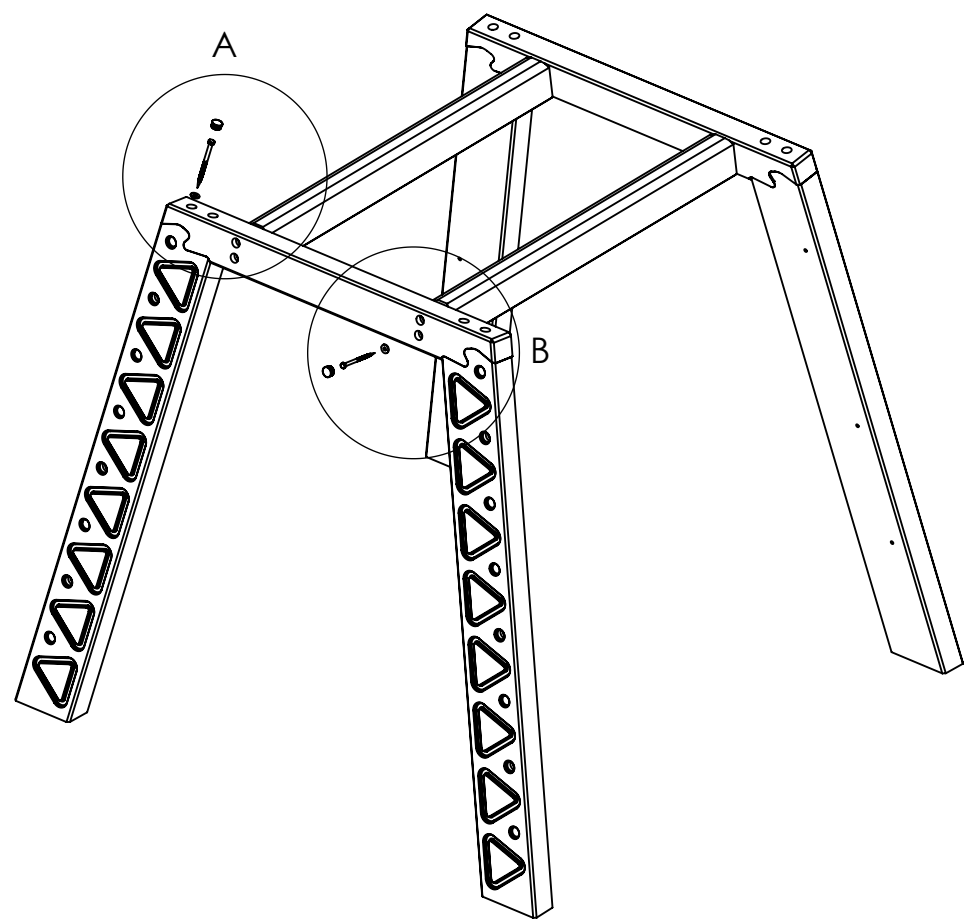
UNLESS OTHERWISE SPECIFIED: DIMENSIONS ARE IN MILLIMETERS WEIGHT ARE IN KILOGRAMM				
	NAME	SIGNATURE	DATE	REVISION
DRAWN	M.Rebase		06.08.2014	
APPV'D				

PART NUMBER / DWG NO.:	AM004
DESCRIPTION:	AMAZON



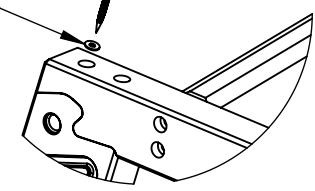
Tiptiptap OÜ
 Veetorni 9,
 Jüri alevik, Rae vald,
 75301 Harjumaa

MATERIAL:	wood, metal, plastic	A4
WEIGHT:	SCALE: 1:8	SHEET 7 OF 8



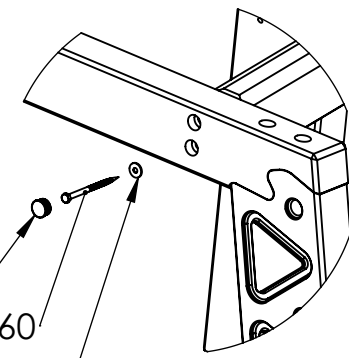
plastic cap
 wood screw DIN571 12x180
 washer M12

DETAIL A
 SCALE 1 : 15



DETAIL B
 SCALE 1 : 15

plastic cap
 wood screw DIN571 10x160
 washer M10



UNLESS OTHERWISE SPECIFIED:
 DIMENSIONS ARE IN MILLIMETERS
 WEIGHT ARE IN KILOGRAMM

	NAME	SIGNATURE	DATE	REVISION
DRAWN	M.Rebase		06.08.2014	
APPV'D				

PART NUMBER / DWG NO.:
AM004

DESCRIPTION:
AMAZON
 connecting beams and posts



Tiptaptap OÜ
 Veetorni 9,
 Jüri alevik, Rae vald,
 75301 Harjumaa

MATERIAL:
 wood, metal, plastic

A4

WEIGHT: SCALE: 1:25 SHEET 8 OF 8