

A

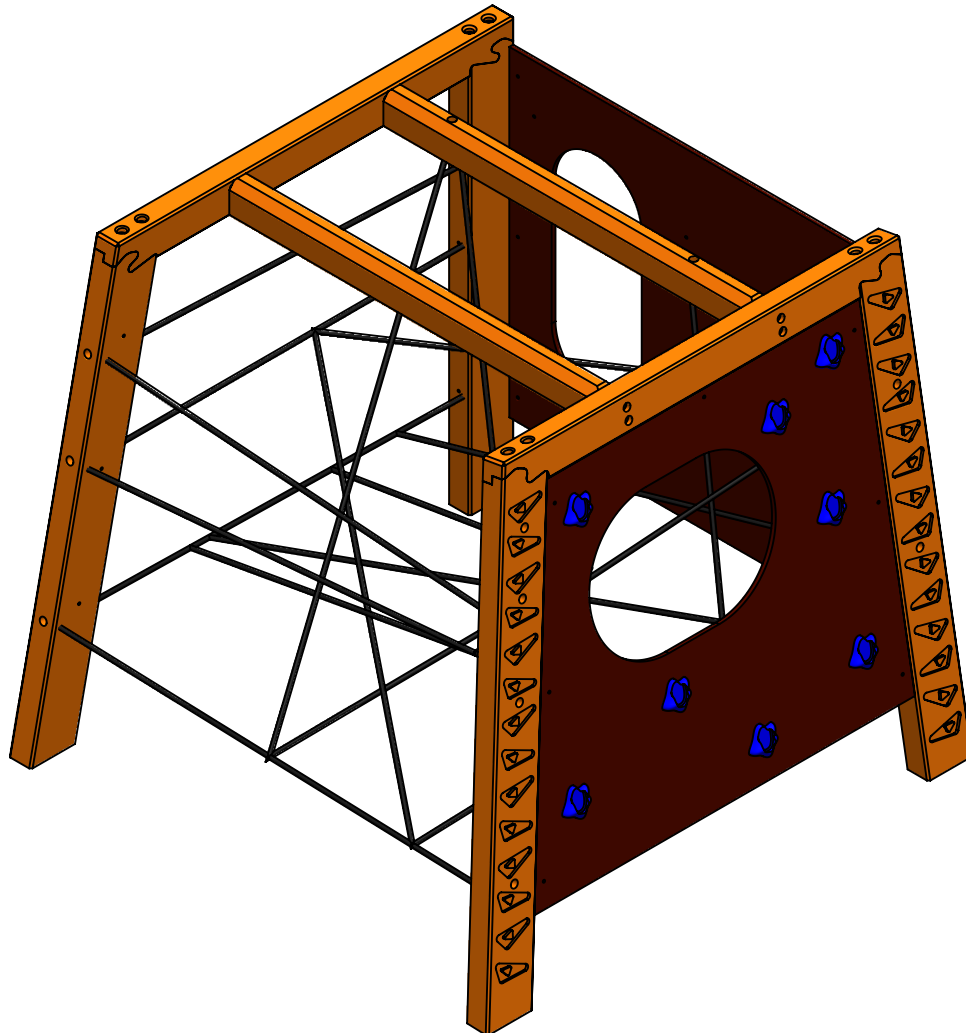
B

C

D

E

F



UNLESS OTHERWISE SPECIFIED:
 DIMENSIONS ARE IN MILLIMETERS
 WEIGHT ARE IN KILOGRAMM

PART NUMBER / DWG NO.:

AM003

	NAME	SIGNATURE	DATE	REVISION
DRAWN	M.Rebase		30.04.2012	
APP'VD				

DESCRIPTION:

AMAZON



Tiptaptap OÜ

Tiptaptap OÜ
 Veetorni 9,
 Jüri alevik, Rae vald,
 75301 Harjumaa

MATERIAL:

wood, metal, plastic

A4

WEIGHT:

SCALE: 1:25

SHEET 1 OF 6

safety area

A

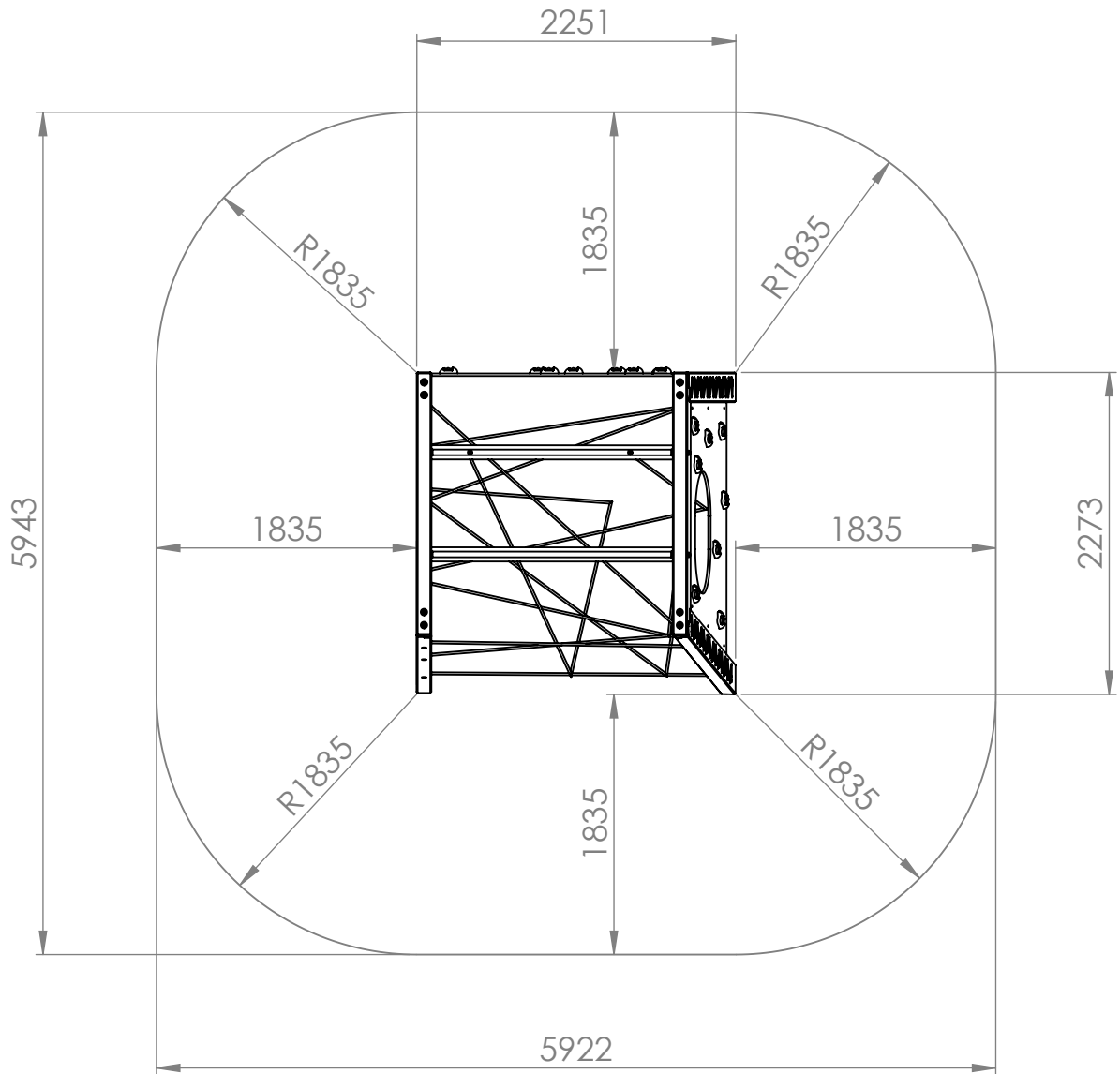
B

C

D

E

F



UNLESS OTHERWISE SPECIFIED:
DIMENSIONS ARE IN MILLIMETERS
WEIGHT ARE IN KILOGRAMM

PART NUMBER / DWG NO.:
AM003

	NAME	SIGNATURE	DATE	REVISION
DRAWN	M.Rebase		30.04.2012	
APP'VD				

DESCRIPTION:
**AMAZON
safety area**



Tiptaptap OÜ
Veetorni 9,
Jüri alevik, Rae vald,
75301 Harjumaa

MATERIAL:	wood, metal, plastic	A4
WEIGHT:	SCALE: 1:50	SHEET 2 OF 6

foundation

A

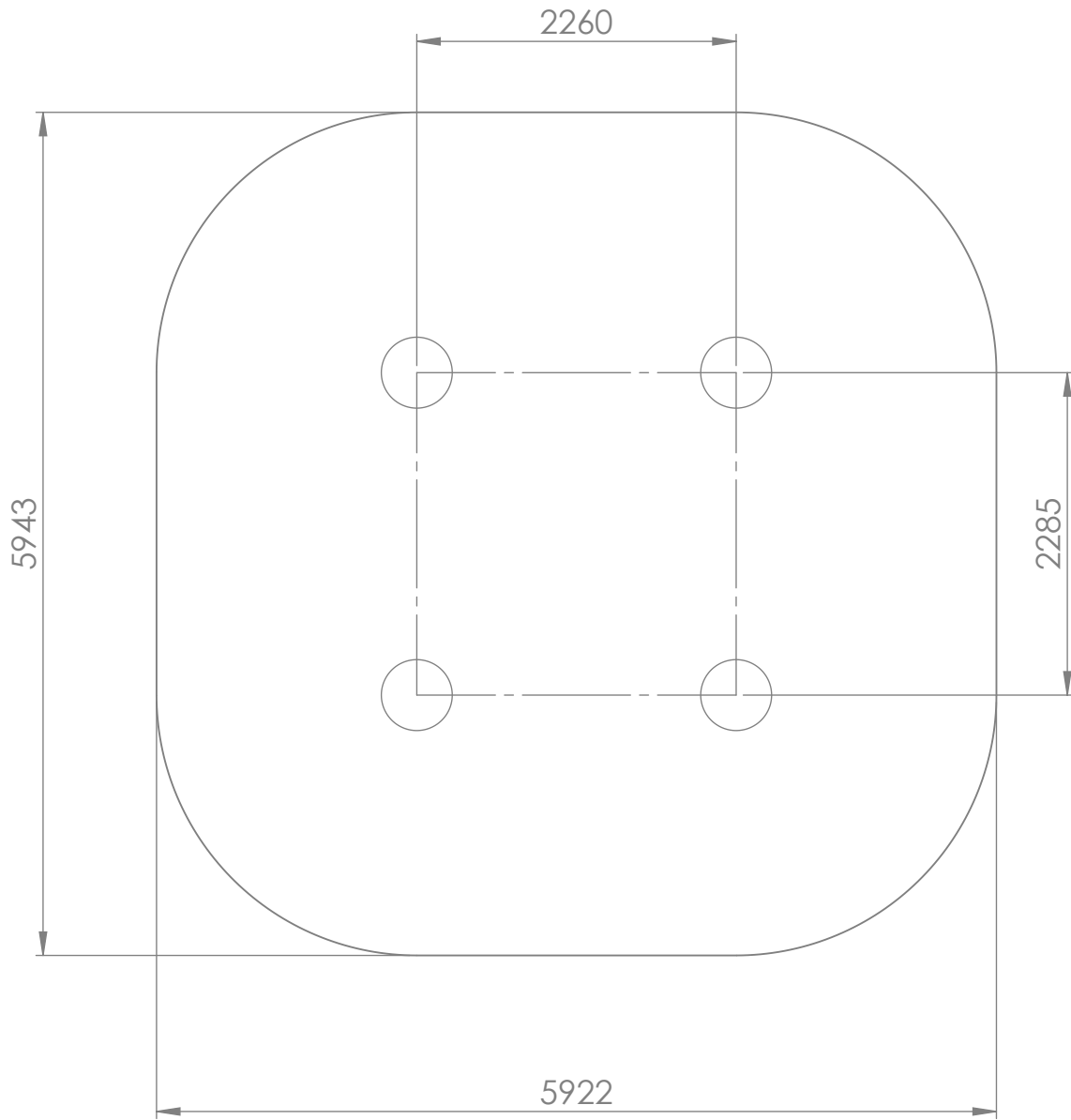
B

C

D

E

F



depth of foundation 600mm

UNLESS OTHERWISE SPECIFIED:
DIMENSIONS ARE IN MILLIMETERS
WEIGHT ARE IN KILOGRAMM

PART NUMBER / DWG NO.:

AM003

	NAME	SIGNATURE	DATE	REVISION
DRAWN	M.Rebase		30.04.2012	
APPV'D				

DESCRIPTION:

AMAZON
foundation



Tiptaptap OÜ

Tiptaptap OÜ
Veetorni 9,
Jüri alevik, Rae vald,
75301 Harjumaa

MATERIAL:

wood, metal, plastic

A4

WEIGHT:

SCALE: 1:50

SHEET 3 OF 6

A

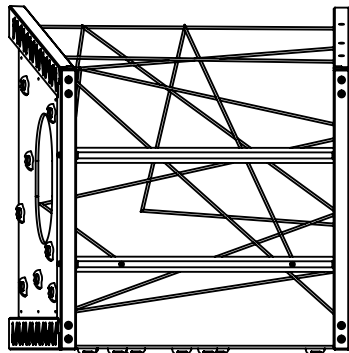
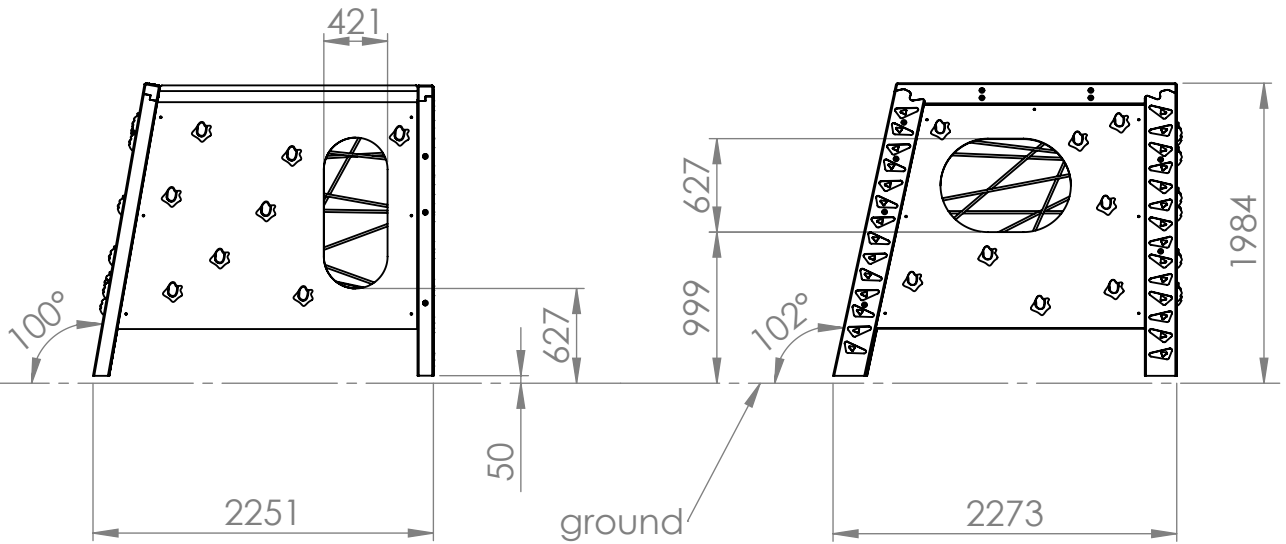
B

C

D

E

F



UNLESS OTHERWISE SPECIFIED:
 DIMENSIONS ARE IN MILLIMETERS
 WEIGHT ARE IN KILOGRAMM

PART NUMBER / DWG NO.:

AM003

	NAME	SIGNATURE	DATE	REVISION
DRAWN	M.Rebase		30.04.2012	
APPV'D				

DESCRIPTION:

AMAZON



Tiptap OÜ

Tiptap OÜ
 Veetorni 9,
 Jüri alevik, Rae vald,
 75301 Harjumaa

MATERIAL:

wood, metal, plastic

A4

WEIGHT:

SCALE: 1:50

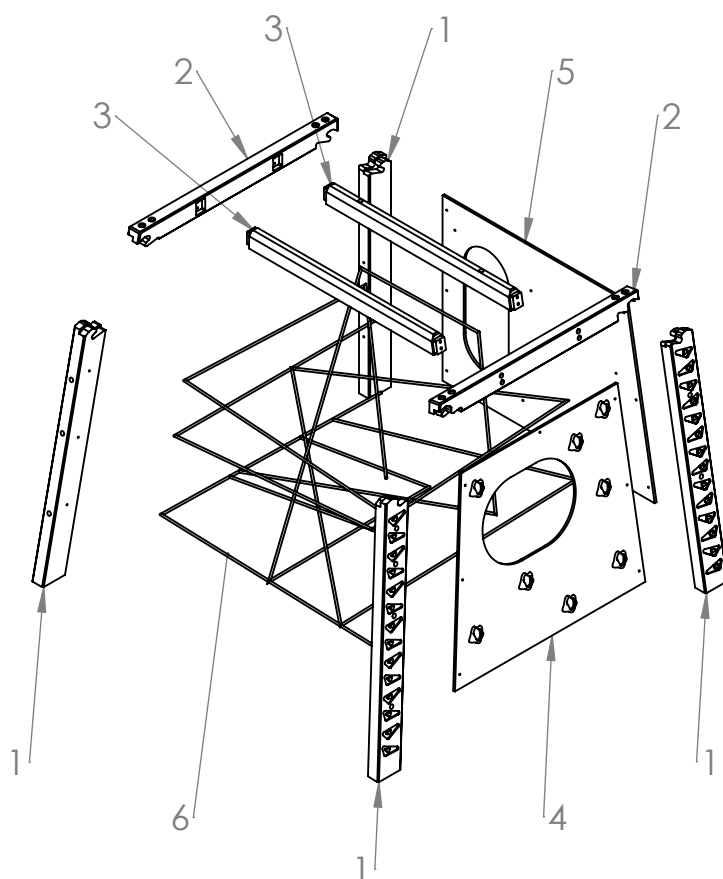
SHEET 4 OF 6

A


B

C

D



ITEM NO.	PART NUMBER	DESCRIPTION	QTY.
1	post 105x210x1925	laminated wood	4
2	beam 105x145x1870	laminated wood	2
3	beam 105x145x1700	laminated wood	2
4	climbing wall 1500x1778 with fixings	plywood, metal	1
5	climbing wall 1500x1720 with fixings	plywood, metal	1
6	climbing net	PP covered steel wire	1

UNLESS OTHERWISE SPECIFIED: DIMENSIONS ARE IN MILLIMETERS WEIGHT ARE IN KILOGRAMM				PART NUMBER / DWG NO.:		AM003			
NAME		SIGNATURE		DATE		REVISION			
DRAWN		M.Rebase		30.04.2012					
APPV'D									
 Tiptiptap OÜ Veetorni 9, Jüri alevik, Rae vald, 75301 Harjumaa				DESCRIPTION:				AMAZON	
				MATERIAL:		wood, metal, plastic			
				WEIGHT:		A4			
				SCALE: 1:50		SHEET 5 OF 6			

F

A

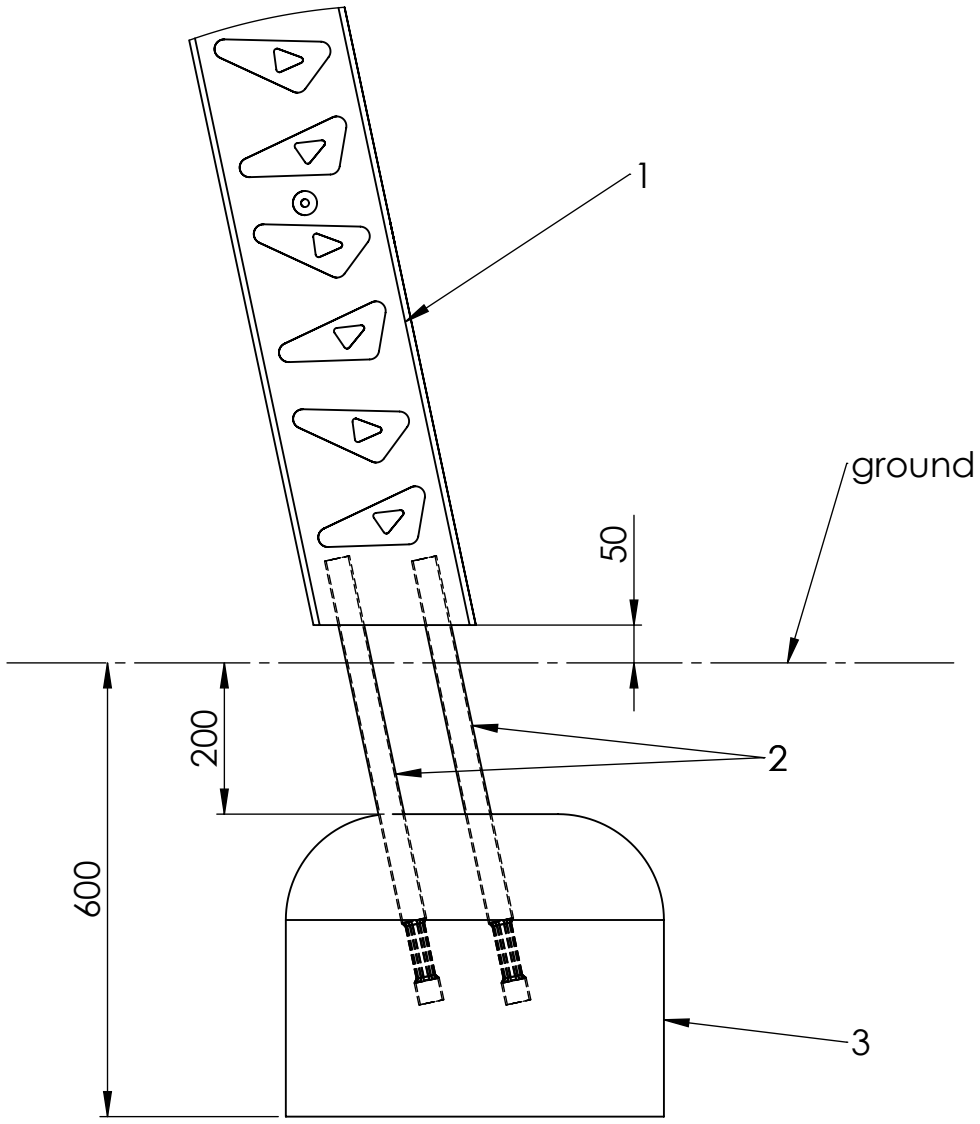
B

C

D

E

F



ITEM NO.	PART NUMBER
1	post 105x210
2	metal ground fixing
3	concrete

UNLESS OTHERWISE SPECIFIED:
 DIMENSIONS ARE IN MILLIMETERS
 WEIGHT ARE IN KILOGRAMM

	NAME	SIGNATURE	DATE	REVISION
DRAWN	M.Rebase		30.04.2012	
APPV'D				

PART NUMBER / DWG NO.:
AM003

DESCRIPTION:
AMAZON
 connecting metal ground fixing to post



Tiptiptap OÜ

Tiptiptap OÜ
 Veetorni 9,
 Jüri alevik, Rae vald,
 75301 Harjumaa

MATERIAL: wood, metal, plastic

A4

WEIGHT: SCALE: 1:10 SHEET 6 OF 6