

A

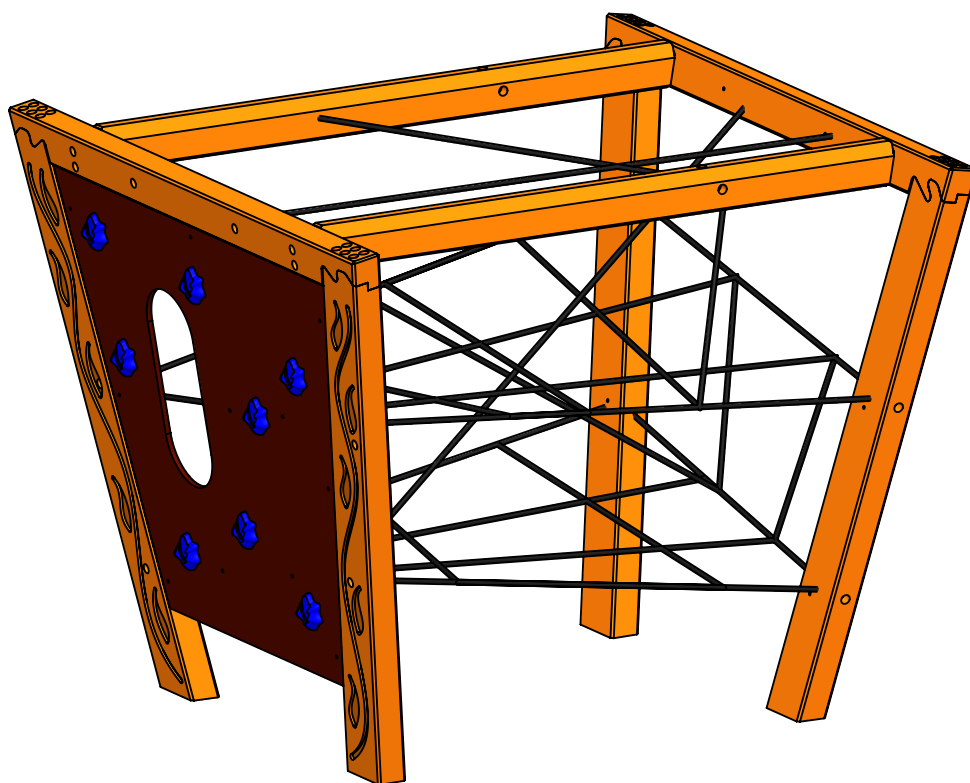
B

C

D

E

F



UNLESS OTHERWISE SPECIFIED:
DIMENSIONS ARE IN MILLIMETERS
WEIGHT ARE IN KILOGRAMM

PART NUMBER / DWG NO.:

AM001

	NAME	SIGNATURE	DATE	REVISION
DRAWN	M.Rebase		30.04.2012	
APPV'D				

DESCRIPTION:

AMAZON



Tiptaptap OÜ

Tiptaptap OÜ
Veetorni 9,
Jüri alevik, Rae vald,
75301 Harjumaa

MATERIAL:

wood, metal, plastic

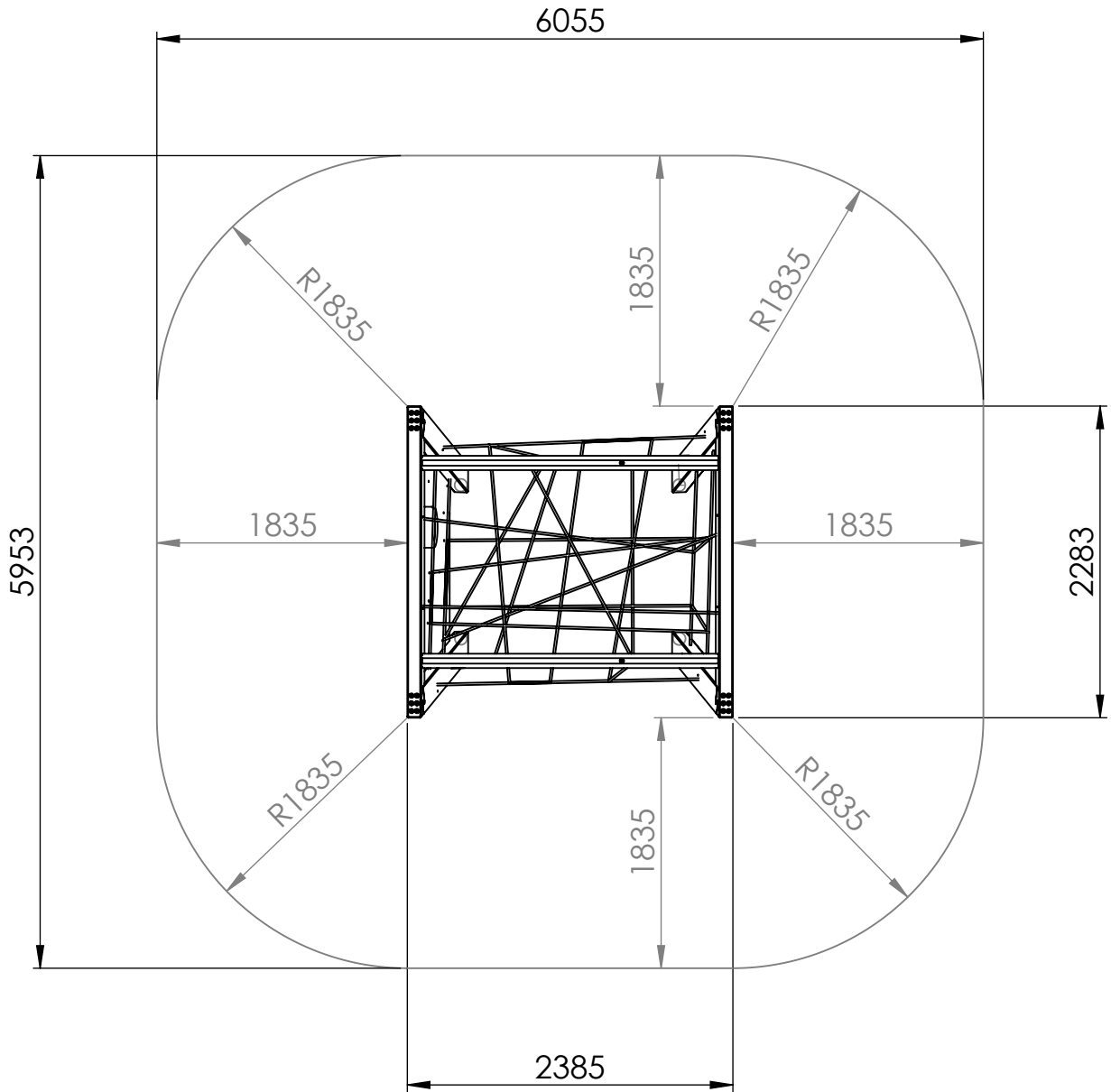
A4

WEIGHT:

SCALE: 1:25

SHEET 1 OF 8

safety area



UNLESS OTHERWISE SPECIFIED:
DIMENSIONS ARE IN MILLIMETERS
WEIGHT ARE IN KILOGRAMM

PART NUMBER / DWG NO.:

AM001

	NAME	SIGNATURE	DATE	REVISION
DRAWN	M.Rebase		30.04.2012	
APPV'D				

DESCRIPTION:

AMAZON
safety area



Tiptap OÜ

Tiptap OÜ
Veetorni 9,
Jüri alevik, Rae vald,
75301 Harjumaa

MATERIAL:

wood, metal, plastic

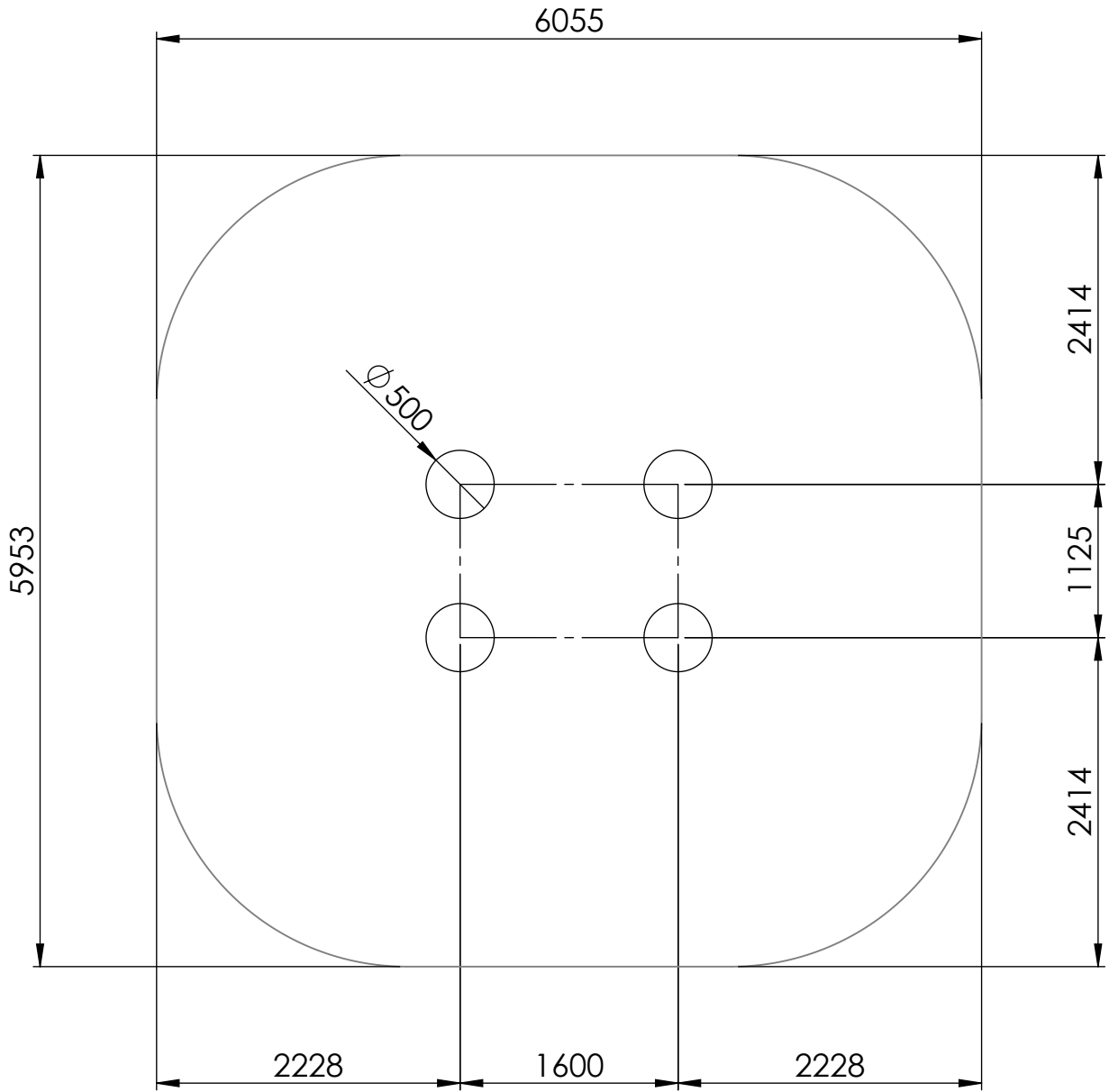
A4

WEIGHT:

SCALE: 1:50

SHEET 2 OF 8

foundation



depth of foundation 600mm

UNLESS OTHERWISE SPECIFIED:
DIMENSIONS ARE IN MILLIMETERS
WEIGHT ARE IN KILOGRAMM

PART NUMBER / DWG NO.:

AM001

	NAME	SIGNATURE	DATE	REVISION
DRAWN	M.Rebase		30.04.2012	
APPV'D				

DESCRIPTION:

AMAZON
foundation

MATERIAL:

wood, metal, plastic

A4

WEIGHT:

SCALE: 1:50

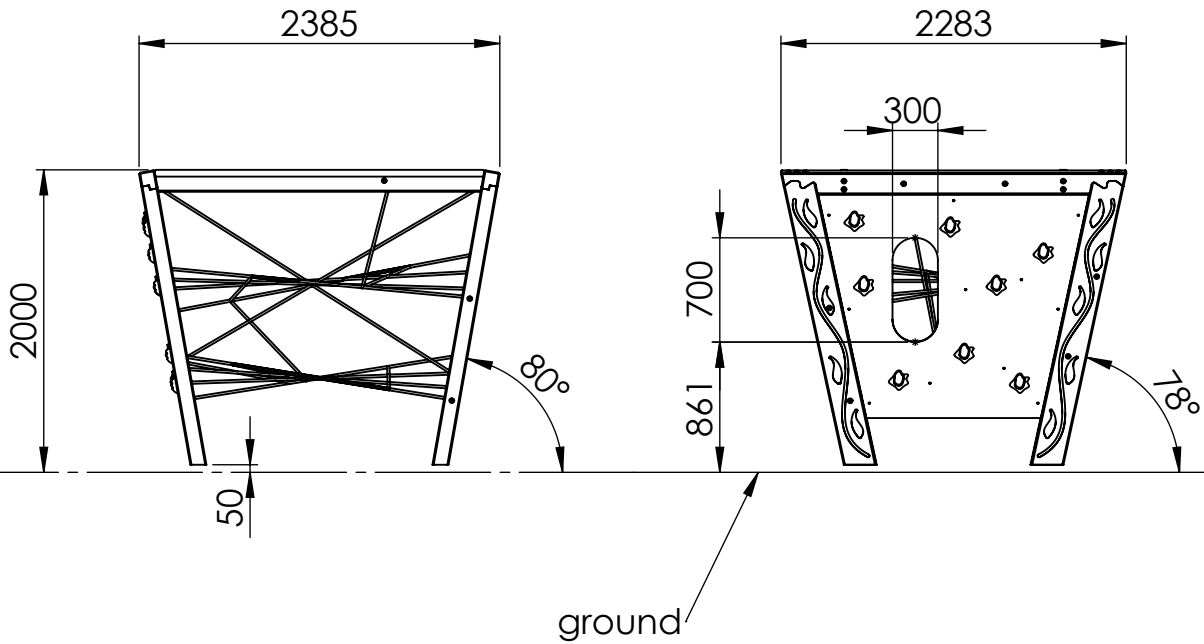
SHEET 3 OF 8



Tiptap OÜ

Tiptap OÜ
Veetorni 9,
Jüri alevik, Rae vald,
75301 Harjumaa

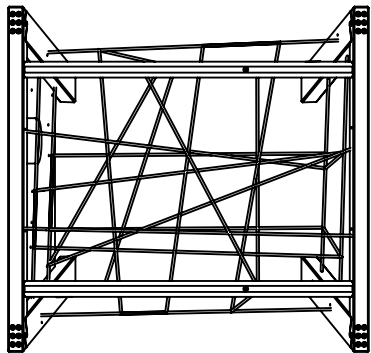
A



B

C

D



E

F

UNLESS OTHERWISE SPECIFIED:
 DIMENSIONS ARE IN MILLIMETERS
 WEIGHT ARE IN KILOGRAMM

PART NUMBER / DWG NO.:

AM001

	NAME	SIGNATURE	DATE	REVISION
DRAWN	M.Rebase		30.04.2012	
APPV'D				

DESCRIPTION:

AMAZON



Tiptaptap OÜ

Tiptaptap OÜ
 Veetorni 9,
 Jüri alevik, Rae vald,
 75301 Harjumaa

MATERIAL:

wood, metal, plastic

A4

WEIGHT:

SCALE: 1:50

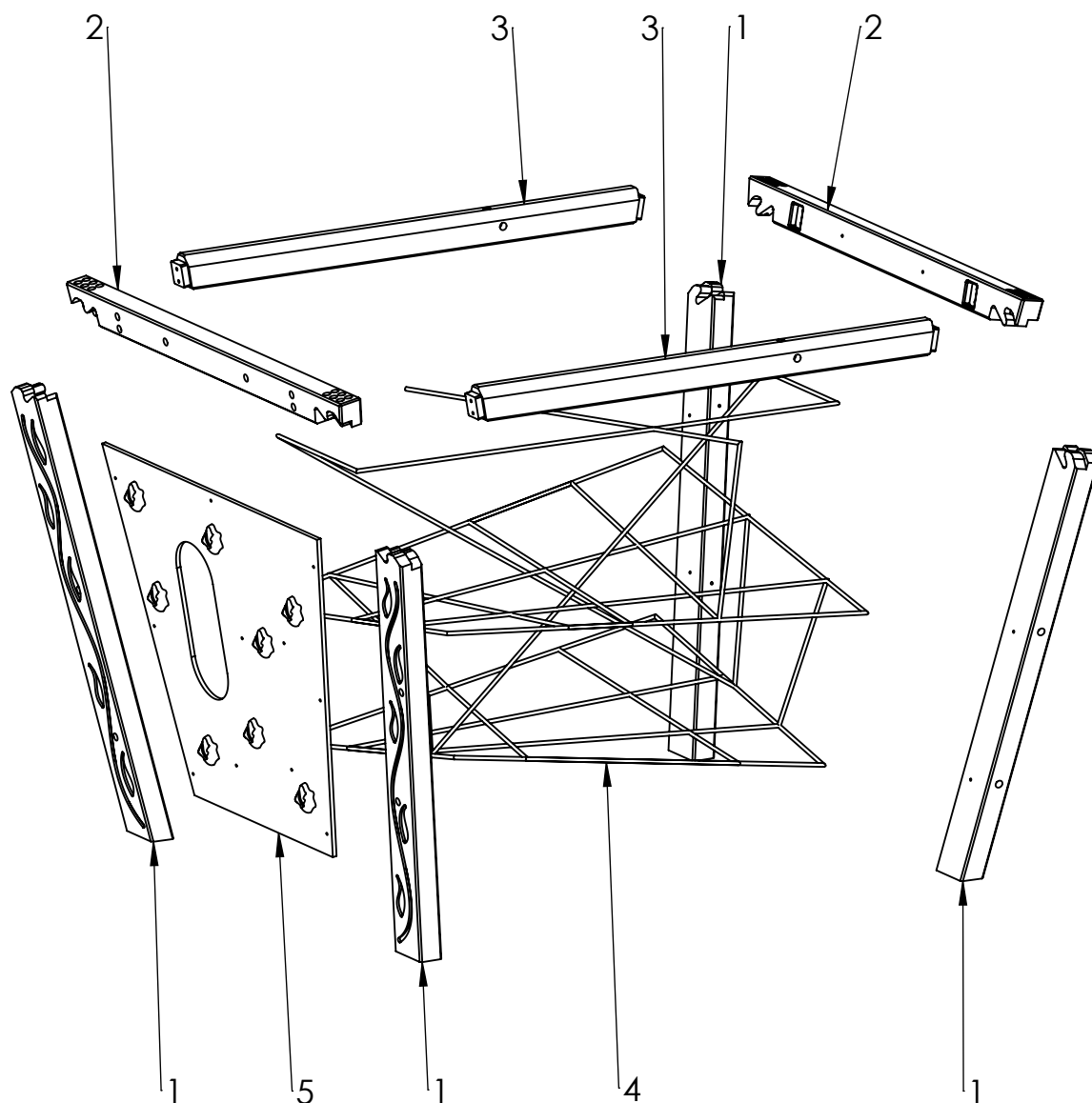
SHEET 4 OF 8

A

B

C

D



E

F

ITEM NO.	PART NUMBER	DESCRIPTION	QTY.
1	post 105x210x1995	laminated wood	4
2	beam 105x145x2285	laminated wood	2
3	beam 105x145x2200	laminated wood	2
4	climbing net for AM001	PP covered steel wire	1
5	climbing wall 1500x1790 with climbing grips	plywood, metal	1

UNLESS OTHERWISE SPECIFIED:
DIMENSIONS ARE IN MILLIMETERS
WEIGHT ARE IN KILOGRAMM

PART NUMBER / DWG NO.:

AM001

	NAME	SIGNATURE	DATE	REVISION
DRAWN	M.Rebase		30.04.2012	
APPV'D				

DESCRIPTION:

AMAZON



Tiptap OÜ

Tiptap OÜ
Veetorni 9,
Jüri alevik, Rae vald,
75301 Harjumaa

MATERIAL:

wood, metal, plastic

A4

WEIGHT:

SCALE: 1:30

SHEET 5 OF 8

A

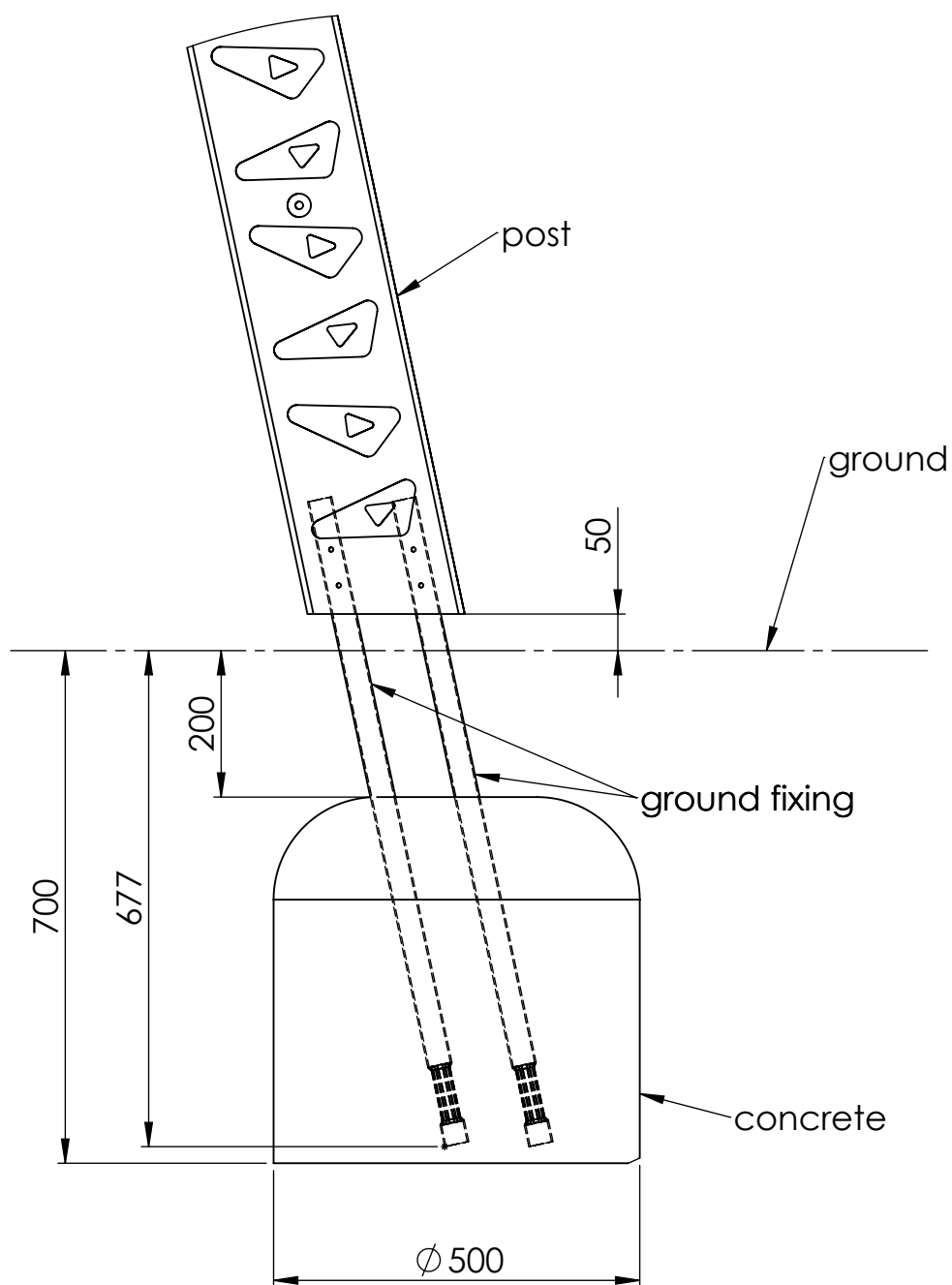
B

C

D

E

F



UNLESS OTHERWISE SPECIFIED:
DIMENSIONS ARE IN MILLIMETERS
WEIGHT ARE IN KILOGRAMM

PART NUMBER / DWG NO.:

AM001

	NAME	SIGNATURE	DATE	REVISION
DRAWN	M.Rebase		30.04.2012	
APPV'D				

DESCRIPTION:

AMAZON
connecting metal ground fixing to post

MATERIAL:

wood, metal, plastic

A4

WEIGHT:

SCALE: 1:10

SHEET 6 OF 8



Tiptap OÜ

Tiptap OÜ
Veetorni 9,
Jüri alevik, Rae vald,
75301 Harjumaa

A

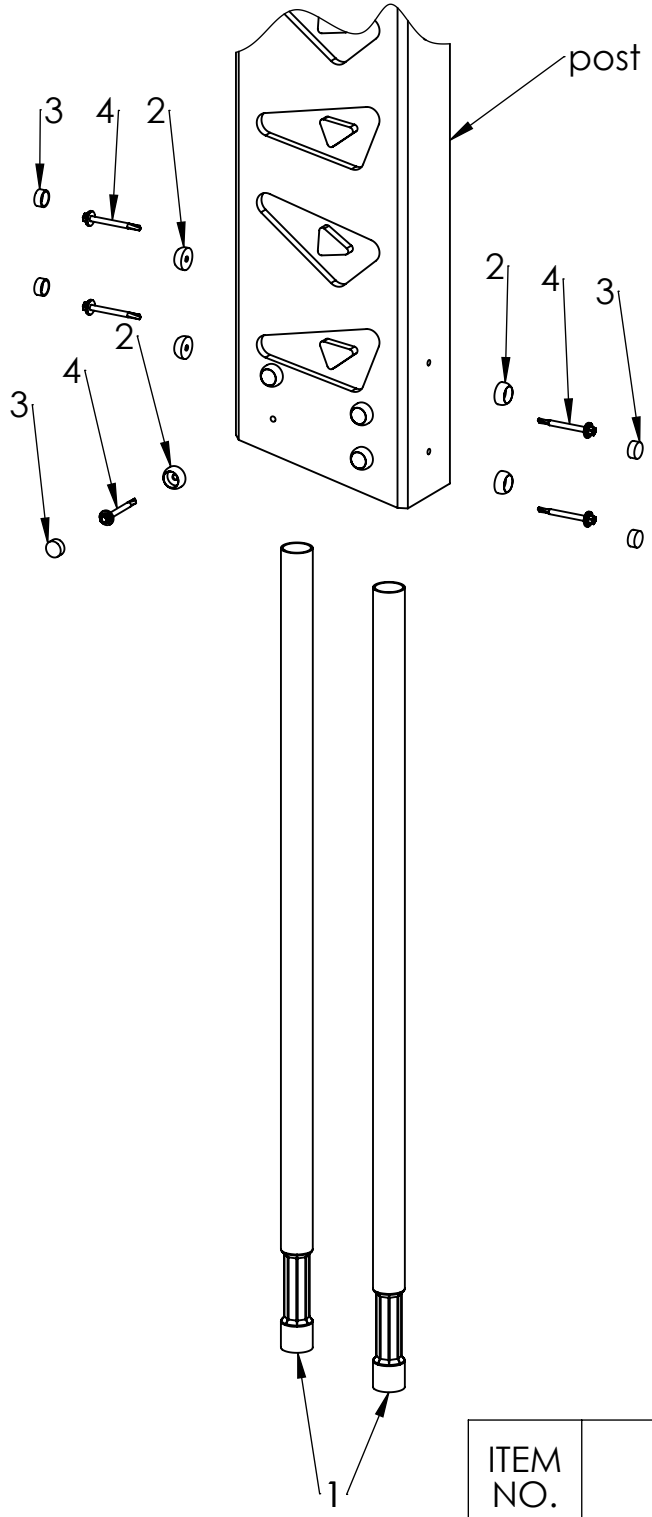
B

C

D

E

F



ITEM NO.	PART NUMBER
1	metal ground fixing
2	nut cover M6
3	nut cover cap M6
4	screw DIN7504K 5,5x68

UNLESS OTHERWISE SPECIFIED: DIMENSIONS ARE IN MILLIMETERS WEIGHT ARE IN KILOGRAMM				
	NAME	SIGNATURE	DATE	REVISION
DRAWN	M.Rebase		30.04.2012	
APPV'D				

PART NUMBER / DWG NO.:	AM001
DESCRIPTION:	AMAZON



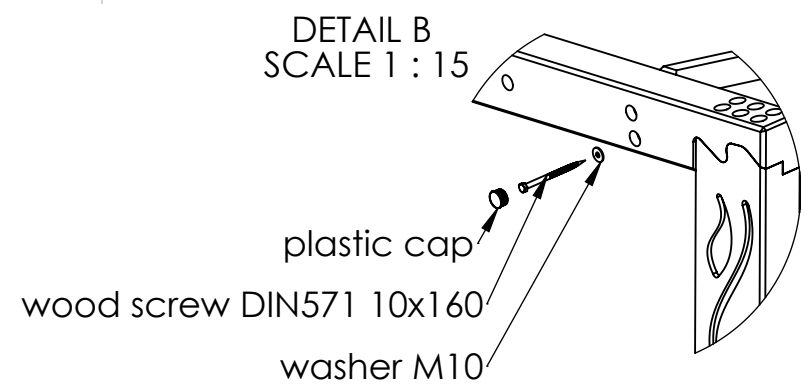
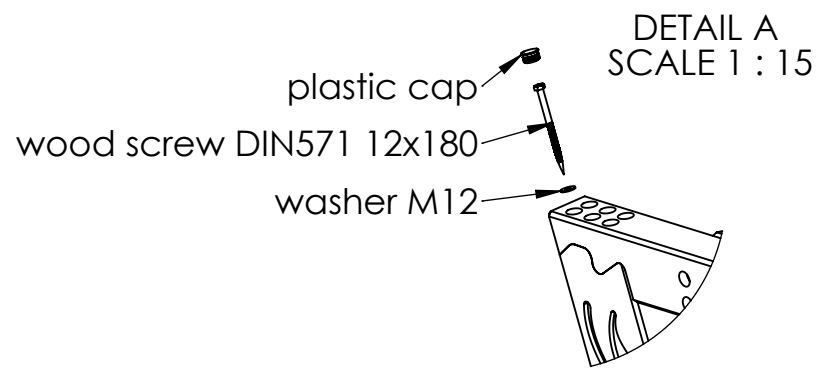
Tiptaptap OÜ
 Veetorni 9,
 Jüri alevik, Rae vald,
 75301 Harjumaa

MATERIAL:	wood, metal, plastic	A4
WEIGHT:	SCALE: 1:8	SHEET 7 OF 8

1 2 3 4 5 6

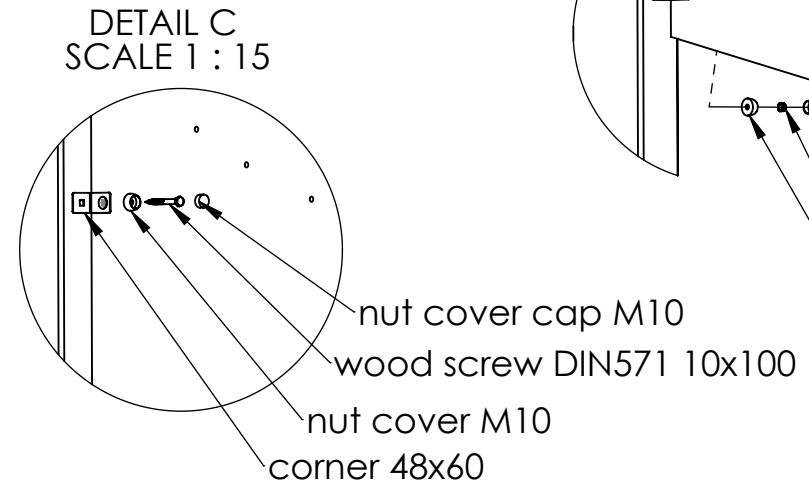
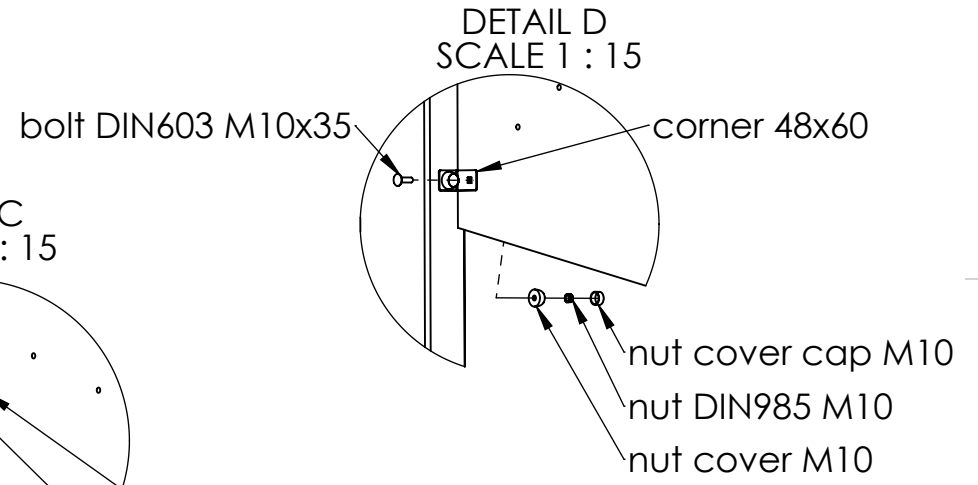
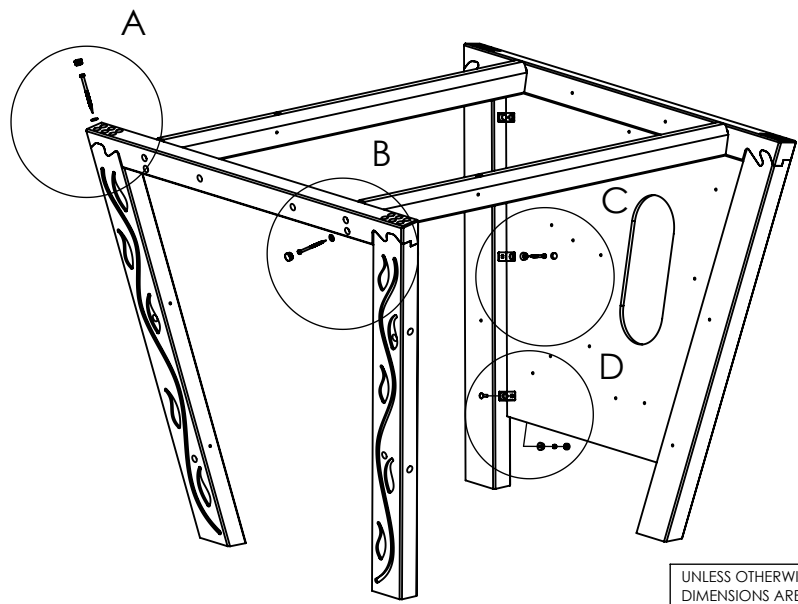
A

A



B

B




C

C

D

D

UNLESS OTHERWISE SPECIFIED: DIMENSIONS ARE IN MILLIMETERS WEIGHT ARE IN KILOGRAMM					PART NUMBER / DWG NO.: AM001	
	NAME	SIGNATURE	DATE	REVISION	DESCRIPTION: AMAZON	
DRAWN	M.Rebase		30.04.2012			
APPV'D						
 Tiptaptap OÜ Tiptaptap OÜ Veetorni 9, Jüri alevik, Rae vald, 75301 Harjumaa					MATERIAL:	wood, metal, plastic
					WEIGHT:	

1 2