

A

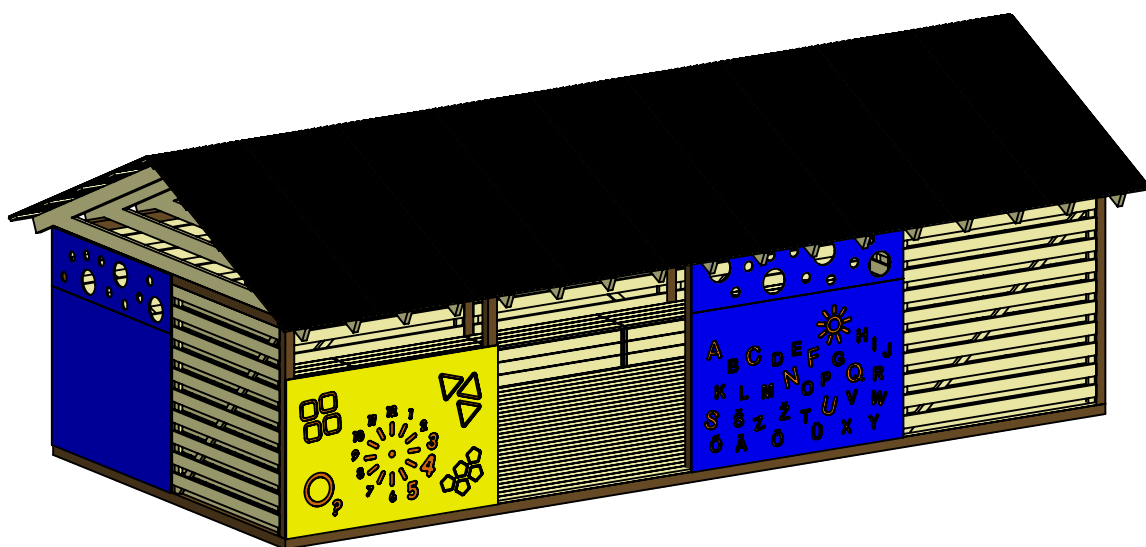
B

C

D

E

F



UNLESS OTHERWISE SPECIFIED:  
DIMENSIONS ARE IN MILLIMETERS  
WEIGHT ARE IN KILOGRAMM

PART NUMBER / DWG NO.:

VP100

	NAME	SIGNATURE	DATE	REVISION
DRAWN	M.Rebase		8.02.2013	
APPV'D				

DESCRIPTION:

SHELTER 4x9 m



**Tiptaptap** OÜ

Tiptaptap OÜ  
Veetorni 9,  
Jüri alevik, Rae vald,  
75301 Harjumaa

MATERIAL:

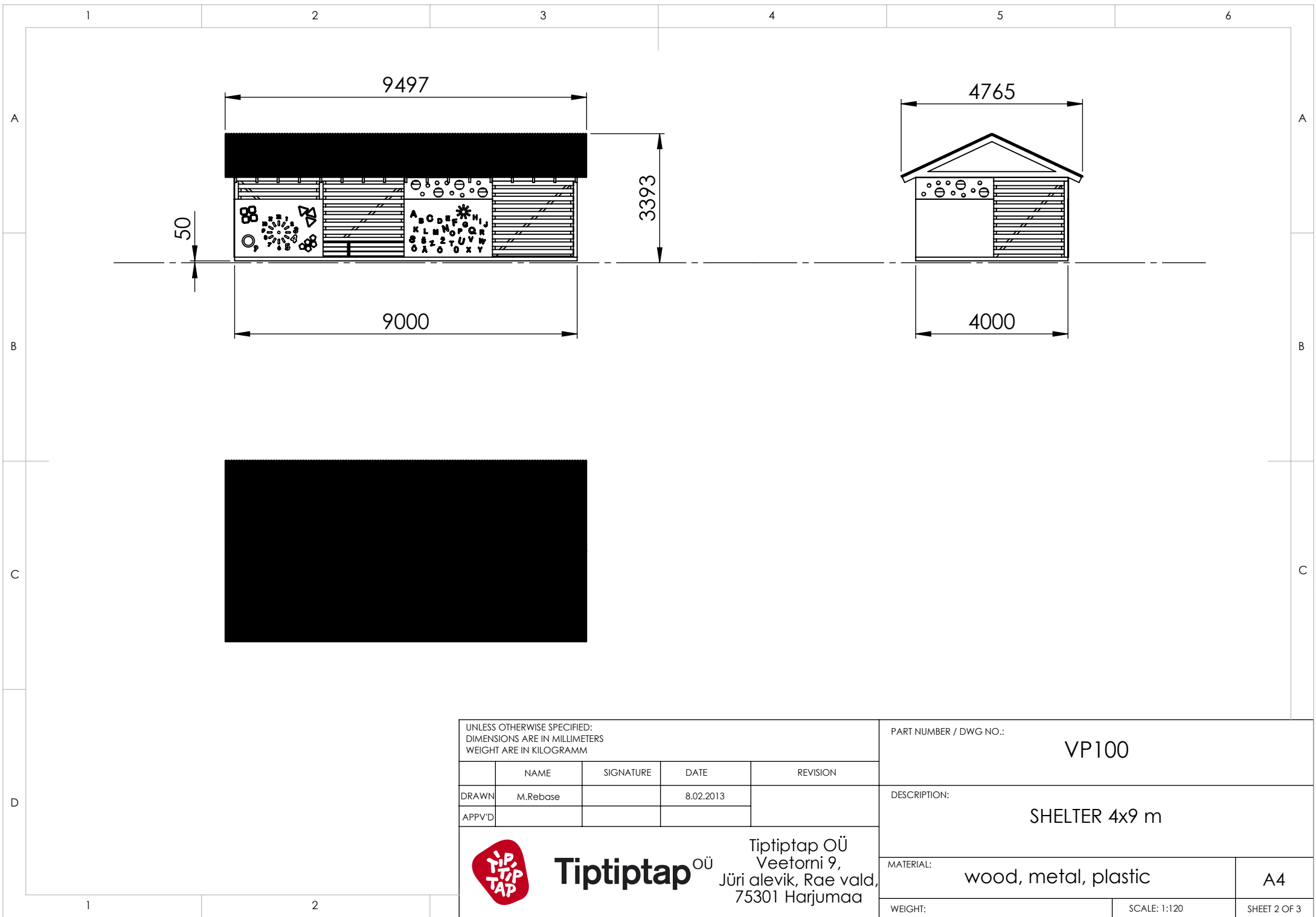
wood, metal, plastic


A4

WEIGHT:

SCALE: 1:70

SHEET 1 OF 3



UNLESS OTHERWISE SPECIFIED: DIMENSIONS ARE IN MILLIMETERS WEIGHT ARE IN KILOGRAMM					PART NUMBER / DWG NO.: <b>VP100</b>	
	NAME	SIGNATURE	DATE	REVISION	DESCRIPTION: <b>SHELTER 4x9 m</b>	
DRAWN	M.Rebase		8.02.2013			
APPV'D						
 <b>Tiptaptap</b> OÜ Tiptaptap OÜ Veetorni 9, Jüri alevik, Rae vald, 75301 Harjumaa					MATERIAL:	wood, metal, plastic
					WEIGHT:	

A

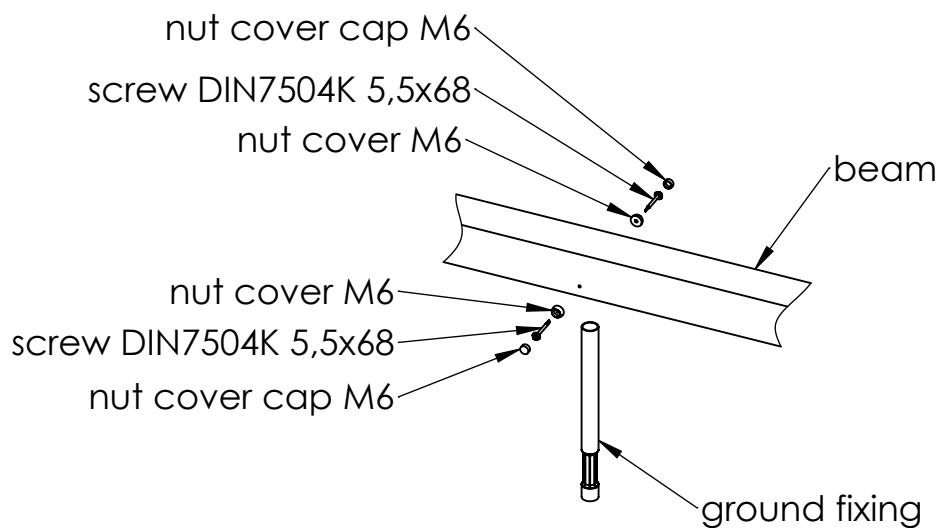
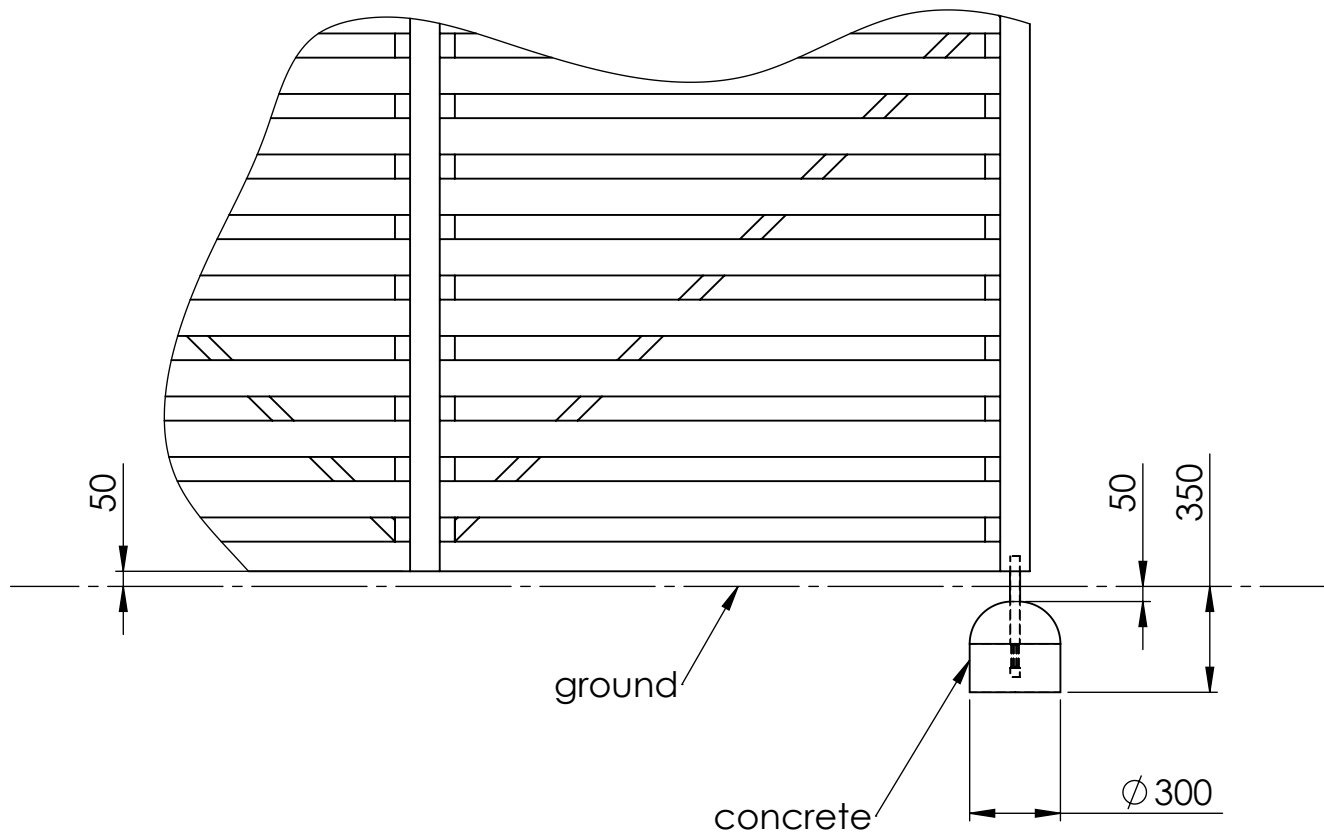
B

C

D

E

F



UNLESS OTHERWISE SPECIFIED:  
DIMENSIONS ARE IN MILLIMETERS  
WEIGHT ARE IN KILOGRAMM

PART NUMBER / DWG NO.:

VP100

	NAME	SIGNATURE	DATE	REVISION
DRAWN	M.Rebase		8.02.2013	
APPV'D				

DESCRIPTION:

SHELTER 4x9 m



**Tiptaptap** OÜ

Tiptaptap OÜ  
Veetorni 9,  
Jüri alevik, Rae vald,  
75301 Harjumaa

MATERIAL:

wood, metal, plastic

A4

WEIGHT:

SCALE: 1:25

SHEET 3 OF 3